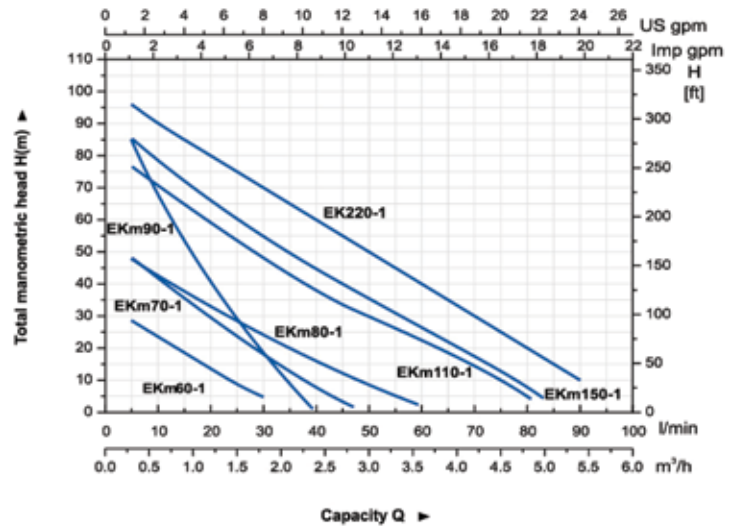


## HYDRAULIC PERFORMANCE CURVE



**EKm**



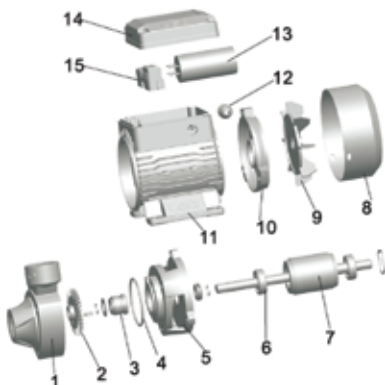
### Pump

- Transfer of clean water or non-aggressive liquid
- Brass impeller
- Special anti-rust treatment for pump body and support
- Max. liquid temperature: +60°C
- Max. suction: +8 m

### Motor

- Copper winding
- Built-in thermal protector for single phase motor
- Insulation class: F
- Protection class: IPX4
- Max. ambient temperature: +40°C

MODEL	POWER		INLET/OUTLET	MAX.FLOW (l/min)	MAX.HEAD (m)	MAX.SUCT (m)
	(kW)	(HP)				
EKm60-1	0.37	0.5	1" x 1"	35	35	8
EKm70-1	0.6	0.8	1" x 1"	50	53	8
EKm80-1	0.75	1.0	1" x 1"	60	62	8
EKm90-1	0.75	1.0	3/4" x 3/4"	35	100	8
EKm110-1	1.1	1.5	1" x 1"	80	85	8
EKm150-1	1.5	2.0	1" x 1"	85	90	8
EKm220-1	2.2	3.0	1" x 1"	90	100	8



Part	Material	Remark
1	Pump body	Cast iron E-coating
2	Impeller	Brass
3	Mechanical seal	Ceramic/Carbon
4	Sealing ring	NBR E-coating
5	Support	Cast iron
6	Bearing	Welded stainless steel shaft
7	Rotor	
8	Fan cover	Iron
9	Fan	PP
10	End plate	Aluminum
11	Stator	Aluminum casting
12	Outlet nozzle	NBR
13	Capacitor	
14	Cover box	ABS
15	Terminal	