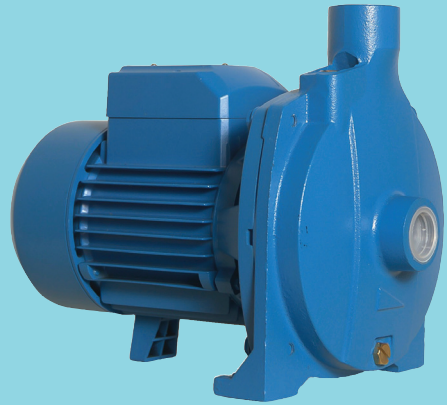


WCM

Single-Staged, Threaded Connection Monoblock Pumps



WCM 1

Features

- Close coupled centrifugal pump
- Maximum liquid temperature: 60°C
- Maximum ambient temperature: 40°C
- IP44 protection, Insulation Class: F
- With thermal overload protection (for 1 phase)

Applications

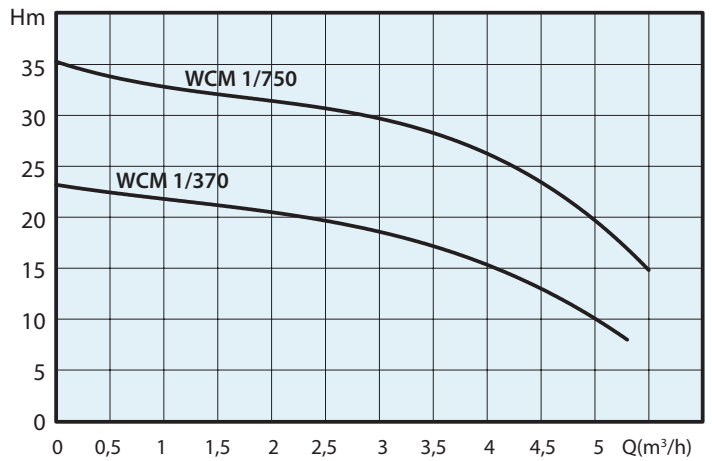
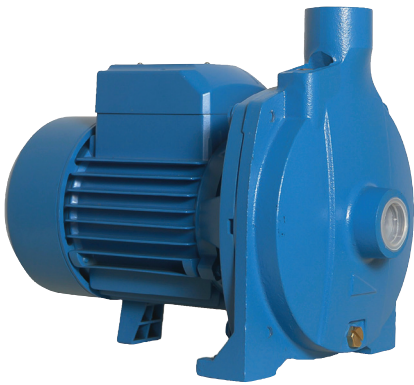
It is for clean liquids without abrasives, suspended solids, explosive, non-aggressive for the pump materials.

It is for small household systems and simple industrial applications, water supply systems, air-conditioning systems, pressure systems, cooling and irrigation systems.

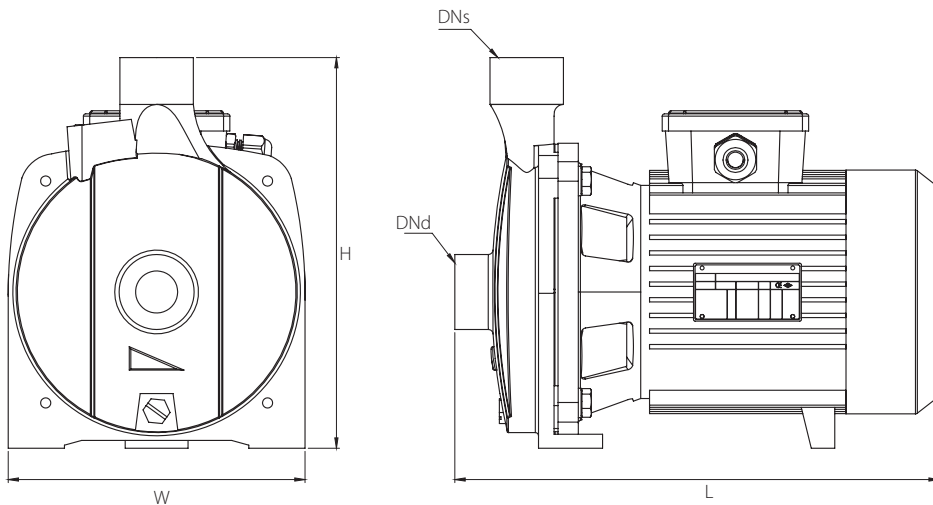
WCM

Single-Stage, Threaded Connection Monoblock Pumps

Performance Table



Type	P2		1 Ph 230 V	Capacitor		l/min Q m³/h	H m															Weight kg
	kW	HP	A	µF	V		0	16,6	33,3	50	58,3	66,6	75	83,3	91,7							
WCM 1/370	0,37	0,5	2,5	10	450	0	1	2	3	3,5	4	4,5	5	5,5	-	9,2						
WCM 1/750	0,75	1	5,5	20	450	0	1	2	3	3,5	4	4,5	5	5,5	15	13						



Part	Material
Pump Body	Cast Iron
Impeller	AISI 304
Mechanical Seal	SIC / Carbon
Support	Aluminum
Rotor	AISI 304
Stator	Aluminum Casting
Cooling Fan	Noryl
Fan Cover	Iron

Model	DNs	DNd	W	L	H
WCM 1/370	1"	1"	250	350	300
WCM 1/750	1"	1"	250	350	300