

# XHC

## Horizontal, Multi-Stage Stainless Steel Pumps



### FEATURES

The horizontal multistage pump XHC has been created with compactness and modularity as two of its central features, making numerous configurations possible. The pump is basically composed of a series of interchangeable seamlessly, no matter what the application.

The XHC pumps are available in AISI304 (DIN 1.4301) Stainless Steel which is for water and non-corrosive liquids and AISI316 (DIN 1.4401) stainless steel which offers a high degree of corrosion protection against aggressive liquids.

- Compact design
- Pump and motor are integrated in a compact and user-friendly design.
- The pump is fitted to a low-profile base plate, making it ideal for installation in systems where compactness is important.
- High Efficiency
- Modular construction/customized solutions: The modular construction of the XHC pumps make it easy to create many different variants based on standard factory parts. This means that it is possible to create pump variants that are customized for the application in question.
- Worldwide usage
- With different voltage and frequency combinations, XHC product ranges cover markets worldwide.
- High reliability
- Wide performance range
- Low noise level
- High performance hydraulics
- Horizontal construction, a threaded inlet and outlet for standard installation.
- Wet end of pump are made in stainless steel AISI304 or AISI316
- Thermal protection for single phase motor
- Maximum liquid temperature 110°C
- Installation class: F, IP55 protection
- Shaft seal is mechanical seal, different friction couples will be selected for different medium.
- Mechanical Seal: SIC/SIC-EPDM



### APPLICATION

The XHC pumps are designed to cover a wide variety of applications, ranging from small domestic installations to large industrial systems. The pumps are therefore suitable for a wide diversity of pumping systems where the performance and material of the pump must meet specific demands.

#### WASHING & CLEANING

- Degreasing and washing of production equipment in industrial environments such as the food and beverage industry.
- Washing machines
- Vehicle washing tunnels
- Mobile washing units
- Units for CIP (Cleaning In Place)

#### WATER TREATMENT

- Nano, micro and ultra-filtration systems
- Softening, ionizing, demineralizing systems
- Desalination systems
- Distillation systems
- Separators
- Swimming baths

#### TEMPERATURE CONTROL

- Electronic data processing
- Laser equipment
- Medical equipment
- Industrial refrigeration
- Heating and cooling in industrial processes
- Moisturizing and humidifying

#### PRESSURE BOOSTERING

- Pressure boosting and transfer of drinking water
- Process water systems

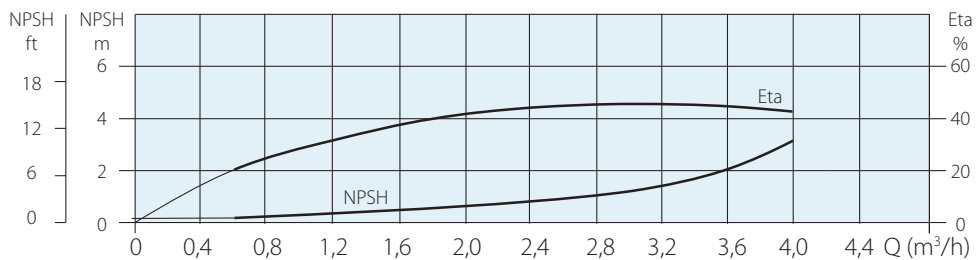
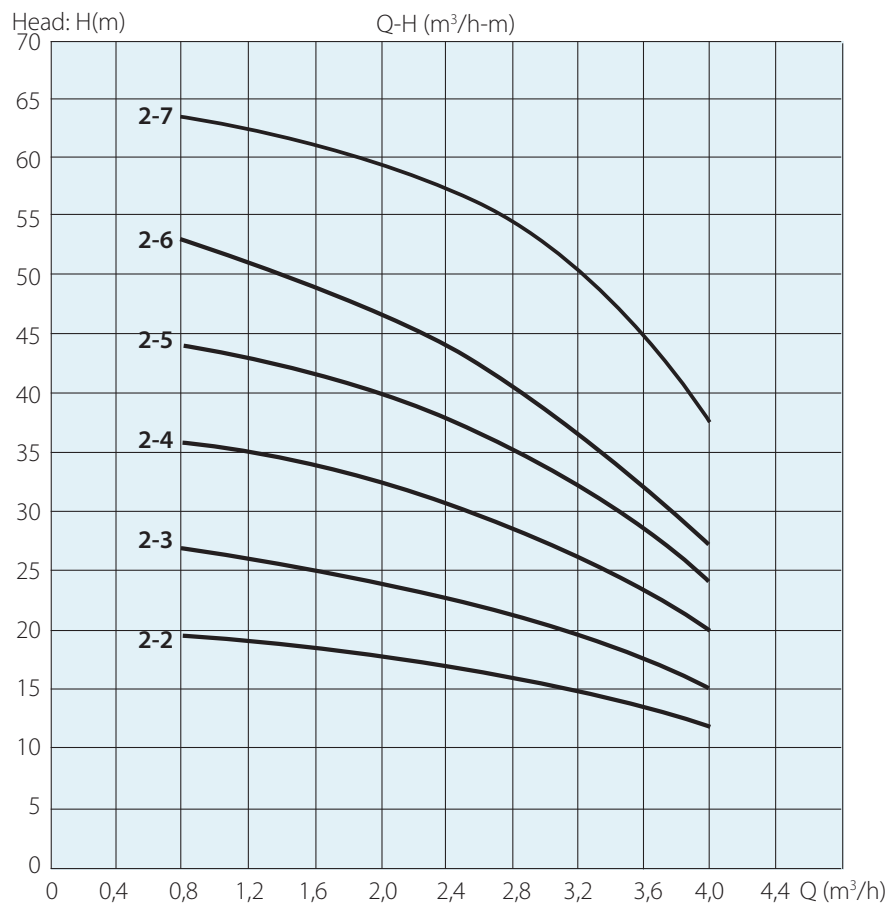
#### OTHER APPLICATIONS

- Distilling systems
- Dosing and mixing
- Evaporation
- Comprised machinery
- Chemical industry
- Pharmaceutical industry

# XHC

## Horizontal, Multi-Staged Stainless Steel Pumps

### XHC 2

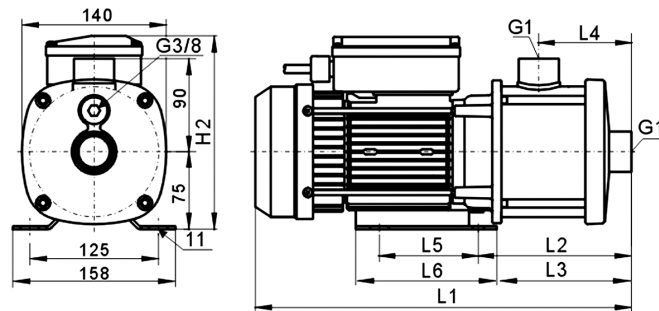


Type	P2		1 PH	3 PH	I/min	13	20	26	33	40	46	53	60	66
	kW	HP	230 V	400 V		Q m³/h	0,8	1,2	1,6	2	2,4	2,8	3,2	3,6
XHC 2-2	0,25	0,3	2	0,7	H m	19,5	19	18,5	18	17	16,5	14,5	13,5	12
XHC 2-3	0,37	0,5	2,4	1		27	26	25	24	23	22	20	17	15
XHC 2-4	0,55	0,75	3,8	1,4		36	35	34	32	31	29	27	23	20
XHC 2-5	0,55	0,75	3,8	1,4		44	43	42	40	38	36	33	28,5	24
XHC 2-6	0,75	1	5,2	1,8		53	51,5	49	47	44	41	37	32	27
XHC 2-7	1	1,36	6,2	2,4		64	63	60,2	59	56	52	48	44	36

# XHC

## Horizontal, Multi-Stage Stainless Steel Pumps

### XHC 2



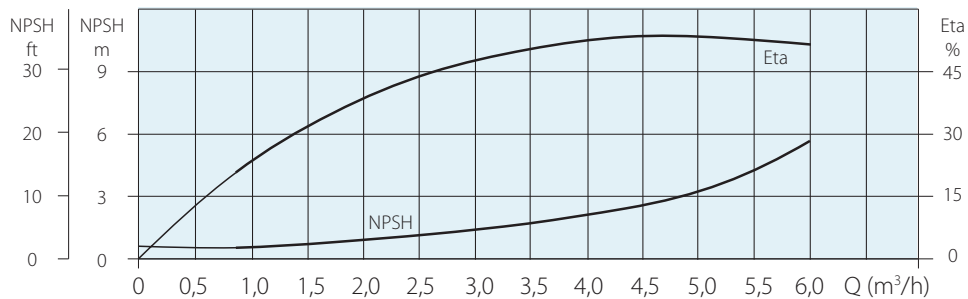
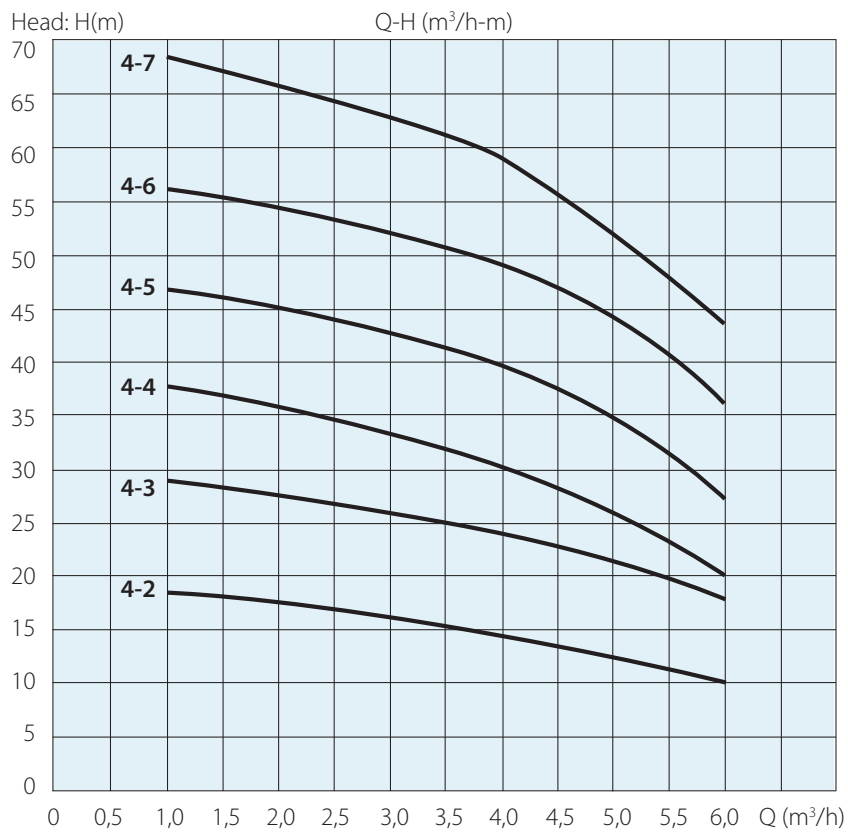
Model	Size							
	Single Phase	Three Phase	L1	L2	L3	L4	L5	L6
	H2							
XHC 2-2	187	174	318	131	113	72	96	136
XHC 2-3	187	174	318	131	113	72	96	136
XHC 2-4	187	174	365	149	131	90	96	136
XHC 2-5	187	174	383	167	143	108	96	136
XHC 2-6	200	188	416	203	179	144	96	155
XHC 2-7	200	188	416	203	179	144	96	155

PART	MATERIAL
Pump Body	AISI 304/AISI 316
Impeller	AISI 304/AISI 316
Shaft	AISI 304/AISI 316
Mechanical Seal	SIC/SIC/EPDM

# XHC

## Horizontal, Multi-Staged Stainless Steel Pumps

### XHC 4

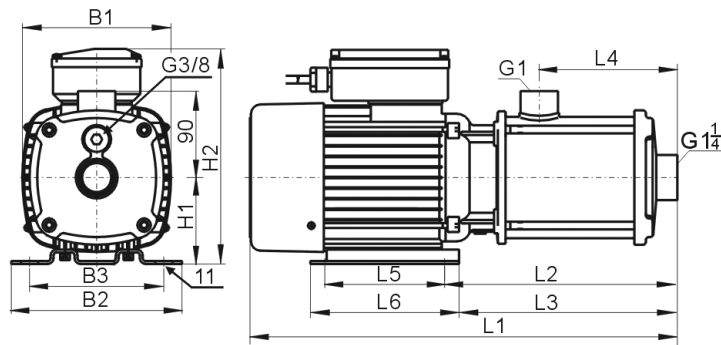


Type	P2		1 PH 230 V	3 PH 400 V	l/min Q m³/h	16	25	33	41	50	58	66	75	83	91	100
	kW	HP	A	A		1	1,5	2	2,5	3	3,5	4	4,5	5	5,5	6
XHC 4-2	0,37	0,5	2,4	1	H m	18,5	18	17,5	17	16	15,5	15	13,5	13	11	10
XHC 4-3	0,55	0,75	3,8	1,4		29	28,5	28	27	26,5	25,5	25	23	22	20	18
XHC 4-4	0,75	1	5,2	1,8		38	37	36	34,5	33,5	32	30	28	26	24	20
XHC 4-5	1,0	1,36	6,2	2,4		47	46	45	44	42,5	41	40	38	35	32	27
XHC 4-6	1,3	1,7	8,4	3,1		56,5	55	54	53	52,5	51	49	47	44	41	36
XHC 4-7	1,5	2	9,2	3,5		68	66	65	64	63	60	58	55	52	47	42

# XHC

## Horizontal, Multi-Stage Stainless Steel Pumps

### XHC 4



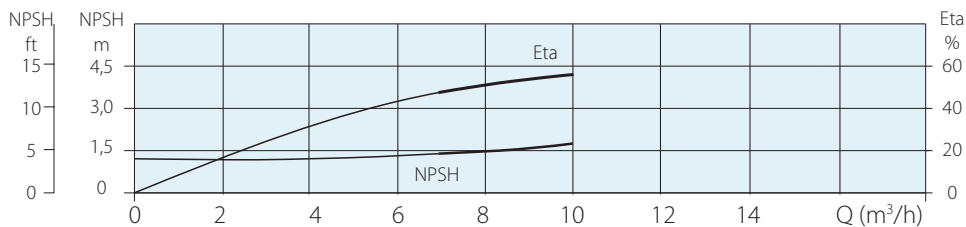
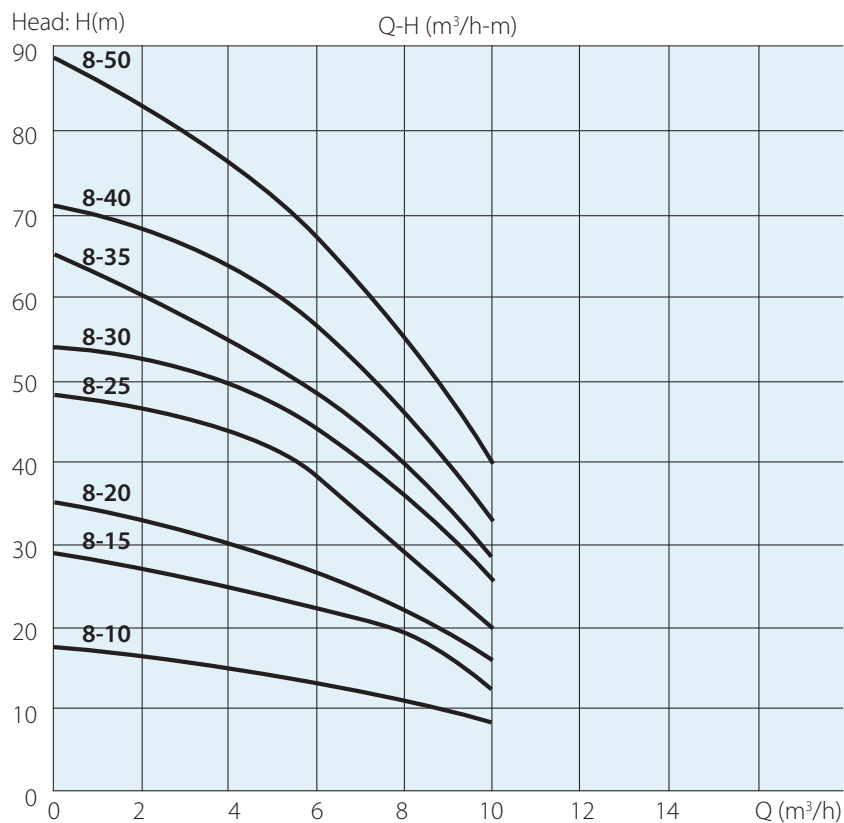
Model	SIZE											
	B1	B2	B3	H1	SINGLE PHASE	THREE PHASE	L1	L2	L3	L4	L5	L6
					H2							
XHC 4-2	140	158	125	75	187	174	318	131	113	72	96	136
XHC 4-3	140	158	125	75	187	174	347	131	113	72	96	136
XHC 4-4	140	158	125	75	200	188	362	149	125	90	96	155
XHC 4-5	140	158	140	75	200	188	380	167	143	108	96	155
XHC 4-6	155	178	125	90	224	211	446	243	228	144	125	155
XHC 4-7	155	178	125	90	224	211	446	243	228	144	125	155

PART	MATERIAL
Pump Body	AISI 304/AISI 316
Impeller	AISI 304/AISI 316
Shaft	AISI 304/AISI 316
Mechanical Seal	SIC/SIC/EPDM

# XHC

## Horizontal, Multi-Staged Stainless Steel Pumps

### XHC 8

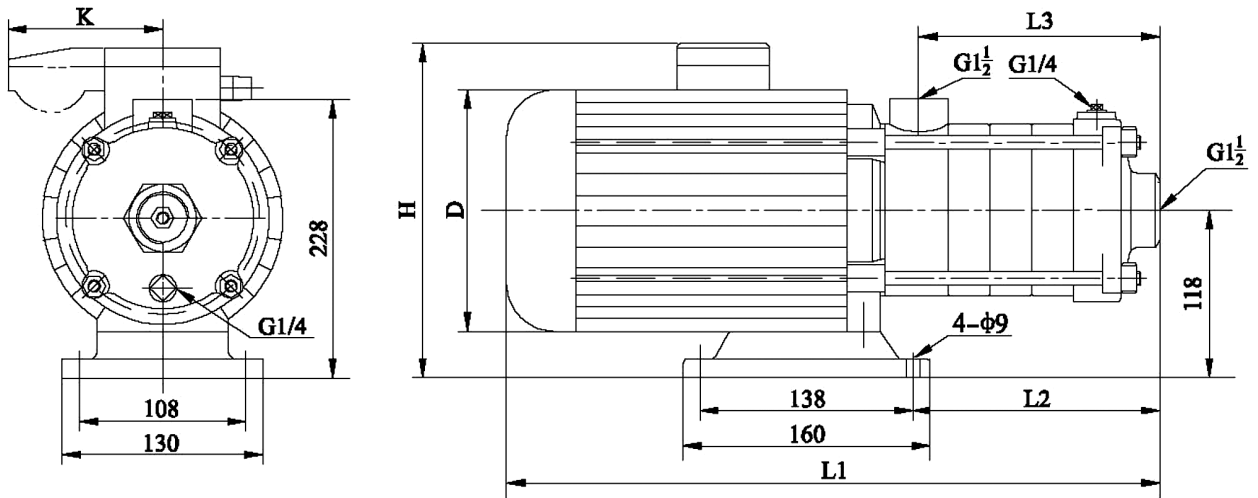


Type	P2		1 PH 230 V	3 PH 400 V	l/min Q m³/h	66	83	100	116	133	150	166
	kW	HP	A	A		4	5	6	7	8	9	10
XHC 8-10	0,55	0,75	3,8	1,4	H m	15	14	13	12,5	12	9	8
XHC 8-15	0,75	1	5,2	1,8		25	23	22	21	20	14	12
XHC 8-20	1	1,3	6,2	2,4		32	29	27	25	24	21	17
XHC 8-25	1,5	2	9,2	3,5		43	40	38	34	27	25	20
XHC 8-30	1,85	2,5	13	4,1		50	46	44	40	36	30	26
XHC 8-35	2,2	3	14	4,9		56	51	48	44	43	35	28
XHC 8-40	2,2	3	14	4,9		65	57,5	57	50	48	42	34
XHC 8-50	3	4	-	6,3		78	73	67	62	55	47	40

# XHC

## Horizontal, Multi-Stage Stainless Steel Pumps

### XHC 8



Model	Size						Weight(kg)
	L1	L2	L3	D	H	K	
XHC 8-10	395	126	108	170	230/265	/100	20
XHC 8-15	395	126	108	170	230/265	/100	20
XHC 8-20	395	126	108	170	230/265	/100	20
XHC 8-25	395	126	108	170	230/265	/100	20
XHC 8-30	425	156	138	170	230/265	/100	25
XHC 8-35	425	156	138	170	230/265	/100	25
XHC 8-40	490	186	168	180	240/270	/100	28
XHC 8-50	490	186	168	180	240/270	/100	28

PART	MATERIAL
Pump Body	AISI 304/AISI 316
Impeller	AISI 304/AISI 316
Shaft	AISI 304/AISI 316
Mechanical Seal	SIC/SIC/EPDM