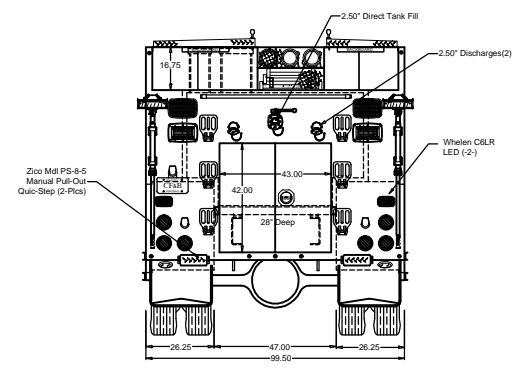
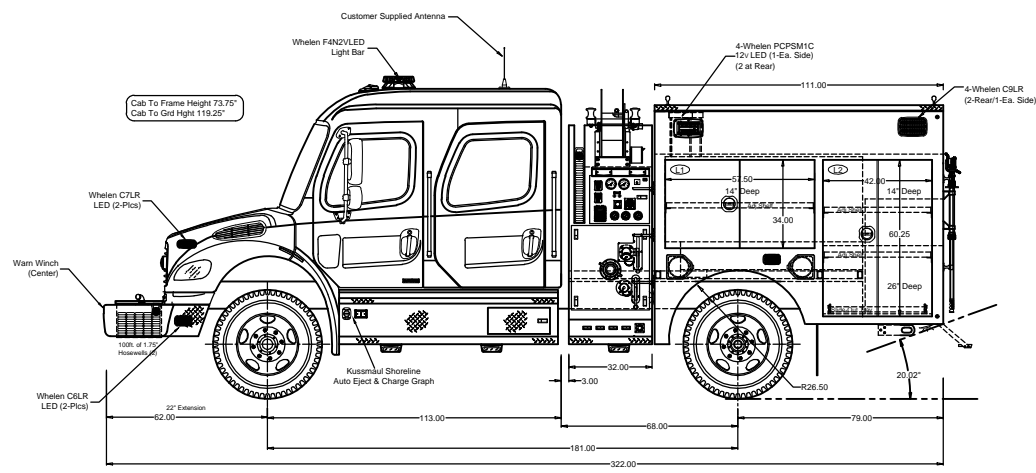
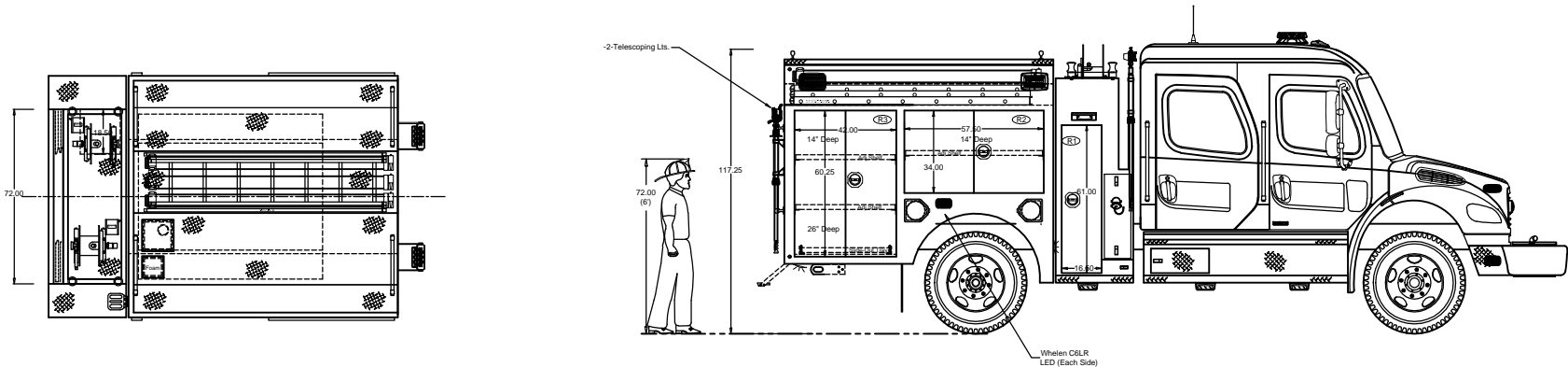


Frame height is based on the best available data. CUSTOM FAB & BODY LLC shall not be held responsible for changes made by the chassis manufacturer that affect the suspension or the noted height of frame.



Dimensions shown are approximate and may be subject to minor deviations that occur during construction. We reserve the right to make minor Dimensional, Design, & Component changes for Quality Enhancement. Minor spec details not shown. In the event of a discrepancy between the worded specification and this drawing, the written document will retain precedence.

Customer Approval: Name \_\_\_\_\_ Title \_\_\_\_\_ Date \_\_\_\_\_ Paint No. \_\_\_\_\_

TANK CAPACITIES  
Water: 750 GALS.  
Foam: 20 GALS.  
(All Calculations Are Estimates Only, And Are Based On The Best Available Data)

W.S. Darley HM 750-GPM PTO Pump  
FoamPro 1600 Class A Foam Proportioning System

RESTRICTIONS	
None	Maximum Height
None	Maximum Length
102"	Body Width

FREIGHTLINER M2-106 4x4 Crew Cab	
<b>CFB</b> CUSTOM FAB & BODY, LLC	
158 US HWY 45 MARICOPA, AZ 85305 715-754-5336 FAX 715-754-2903	JAW
750 Gal. Side-Mount Urban Interface	
Oatman Fire District Oatman, AZ.	1235

These Drawings and Specifications are the sole property of CUSTOM FAB & BODY LLC and shall not be reproduced, or copied, or used as the basis for the manufacture or sale of units described herein without Written Permission.