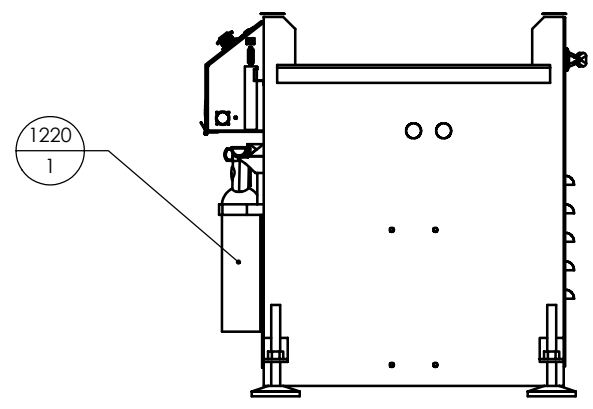
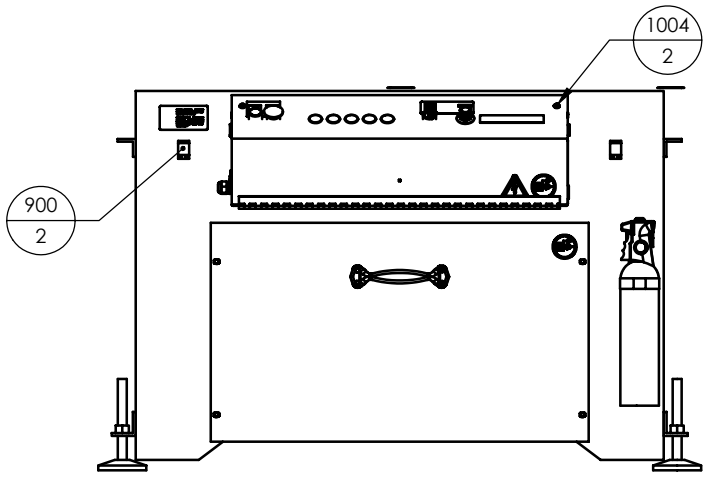
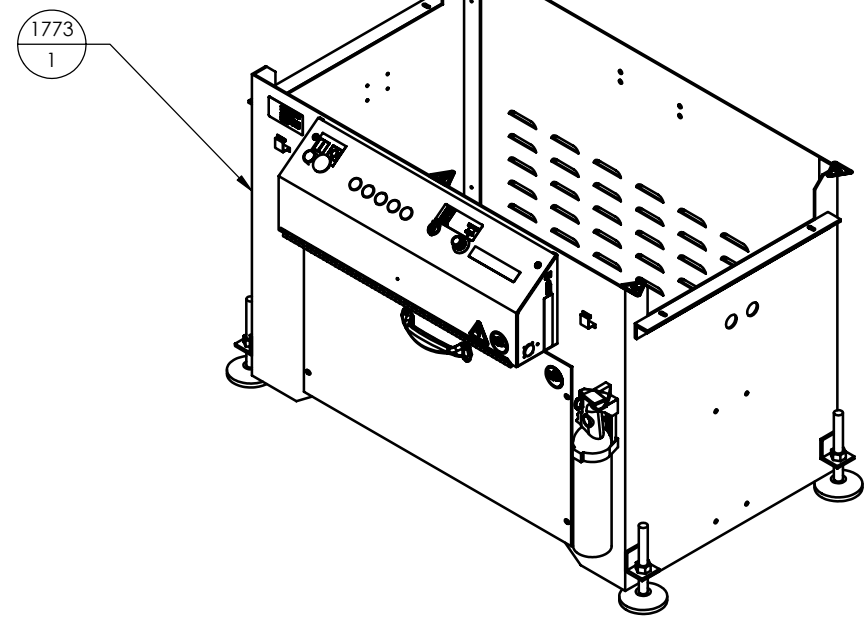
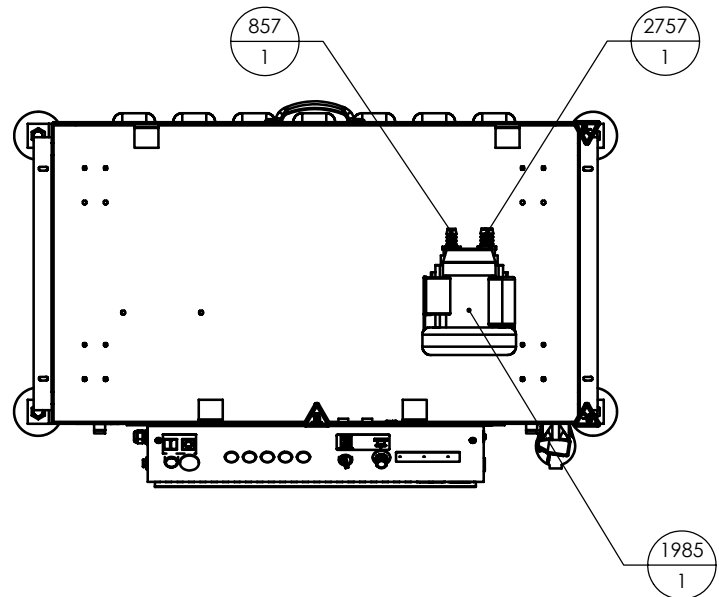


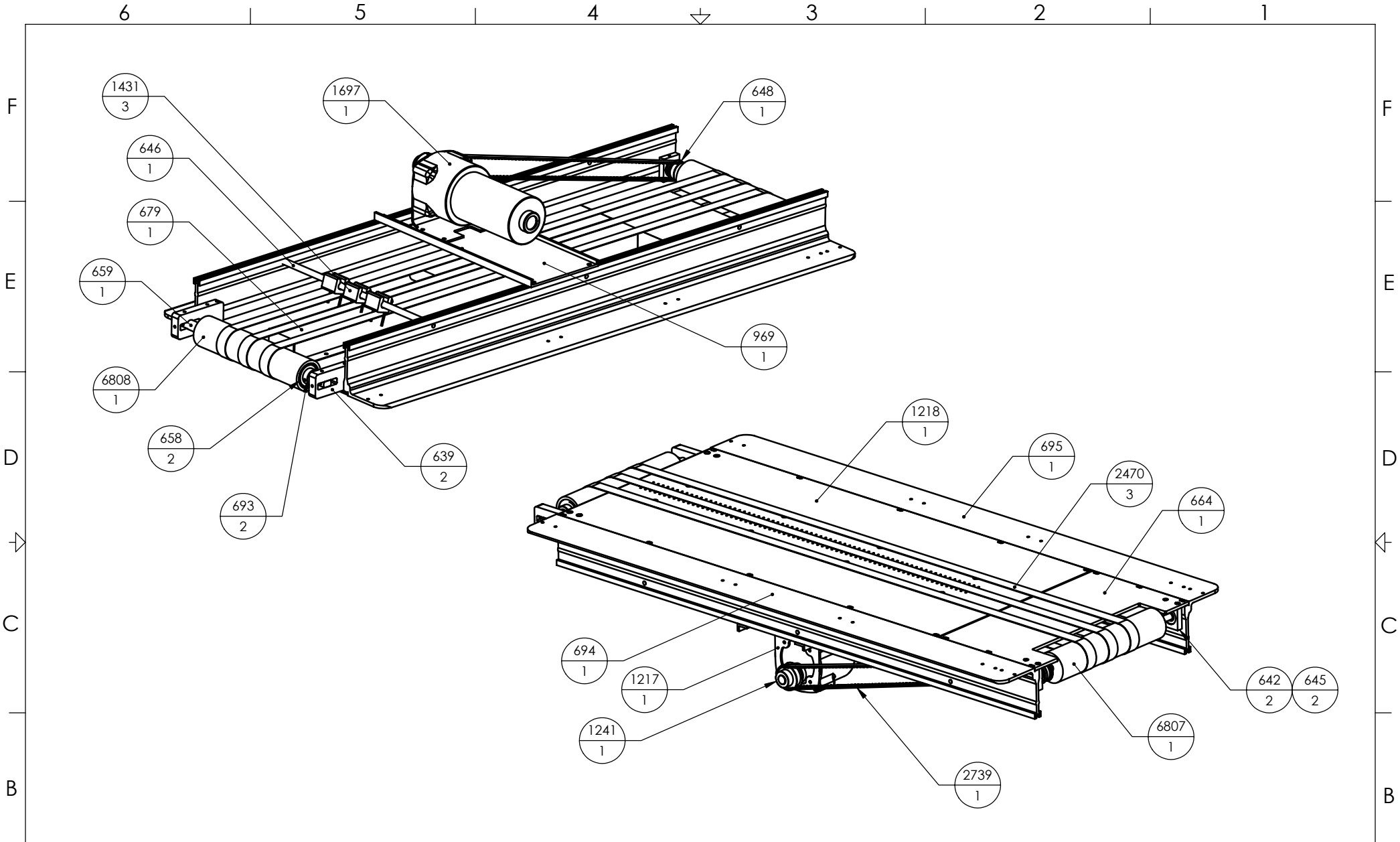
6 5 4 3 2 1

F
E
D
C
B
A



<p>Rheological Solutions, Inc. 8101 Cessna Avenue Gaithersburg, MD 20879-4164 Phone (301) 963-7157 Fax (301) 990-3155</p> <p>THIS DRAWING AND INFORMATION CONTAINED IN THIS DRAWING ARE CONFIDENTIAL PROPERTY OF RHEOLOGICAL SOLUTIONS, INC. NO PART OF THIS DRAWING OR ANY INFORMATION CONTAINED IN THIS DRAWING MAY BE REPRODUCED OR TRANSFERRED BY ANY MEANS WITHOUT PERMISSION IN WRITING FROM RHEOLOGICAL SOLUTIONS, INC.</p>		ALL DIMENSIONS IN INCHES				DESCRIPTION DRYER BASE ASSEMBLY (SLAVE BASE v3)				
		TOLERANCE UNLESS OTHERWISE SPECIFIED				MATERIAL				
		.XXX = ±.005				FINISH				
		.XX = ±.015				DRAWING NO. 40658		REV. 1	PART NUMBER 2609	
ANGLE = ±1/2°		DIMENSIONAL LIMITS APPLY BEFORE PLATING INTERPRET PER ANSI Y14.5M-1982		1	REDRAW	BJB	5/22/03	B. Bradford	11/13/02	SIZE C
				REV	DESCRIPTION	APPR.	DATE	DO NOT SCALE	SHEET 1 OF 9	

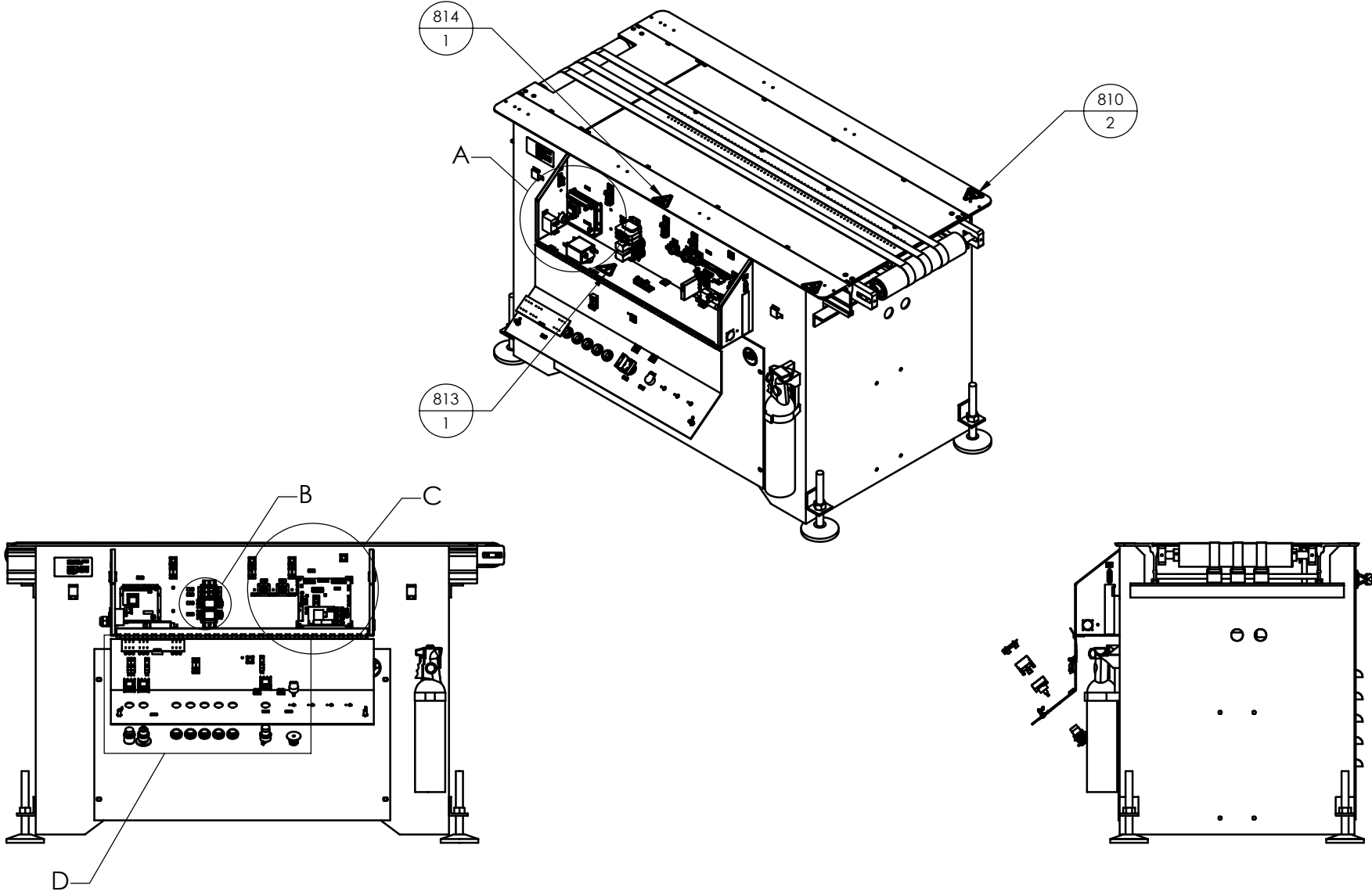
6 5 4 3 2 1



<p>Rheological Solutions, Inc. 8101 Cessna Avenue Gaithersburg, MD 20879-4164 Phone (301) 963-7157 Fax (301) 990-3155</p> <p>THIS DRAWING AND INFORMATION CONTAINED IN THIS DRAWING ARE CONFIDENTIAL PROPERTY OF RHEOLOGICAL SOLUTIONS, INC. NO PART OF THIS DRAWING OR ANY INFORMATION CONTAINED IN THIS DRAWING MAY BE REPRODUCED OR TRANSFERRED BY ANY MEANS WITHOUT PERMISSION IN WRITING FROM RHEOLOGICAL SOLUTIONS, INC.</p>	ALL DIMENSIONS IN INCHES					DESCRIPTION		DRYER BASE ASSEMBLY (SLAVE BASE v3)	
	TOLERANCE UNLESS OTHERWISE SPECIFIED					MATERIAL			
	.XXX = ±.005					FINISH			
	.XX = ±.015					DRAWING NO.	REV.	PART NUMBER	
	ANGLE = ±1/2°					40658	1	2609	
DIMENSIONAL LIMITS APPLY BEFORE PLATING INTERPRET PER ANSI Y14.5M-1982					DRAWN BY		DATE		SIZE
	REV	DESCRIPTION	APPR.	DATE	DO NOT SCALE		SHEET 2 OF 9		C
					B. Bradford		11/13/02		

6 5 4 3 2 1

F
E
D
C
B
A



ALL DIMENSIONS
IN INCHES

TOLERANCE UNLESS
OTHERWISE SPECIFIED

.XXX = ±.005

.XX = ±.015

ANGLE = ±1/2°

Rheological Solutions, Inc.
8101 Cessna Avenue
Gaithersburg, MD 20879-4164
Phone (301) 963-7157 Fax (301) 990-3155

THIS DRAWING AND INFORMATION CONTAINED
IN THIS DRAWING ARE CONFIDENTIAL PROPERTY
OF RHEOLOGICAL SOLUTIONS, INC. NO PART OF
THIS DRAWING OR ANY INFORMATION CONTAINED
IN THIS DRAWING MAY BE REPRODUCED OR
TRANSFERRED BY ANY MEANS WITHOUT PERMISSION
IN WRITING FROM RHEOLOGICAL SOLUTIONS, INC.

DIMENSIONAL LIMITS
APPLY BEFORE PLATING
INTERPRET PER ANSI
Y14.5M-1982

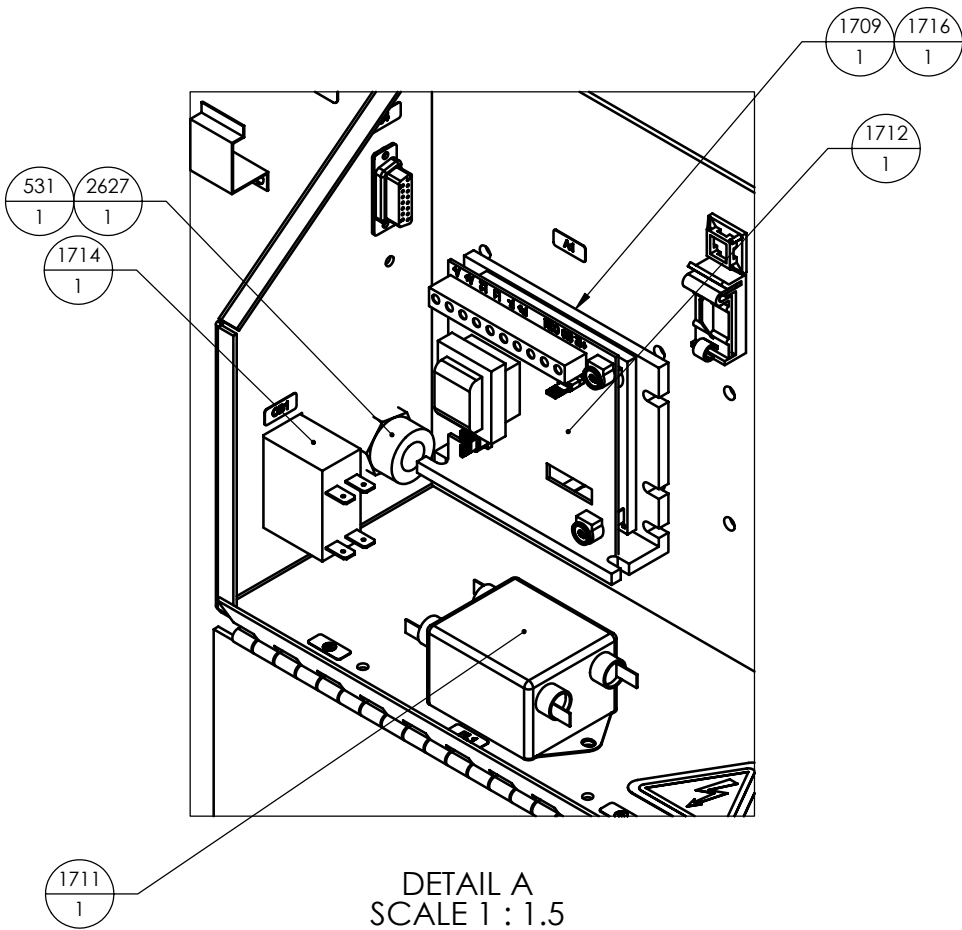
DESCRIPTION		DRYER BASE ASSEMBLY (SLAVE BASE v3)	
MATERIAL			
FINISH			
DRAWING NO.	REV.	PART NUMBER	
40658	1	2609	
DRAWN BY		DATE	
B. Bradford		11/13/02	
DO NOT SCALE		SHEET 3 OF 9	

F
E
D
C
B
A

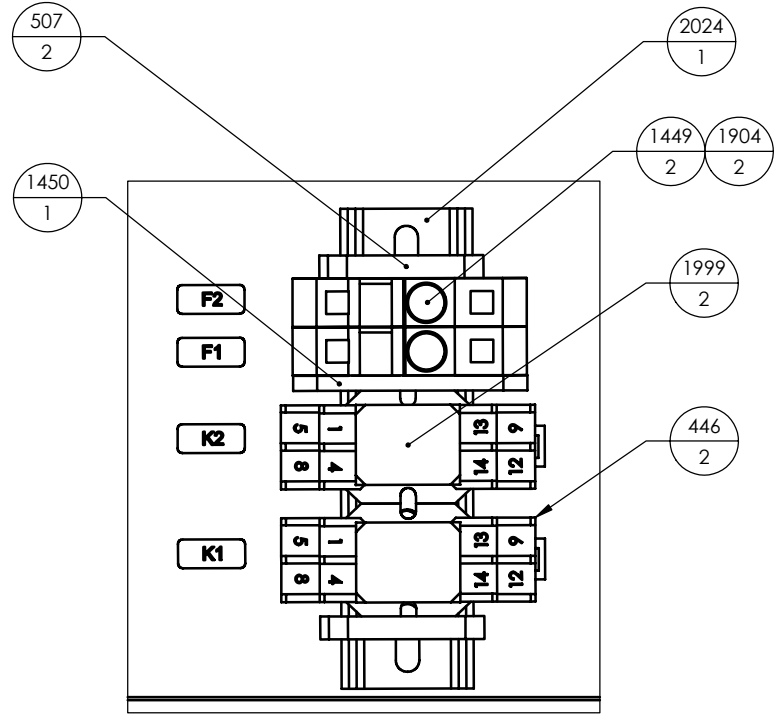
6 5 4 3 2 1

6 5 4 3 2 1

F
E
D
C
B
A



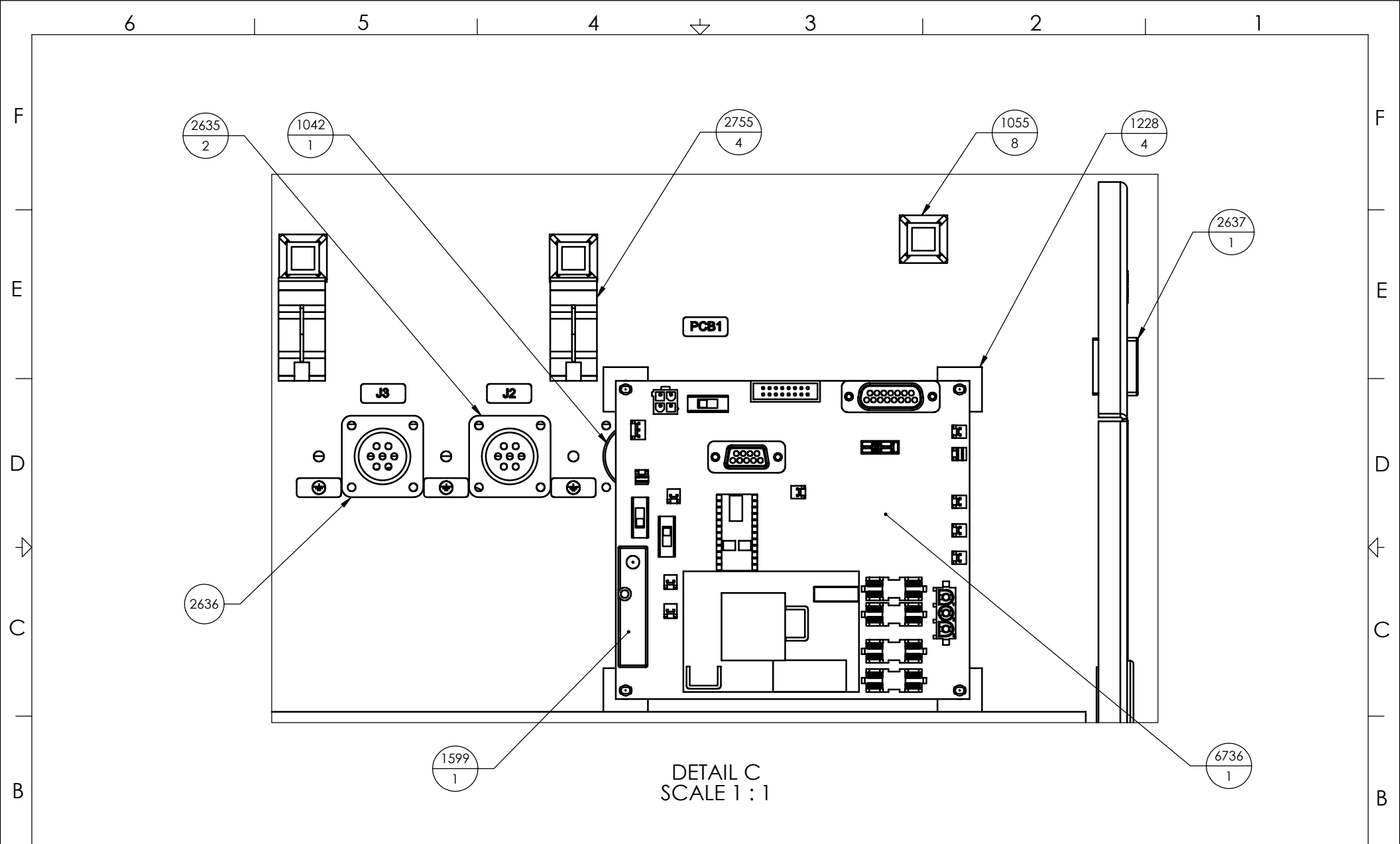
DETAIL A
SCALE 1 : 1.5



DETAIL B
SCALE 1 : 1

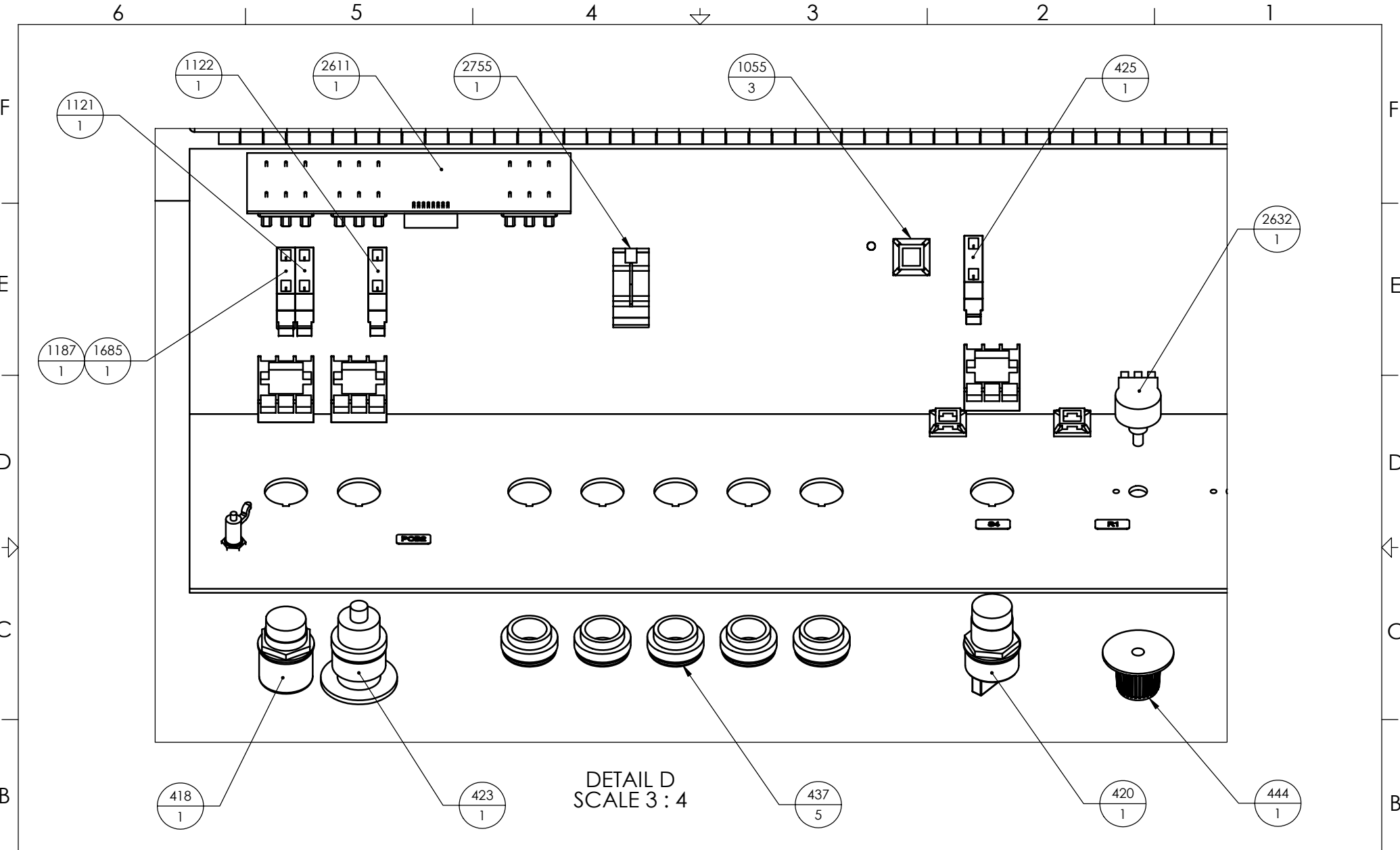
Rheological Solutions, Inc. 8101 Cessna Avenue Gaithersburg, MD 20879-4164 Phone (301) 963-7157 Fax (301) 990-3155 THIS DRAWING AND INFORMATION CONTAINED IN THIS DRAWING ARE CONFIDENTIAL PROPERTY OF RHEOLOGICAL SOLUTIONS, INC. NO PART OF THIS DRAWING OR ANY INFORMATION CONTAINED IN THIS DRAWING MAY BE REPRODUCED OR TRANSFERRED BY ANY MEANS WITHOUT PERMISSION IN WRITING FROM RHEOLOGICAL SOLUTIONS, INC.	ALL DIMENSIONS IN INCHES				DESCRIPTION DRYER BASE ASSEMBLY (SLAVE BASE v3)		
	TOLERANCE UNLESS OTHERWISE SPECIFIED				MATERIAL		
	.XXX = ±.005				FINISH		
	.XX = ±.015				DRAWING NO. 40658	REV. 1	PART NUMBER 2609
	ANGLE = ±1/2°				DRAWN BY B. Bradford	DATE 11/13/02	SIZE C
	DIMENSIONAL LIMITS APPLY BEFORE PLATING INTERPRET PER ANSI Y14.5M-1982	REV	DESCRIPTION	APPR.	DATE	DO NOT SCALE	SHEET 4 OF 9

6 5 4 3 2 1



DETAIL C
SCALE 1:1

<p>Rheological Solutions, Inc. 8101 Cessna Avenue Gaithersburg, MD 20879-4164 Phone (301) 963-7157 Fax (301) 990-3155</p> <p>THIS DRAWING AND INFORMATION CONTAINED IN THIS DRAWING ARE CONFIDENTIAL PROPERTY OF RHEOLOGICAL SOLUTIONS, INC. NO PART OF THIS DRAWING OR ANY INFORMATION CONTAINED IN THIS DRAWING MAY BE REPRODUCED OR TRANSFERRED BY ANY MEANS WITHOUT PERMISSION IN WRITING FROM RHEOLOGICAL SOLUTIONS, INC.</p>	<p>ALL DIMENSIONS IN INCHES</p> <p>TOLERANCE UNLESS OTHERWISE SPECIFIED</p> <p>.XXX = ±.005</p> <p>.XX = ±.015</p> <p>ANGLE = ±1/2°</p>					<p>DESCRIPTION DRYER BASE ASSEMBLY (SLAVE BASE v3)</p>		
						<p>MATERIAL</p>		
						<p>FINISH</p>		
						<p>DRAWING NO. 40658</p>	<p>REV. 1</p>	<p>PART NUMBER 2609</p>
						<p>DRAWN BY B. Bradford</p>	<p>DATE 11/13/02</p>	<p>SIZE C</p>
REV	DESCRIPTION	APPR.	DATE	DO NOT SCALE	SHEET 5 OF 9			

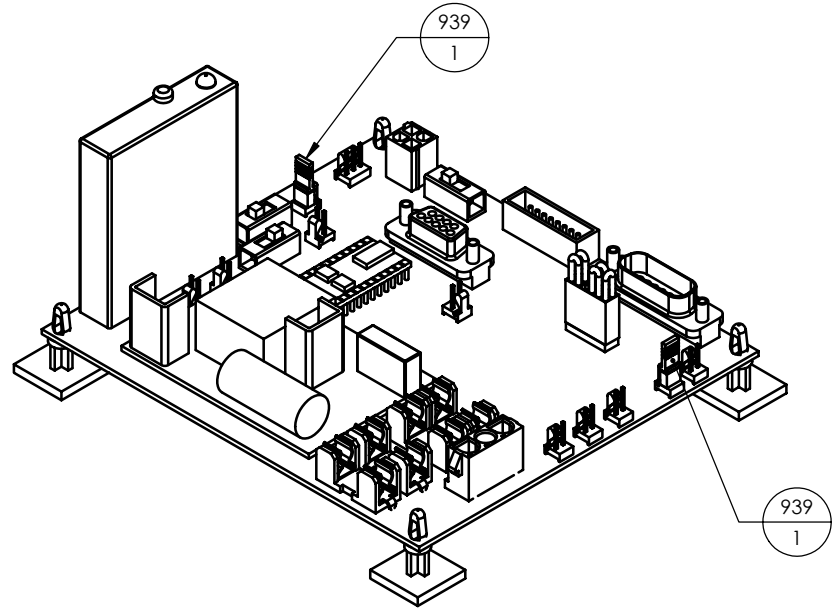


DETAIL D
SCALE 3 : 4

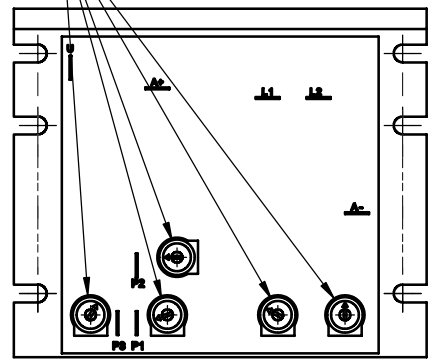
<p>Rheological Solutions, Inc. 8101 Cessna Avenue Gaithersburg, MD 20879-4164 Phone (301) 963-7157 Fax (301) 990-3155</p> <p>THIS DRAWING AND INFORMATION CONTAINED IN THIS DRAWING ARE CONFIDENTIAL PROPERTY OF RHEOLOGICAL SOLUTIONS, INC. NO PART OF THIS DRAWING OR ANY INFORMATION CONTAINED IN THIS DRAWING MAY BE REPRODUCED OR TRANSFERRED BY ANY MEANS WITHOUT PERMISSION IN WRITING FROM RHEOLOGICAL SOLUTIONS, INC.</p>	ALL DIMENSIONS IN INCHES				DESCRIPTION	DRYER BASE ASSEMBLY (SLAVE BASE v3)		
	TOLERANCE UNLESS OTHERWISE SPECIFIED				MATERIAL			
	.XXX = ±.005				FINISH			
	.XX = ±.015				DRAWING NO.	REV.	PART NUMBER	
	ANGLE = ±1/2°				40658	1	2609	
DIMENSIONAL LIMITS APPLY BEFORE PLATING INTERPRET PER ANSI Y14.5M-1982				DRAWN BY		DATE	SIZE	
	REV.	DESCRIPTION	APPR.	DATE	DO NOT SCALE		SHEET 6 OF 9	
							C	

6 5 4 3 2 1

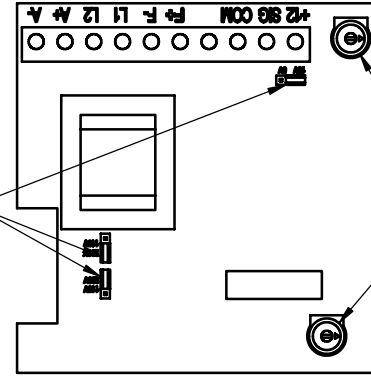
F
E
D
C
B
A



SET ADJUSTMENTS AS SHOWN



POSITION JUMPERS AS SHOWN



SET ADJUSTMENTS AS SHOWN



Rheological Solutions, Inc.
8101 Cessna Avenue
Gaithersburg, MD 20879-4164
Phone (301) 963-7157 Fax (301) 990-3155

ALL DIMENSIONS IN INCHES
TOLERANCE UNLESS OTHERWISE SPECIFIED
.XXX = ±.005
.XX = ±.015
ANGLE = ±1/2°

THIS DRAWING AND INFORMATION CONTAINED IN THIS DRAWING ARE CONFIDENTIAL PROPERTY OF RHEOLOGICAL SOLUTIONS, INC. NO PART OF THIS DRAWING OR ANY INFORMATION CONTAINED IN THIS DRAWING MAY BE REPRODUCED OR TRANSFERRED BY ANY MEANS WITHOUT PERMISSION IN WRITING FROM RHEOLOGICAL SOLUTIONS, INC.

DIMENSIONAL LIMITS APPLY BEFORE PLATING INTERPRET PER ANSI Y14.5M-1982

DESCRIPTION		DRYER BASE ASSEMBLY (SLAVE BASE v3)		
MATERIAL				
FINISH				
DRAWING NO.	REV.	PART NUMBER		
40658	1	2609		
DRAWN BY		DATE		SIZE
B. Bradford		11/13/02		C

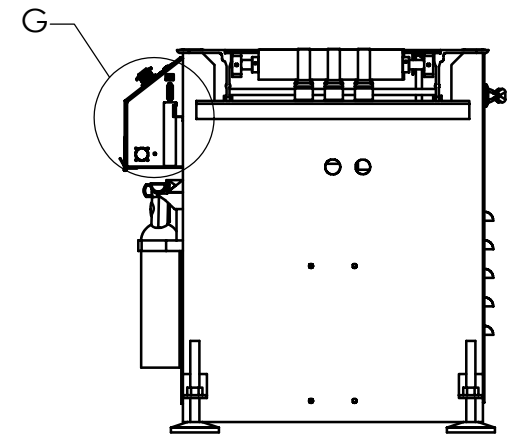
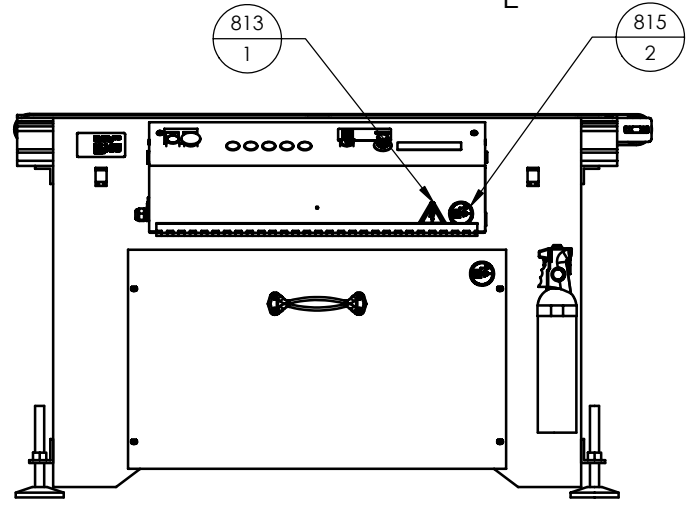
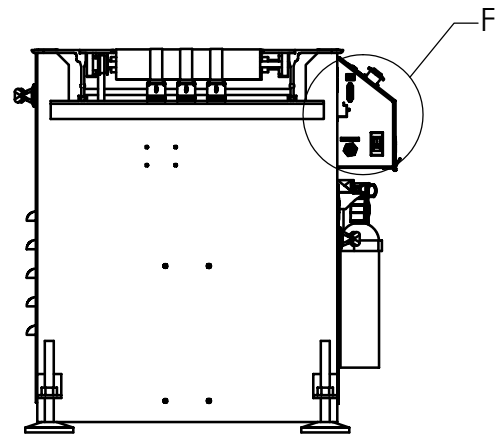
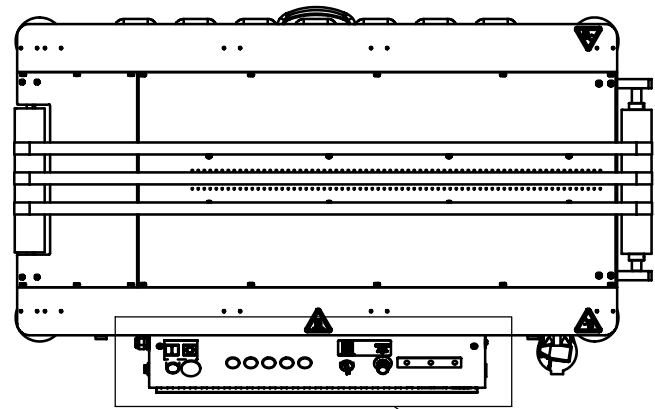
REV	DESCRIPTION	APPR.	DATE	DO NOT SCALE	SHEET 7 OF 9
-----	-------------	-------	------	--------------	--------------

6 5 4 3 2 1

6 5 4 3 2 1

F
E
D
C
B
A

F
E
D
C
B
A




RSI
Rheological Solutions, Inc.
8101 Cessna Avenue
Gaithersburg, MD 20879-4164
Phone (301) 963-7157 Fax (301) 990-3155

ALL DIMENSIONS
IN INCHES

TOLERANCE UNLESS
OTHERWISE SPECIFIED

.XXX = ±.005
.XX = ±.015
ANGLE = ±1/2°

THIS DRAWING AND INFORMATION CONTAINED
IN THIS DRAWING ARE CONFIDENTIAL PROPERTY
OF RHEOLOGICAL SOLUTIONS, INC. NO PART OF
THIS DRAWING OR ANY INFORMATION CONTAINED
IN THIS DRAWING MAY BE REPRODUCED OR
TRANSFERRED BY ANY MEANS WITHOUT PERMISSION
IN WRITING FROM RHEOLOGICAL SOLUTIONS, INC.

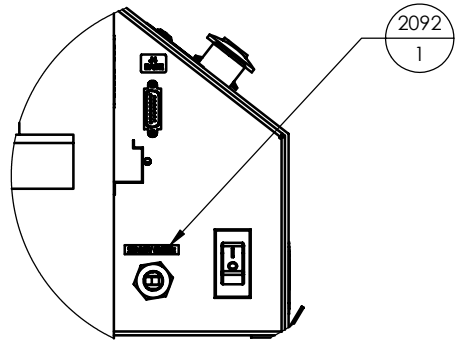
DIMENSIONAL LIMITS
APPLY BEFORE PLATING
INTERPRET PER ANSI
Y14.5M-1982

DESCRIPTION		DRYER BASE ASSEMBLY (SLAVE BASE v3)		
MATERIAL				
FINISH				
DRAWING NO.	REV.	PART NUMBER		
40658	1	2609		
DRAWN BY		DATE		SIZE
B. Bradford		11/13/02		C
REV	DESCRIPTION	APPR.	DATE	DO NOT SCALE
				SHEET 8 OF 9

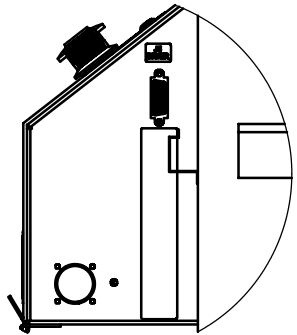
6 5 4 3 2 1

6 5 4 3 2 1

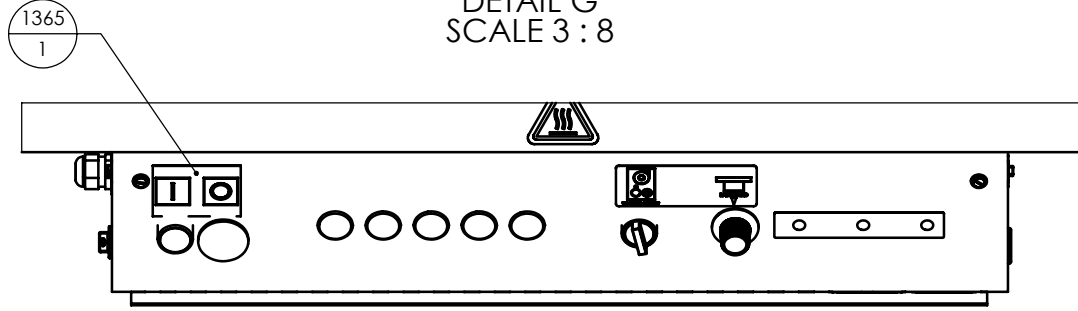
F
E
D
C
B
A



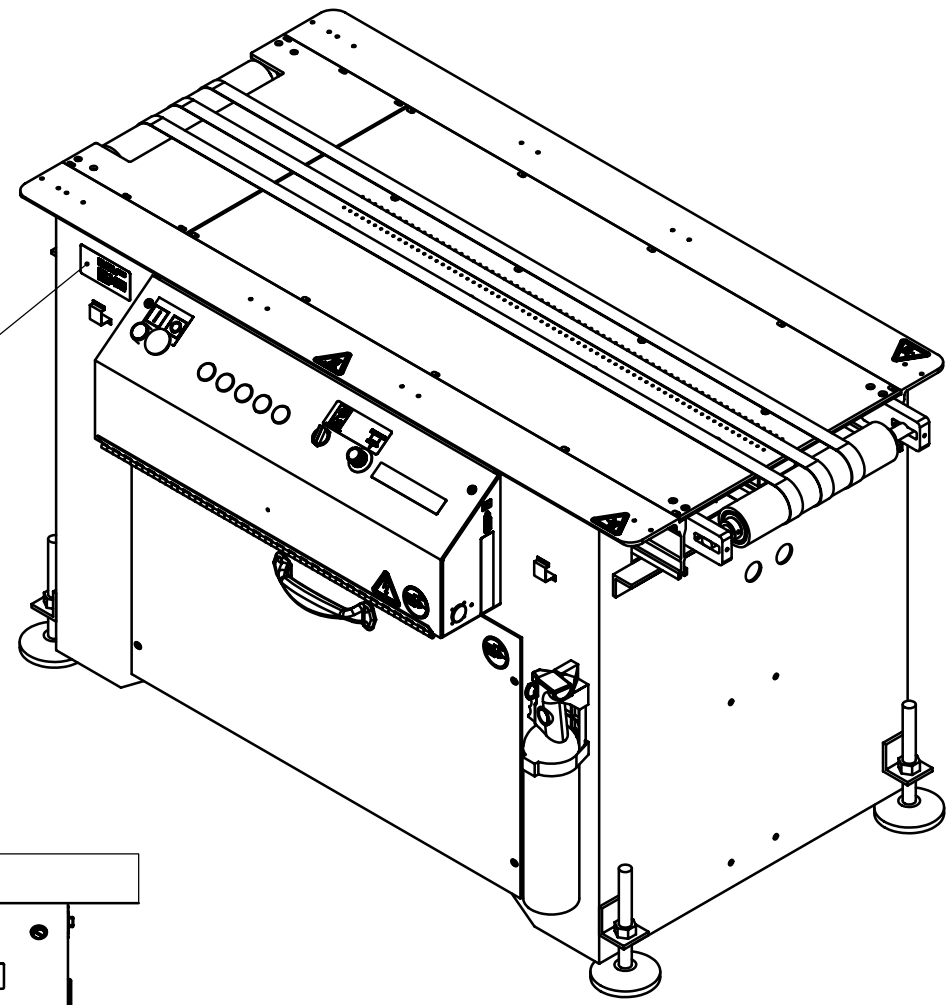
DETAIL F
SCALE 3 : 8



DETAIL G
SCALE 3 : 8



DETAIL E
SCALE 1 : 3




Rheological Solutions, Inc.
8101 Cessna Avenue
Gaithersburg, MD 20879-4164
Phone (301) 963-7157 Fax (301) 990-3155

ALL DIMENSIONS
IN INCHES

TOLERANCE UNLESS
OTHERWISE SPECIFIED

.XXX = ±.005
.XX = ±.015
ANGLE = ±1/2°

THIS DRAWING AND INFORMATION CONTAINED
IN THIS DRAWING ARE CONFIDENTIAL PROPERTY
OF RHEOLOGICAL SOLUTIONS, INC. NO PART OF
THIS DRAWING OR ANY INFORMATION CONTAINED
IN THIS DRAWING MAY BE REPRODUCED OR
TRANSFERRED BY ANY MEANS WITHOUT PERMISSION
IN WRITING FROM RHEOLOGICAL SOLUTIONS, INC.

DIMENSIONAL LIMITS
APPLY BEFORE PLATING
INTERPRET PER ANSI
Y14.5M-1982

REV		DESCRIPTION		APPR.	DATE	DO NOT SCALE	SHEET 9 OF 9		
DESCRIPTION						DRYER BASE ASSEMBLY (SLAVE BASE v3)			
MATERIAL									
FINISH									
DRAWING NO.				REV.	PART NUMBER				
40658				1	2609				
DRAWN BY						11/13/02		SIZE	
B. Bradford								C	

6 5 4 3 2 1