

VACUUM CONVEYOR

Parts Manual



SURE-FEED ENGINEERING

12050 49th STREET NORTH - CLEARWATER, FL. 33762-4301
PHONE: 727.571.3330 - FAX: 727.571.3443 - TOLL FREE: 1.800.INSERTER
web: sure-feed.com

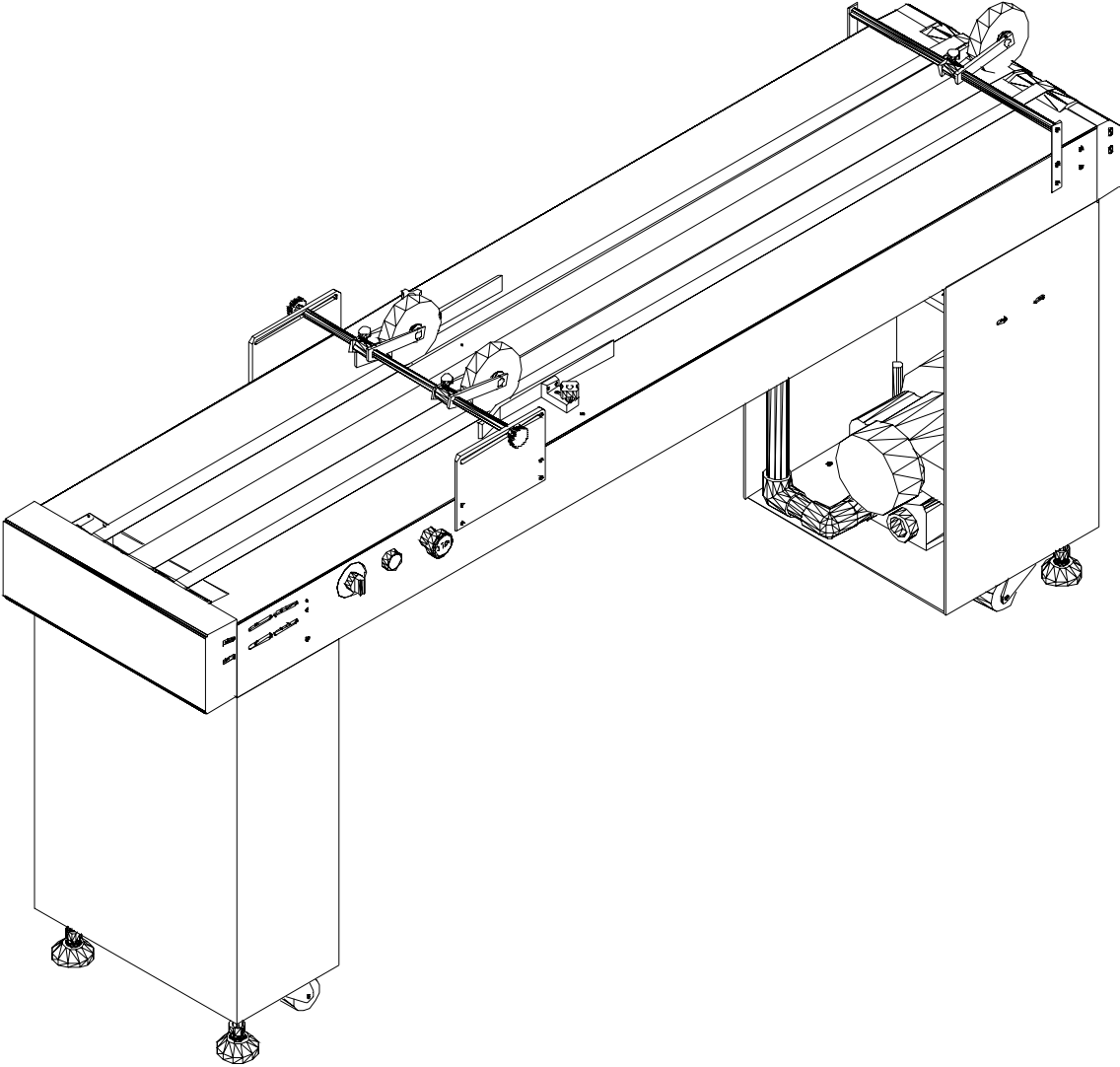
TABLE OF CONTENTS

VACUUM CONVEYOR

VACUUM CONVEYOR ASSEMBLY (Fig. 1).....	3
DRIVE SHAFT / MOTOR ASSEMBLY (Fig. 2).....	5
IDLER SHAFT ASSEMBLY (Fig. 3).....	7
VACUUM ASSEMBLY (Fig. 4)	9
NIP ROLLER / SIDE GUIDE ASSEMBLY (Fig. 5).....	11
ELECTRICAL ASSEMBLY (Fig. 6).....	13

Sure-Feed
Engineering Inc

VACUUM CONVEYOR



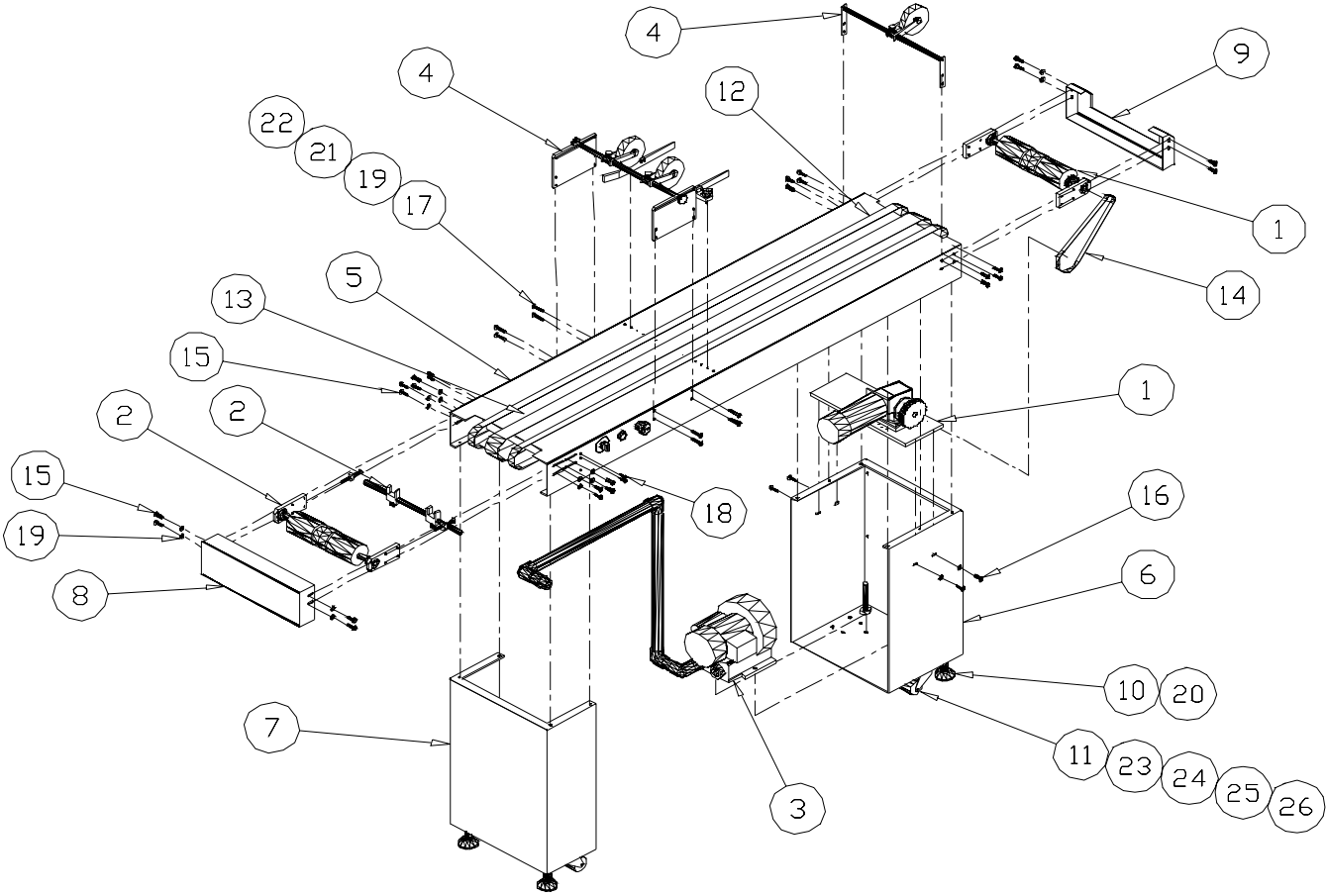
Sure-Feed
Engineering Inc

VACUUM CONVEYOR ASSEMBLY (Fig. 1)

ITEM	PART NO.	QTY.	DESCRIPTION
1	SEE FIG. 2	1	DRIVE SHAFT / MOTOR ASSEMBLY
2	SEE FIG. 3	1	IDLER SHAFT ASSEMBLY
3	SEE FIG. 4	1	VACUUM ASSEMBLY
4	SEE FIG. 5	1	NIP ROLLER / SIDE GUIDE ASSEMBLY
5	12000-003	1	SIDRFRAME, VAC. CONVEYOR
6	12010-004	1	LEG, DRIVE END, 30"
7	12010-003	1	LEG, IDLE END, 30"
8	12011-006	1	END CAP, IDLE END
9	12011-008	1	END CAP, DRIVE END
10	99010-001	4	FOOT, ADJUSTABLE, 5/8
11	99010-002	4	CASTER, SWIVEL
12	99000-045	2	BELT, CONVEYOR, 1" X 145"
13	12014-001	1	BELT, CONVEYOR, 2" X 145"
14	99000-058	1	BELT, TIMING, 255L050
15		24	SCREW, BUT HD, 1/4-20 X 1/2
16		4	SCREW, BUT HD, 1/4-20 X 3/4
17		8	SCREW, BUT HD, 1/4 -20 X 1
18		4	SCREW, BUT HD, 10-24 X 1/2
19		28	WASHER, FLAT, 1/4
20		4	NUT, HEX, 5/8-11
21		8	WASHER, LOCK, 1/4
22		8	NUT, HEX, 1/4
23		16	SCREW, HEX HD, 5/16-18 X 3/4
24		16	NUT, HEX, 5/16-18
25		16	WASHER, FLAT, 5/16
26		16	WASHER, LOCK, 5/16
27	SEE FIG. 6	1	ELECTRICAL ASSEMBLY (NOT SHOWN)

Sure-Feed
Engineering Inc

FIG. 1

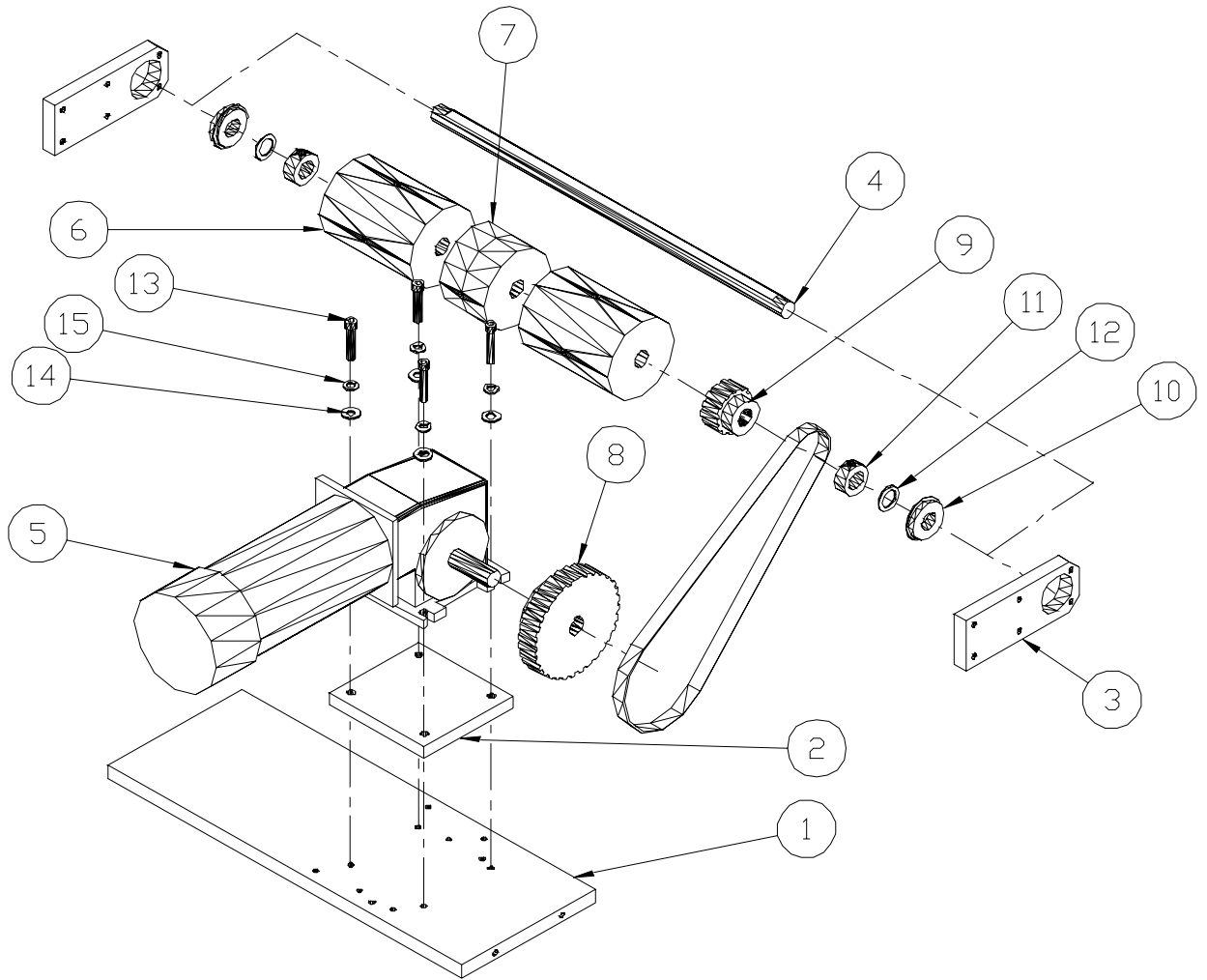


Sure-Feed
Engineering Inc

VACUUM CONVEYOR (Fig. 2)
DRIVE SHAFT / MOTOR ASSEMBLY

ITEM	PART NO.	QTY.	DESCRIPTION
1	12011-005	1	PLATE, MOTOR MOUNT
2	12011-004	1	SPACER, MOTOR MGT
3	12007-001	2	BLOCK, BEARING
4	12004-003	1	SHAFT, CONVEYOR
5	99001-015	1	MOTOR, 1/4HP, 500RPM, 90V DC, RIGHT ANGLE
6	12006-004	2	PULLEY, FLAT, 4" WIDE
7	12006-002	1	PULLEY, CROWNED
8	99002-053	1	PULLEY, TIMING, 32L050, 5/8 BORE
9	99002-041	1	PULLEY, TIMING, 14L050, 5/8 BORE
10	99003-006	2	BEARING, SEALED, 5/8 X 1-3/8 (W/ SNAP RING)
11	99017-005	2	COLLAR, SET, 5/8
12	99003-021	2	WASHER, NYLON, 5/8
13		4	SCREW, SKT HD, 1/4-20 X 1-1/2
14		4	WASHER, FLAT, 1/4
15		4	WASHER, LOCK, 1/4

FIG. 2

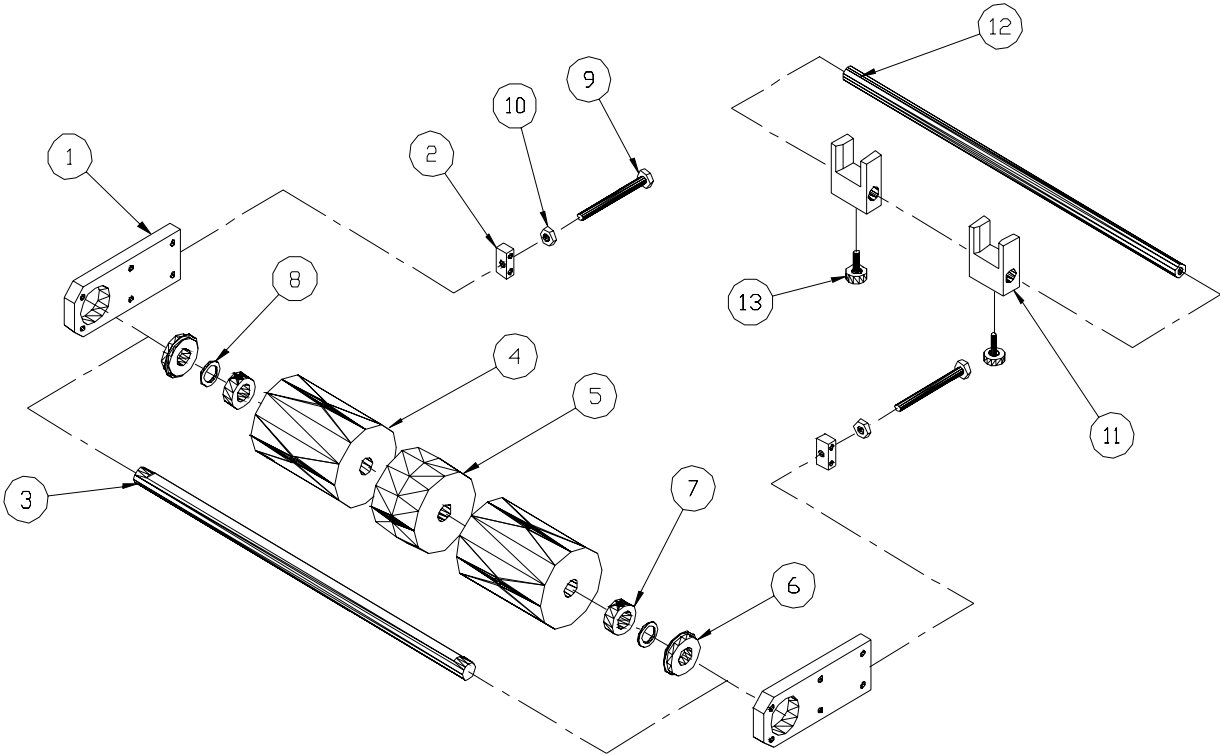


Sure-Feed
Engineering Inc

VACUUM CONVEYOR (Fig. 3)
IDLER SHAFT ASSEMBLY

ITEM	PART NO.	QTY.	DESCRIPTION
1	12007-001	2	BLOCK, BEARING
2	12007-002	2	BLOCK, TENSIONER
3	12004-003	1	SHAFT, CONVEYOR
4	12006-004	2	PULLEY, FLAT, 4" WIDE
5	12006-002	1	PULLEY, CROWNED
6	99003-006	2	BEARING, SEALED, 5/8 X 1-3/8 (W/ SNAP RING)
7	99017-005	2	COLLAR, SET, 5/8
8	99003-021	2	WASHER, NYLON, 5/8
9		2	SCREW, HEX HD, 1/4-20 X 3 (ALL THREAD)
10		2	NUT, HEX, 1/4-20
11	12005-004	2	GUIDE, BELT
12	12004-005	1	SHAFT, FIXED (15.79")
13	99004-002	2	KNOB, #10 SCREW

FIG. 3

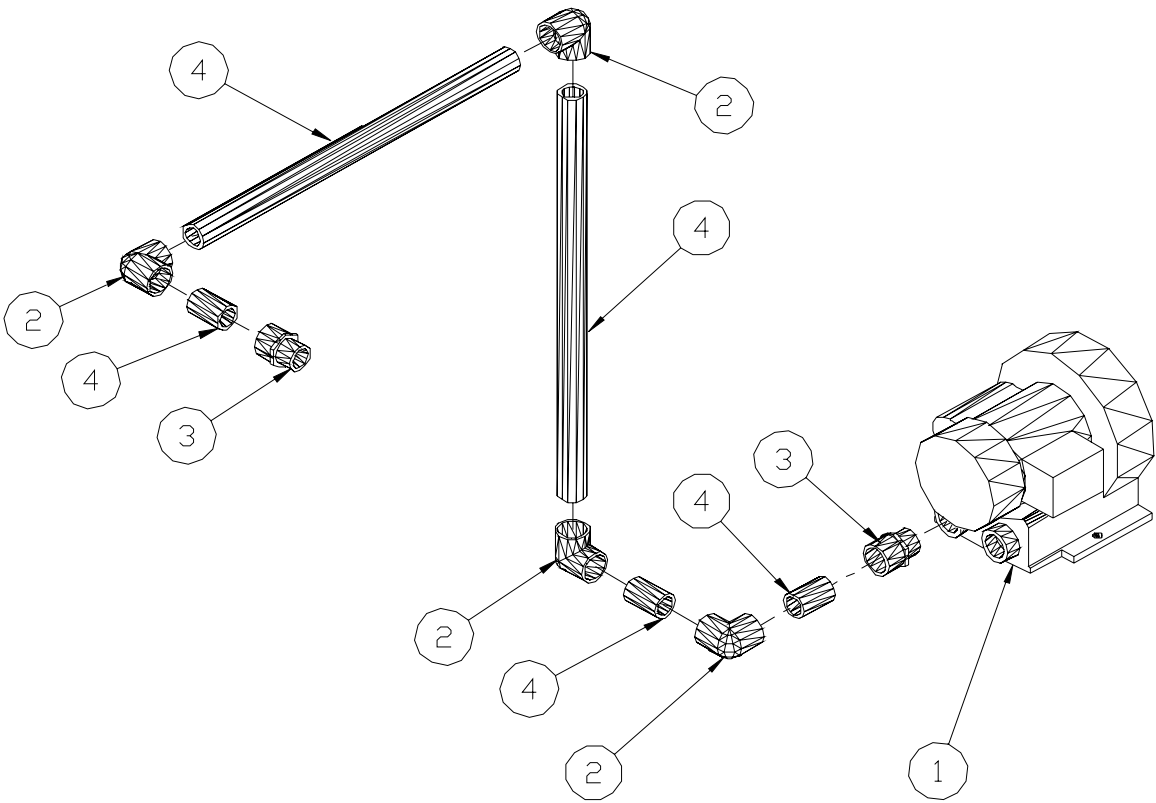


Sure-Feed
Engineering Inc

VACUUM CONVEYOR (Fig. 4)
VACUUM ASSEMBLY

ITEM	PART NO.	QTY.	DESCRIPTION
1	99029-003	1	BLOWER, VACUUM
2	99028-050	4	FITTING, ELBOW, 1" PVC
3	99028-047	2	FITTING, MALE ADAPTER, 1" PVC
4	99028-048	10'	PIPE, PVC, 1"

FIG. 4

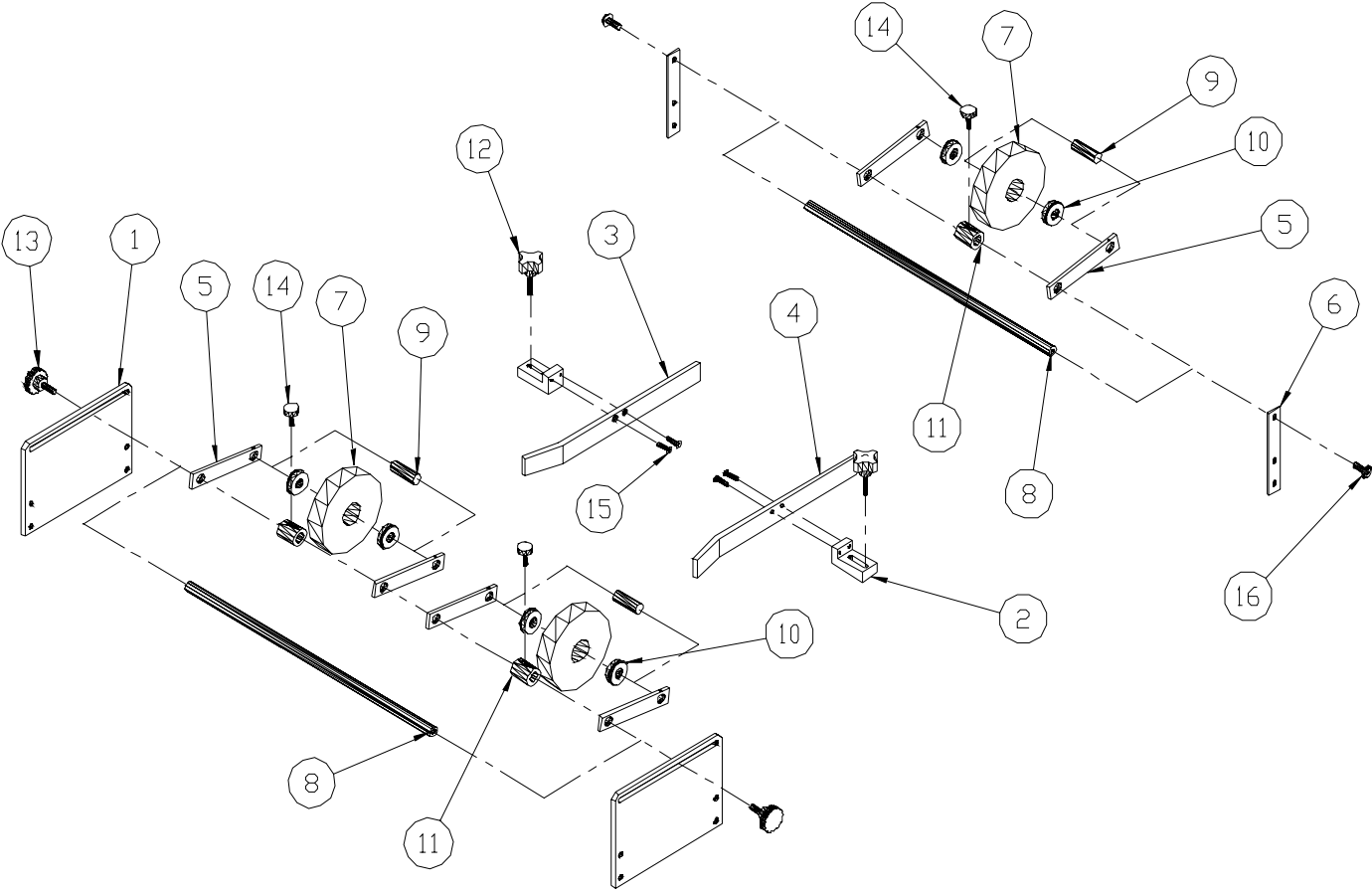


Sure-Feed
Engineering Inc

VACUUM CONVEYOR (Fig. 5)
NIP ROLLER / SIDE GUIDE ASSEMBLY

ITEM	PART NO.	QTY.	DESCRIPTION
1	12011-003	2	PLATE, NIP ROLLER ADJ
2	12007-008	2	BLOCK, SIDE GUIDE MTG.
3	12005-009	1	SIDE GUIDE, RH
4	12005-010	1	SIDE GUIDE, LH
5	12011-010	6	PLATE, NIP ROLLER MTG.
6	12009-002	2	SUPPORT, OVERHEAD SHAFT
7	12006-005	3	ROLLER, NIP
8	12004-006	2	SHAFT, OVERHEAD, 16"
9	12004-009	3	SHAFT, NIP ROLLER
10	99003-007	6	BEARING, SEALED, 1/2 X 1-1/8, (W/ SNAP RING)
11	12007-011	3	BLOCK, LOCATING
12	99004-011	2	KNOB, MALE, 10-32
13	99004-004	2	KNOB, MALE, 1/4-20
14	99004-002	3	KNOB, #10 SCREW
15		4	SCREW, FLAT HD, 8-32 X 1/2
16		2	SCREW, BUTTON HD, 1/4-20 X 1/2

FIG. 5



Sure-Feed
Engineering Inc

VACUUM CONVEYOR (Fig. 6)
ELECTRICAL ASSEMBLY

ITEM	PART NO.	QTY.	DESCRIPTION
1	12013-001	1	ENCLOSURE, CONTROL
2	12013-002	1	COVER, CONTROL ENCLOSURE
3	98000-016	1	SWITCH, PUSH / PULL STOP
4	98000-017	1	CONTACT BLOCK ASSY, 1 X CLIP + 1 X N0 + 1 X NC
5	99004-015	1	KNOB, SPEED POT
6	98005-007	1	CONTROLLER, MOTOR, 240V AC
7	98006-007	1	POT KIT, 5K
8	98000-030	1	SWITCH, ROUND, GREEN
9	98000-027	1	CLIP, SWITCH, ROUND
10	98000-028	1	CONTACT BLOCK, 1 X N0
11	98002-005	1	SOCKET, RELAY, SNAP IN MOUNT
12	98002-008	1	RELAY, DPDT, 120V AC
13	98000-034	1	SWITCH, TOGGLE
14	98004-010	1	HOLDER, FUSE
15	98004-011	1	FUSE, 8 AMP, 250 V
16	98015-009	6	CLAMP, ROMEX, 3/8

Sure-Feed
Engineering Inc

FIG. 6

