

***FEEDMAX***

***SYSTEM***

***IJ SERIES***

***Parts Manual***



***SURE-FEED ENGINEERING***

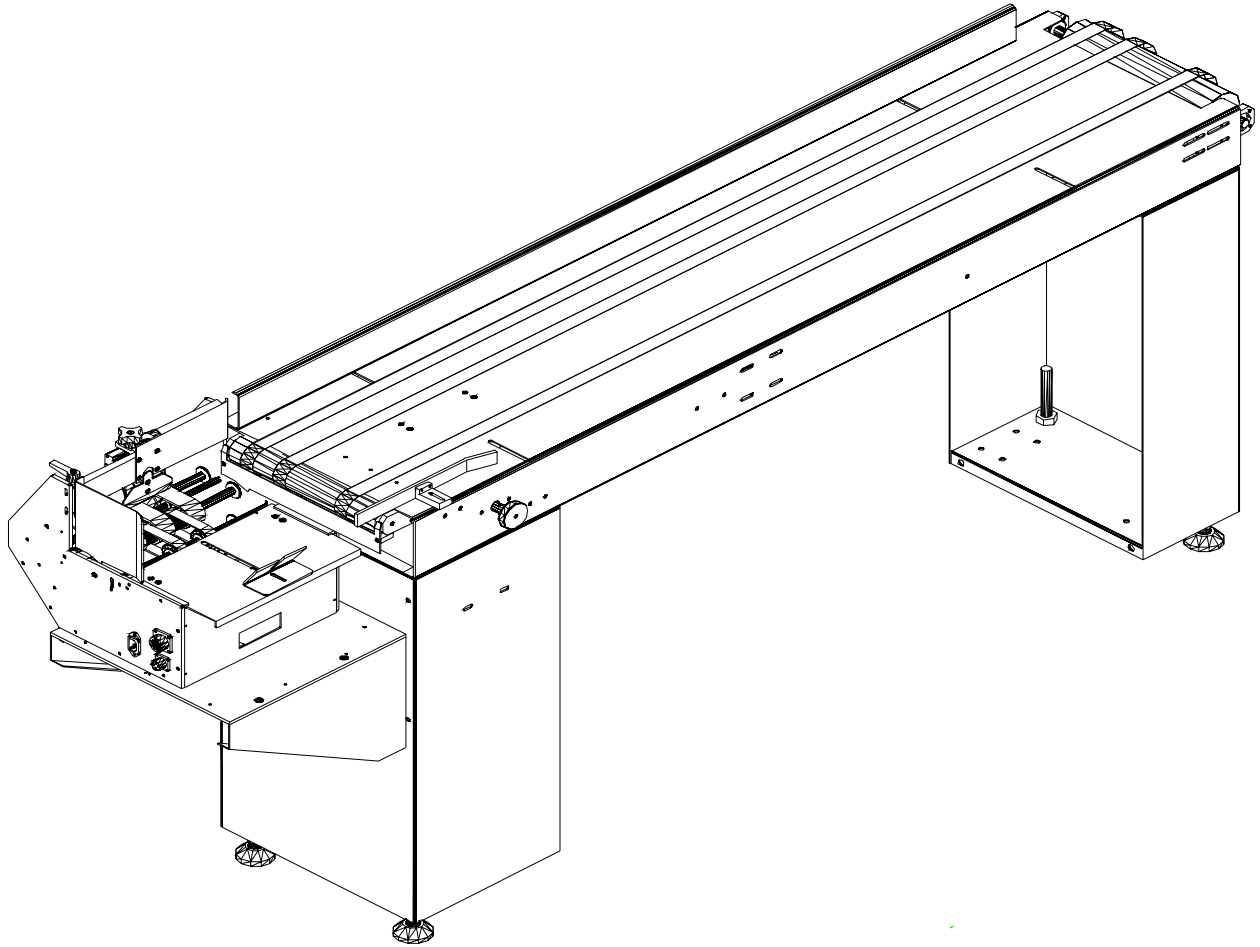
12050 49th STREET NORTH - CLEARWATER, FL. 33762-4301  
PHONE: 727.571.3330 - FAX: 727.571.3443 - TOLL FREE: 1.800.INSERTER  
web: [sure-feed.com](http://sure-feed.com)

# ***TABLE OF CONTENTS***

## **FEEDMAX SYSTEM**

FEEDMAX CONVEYOR (FIG. 1).....	3
FRAME ASSEMBLY (FIG. 2).....	5
ADJUSTABLE PULLEY ASSEMBLY (FIG. 3).....	7
DRIVE ASSEMBLY (FIG. 4).....	9
IDLER PULLEY ASSEMBLY (FIG. 5).....	11
BELT GUIDE ASSEMBLY (FIG. 6).....	13
FEEDMAX FEEDER (FIG. 7).....	15
SEPERATOR, SIDE GUIDE, AND TRAILING ARM (FIG. 8).....	17
FRONT, NIP, IDLER, JACK SHAFT ASSEMBLIES (FIG. 9).....	20
MAIN, ELEVATOR, AND CAM SHAFT ASSEMBLIES (FIG. 10).....	22
CHASSIS, TENSIONER, AND MOTOR ASSEMBLIES (FIG. 11).....	24
ELECTRICAL	
CONVEYOR (FIG. 12).....	26
FEEDER (FIG. 13).....	28

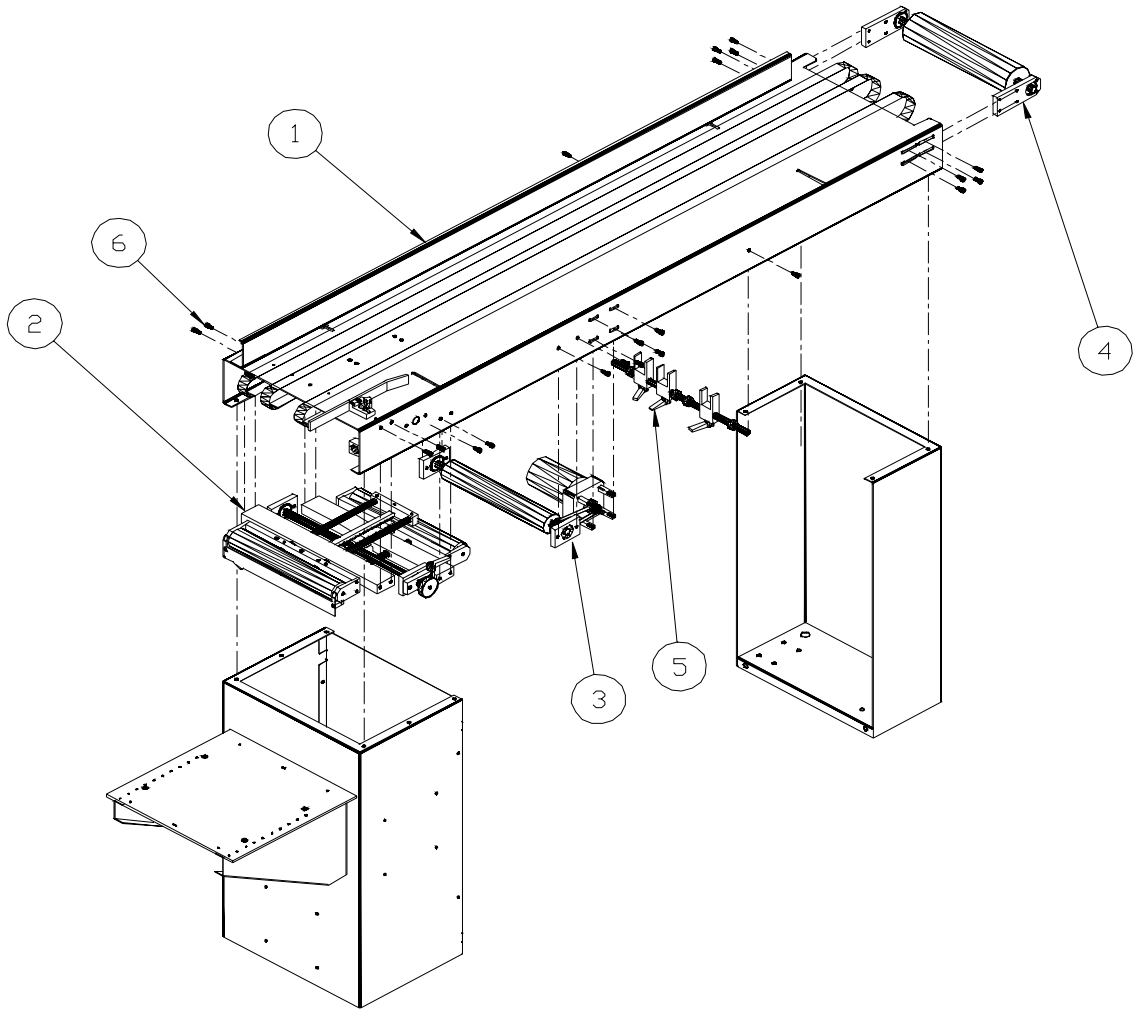
# ***FEEDMAX SYSTEM***



## **FEEDMAX CONVEYOR ASSEMBLY (Fig. 1)**

<b>ITEM</b>	<b>PART NO.</b>	<b>QTY.</b>	<b>DESCRIPTION</b>
1	SEE FIG.2	1	CONVEYOR FRAME ASSEMBLY
2	SEE FIG. 3	1	ADJUSTABLE PULLEY ASSEMBLY
3	SEE FIG. 4	1	DRIVE ASSEMBLY
4	SEE FIG. 5	1	IDLER PULLEY ASSEMBLY
5	SEE FIG. 6	1	BELT GUIDE ASSEMBLY
6		30	SCREW, SKT HD, 1/4-20 X 5/8
7	SEE FIG. 12	1	ELECTRICAL ASSEMBLY, CONVEYOR (NOT SHOWN)

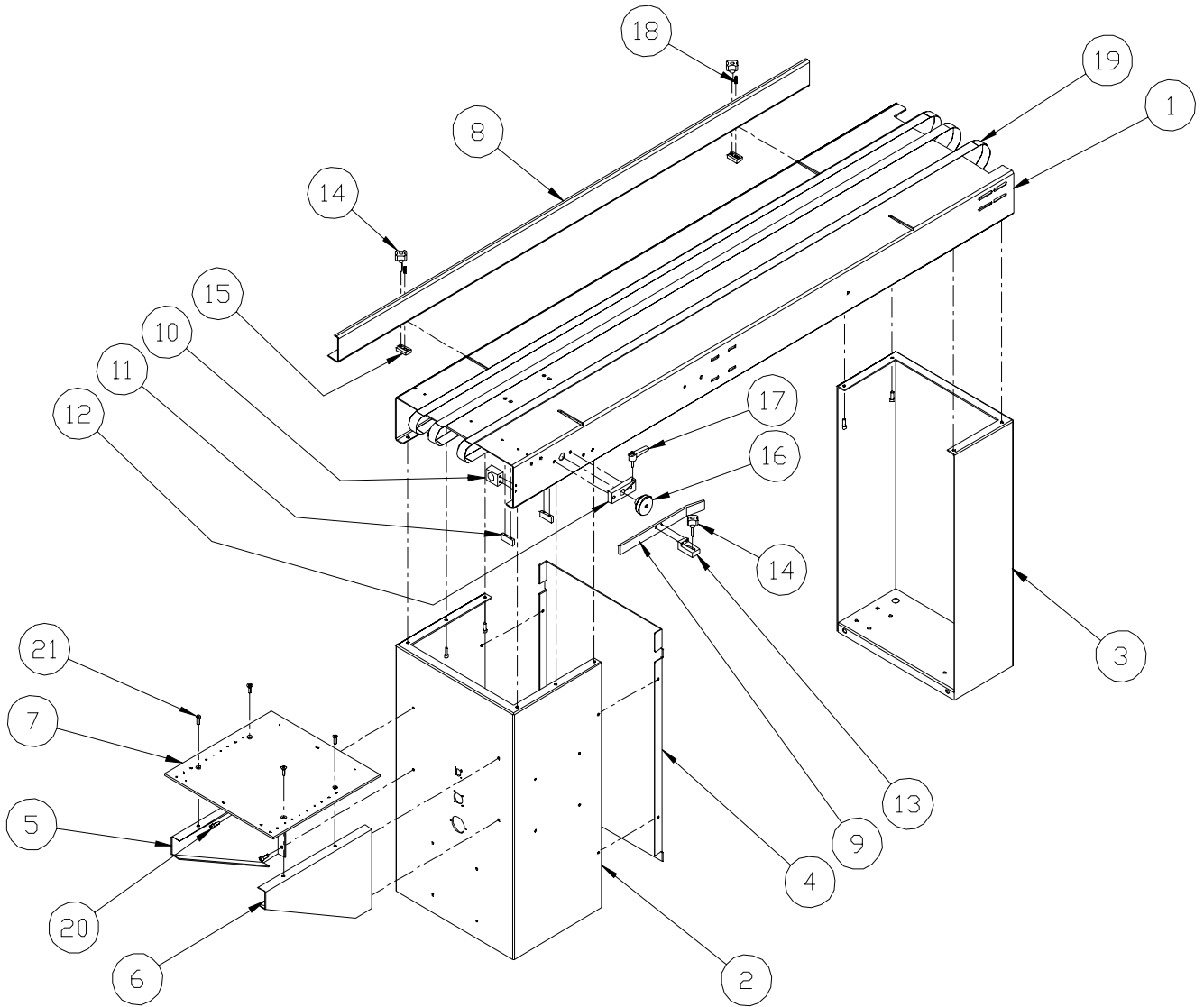
FIG. 1



**FEEDMAX CONVEYOR (Fig. 2)  
FRAME ASSEMBLY**

<b>ITEM</b>	<b>PART NO.</b>	<b>QTY.</b>	<b>DESCRIPTION</b>
1	12000-016	1	SIDEFAME, FEEDMAX CONVEYOR
2	12010-013	1	LEG, CONVEYOR DRIVE, 36"
3	12010-001	1	LEG, CONVEYOR IDLE
4	12013-014	1	GUARD, CONVEYOR DRIVE LEG
5	12010-011	1	SUPPORT, LH, FEEDER
6	12010-012	1	SUPPORT, RH, FEEDER
7	12011-029	1	PLATE, FEEDER MTG.
8	12005-023	1	GUIDE, RH SIDE
9	12005-010	1	GUIDE, LH SIDE
10	12007-026	1	BLOCK, SENSOR HOSE MTG.
11	12008-019	1	BAR, STOP
12	12007-025	1	BLOCK, CLAMP
13	12007-008	1	BLOCK, SIDE GUIDE MTG (SHORT)
13	12007-016	1	BLOCK, SIDE GUIDE MTG (LONG)
14	99004-019	4	KNOB, MALE, 10-24 X 3/4
15	10007-074	3	NUT, PAPER SLIDE (SHORT)
16	12015-001	1	KNOB, ALUM, 5/8 BORE
17	99004-003	1	HANDLE, RACHET, 10-24
18	99006-020	2	ROLL PIN, 5/32 X 3/4
19	99000-126	2	BELT, ENDLESS, 1"W X 171"L
20		4	SCREW, SKT HD, 1/4-20 X 5/8

FIG. 2

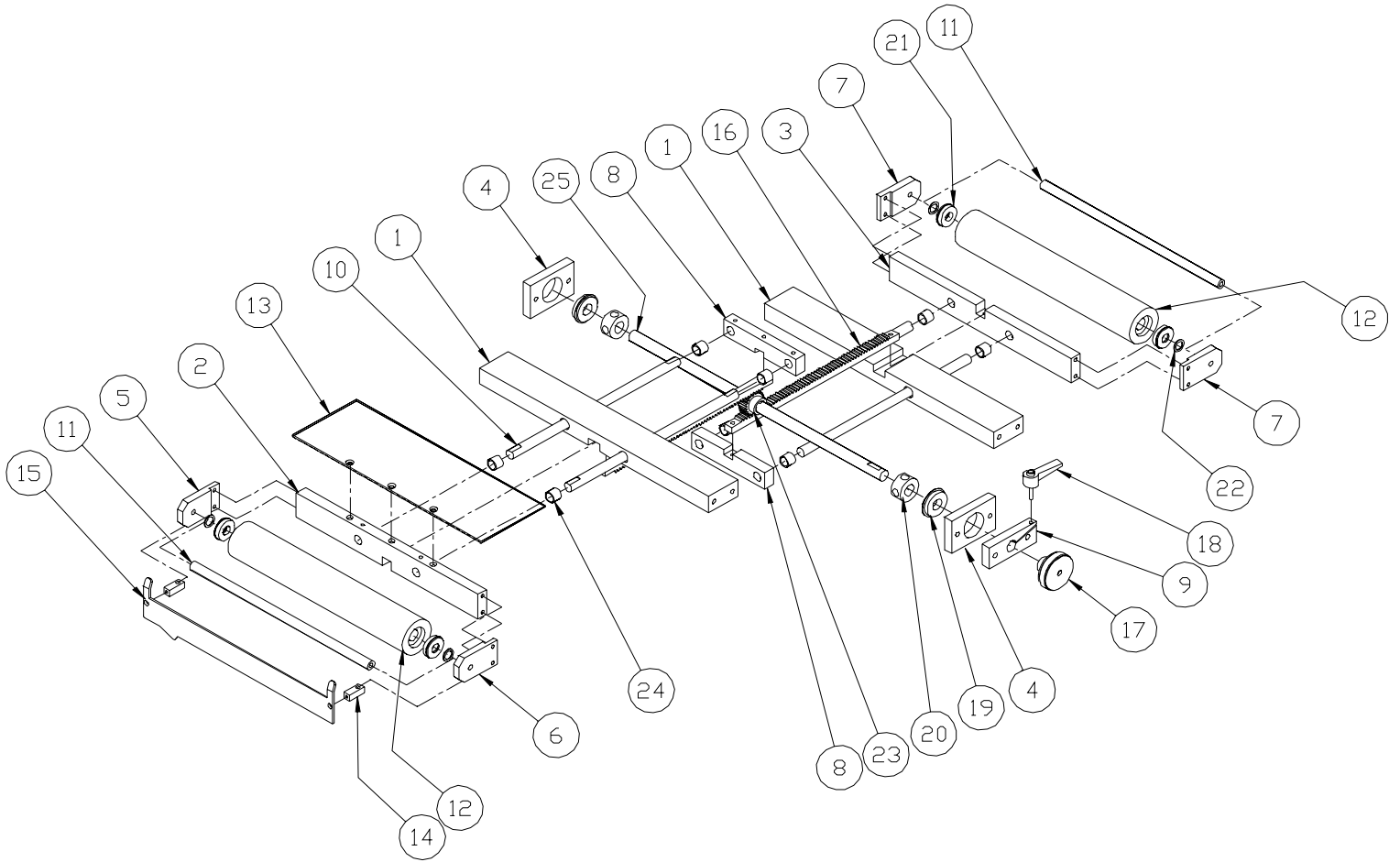


**FEEDMAX CONVEYOR (Fig. 3)  
ADJUSTABLE PULLEY ASSEMBLY**

ITEM	PART NO.	QTY.	DESCRIPTION
1	12003-002	2	CROSSBAR, GUIDE, SHAFT MTG.
2	12008-018	1	BAR, ADJ PULLEY MTG. (OUTSIDE)
3	12008-015	1	BAR, ADJ PULLEY MTG. (INSIDE)
4	12007-022	2	BLOCK, BEARING MTG, 5/8
5	12007-020	1	BLOCK, ADJ PULLEY MTG, RH
6	12007-019	1	BLOCK, ADJ PULLEY MTG, LH
7	12007-023	2	BLOCK, ADJ PULLEY MTG.
8	12008-016	2	GUIDE, SHAFT SUPPORT
9	12007-025	1	BLOCK, SHAFT CLAMP
10	12004-021	4	SHAFT, ADJ PULLEY GUIDE
11	12004-024	2	SHAFT, IDLER, 1/2"
12	12006-015	1	PULLEY, IDLER, 2" D X 12" W
13	12011-028	1	PLATE, TOP EXTENSION
14	12007-021	2	BLOCK, REAR SIDE GUIDE MTG.
15	12005-022	1	GUIDE, REAR SIDE, RH 90 DEG.
15	12005-024	1	GUIDE, REAR SIDE, LH 90 DEG.
16	12008-017	2	RACK, 11.5" LONG (16D.P., 14.5 DEG. P.A.)
17	12015-001	1	KNOB, ALUM, 5/8 BORE
18	99004-019	1	RACHET, MALE, 10-24 X 3/4
19	99003-006	2	BEARING, 5/8 X 1-3/8, SEALED W/ S.R.
20	99017-005	2	COLLAR, SET, 5/8
21	99003-007	4	BEARING, 1/2 X 1-1/8, SEALED W/ S.R.
22	99003-018	4	WASHER, NYLON, 1/2 X 1/16
23	99021-006	1	PUR GEAR, 20T, 16 D.P., 14.5 DEG P.A.
24	99003-031	8	BUSHING, SLEEVE, 1/2 X 5/8 X 1/2
25	12004-023	1	SHAFT, CRANK, ADJ. PULLEY

*FIG. 3*



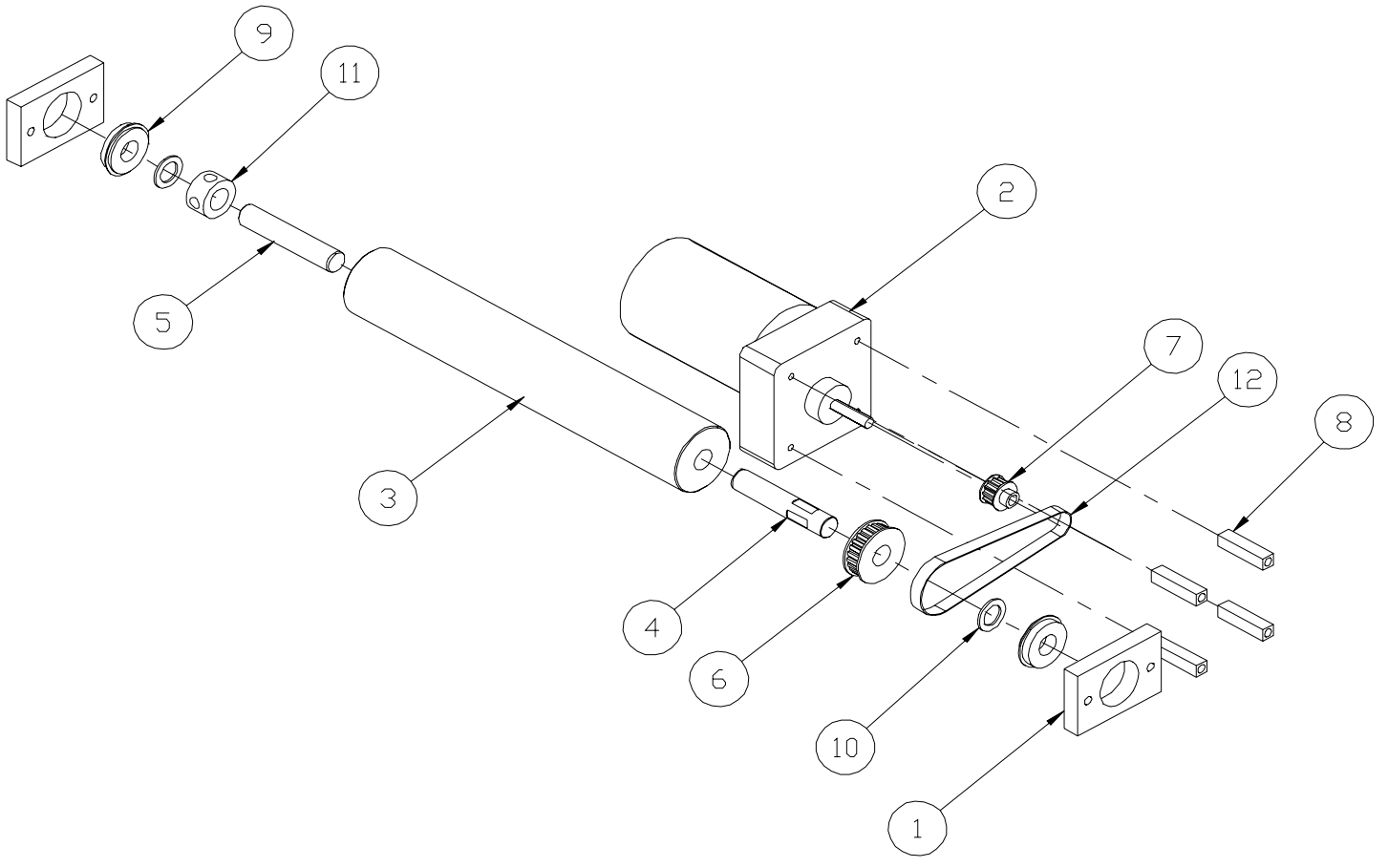


**FEEDMAX CONVEYOR (Fig. 4)**

## DRIVE ASSEMBLY

ITEM	PART NO.	QTY.	DESCRIPTION
1	12007-022	2	BLOCK, BEARING, 5/8
2	99001-009	1	MOTOR, 32 RPM
3	12006-016	1	PULLEY, DRIVE, 2"D X 12" W
4	12004-022	1	SHAFT, STUB IDLER W/ FLATS
5	12004-025	1	SHAFT, STUB IDLER
6	10006-063	1	PULLEY, TIMING, 24XL037, 5/8 BORE
7	99002-008	1	PULLEY, MOTOR, 12XLO37
8	12012-001	4	STANDOFF, MOTOR
9	99003-006	2	BEARING, 5/8 X 1-3/8, SEALED W/ S.R.
10	99003-021	2	WASHER, NYLON, 5/8 X 1/16
11	99017-005	1	COLLAR, SET, 5/8
12	99000-003	1	BELT, TIMING, 120XL037

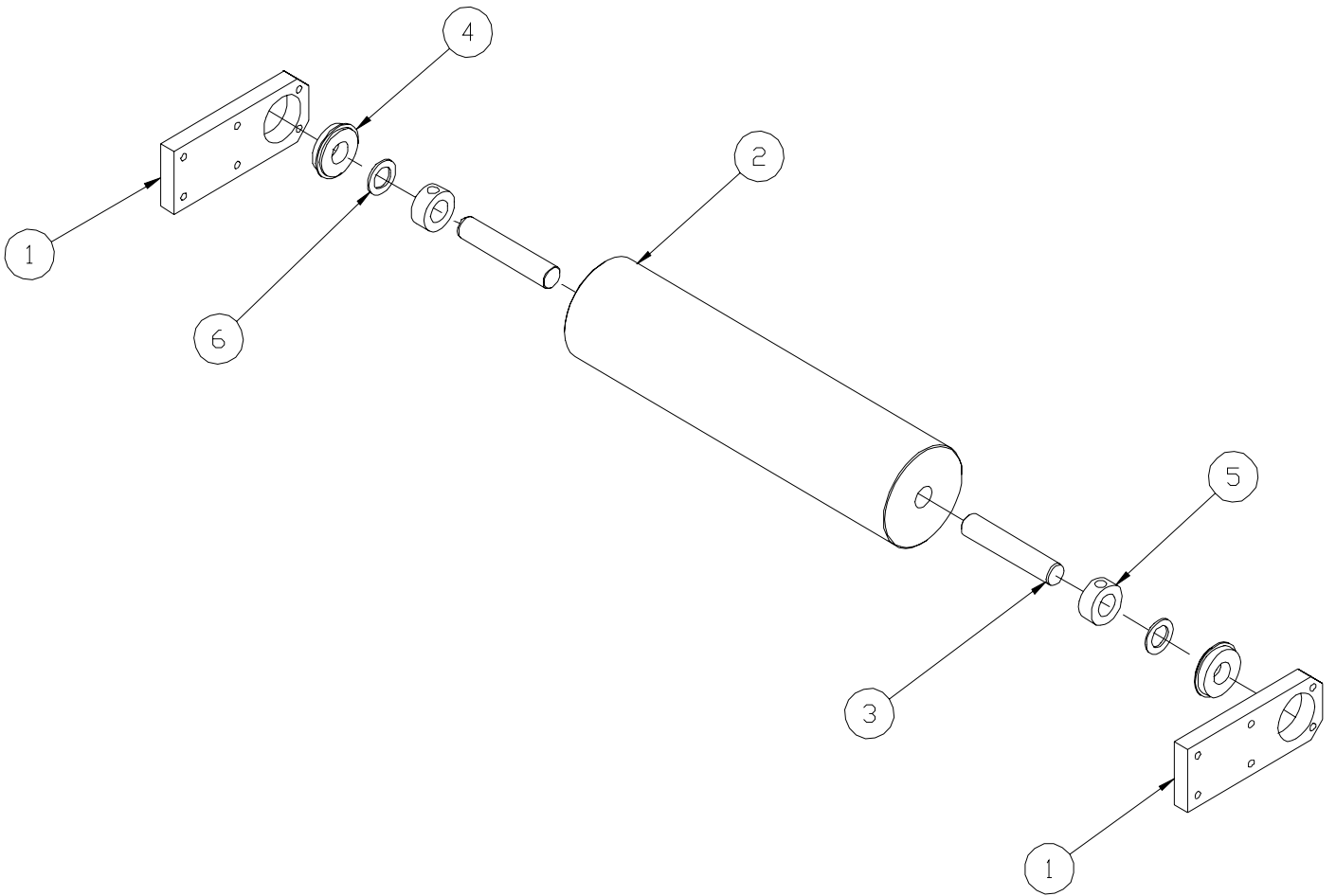
*FIG. 4*



**FEEDMAX CONVEYOR (Fig. 5)**  
**IDLER ASSEMBLY**

<b>ITEM</b>	<b>PART NO.</b>	<b>QTY.</b>	<b>DESCRIPTION</b>
1	12007-001	2	BLOCK, BEARING, 5/8
2	12006-017	1	PULLEY, IDLER, 3" D X 12" W
3	12004-025	2	SHAFT, STUB IDLER
4	99003-006	2	BEARING, 5/8 X 1-3/8 SEALED W/ S.R.
5	99017-005	2	COLLAR, SET, 5/8
6	99003-021	2	WASHER, NYLON, 5/8 X 1/16

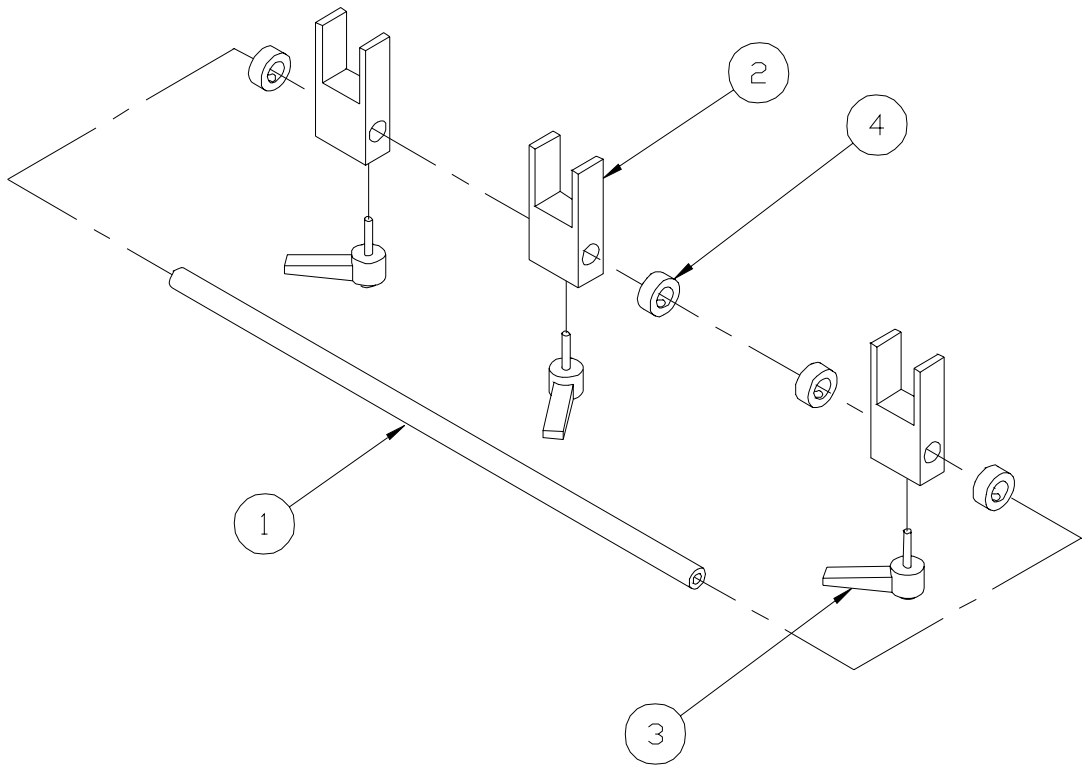
FIG. 5



**FEEDMAX CONVEYOR (Fig. 6)**  
**BELT GUIDE ASSEMBLY**

<b>ITEM</b>	<b>PART NO.</b>	<b>QTY.</b>	<b>DESCRIPTION</b>
1	12004-005	1	SHAFT, BELT GUIDE MTG.
2	16005-003	3	BELT GUIDE, 1"
3	99004-003	3	HANDLE, RATCHET, 10-24 X 1/2
4	99017-004	4	COLLAR, SET, 1/2

FIG. 6

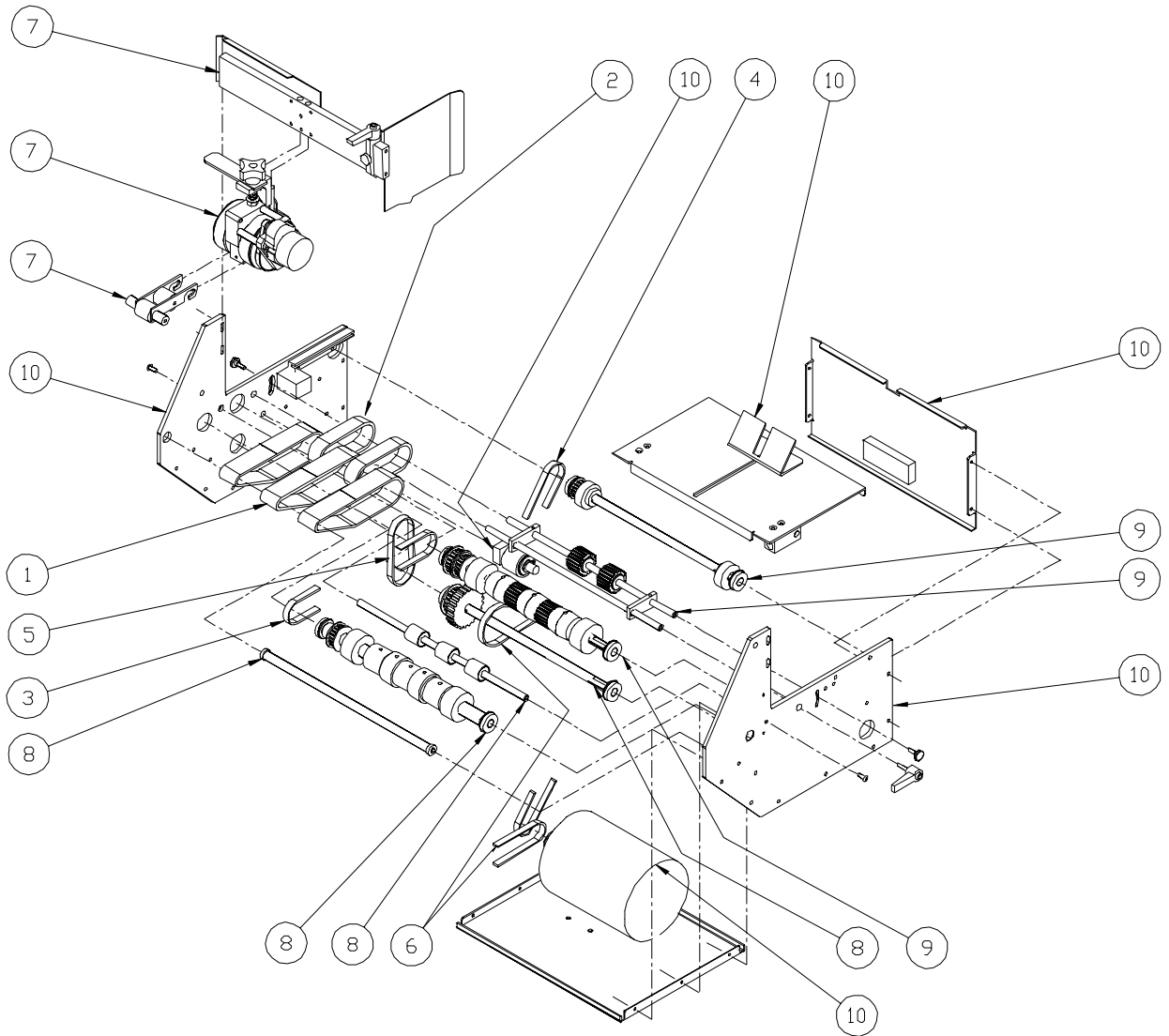


## **FEEDMAX FEEDER ASSEMBLY (Fig. 7)**

<b>ITEM</b>	<b>PART NO.</b>	<b>QTY.</b>	<b>DESCRIPTION</b>
1	99000-133	3	BELT, RED GUM, GROOVED
2	99000-134	2	BELT, TIMING, ELEVATOR, GROOVED
3	99000-001	1	BELT, TIMING, 90XL037
4	99000-041	1	BELT, TIMING, 100XL037
5	99000-002	1	BELT, TIMING, 110XL037
6	99000-027	1	BELT, TIMING, 160XL037
7	SEE FIG. 8		SEPERATOR / SIDE GUIDE / TRAILING ARM ASSY
8	SEE FIG. 9		FRONT / NIP / IDLER / JACK SHAFT ASSEMBLIES
9	SEE FIG. 10		MAIN / ELEVATOR / CAM SHAFT ASSEMBLIES
10	SEE FIG. 11		CHASSIS / TENSIONER / MOTOR ASSEMBLIES
11	SEE FIG. 13		ELECTRICAL ASSEMBLY, FEEDER (NOT SHOWN)



FIG. 7



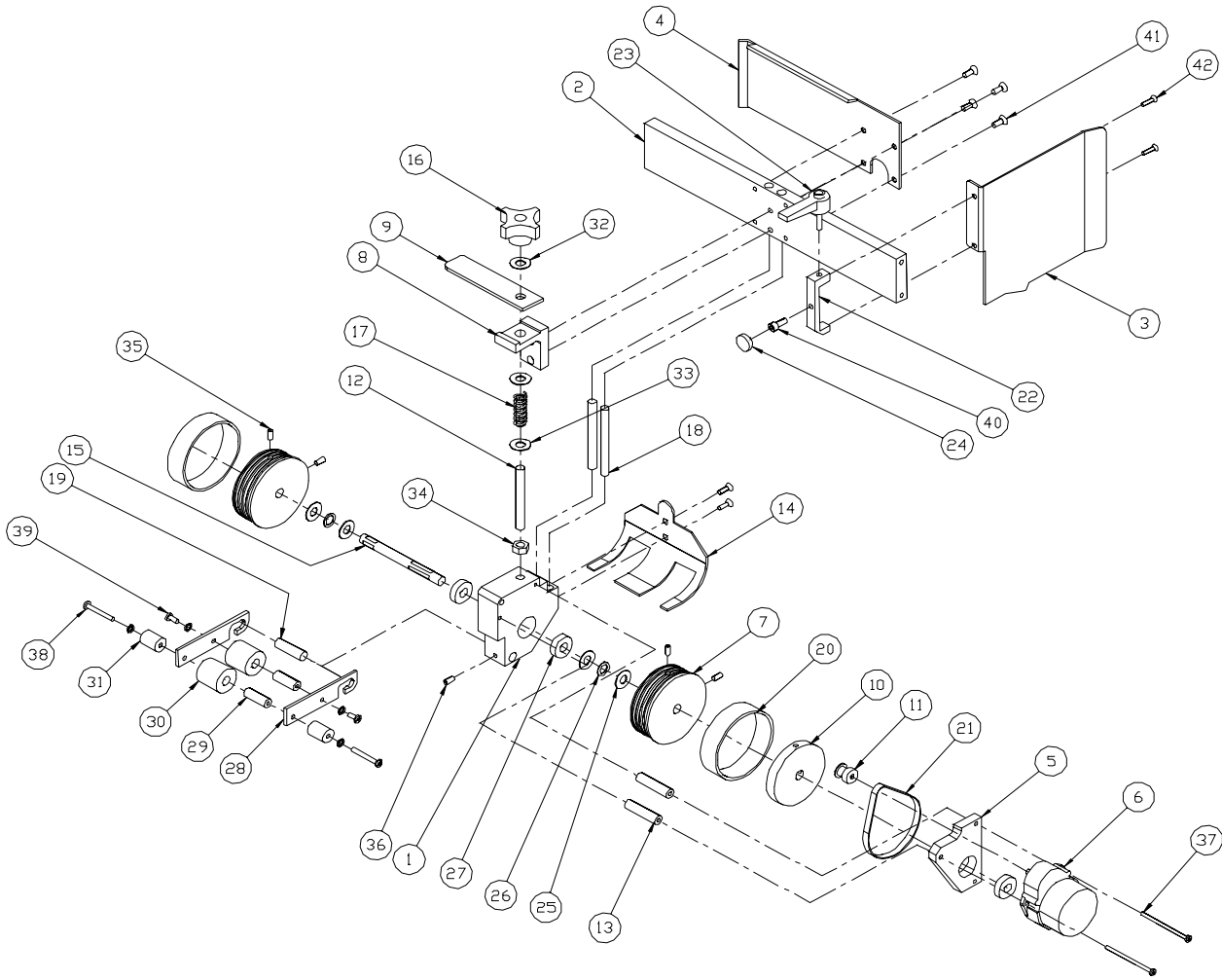
**FEEDMAX FEEDER (Fig. 8)**  
**SEPERATOR / SIDE GUIDE / TRAILING ARM ASSEMBLIES**

ITEM	PART NO.	QTY.	DESCRIPTION
1	10007-001	1	BLOCK, SEPERATOR, 3" ROLLER
2	10003-002	1	CROSS BAR, 1200 IJ
3	10005-087	1	SIDE GUIDE, LH, LONG
	10005-086	1	SIDE GUIDE, RH LONG (OPTION)
	10005-101	1	SIDE GUIDE, LH SHORT (OPTION)
	10005-102	1	SIDE GUIDE, RH SHORT (OPTION)
4	10005-085	1	GUIDE, FRONT, RH, 90 DEG
5	10011-001	1	PLATE, SEPERATOR MOTOR MTG.
6	99001-001	1	MOTOR, SEPERAOTR
7	10006-001	2	WHEEL, SEPERATOR, 3"
8	10007-010	1	BLOCK, SEPERATOR ADJ.
9	10008-024	1	BAR, SEPERAOTR RELEASE
10	99002-001	1	PULLEY, 100MXL025, NO HUB, 3/8 BORE
11	99002-002	1	PULLEY, 16MXL025, 3/16 BORE
12	10004-028	1	STUD, SEPERATOR ADJUSTING
13	10012-002	2	STANDOFF, SEPERATOR MOTOR
14	10005-003	1	SHROUD, SEPERATOR
15	10004-001	1	SHAFT, SEPERATOR
16	99004-001	1	KNOB, 5/16-24 FEMALE
17	10019-001	1	SPRING, COMPRESSION
18	99006-002	2	PIN, DOWELL, 5/16 X 3
19	99006-001	1	PIN, DOWEL, 3/8 X 1-1/4
20	10014-001	2	BELT, SEPERATOR, 3"
21	99000-006	1	BELT, TIMING, 115MXL025
22	10009-002	1	BRACKET, SIDE GUIDE MTG.
23	99004-003	2	HANDLE, RACHET, 10-24
24	99004-002	2	KNOB, #10 SCREW
25	99003-017	5	WASHER, NYLON, 3/8 X 1/16
26	99003-016	2	WASHER, NYLON, 3/8 X 1/32
27	99003-008	3	BEARING, SELAED, 3/8 X 7/8
28	10011-002	2	PLATE, TRIALING ARM

**FEEDMAX FEEDER (Fig. 8)**  
**SEPERATOR / SIDE GUIDE / TRAILING ARM ASSEMBLIES**

<b>ITEM</b>	<b>PART NO.</b>	<b>QTY.</b>	<b>DESCRIPTION</b>
29	10012-003	2	SPACER
30	10006-016	2	ROLLER (EXIT RAMP)
31	10004-016	2	WEIGHT
32	99003-015	1	WASHER, NYLON, 5/16 X 1/16
33		2	WASHER, FLAT, 5/16
34		1	NUT, HEX HEAD, 5/16-24
35		4	SET SCREW, 10-32 X 3/8
36		1	SET SCREW, 8-32 X 1/8
37		2	SCREW, PAN HEAD, 6-32 X 2-1/2
38		2	SCREW, BUTTON HEAD, 8-32 X 1-1/4
39		2	SCREW, BUTTON HEAD, 8-32 X 1/2
40		1	SCREW, SKT HD, 10-24 X 1/2
41		4	SCREW, FLAT HEAD, 6-32 X 1/2
42		2	SCREW, FLAT HEAD, 10-24 X 3/8

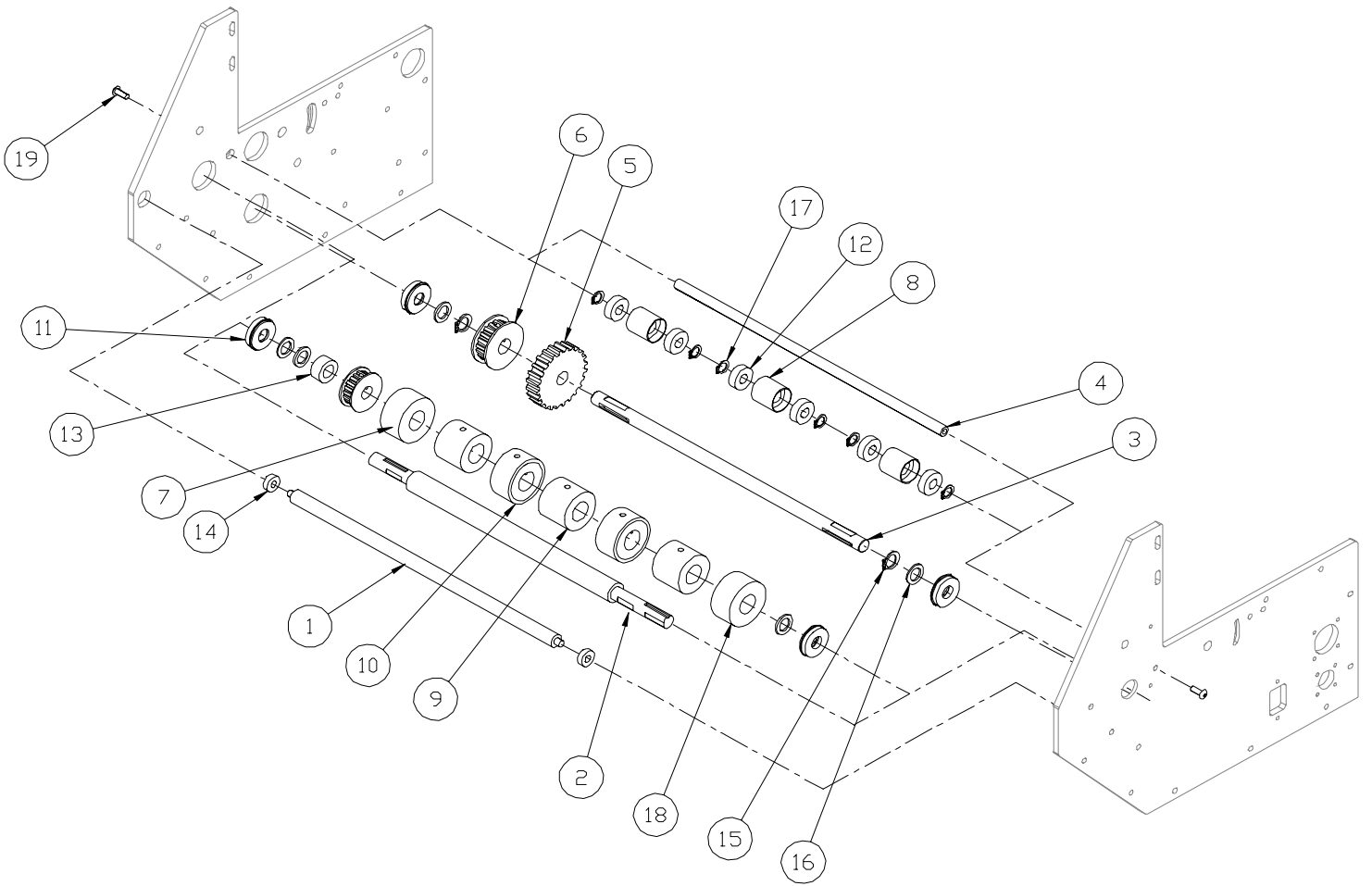
FIG. 8



**FEEDMAX FEEDER (Fig. 9)**  
**FRONT / NIP / IDLER / JACK SHAFT ASSEMBLIES**

<b>ITEM</b>	<b>PART NO.</b>	<b>QTY.</b>	<b>DESCRIPTION</b>
1	10004-024	1	SHAFT, FRONT
2	10004-132	1	SHAFT, NIP ROLLER
3	10004-022	1	SHAFT, JACK
4	10004-023	1	SHAFT, IDLER
5	99002-005	1	PULLEY, TIMING, 36XL037
6	99002-006	1	PULLEY, TIMING, 24XL037
7	99002-054	1	PULLEY, TIMING, 20XL037
8	10006-012	3	ROLLER, IDLER
9	10006-071	3	PULLEY, MATE, 3/4 BORE
10	10006-070	2	ROLLER, NIP, 3/4 BORE
11	99003-007	4	BEARING, 1/2 X 1-1/8, SEALED W/ S.R.
12	99003-008	6	BEARING, 3/8 X 7/8, SEALED W/ S.R.
13	99017-004	1	COLLAR, SET, 1/2
14	99003-002	2	BEARING, 1/4 X 5/8, SELAED
15	99022-004	2	SNAP RING, 1/2
16	99003-018	5	WASHER, NYLON, 1/2 X 1/16
17	99022-003	6	SNAP RING, 3/8
18	10006-069	2	ROLLER, FEEDER, 3/4 BORE
19		2	SCREW, BUTTON HEAD, 10-24 X 1/2

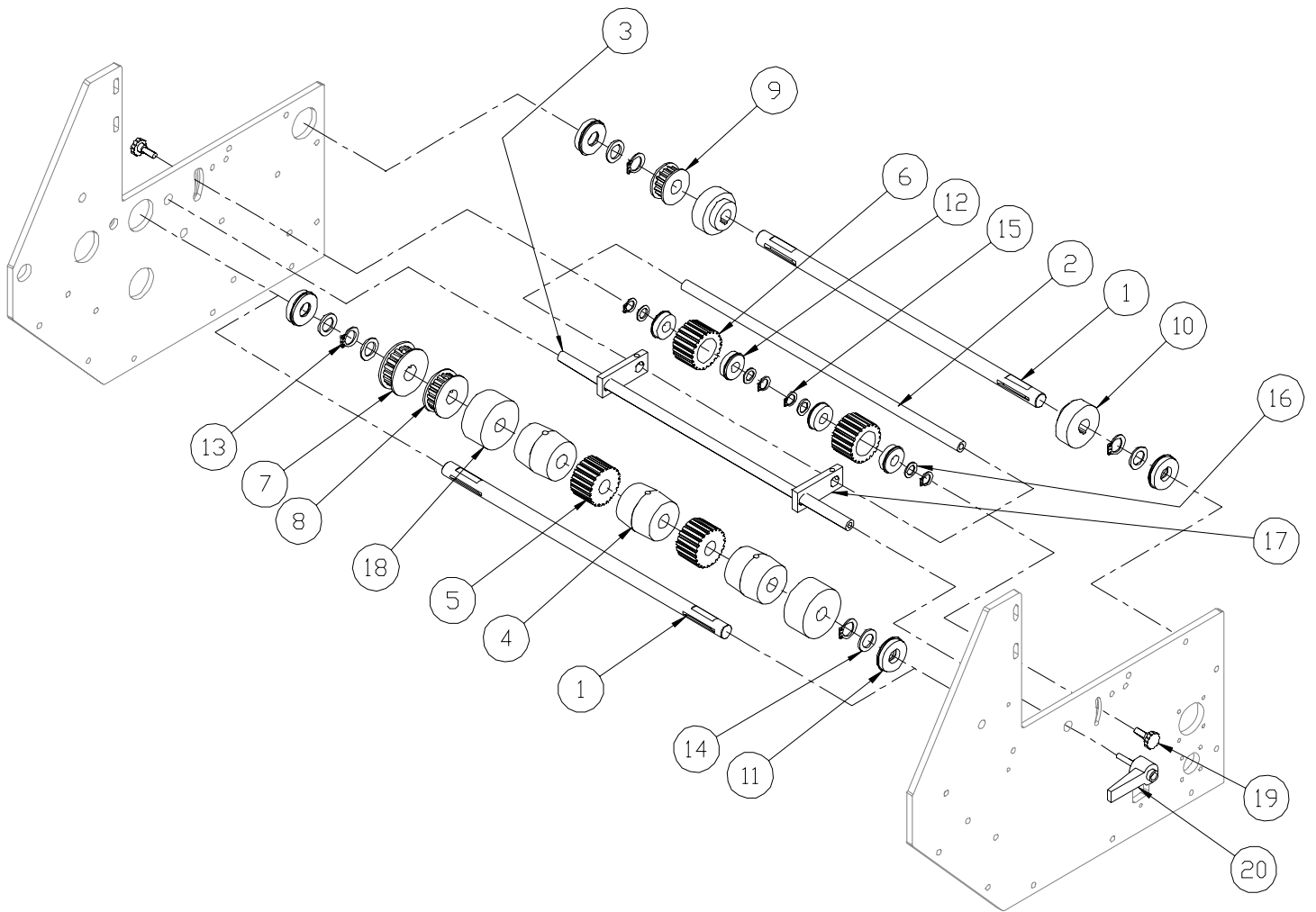
FIG. 9



**FEEDMAX FEEDER (Fig. 10)**  
**MAIN / ELEVATOR / CAM SHAFT ASSEMBLIES**

<b>ITEM</b>	<b>PART NO.</b>	<b>QTY.</b>	<b>DESCRIPTION</b>
1	10004-022	2	SHAFT, MAIN
2	10004-023	1	SHAFT, IDLER
3	10004-014	1	SHAFT, ELEVATOR ADJ.
4	10006-018	3	PULLEY, CROWNED
5	10006-021	2	PULLEY, DRIVE, 22XL875
6	10006-022	2	PULLEY, IDLE, 24XL875
7	99002-074	1	PULLEY, TIMING, 22XL037, 1/2 BORE (NO HUB)
8	99002-054	1	PULLEY, TIMING, 20XL037
9	99002-054	1	PULLEY, TIMING, 20XL037
10	10006-048	2	CAM
11	99003-007	4	BEARING, 1/2 X 1-1/8, SEALED W/ S.R.
12	99003-008	4	BEARING, 3/8 X 7/8, SEALED
13	99022-004	2	SNAP RING, 1/2
14	99003-018	3	WASHER, NYLON, 1/2 X 1/16
15	99022-003	4	SNAP RING, 3/8
16	99003-017	4	WASHER, NYLON, 3/8 X 1/16
17	10007-068	2	BLOCK, ELEVATOR BELT ADJ.
18	99004-003	1	HANDLE, RACHET, 10-24
19	99004-002	2	KNOB, #10 SCREW

FIG. 10

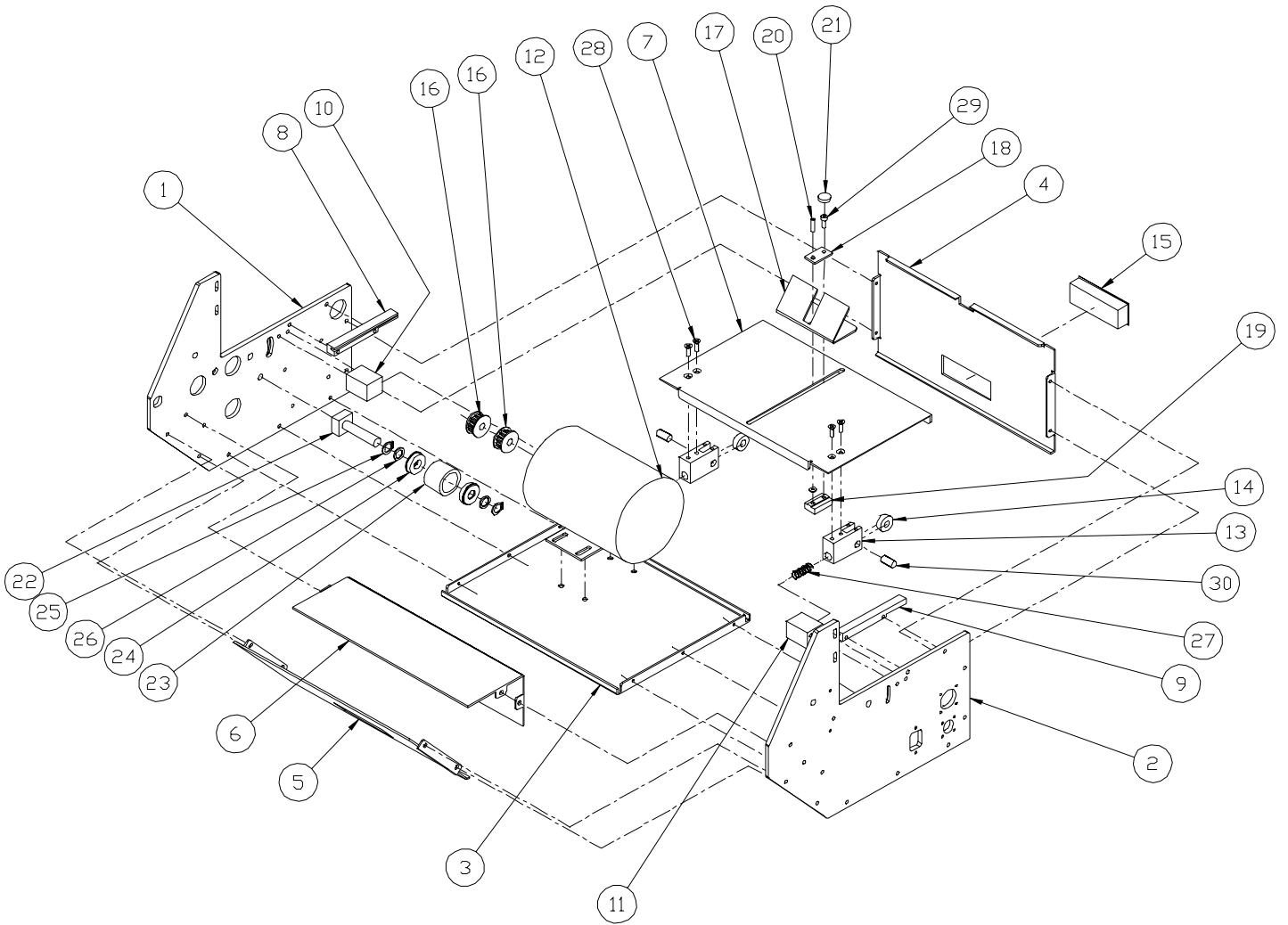




**FEEDMAX FEEDER (Fig. 11)**  
**CHASIS / TENSIONER / MOTOR ASSEMBLIES**

ITEM	PART NO.	QTY.	DESCRIPTION
1	10000-044	1	SIDE FRAME, RH, FEEDMAX
2	10000-050	1	SIDE FRAME, LH, FEEDMAX (IJ SERIES)
3	10002-010	1	COVER, BOTTOM
4	10001-030	1	COVER, REAR
5	10001-029	1	COVER, FRONT
6	10001-031	1	COVER, ELECTRONICS
7	10011-021	1	COVER, TOP PLATE (VIBRATING)
8	10007-052	1	BLOCK, CHANNEL, RH
9	10007-051	1	BLOCK, CHANNEL, LH
10	10007-054	1	BLOCK, CAM SPRING ANCHOR, RH
11	10007-053	1	BLOCK, CAM SPRING ANCHOR, LH
12	99001-012	1	MOTOR, 1/6 HP, 42 FRAME
13	10007-055	2	BLOCK, CAM FOLLOWER MTG.
14	99003-008	2	BEARING, 3/8 X 7/8
15	99012-002	2	HANDLE, POCKET PULL
16	99002-030	2	PULLEY, TIMING, 16XL037, 3/8 BORE
17	10005-088	1	GUIDE, REAR WEDGE, 3-1/4" W
	10005-103	1	GUIDE, REAR WEDGE, EXTENDED (OPTION)
	10005-104	1	GUIDE, REAR WEDGE, 5-1/2" W (OPTION)
18	10007-004	1	WASHER, PAPER SLIDE
19	10007-003	1	NUT, PLATE SLIDE
20	99006-020	1	ROLL PIN, 5/32 X 3/4
21	99004-002	1	KNOB, #10 SCREW
22	18004-022	1	SHAFT, ECCENTRIC, .5 DIAM X 2.00" LONG
23	18006-012	1	PULLEY, FLAT IDLER
24	99003-007	2	BEARING, 1/2 X 1-1/8, SEALED W/ S.R.
25	99022-004	2	SNAP RING, 1/2
26	99002-018	2	WASHER, NYLON, 1/2 X 1/16
27	99005-006	2	SPRING, COMPRESSION
28		4	SCREW, FLAT HEAD, 10-24 X 1/2
29		1	SCREW, SKT HEAD, 10-14 X 3/4
30	99006-005	2	PIN, DOWEL, 3/8 X 3/4

FIG. 11



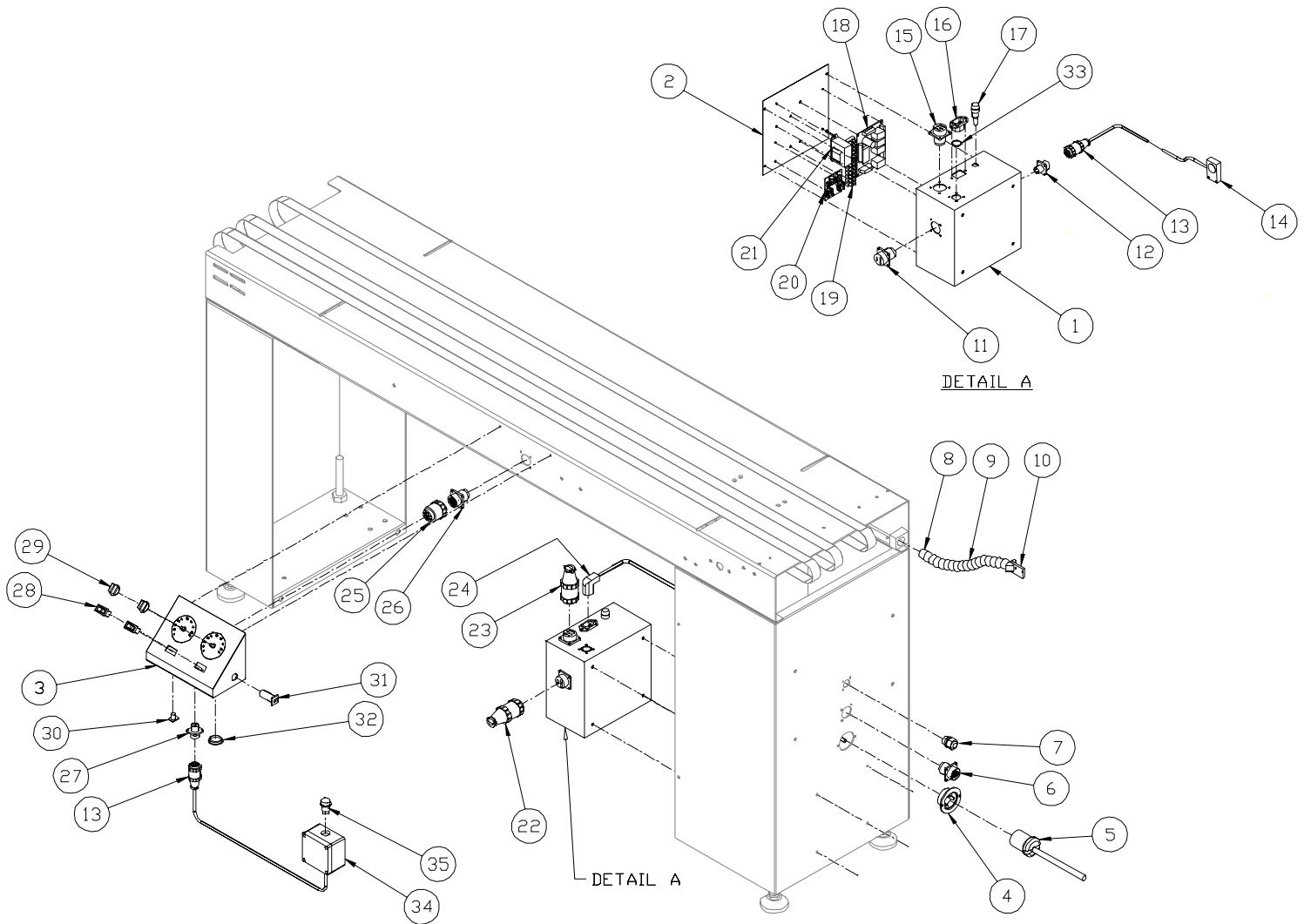
## ELECTRICAL - FEEDMAX CONVEYOR (Fig. 12)

ITEM	PART NO.	QTY.	DESCRIPTION
1	12013-015	1	ENCLOSURE, ELCTRICAL CONTROL
2	12013-017	1	COVER, CONTROL ENCLOSURE
3	10013-016	1	ENCLOSURE, CONTROL CONSOLE
4	98016-074	1	RECEPTICAL, HUBBEL, 3 PIN, 115V
5	98016-073	1	PLUG, HUBBEL, 3PIN, 115V
6	98016-010	1	RECEPTICAL, SQ FL, AMP, 17-16 MALE
7	98015-001	1	STRAIN RELIEF, 1/2"
8	98019-053	1	CONNECTOR, 1/2 NPT, MALE
9	98019-055	1.5 ft	HOSE SEGMENTS, 1/2"
10	98019-054	1	NOZZLE, SENSOR MTG.
11	98016-002	1	RECEPTICAL, SQ FL, AMP, 17-3 FEMALE
12	98016-011	1	RECEPTICAL, SQ FL, AMP, 11-4 FEMALE
13	98016-029	2	PLUG, AMP, 11-4 MALE W/
	98016-015	2	BACKSHELL, PLASTIC, SIZE 11
14	98009-001	1	SENSOR, BANNER AN7
15	98016-093	1	RECEPTICAL, SQ FL, AMP, 17-9 FEMALE
16	98003-001	1	RECEPTICAL, POWER CORD
17	98004-027	1	HOLDER, FUSE W/
	98004-018	1	FUSE, 3 AMP, 250V, 5X20MM
18	98023-005	1	I/O BOARD, FEEDMAX
19	98001-002	1	TERMINAL STRIP, 12 POSITION
20	98005-001	1	MOTOR CONTROLLER, 90V DC W/ SPEED POT
21	98008-001	1	TRANSFORMER
22	98016-004	1	PLUG, AMP, 17-3 MALE W/
	98016-005	1	BACKSHELL, PLASTIC, SIZE 17
23	98016-094	1	PLUG, AMP, 17-9 MALE W/
	98016-005	1	BACKSHELL, PLASTIC, SIZE 17
24	98007-001	1	POWER CORD, 90 DEG ANGLED
25	98016-092	1	PLUG, AMP, 17-14 MALE
26	98016-091	1	RECEPTICAL, SQ FL, AMP, 17-14 FEMALE
27	98016-011	1	RECEPTICAL, SQ FL, AMP, 11-4 FEMALE
28	98000-001	2	POWER SWITCH, RED ROCKER (LARGE)

## **ELECTRICAL - FEEDMAX CONVEYOR (Fig. 12)**

<b>ITEM</b>	<b>PART NO.</b>	<b>QTY.</b>	<b>DESCRIPTION</b>
29	99004-015	2	KNOB, SPEED POT
30	98000-033	1	ROCKER SWITCH, RED (SMALL)
31		1	CIRCUIT BREAKER, 5 AMP
32	98015-012	1	FINISHING, PLUG, 1-1/8 HOLE, BLACK PLASTIC
33	98015-021	1	FINISHING, PLUG, 3/4 HOLE, BLACK PLASTIC
34		1	MOUNTING BOX, INTERRUPT PUSH BUTTON
35		1	PUSH BUTTON, RED, INTERRUPT

FIG. 12



## ELECTRICAL - FEEDMAX FEEDER (Fig. 13)

ITEM	PART NO.	QTY.	DESCRIPTION
1	98003-001	1	RECEPTICAL, POWER CORD
2	98016-011	1	RECEPTICAL, SQ FL, AMP, 11-4 FEMALE
3	98016-093	1	RECEPTICAL, SQ FL, AMP, 17-9 FEMALE
4	98016-029	1	PLUG, AMP, 11-4 MALE
5	98016-094	1	PLUG, AMP, 17-9 MALE
6	98016-012	1	PLUG, AMP, 17-16 FEMALE
7	98007-001	1	POWER CORD, 90 DEG ANGLED
8	98016-015	1	BACKSHELL, PLASTIC, SIZE 11
9	98016-005	2	BACKSHELL, PLASTIC, SIZE 17
10	98005-001	1	CONTROLLER, MOTOR, 90VDC W/ SPEED POT
11	98001-002	1	TERMINAL STRIP, 12 POSITION
12	98002-002	2	SOCKET, RELAY
13	98002-024	1	RELAY, TIME DELAY, 24VDC / 24VAC
14	98002-001	1	RELAY, TIME DELAY

FIG. 13

