

900-EI
Envelope Inserter
FEEDER
(REPLACE-A-STATION SERIES)

Parts Manual



SURE-FEED ENGINEERING

12050 49th STREET NORTH - CLEARWATER, FL. 33762-4301
PHONE: 727.571.3330 - FAX: 727.571.3443 - TOLL FREE: 1.800.INSERTER
web: sure-feed.com

VERSION HISTORY

The table below summarizes the history of this document as it is published onto the company website(s). It identifies the version, date of issue and revisions and changes.

VERSION	DATE	CHANGES
900-EI_PARTS_REV0	1-24-08	ORIGINAL RELEASE

REVISION CONVENTIONS-DOCUMENT

VERSION: name of document with revision_level of entire document- level designates minor changes that do not require revision change

DATE: date of issue for copying and publication of document.

CHANGES: details of document revision_level.

REVISION CONVENTIONS-PAGES

DRAWING NO. /REVISION: references actual engineering drawing revision used in this document. **NOTE:** item no. in this document BOM corresponds with item no. of referenced engineering drawing.

i.e. BOM title containing (18020-366rA) refers to drawing number (18020-366) and drawing revision (rA, B, ZZZ)

BOM:

Item number revision- signifies new addition to drawing

P/N revision- signifies part number change due to obsolescence, unavailability and/or major change of part

Qty revision- self-explanatory

Description revision- signifies change in part name

DRAWING:

Figure number / revision- signifies the corresponding BOM in this document. Different revision figures are retained due to manufacturing changes made over time.

900 EI FEEDER ENVELOPE INSERTER

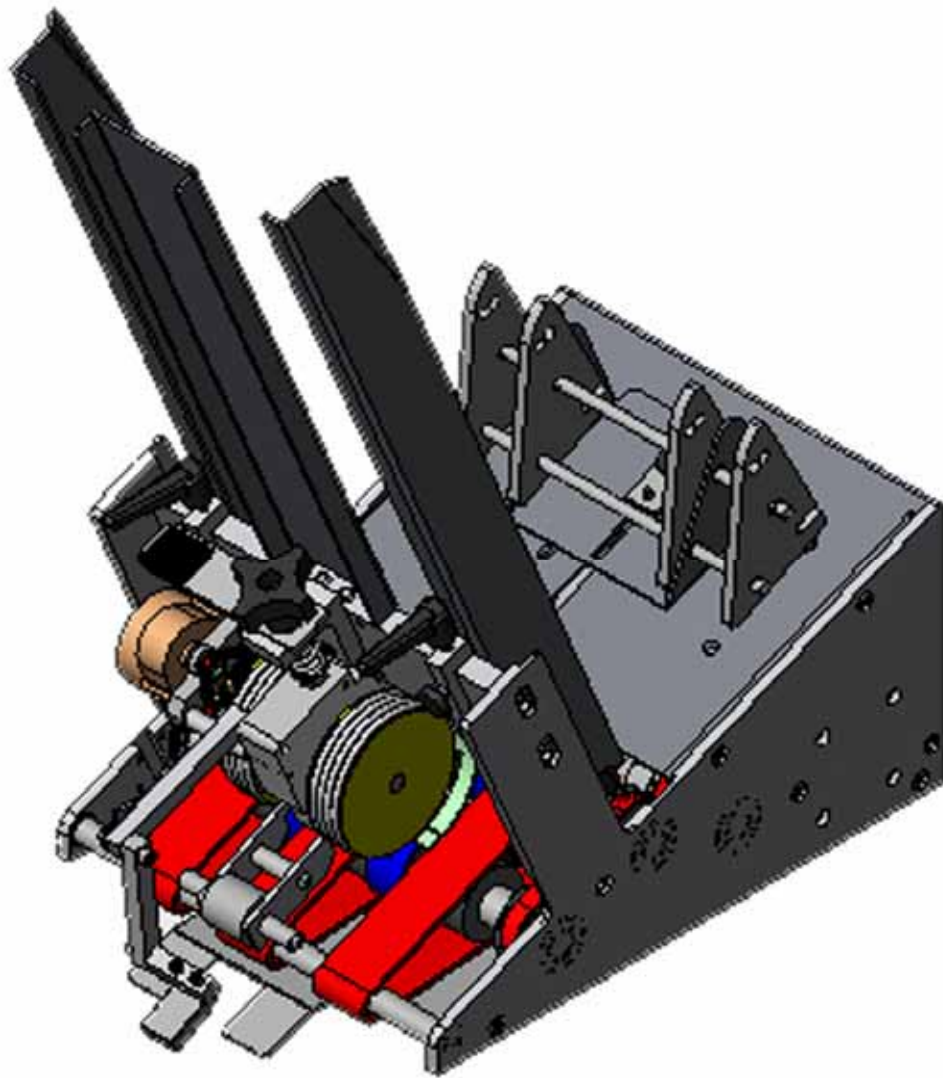


TABLE OF CONTENTS

900 EI FEEDER

FEEDER ASSEMBLY (FIG. 1)	4-5
110V SEPARATOR W/CROSSBAR (FIG. 2)	6
110V SEPARATOR (FIG. 2A)	7-8
FRONT SHAFT (FIG. 3)	9
NIP ROLLER SHAFT (FIG. 4)	10
MAIN SHAFT (FIG. 5)	11
CLUTCH SHAFT (FIG. 6)	12
IDLER SUPPORT SHAFT (FIG. 7)	13
MOTOR (FIG. 8)	14
CHASSIS (FIG. 9)	15-16
SENSOR ARM (FIG. 10)	17
TRAILING ARM (FIG. 11)	18
SIDE GUIDES (FIG. 12)	19
PAPER SLIDE (FIG. 13)	20
KNOCKDOWN (FIG. 14)	21
ELECTRICAL (FIG. 15)	22

**900 EI FEEDER ASSEMBLY (Fig. 1)
(10020-042r0)**

ITEM	PART NO.	QTY.	DESCRIPTION
1	SEE FIG. 2	1	ASSY, 110V SEPARATOR W/CROSSBAR (10020-475)
2	SEE FIG. 3	1	ASSEMBLY, FRONT SHAFT (10020-021)
3	SEE FIG. 4	1	ASSEMBLY, NIP ROLLER SHAFT (10020-029)
4	SEE FIG. 5	1	ASSEMBLY, MAIN SHAFT (10020-044)
5	SEE FIG. 6	1	ASSEMBLY, CLUTCH SHAFT (10020-052)
6	SEE FIG. 7	1	ASSEMBLY, IDLER SUPPORT SHAFT (10020-036)
7	SEE FIG. 8	1	ASSEMBLY, MOTOR (10020-062)
8	SEE FIG. 9	1	ASSEMBLY, CHASSIS (10020-069)
9	SEE FIG. 10	1	ASSEMBLY, SENSOR ARM (10020-006)
10	SEE FIG. 11	1	ASSEMBLY, TRAILING ARM (10020-074)
11	SEE FIG. 12	1	ASSEMBLY, SIDE GUIDES (10020-014)
12	SEE FIG. 13	1	ASSEMBLY, PAPER SLIDE (10020-059)
13	99000-004	3	BELT, RED GUM
14	99000-001	1	BELT, TIMNG, 90XL037
15	99000-002	1	BELT, TIMNG, 110XL037
16	-	-	NOT USED
17	17005-002	1	GUIDE, EXTENSION
18	-	2	SCREW, SKT HEAD, #10-24 X 3/8
19	-	2	NUT, HEX, #10-24
-	SEE FIG. 14	1	ASSEMBLY, KNOCKDOWN (10017-001)

See next page for details

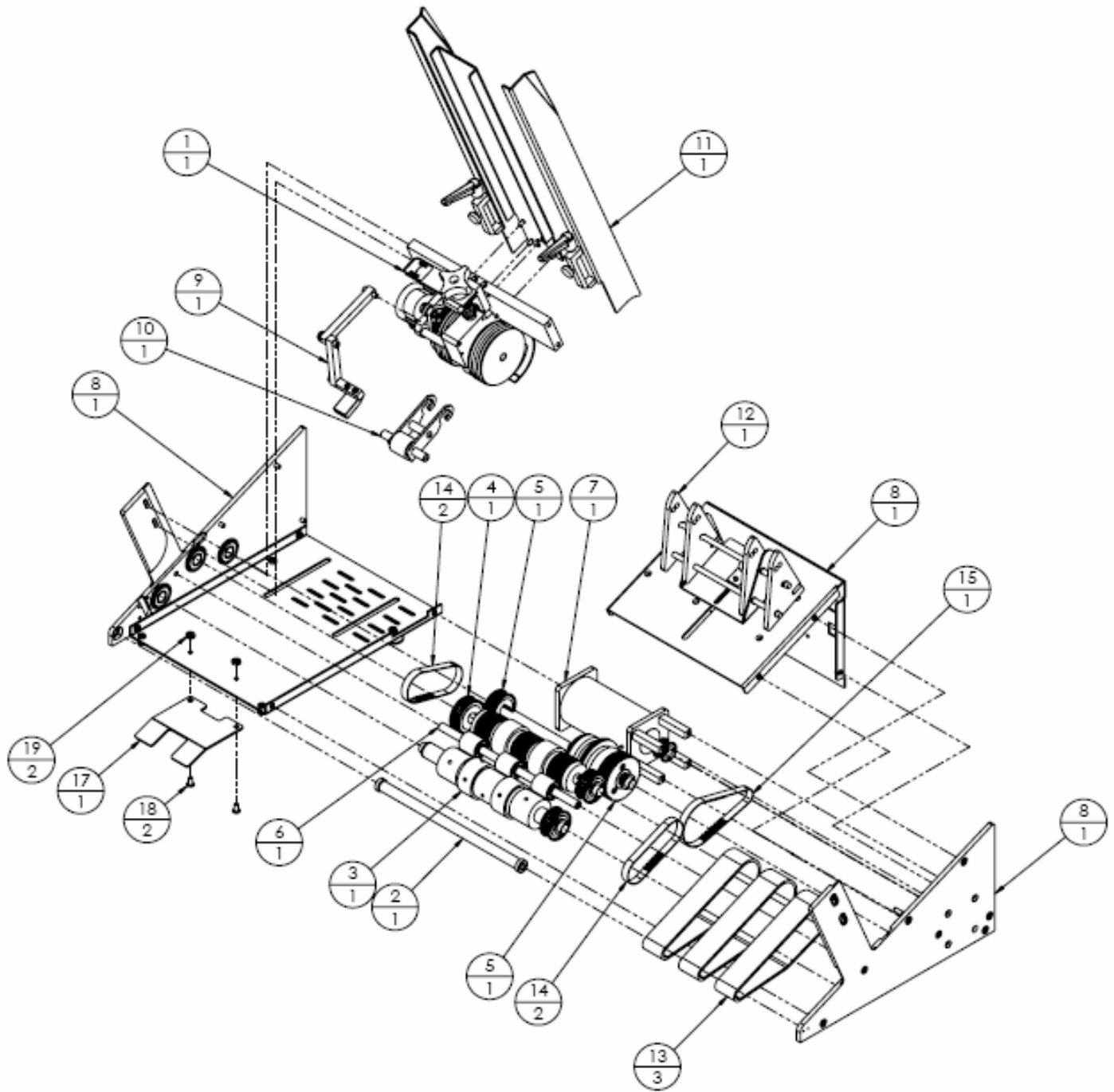
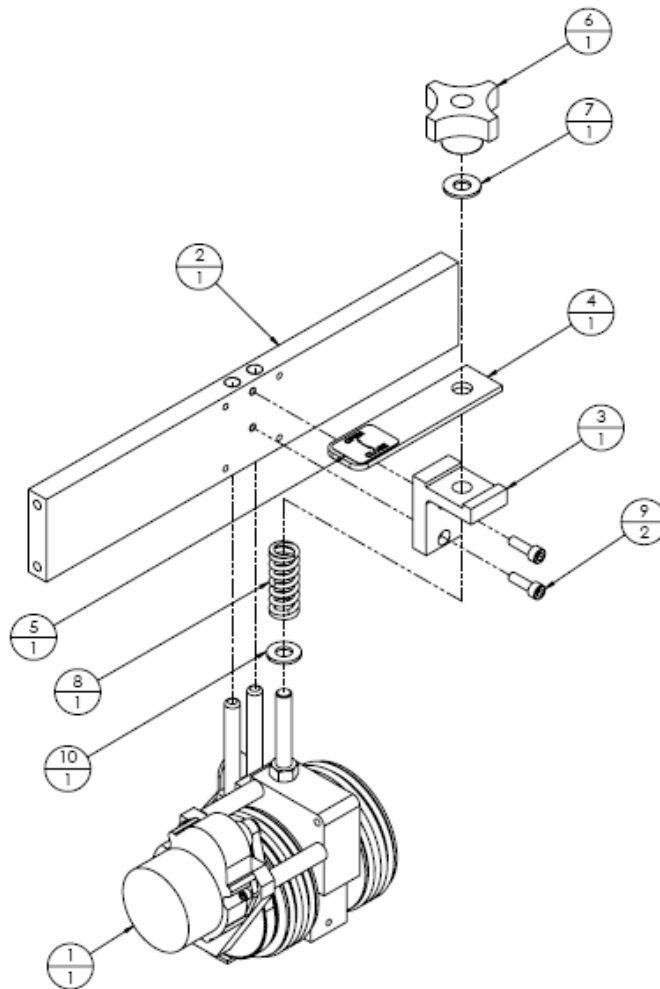


FIG 1 r0

900 EI FEEDER ASSEMBLY (Fig. 2)
110V SEPARATOR W/CROSS BAR (10020-475r0)

ITEM	PART NO.	QTY.	DESCRIPTION
1	SEE FIG. 2A	REF	ASSEMBLY, SEPARATOR, 110V, CCW (10020-004)
2	10003-001	1	CROSS BAR
3	10007-010	1	BLOCK, SEPARATOR ADJUSTING
4	10008-024	1	BAR, SEPARATOR RELEASE
5	18017-008	1	LABEL, FEEDER SEPARATOR ADJUSTING
6	99004-001	1	KNOB, FEMALE 5/16-24
7	99003-015	1	WASHER, NYLON, 5/16 X 1/16 THK
8	99005-045	1	SPRING, COMPRESSION
9	-	2	SCREW, SKT HD, #10-24 X 5/8
10	-	1	FLAT WASHER, 5/16

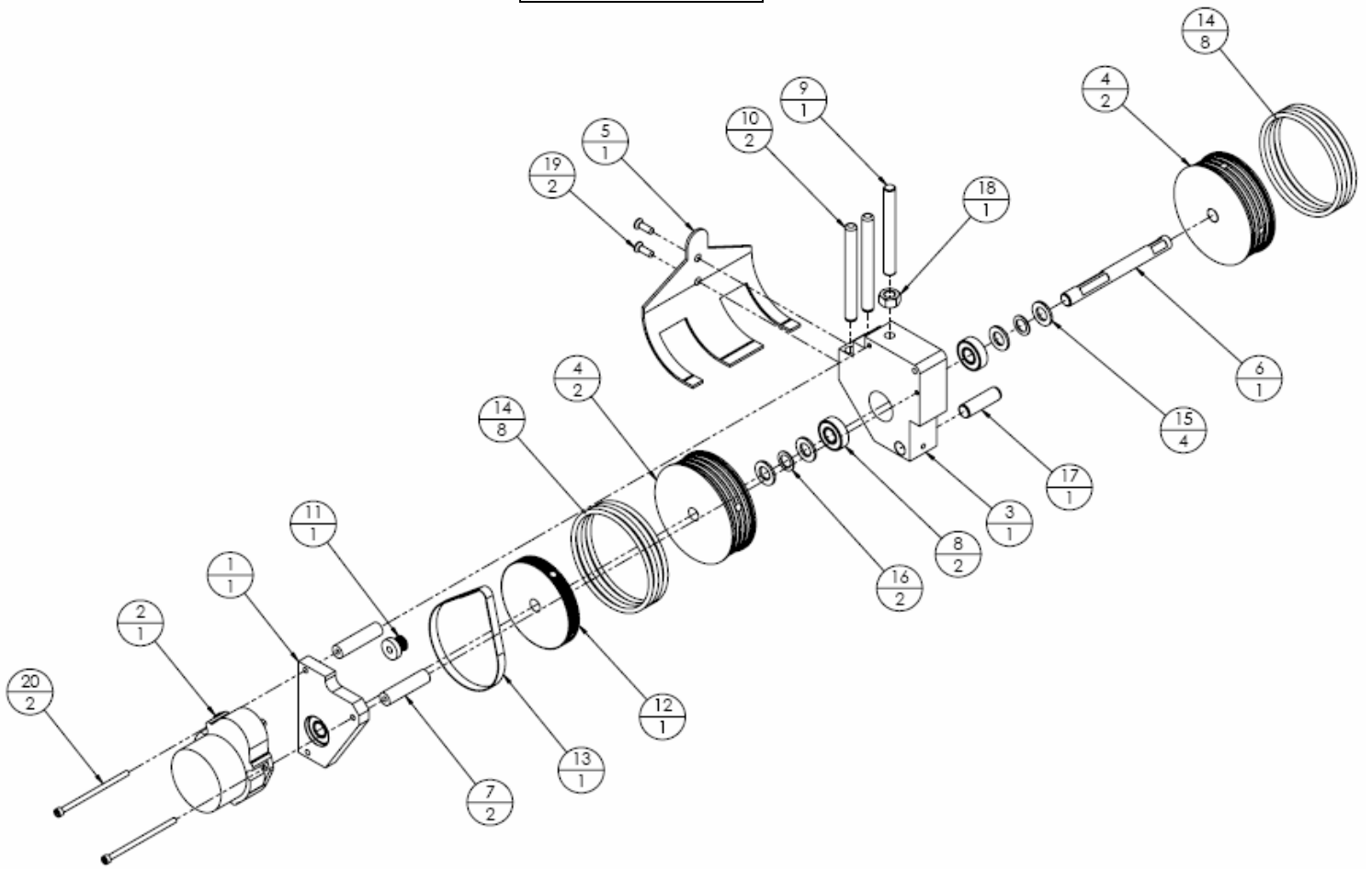


ASSEMBLY, SEPARATOR, 110V, CCW (10020-004r0) (Fig. 2A)

ITEM	PART NO.	QTY.	DESCRIPTION
1	10020-313	1	ASSY, MOTOR PLATE MTG, RH
	10011-001	1 EA	PLATE, MOTOR MOUNT
	99003-001	1 EA	BEARING, 3/8 X 7/8, SHIELDED
2	10018-035	1	ASSY, MOTOR SEPARATOR, 110V, CCW, 60 HZ
	99001-001	1 EA	MOTOR, SEPARATOR, 110 VAC, 1/3 RPM
	98020-065	1 EA	CAPACITOR, 0.25 μ f
	98016-023	1 EA	CONNECTOR, 2-POSITION MALE
3	10007-001	1	BLOCK, SEPARATOR 3" ROLLER
4	10006-001	2	WHEEL, SEPARATOR 3" DIA.
5	10005-003	1	SHROUD, SEPARATOR
6	10004-001	1	SHAFT, SEPARATOR
7	10012-002	2	STANDOFF, SEPARATOR MOTOR
8	99003-001	2	BEARING, 3/8 X 7/8, SHIELDED
9	10004-028	1	STUD, SEPARATOR ADJUSTING
10	99006-002	2	PIN, DOWEL, 5/16 X 3
11	99002-002	1	PULLEY, TIMING, 16MXL025, 3/16B
12	99002-001	1	PULLEY, TIMING, 100MXL025, 3/8B
13	99000-006	1	BELT, TIMING, 115MXL025
14	10014-002	8	O-RING, SEPARATOR 3"
15	99003-017	4	WASHER, NYLON 3/8 X 1/16 THK
16	99003-016	3	WASHER, NYLON 3/8 X 1/32 THK
17	99006-001	1	PIN, DOWEL, 3/8 X 1-1/4
18	-	1	NUT, HEX, 5/16-24
19	-	2	SCREW, FLAT HD, #8-32 X 1/2
20	-	2	SCREW, SKT HD, #6-32 X 2-1/2

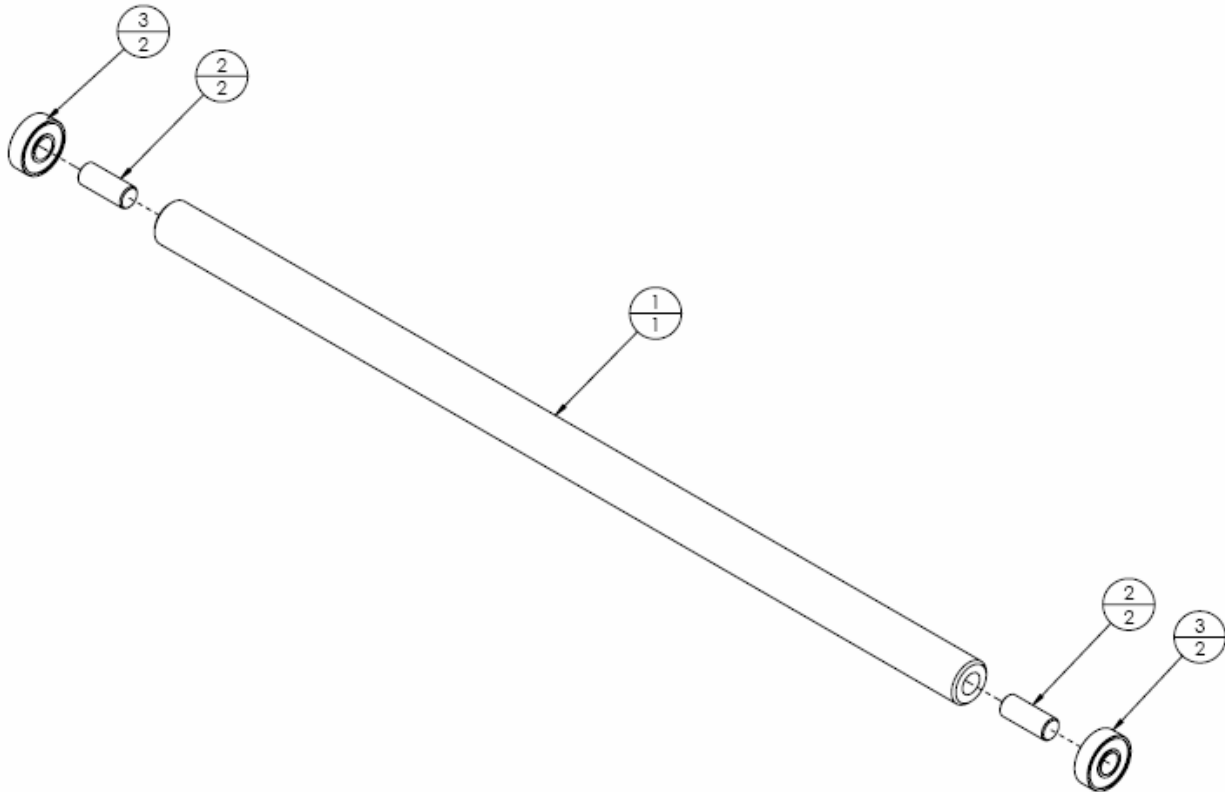
See next page for details

FIG 2A r0



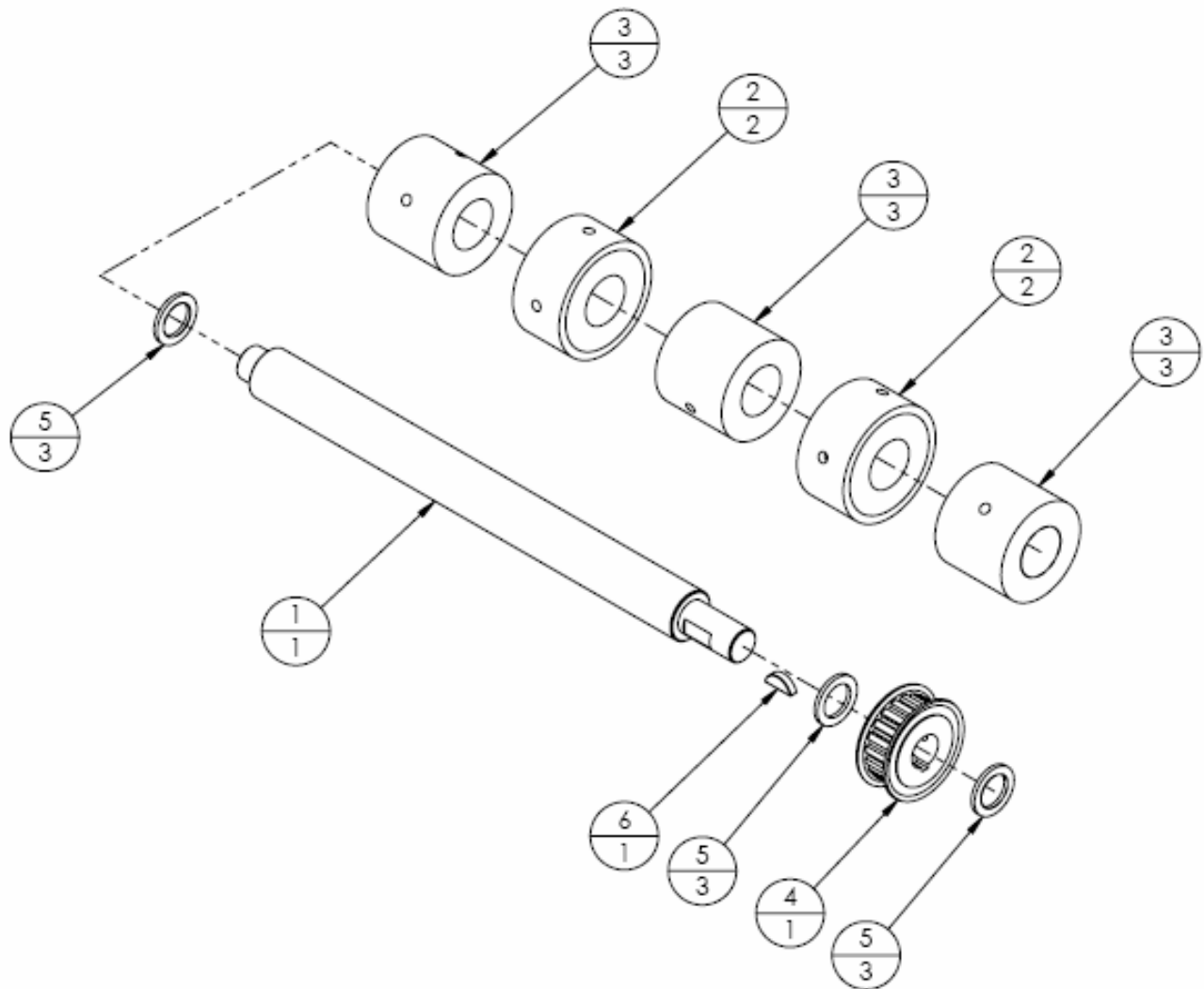
ASSEMBLY, FRONT SHAFT (10020-021r0) (Fig. 3)

ITEM	PART NO.	QTY.	DESCRIPTION
1	10004-0067	1	SHAFT, FRONT
2	99006-028	2	PIN, DOWEL, 1/4 X 5/8
3	99003-056	2	BEARING, 1/4 X 5/8 SEALED



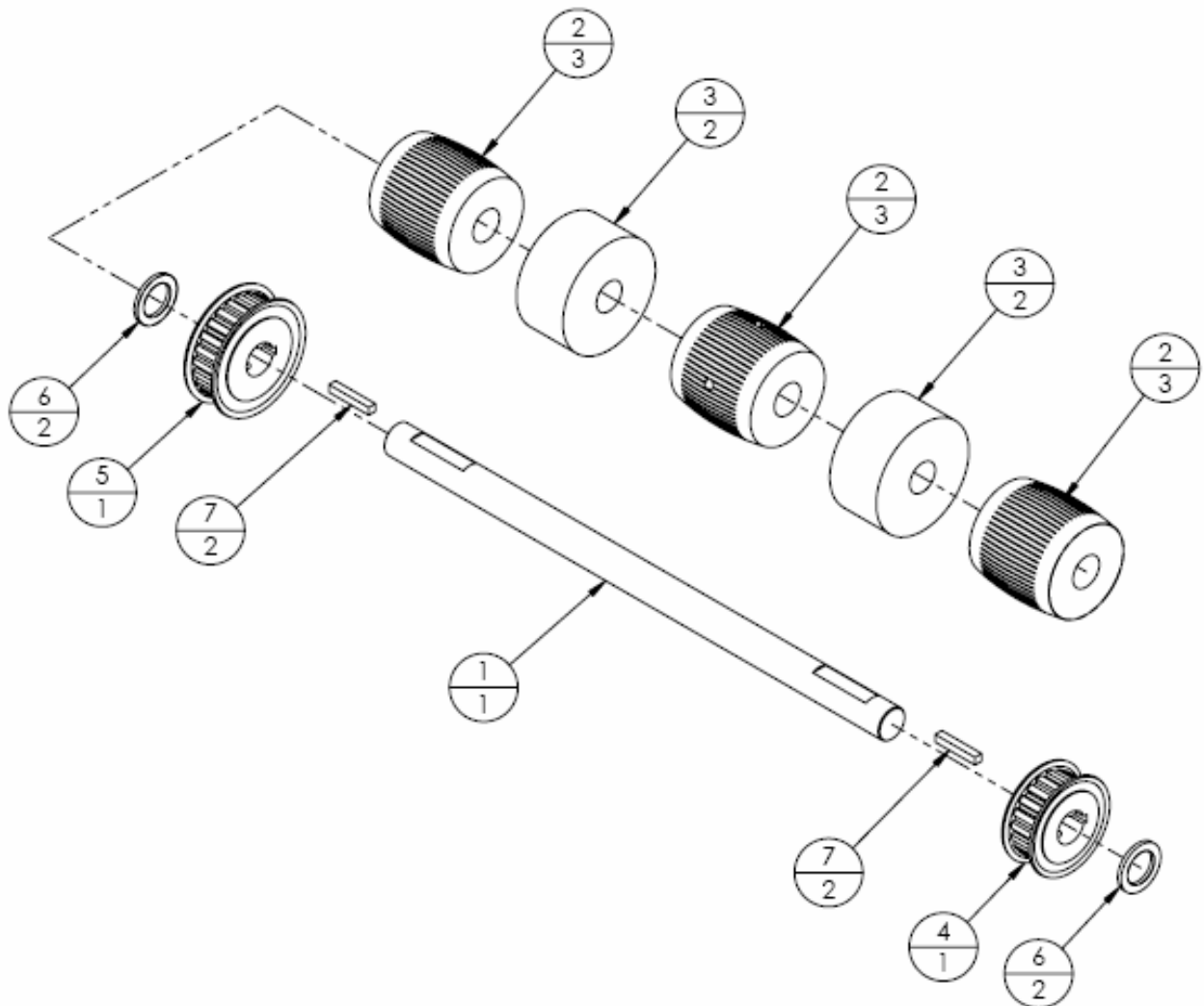
ASSEMBLY, NIP ROLLER SHAFT (10020-029r0) (Fig. 4)

ITEM	PART NO.	QTY.	DESCRIPTION
1	10004-124	1	SHAFT, NIP ROLLER-3/4B
2	10006-070	2	ROLLER, NIP, 3/4 B
3	10006-071	3	PULLEY, MATE, 3/4 B
4	99002-054	1	PULLEY, 20XL037, 1/2B
5	99003-018	3	WASHER, NYLON, 1/2 X 1/16
6	99034-004	1	KEY, WOODRUFF, 1/8 X 1/2



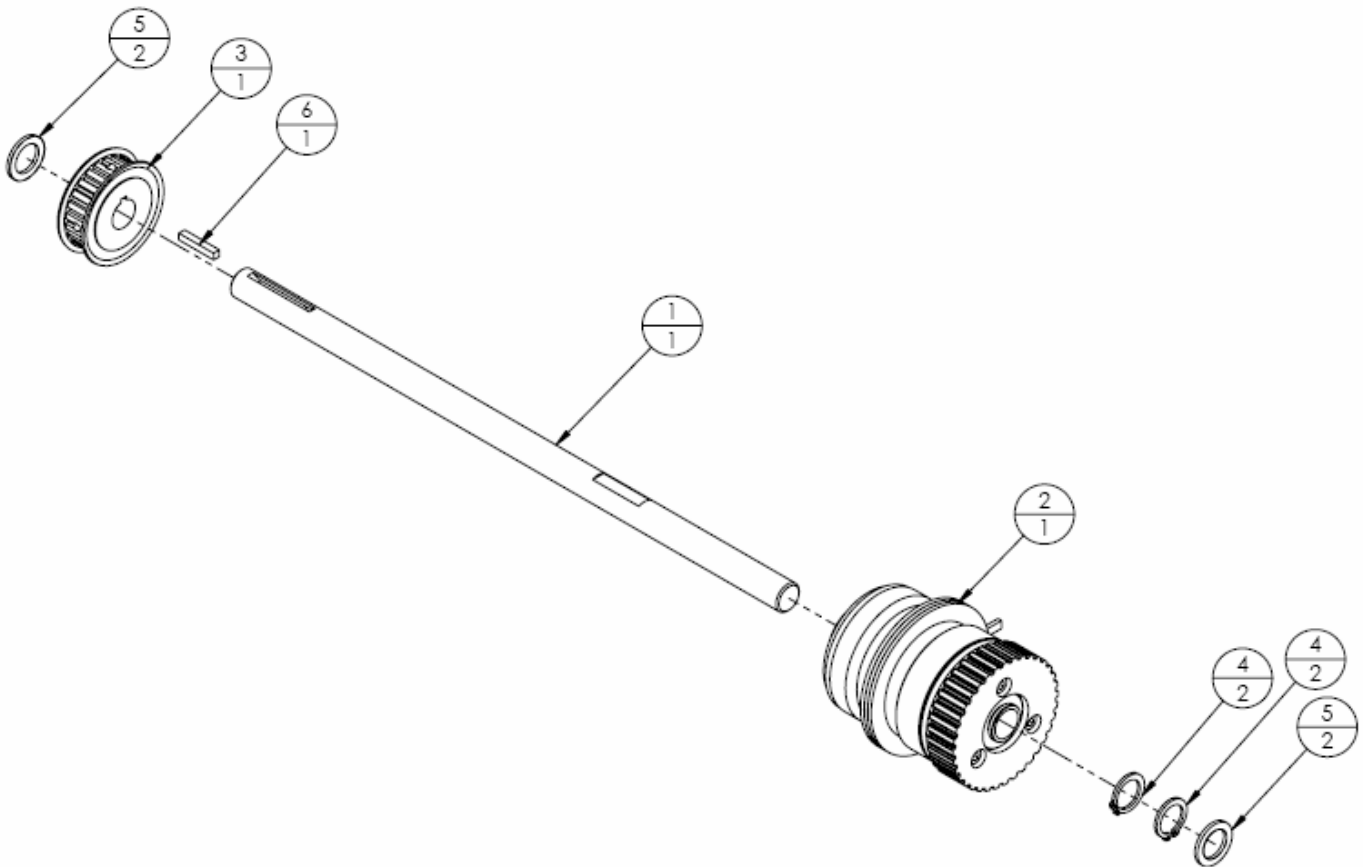
ASSEMBLY, MAIN SHAFT (10020-044r0) (Fig. 5)

ITEM	PART NO.	QTY.	DESCRIPTION
1	10004-002	1	SHAFT, MAIN
2	10006-018	3	PULLEY, CROWNED
3	10006-007	2	ROLLER, FEEDER, 1/2 B
4	99002-054	1	PULLEY, 20XL037, 1/2B
5	99002-031	1	PULLEY, TIMING, 24XL037, NO HUB
6	99003-018	2	WASHER, NYLON, 1/2 X 1/16
7	99034-003	2	KEY, SQUARE, 1/8 X 3/4



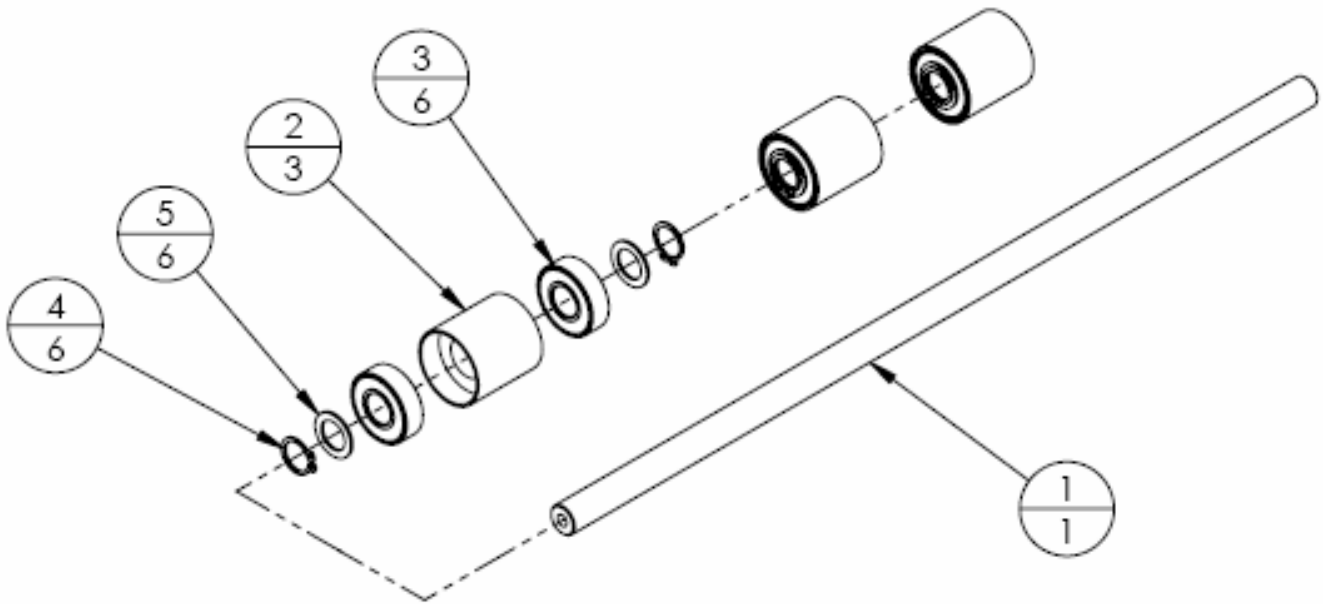
ASSEMBLY, CLUTCH SHAFT (10020-052r0) (Fig. 6)

ITEM	PART NO.	QTY.	DESCRIPTION
1	10004-155	1	SHAFT, CLUTCH
2	99008-010	1	CLUTCH, BRAKE, 24V (LENZA)
3	99002-074	1	PULLEY, TIMING, 22XL037, 1/2B
4	99022-004	2	SNAP RING, 1/2
5	99003-018	2	WASHER, NYLON, 1/2 X 1/16
6	99034-003	1	KEY, SQUARE, 1/8 X 3/4



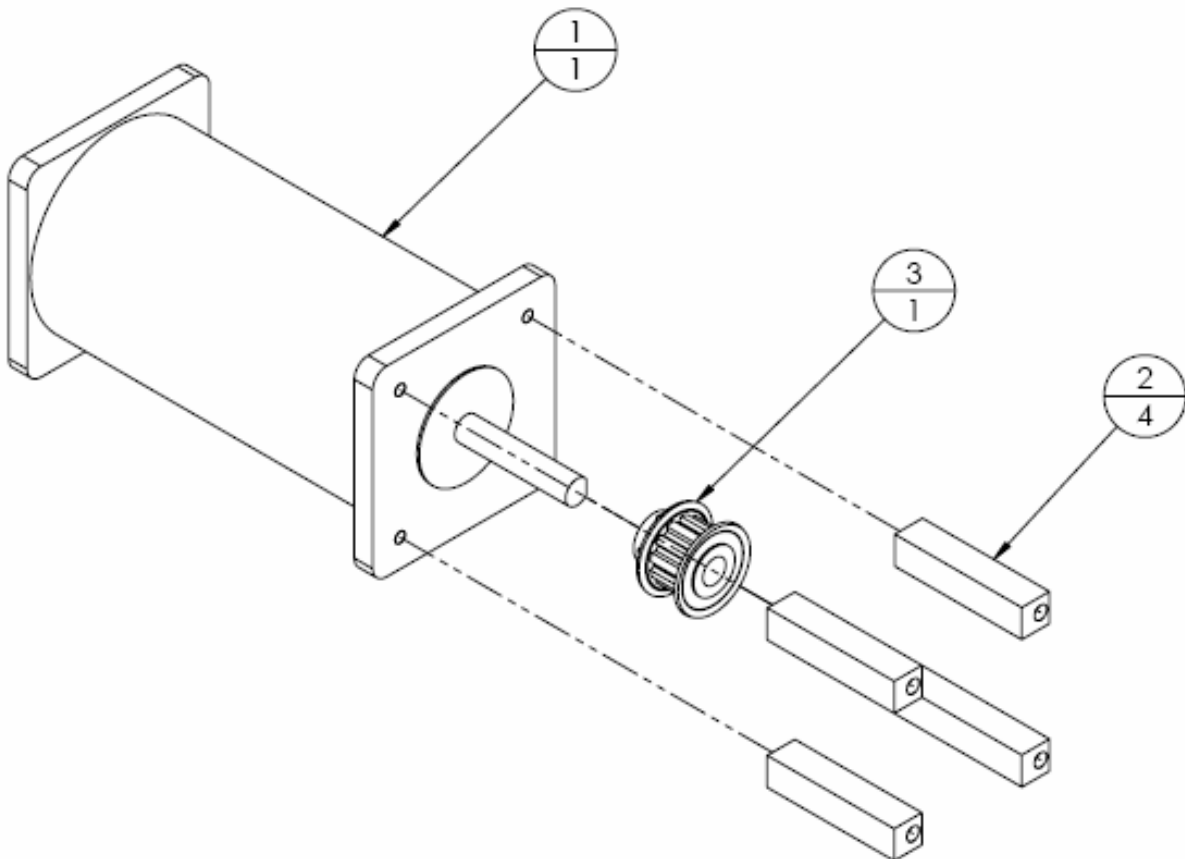
ASSEMBLY, SUPPORT IDLER SHAFT (10020-036r0) (Fig. 7)

ITEM	PART NO.	QTY.	DESCRIPTION
1	10004-003	1	SHAFT, SUPPORT IDLER
2	10006-012	3	ROLLER, IDLER
3	99003-001	6	BEARING, SEALED, 3/8 X 7/8
4	99022-003	6	SNAP RING, 3/8
5	99003-016	6	WASHER, NYLON, 3/8 X 1/32



ASSEMBLY, MOTOR (10020-062r0) (Fig. 8)

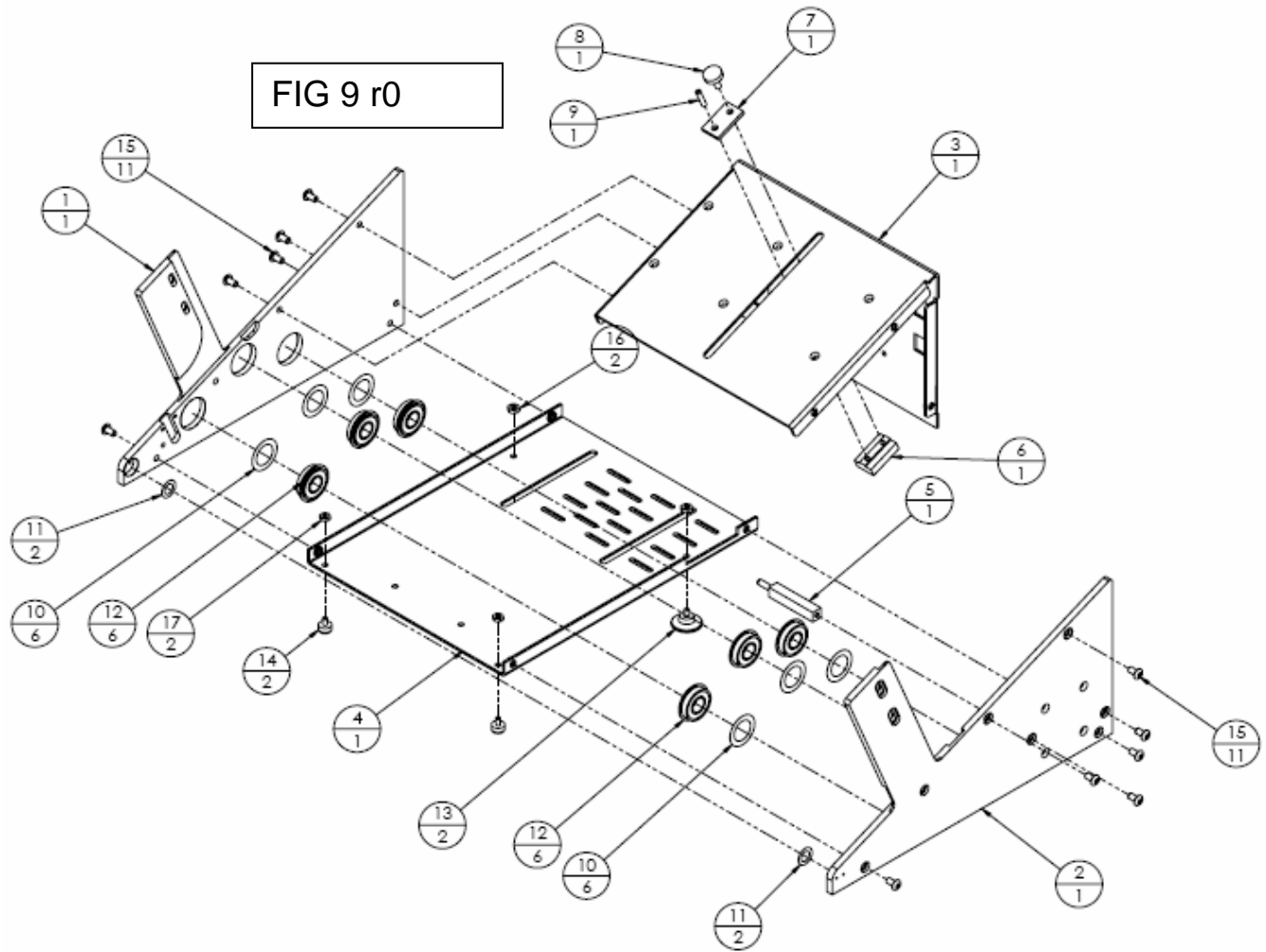
ITEM	PART NO.	QTY.	DESCRIPTION
1	99001-003	1	MOTOR, 1/27 HP, 90VDC
2	10012-001	4	STANDOFF, MOTOR
3	99002-008	1	PULLEY, TIMING, 12XL037-1/2B
	-	4	SCREW, SKT HD, #10-24 X 1/2



ASSEMBLY, CHASSIS (10020-069r0) (Fig. 9)

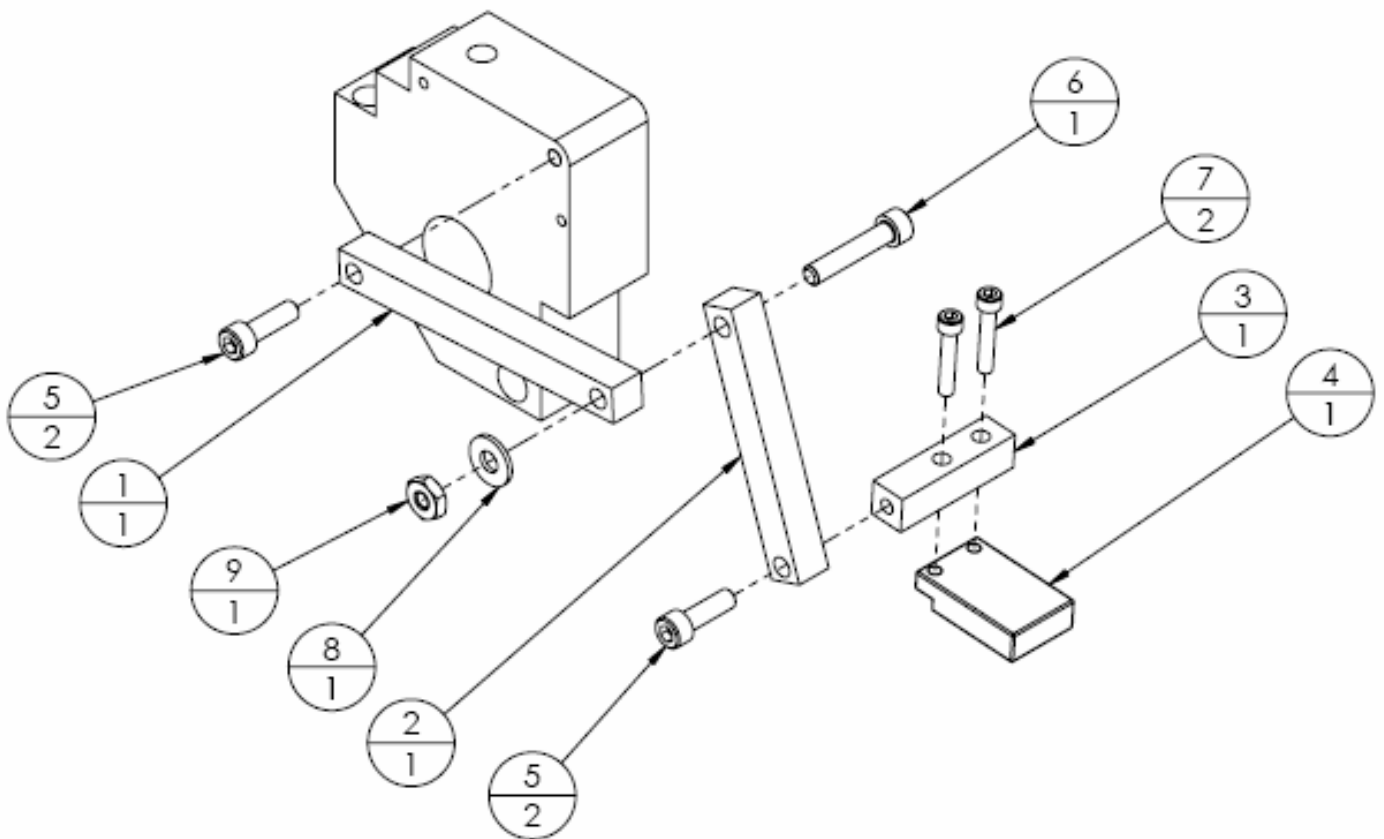
ITEM	PART NO.	QTY.	DESCRIPTION
1	10000-001	1	SIDE FRAME, RH
2	10000-002	1	SIDE FRAME, LH
3	10001-038	1	COVER, TOP
4	10002-001	1	BOTTOM PLATE
5	10020-447	1	ASSY, CLUTCH STOP
-	10008-006	1 EA	CLUTCH STOP
-	99006-021	1 EA	PIN, ROLL, 3/16 X 1-1/4
6	10007-003	1	NUT, PAPER SLIDE
7	10007-004	1	WASHER, PAPER SLIDE
8	10020-317	1	ASSY, KNOB, #10-24 X 1/2
9	99006-020	1	PIN, ROLL, 5/32 X 3/4
10	99036-003	6	SHIM, BEARING, 3/4 X 1-1/8 X .006
11	99036-005	2	SHIM, ARBOR, 3/8 X 5/8 X .006
12	99003-083	6	BEARING, 1/2 X 1-1/8 SEALED
13	99007-001	2	FOOT, SUCTION, #8-32
14	99039-118	2	BUMPER, RND, #6-32 THRD
15	-	11	SCREW, SKT HD, #10-24 X 3/8
16	-	2	HEX NUT, #6-32
17	-	2	HEX NUT, #8-32

See next page for details



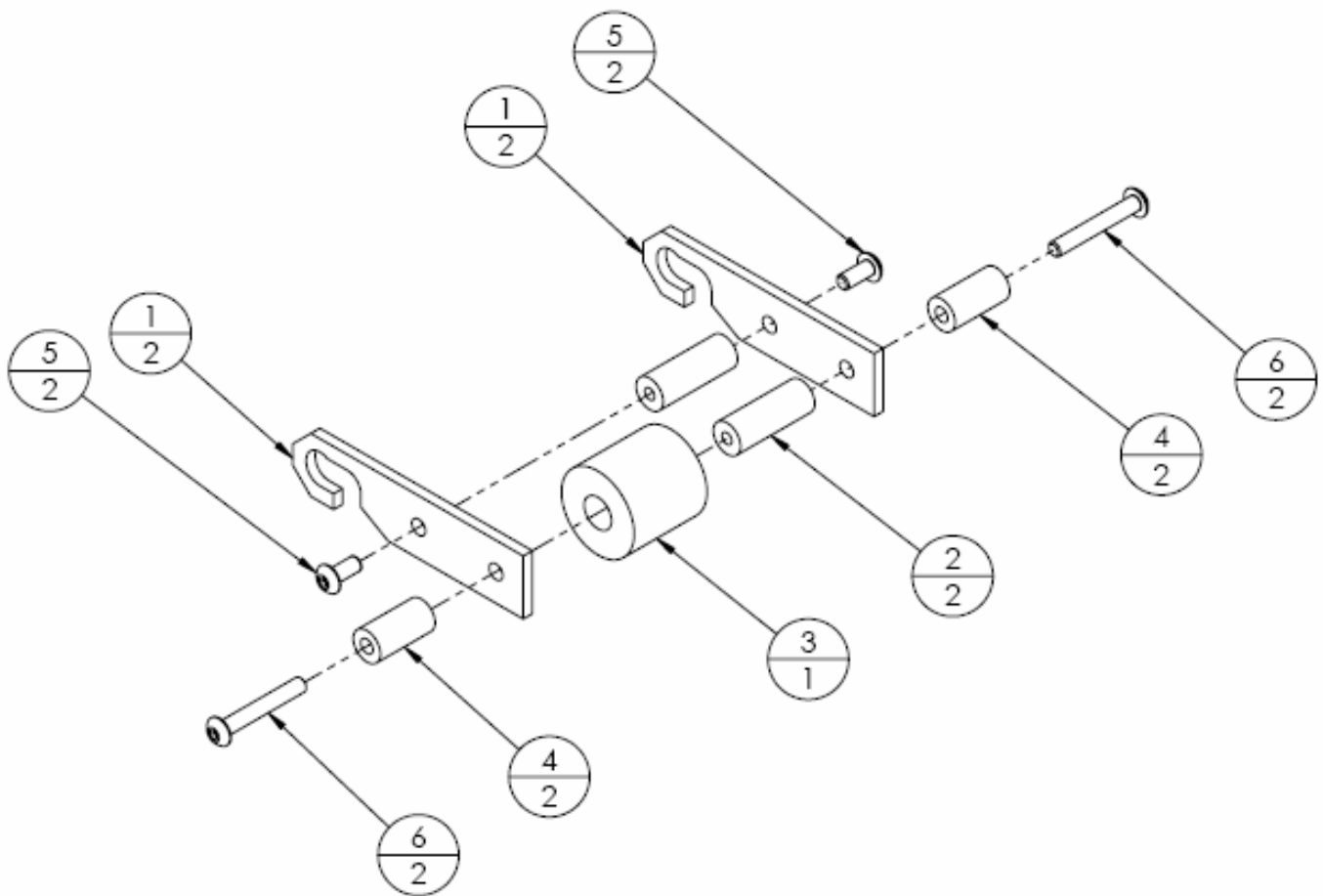
ASSEMBLY, SENSOR ARM (10020-006r0) (Fig. 10)

ITEM	PART NO.	QTY.	DESCRIPTION
1	10009-011	1	ARM, SENSOR
2	10009-007	1	ARM, SENSOR
3	10009-006	1	MOUNT, SENSOR
4	98009-001	1	SENSOR, DIFFUSE RELECTIVE
5	-	2	SCREW, SKT HEAD, #10-24 X 5/8
6	-	1	SCREW, SKT HEAD, #10-24 X 1
7	-	2	SCREW, SKT HEAD, #6-32 X 3/4
8	-	1	FLAT WASHER #10
9	-	1	HEX NUT, #10
-	98016-116	1	CONNECTOR, 3-POS, FEMALE, (.093)



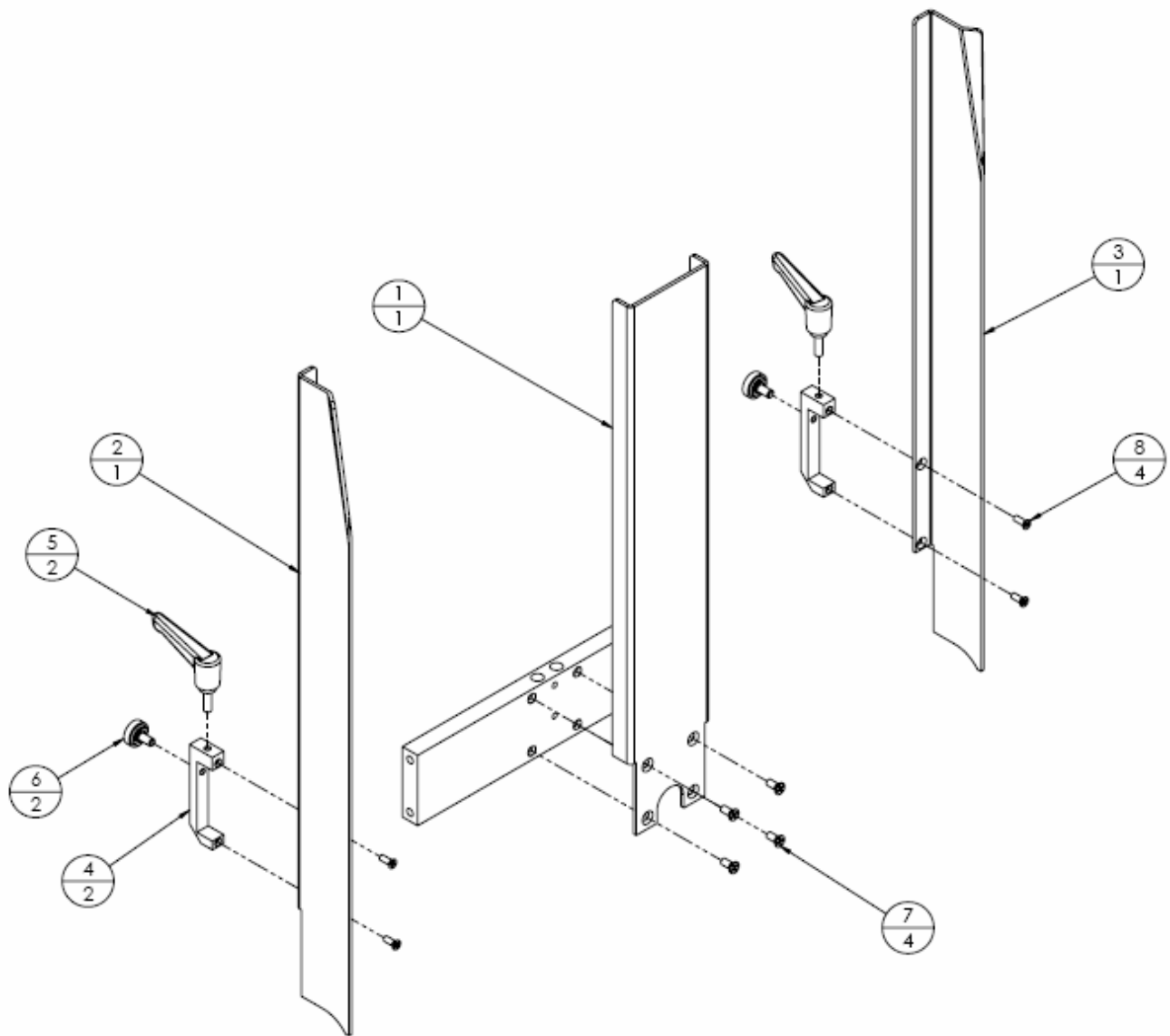
ASSEMBLY, TRAILING ARM (10020-074r0) (Fig. 11)

ITEM	PART NO.	QTY.	DESCRIPTION
1	10011-002	2	PLATE, ROLLER MTG
2	10012-003	2	SPACER, TONGUE
3	10006-016	2	ROLLER, TONGUE
4	10004-007	2	WEIGHT
5	-	1	SCREW, BUTTON HEAD, #8-32 X 3/8
6	-	1	SCREW, BUTTON HEAD, #8-32 X 1-1/8



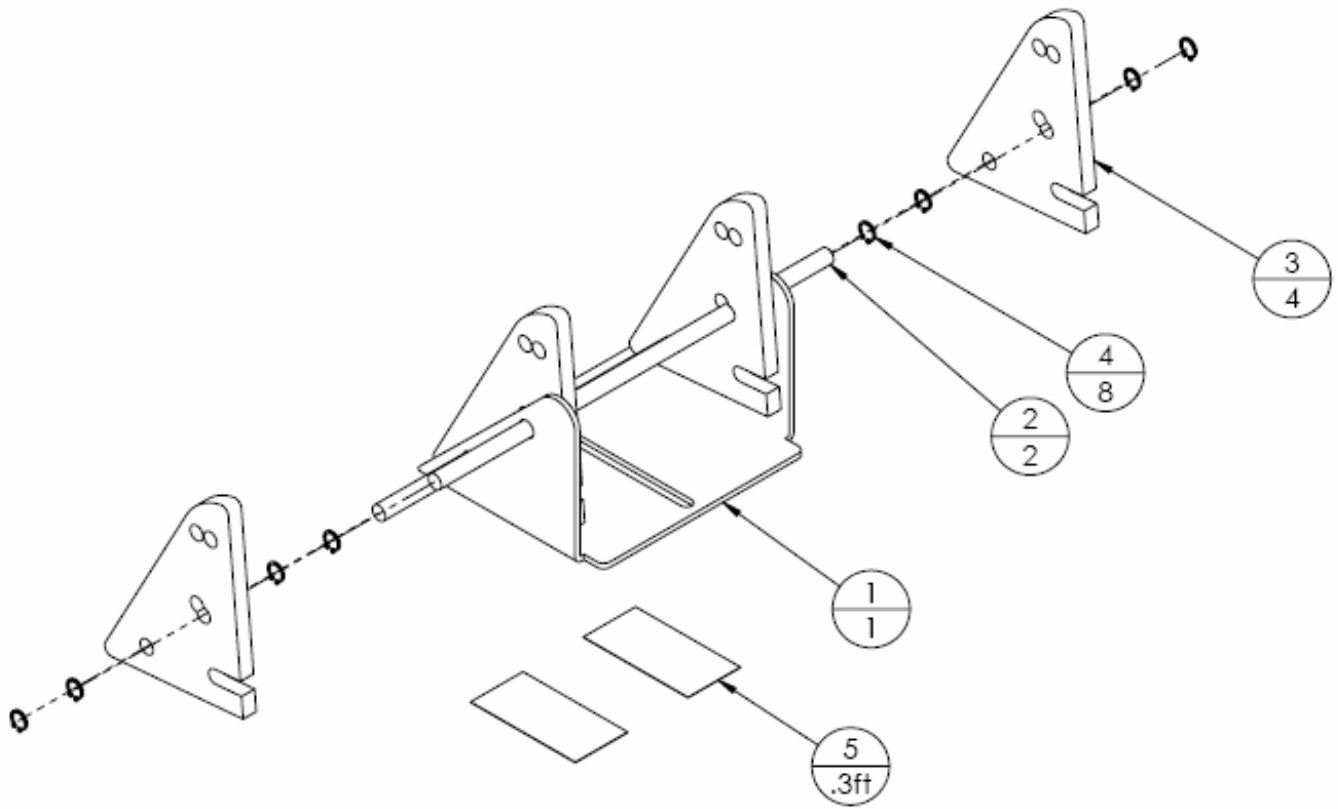
ASSEMBLY, SIDE GUIDES (10020-014r0) (Fig. 12)

ITEM	PART NO.	QTY.	DESCRIPTION
1	10005-002	1	GUIDE, FRONT PAPER
2	10005-011	1	SIDE GUIDE, LH
3	10005-010	1	SIDE GUIDE, RH
4	10009-002	2	BRACKET, SIDE GUIDE MTG
5	99004-003	2	HANDLE, RATCHET, #10-24 X 5/8
6	10020-316	2	ASSY, KNOB, #10-24 X 3/8
7	-	4	SCREW, FLAT HD, #8-32 X 3/8
8	-	4	SCREW, FLAT HD, #6-32 X 3/8



ASSEMBLY, PAPER SLIDE (10020-059r0) (FIG. 13)

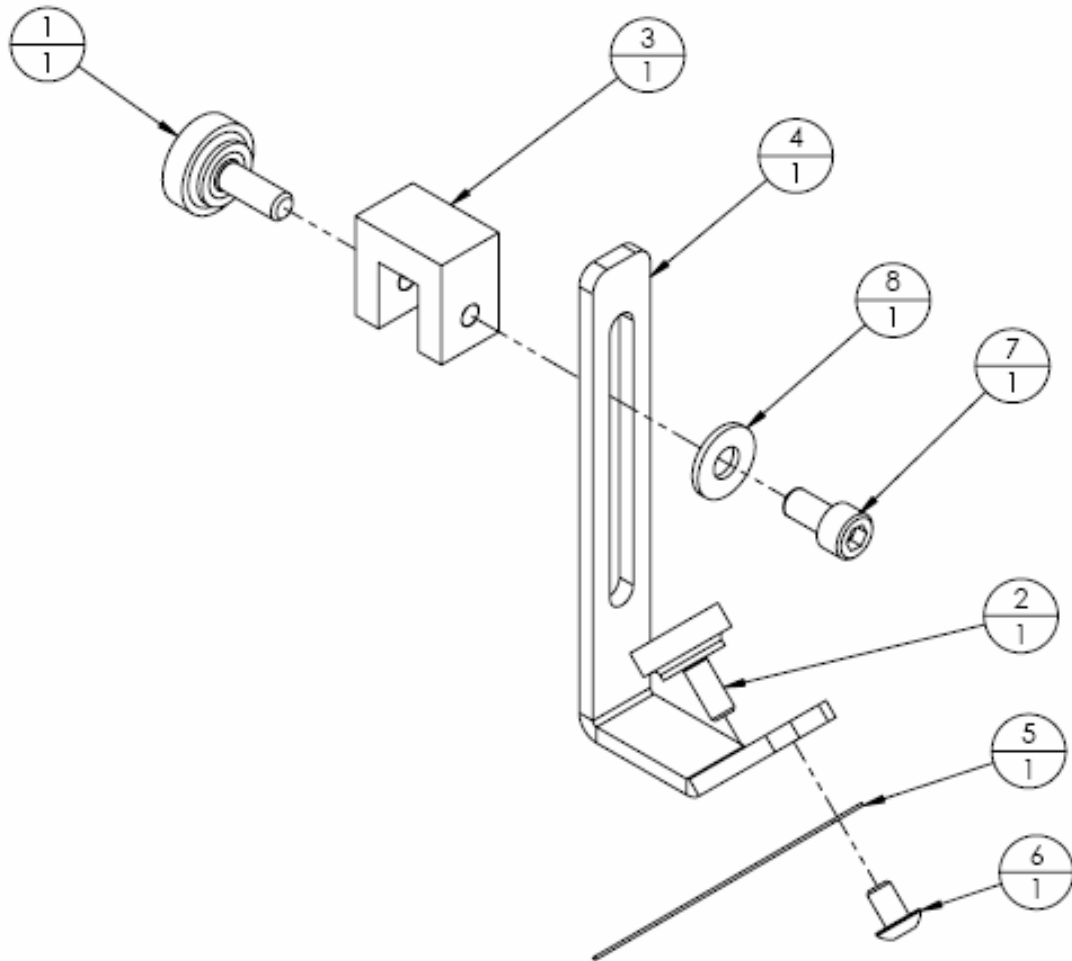
ITEM	PART NO.	QTY.	DESCRIPTION
1	10009-003	1	BRACKET, PAPER SLIDE
2	10004-014	2	SHAFT, PAPER SLIDE
3	10005-016	4	SLIDE, PAPER
4	99022-001	8	SNAP RING, 1/4"
5	99039-009	0.5 FT	ANTI-SKID TAPE, BLACK



ASSEMBLY, PAPER KNOCKDOWN (10017-001r0) (FIG. 14)

ITEM	PART NO.	QTY.	DESCRIPTION
1	10020-317	1	ASSY, KNOB, #10-24 X 1/2
2	10020-318	1	ASSY, KNOB, #8-32 X 3/8
3	10007-019	1	BLOCK, KNOCKDOWN
4	10009-021	1	BRACKET, KNOCKDOWN
5	10005-040	1	GUIDE, SPRING STEEL
6	-	1	SCREW, BUTTON HD, #8-32 X 1/4
7	-	1	SCREW, SKT HD, #10-24 X 3/8
8	-	1	FLAT WASHER, #10

QTY (2) REQUIRED PER FEEDER-TO BE MOUNTED ON CUSTOMER EQUIPMENT



ASSEMBLY, ELECTRICAL (10018-116) (FIG. 15)

ITEM	PART NO.	QTY.	DESCRIPTION
1	98000-001	1	SWITCH, ROCKER - RED - ILLUM
2	98001-002	1	TERMINAL STRIP 12 CONN. (FEED
3	98004-001	1	CIRCUIT BREAKER 2 AMP (FEEDER)
4	98006-032	1	CONTECH 305051 FEEDER CONTROL
5	98006-031	1	EEPROM FOR I/O BOARD (W/PROGRAM)
6	98003-001	1	RECEPTACLE, POWER CORD
7	99004-021	1	KNOB, POTENTIOMETER (KB)
8	98007-001	1	CORD, POWER, 90° ANGLE
9	10011-035	1	PLATE, SWITCH COVER
10	98008-001	1	TRANSFORMER (120V)
11	98006-004	1	DIAL, SPEED POT (KB)
12	98006-007	1	POT KIT
13	98016-116	1	CONNECTOR, 3- POS FEMALE (.093)
14	98016-021	1	CONNECTOR, 5- POS FEMALE (.093)
15	98016-179	1	CONNECTOR, 10 PIN RECEP-MOLEX
16	98016-180	2	CONNECTOR, 16 PIN RECEP-MOLEX
17	98006-041	6	SPACER, NYLON #6 THRU X .375
18	98006-043	6	WASHER, FIBER #6 X .375