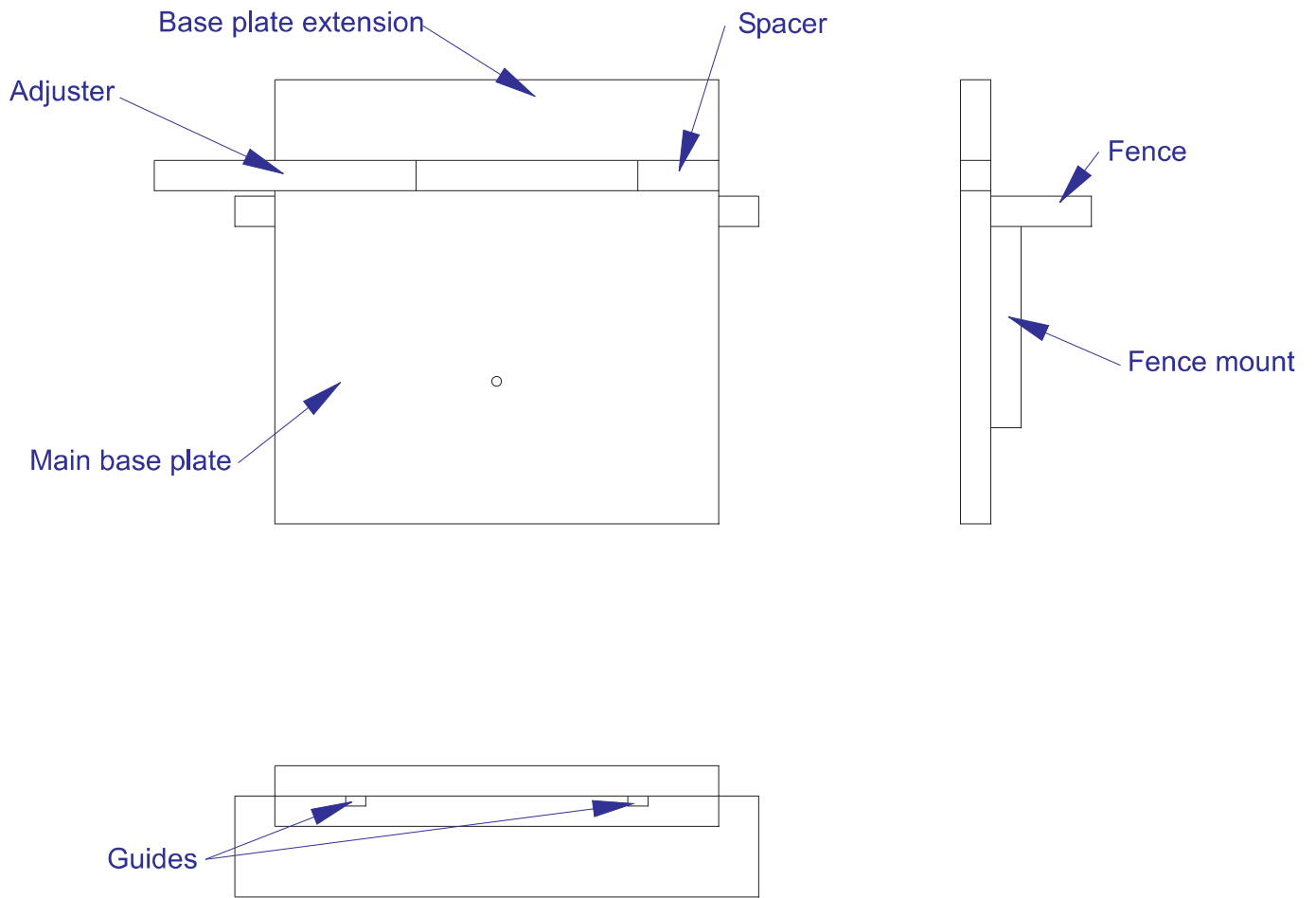
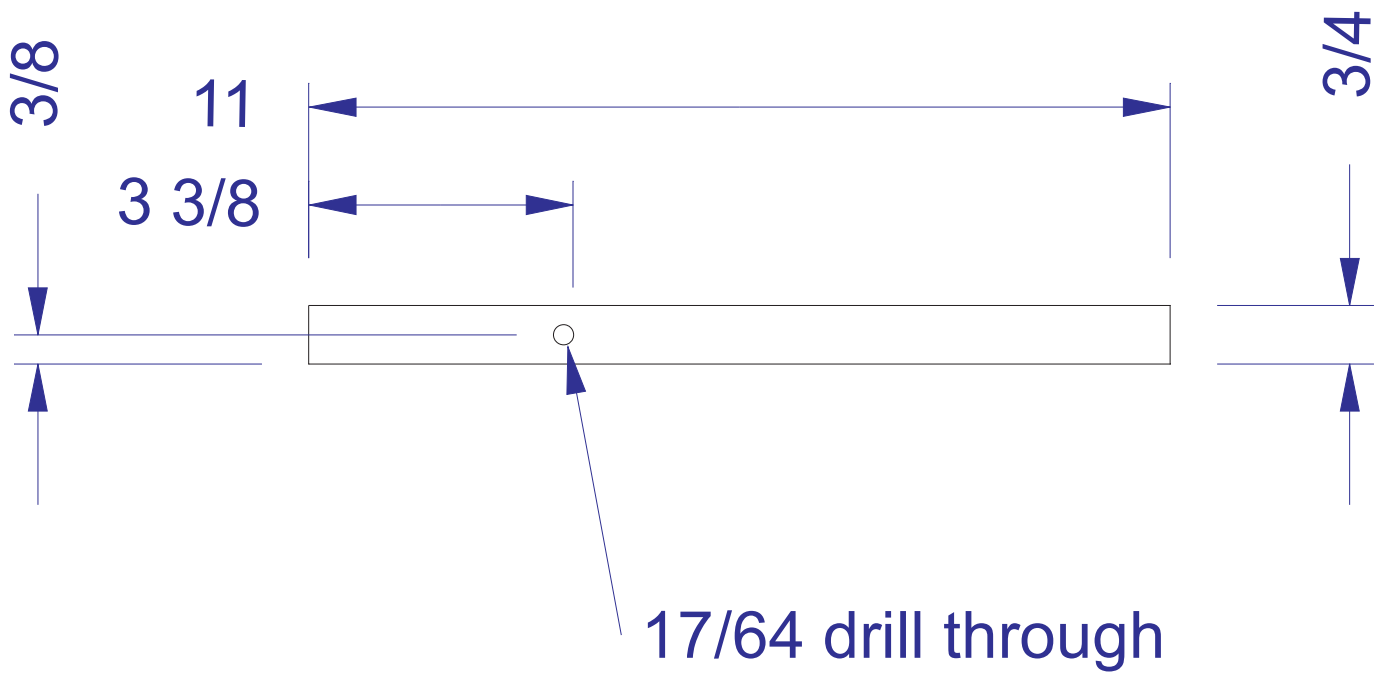


# Mortising Jig



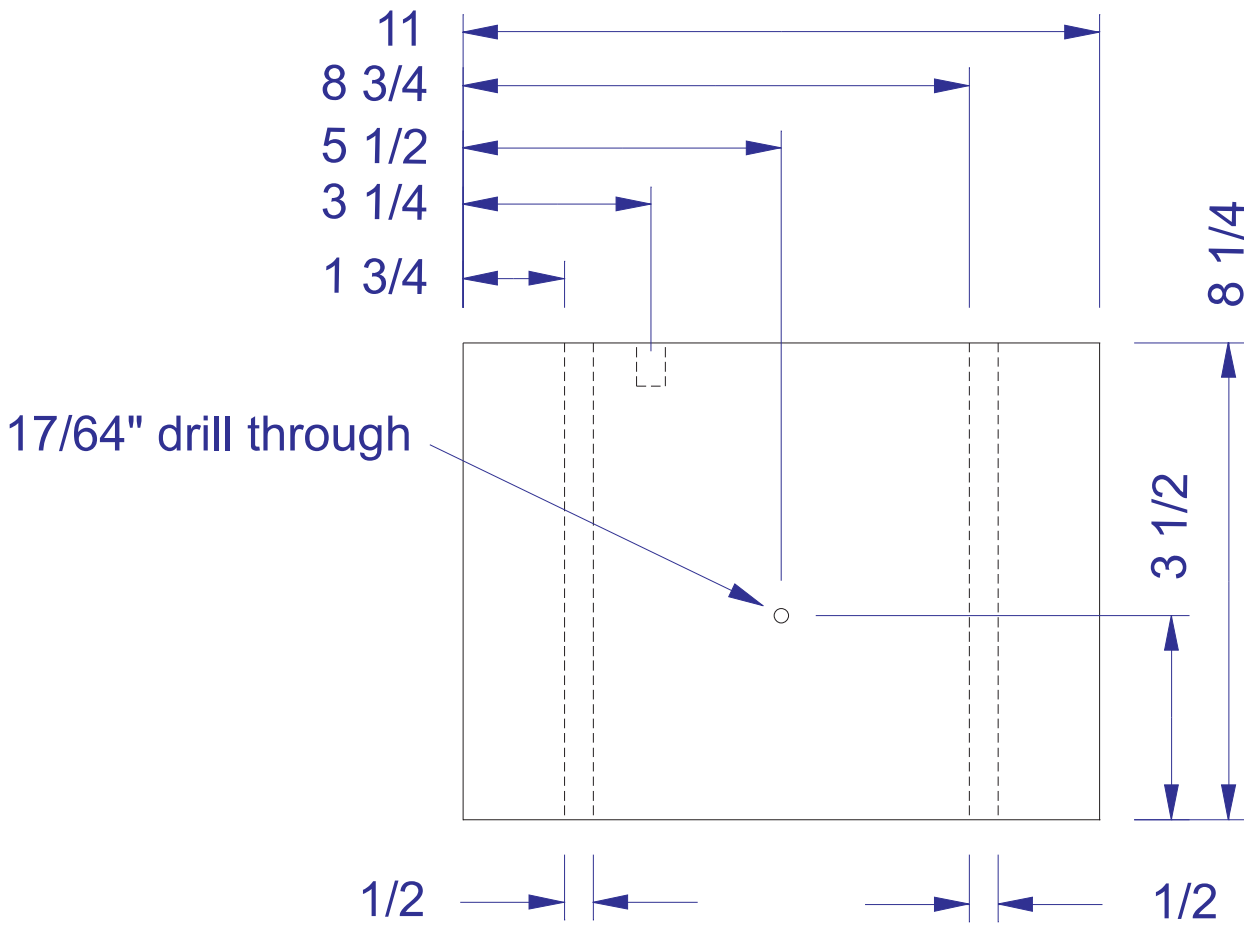
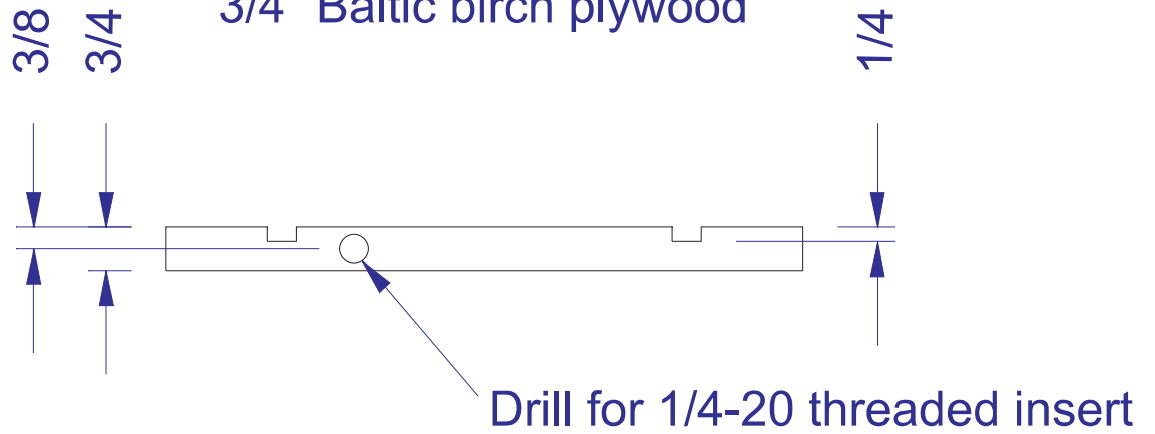
# Base Plate Extension

3/4" Baltic birch plywood



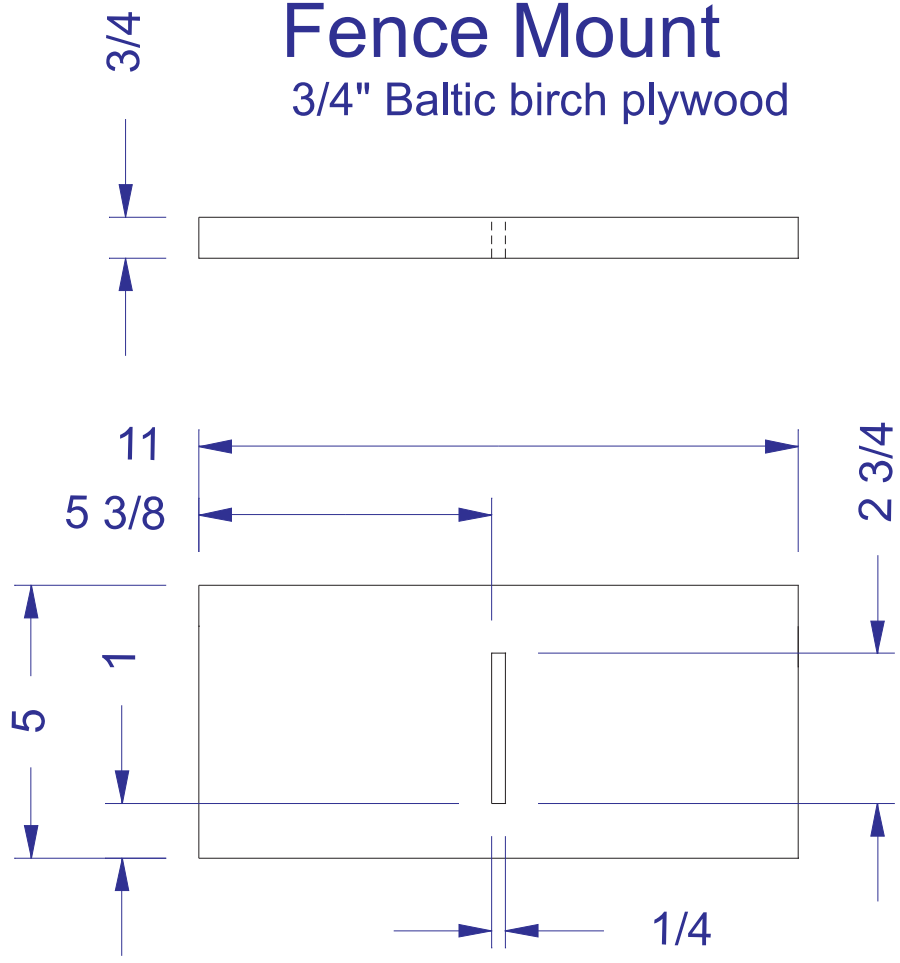
# Main Base Plate

3/4" Baltic birch plywood



# Fence Mount

3/4" Baltic birch plywood



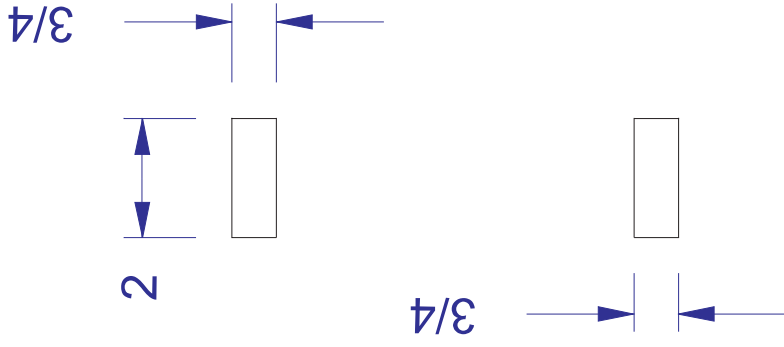
# Fence

3/4" Baltic birch plywood



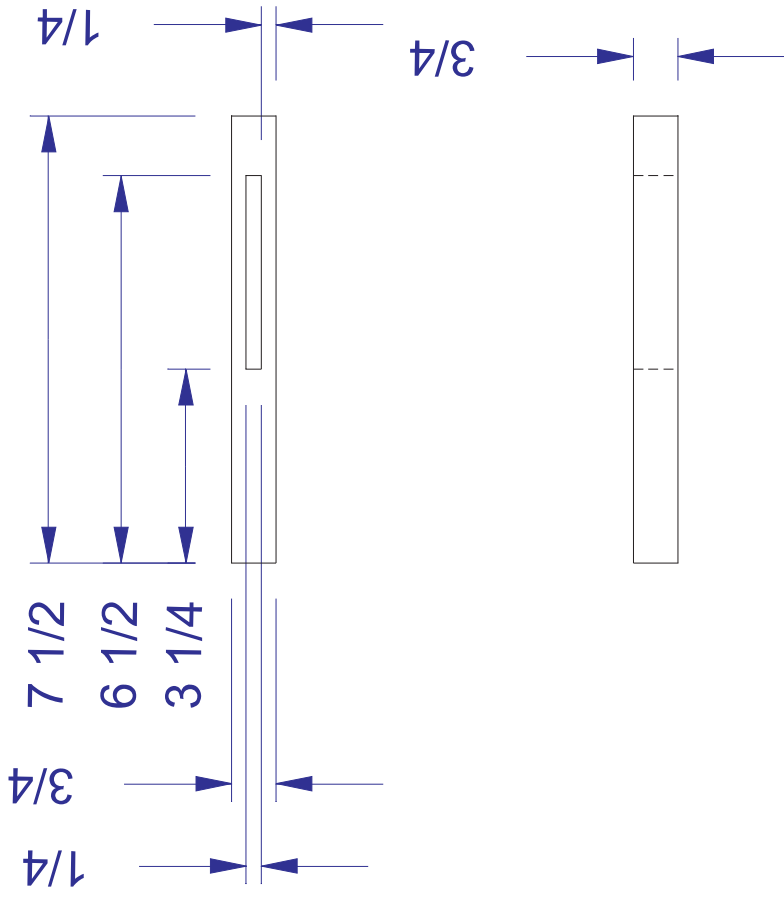
# Spacer

Hardwood



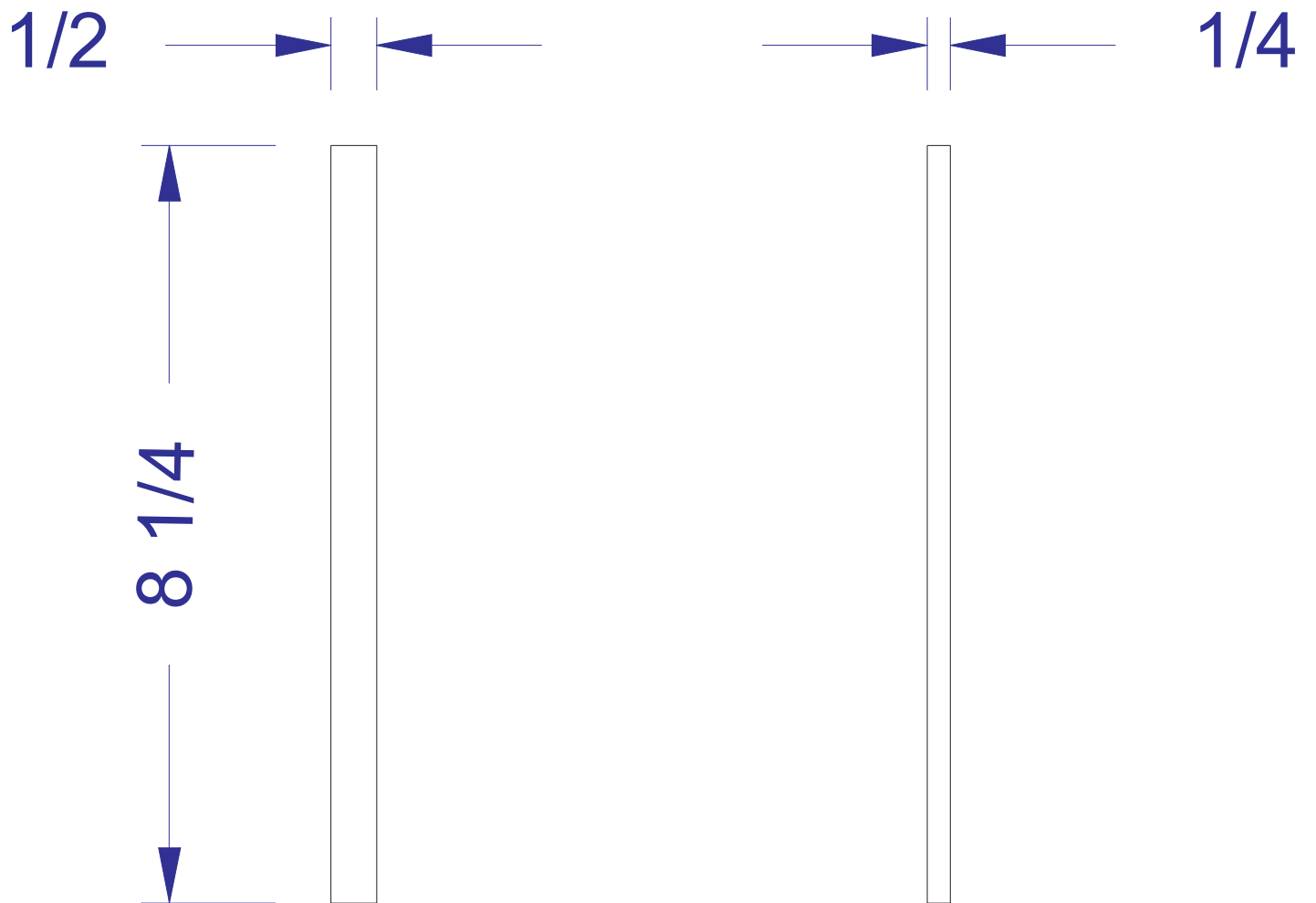
# Adjuster

Hardwood



# Guides

## Hardwood



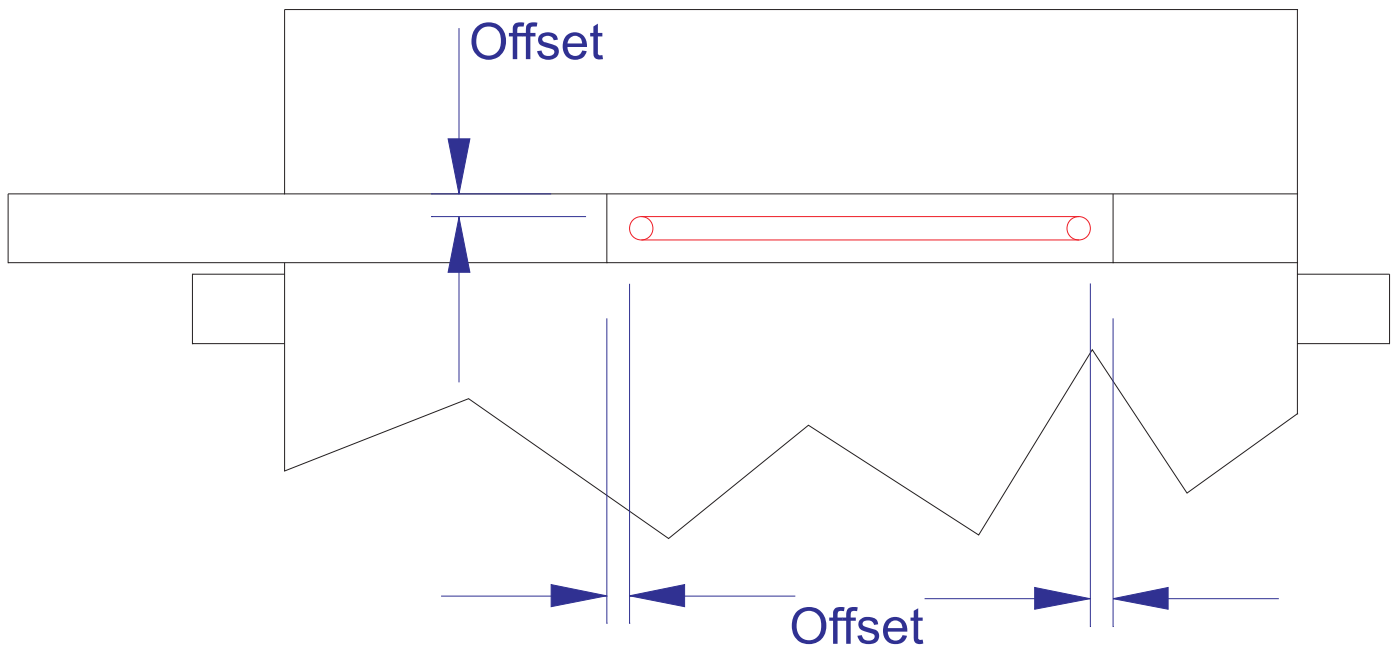
## Other Materials

1/4-20 Threaded insert (steel is preferred)

1/4-20 T-Nut

1/4-20 Threaded rod - about 8 inches is needed

(2) 1/4-20 fixture knobs



1/8" dia. bit requires a 5/16" offset

1/4" dia. bit requires a 1/4" offset

3/8" dia. bit requires a 3/16" offset

1/2" dia. bit requires a 1/8" offset

