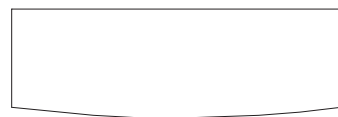


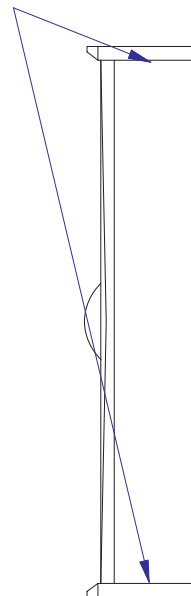
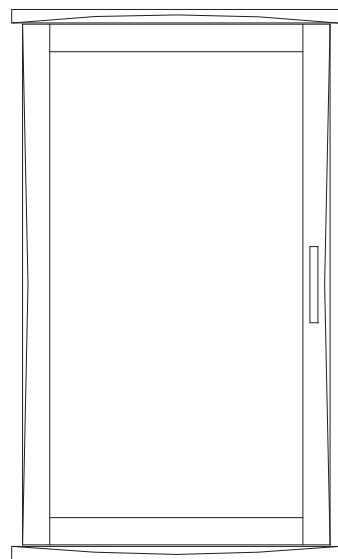
Additional Materials Needed:

(1) Single strength glass for door - 12 5/16 x 22 1/16

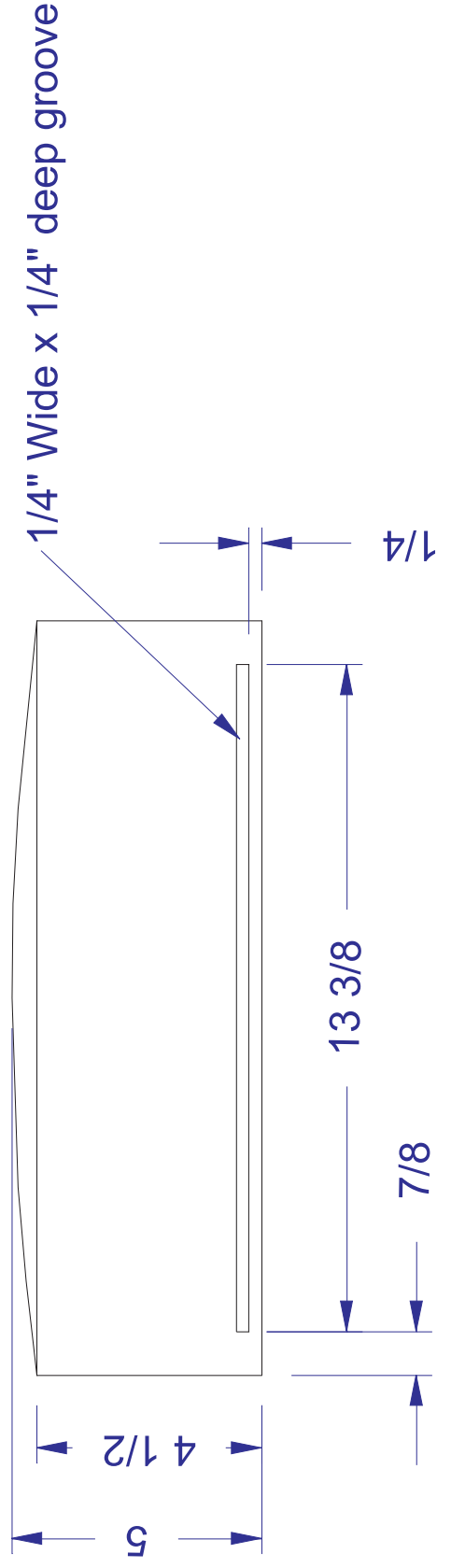
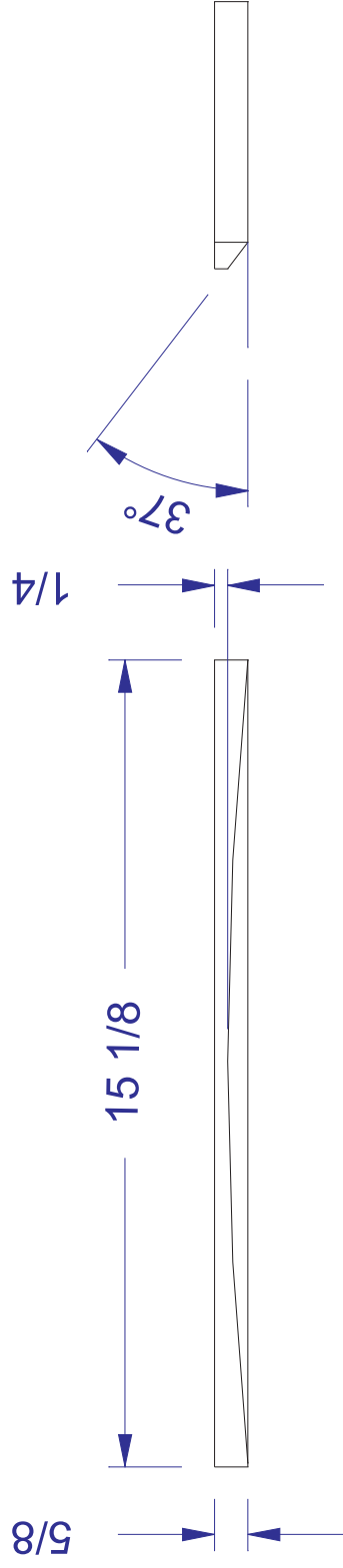
(4 or 5) Double strength glass shelves - 12 13/16 x 3 3/16



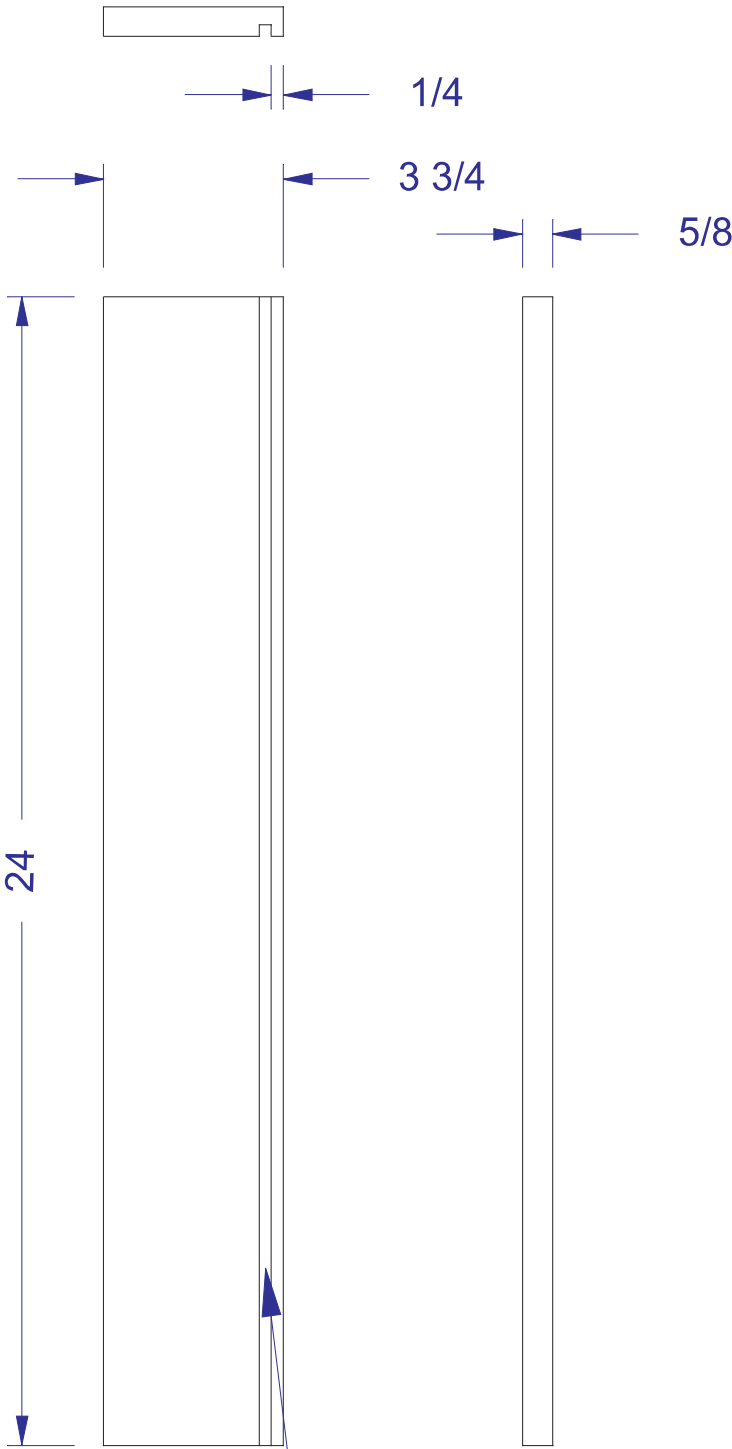
Join side to top and bottom with #20 biscuits



Top and Bottom

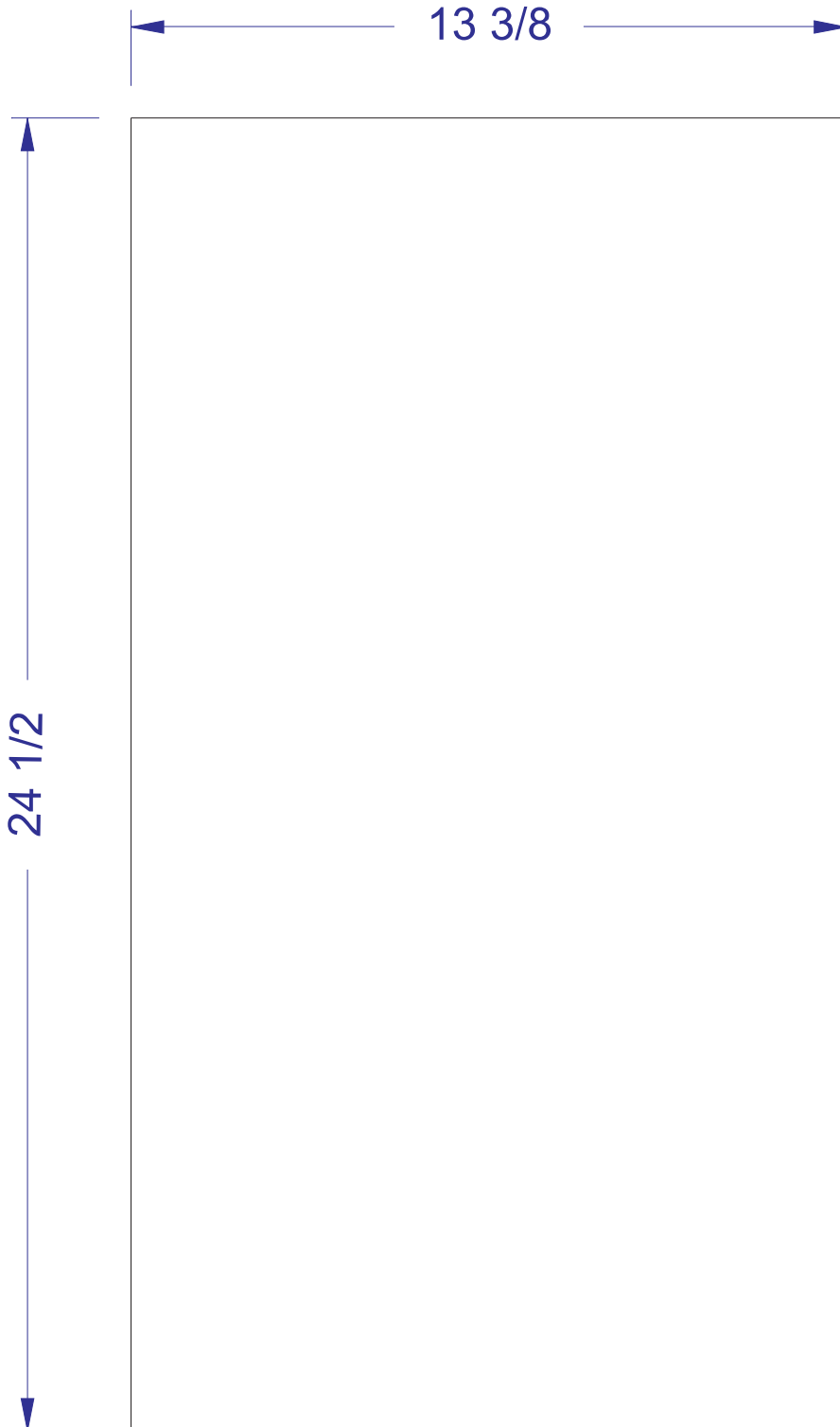


(2) Sides

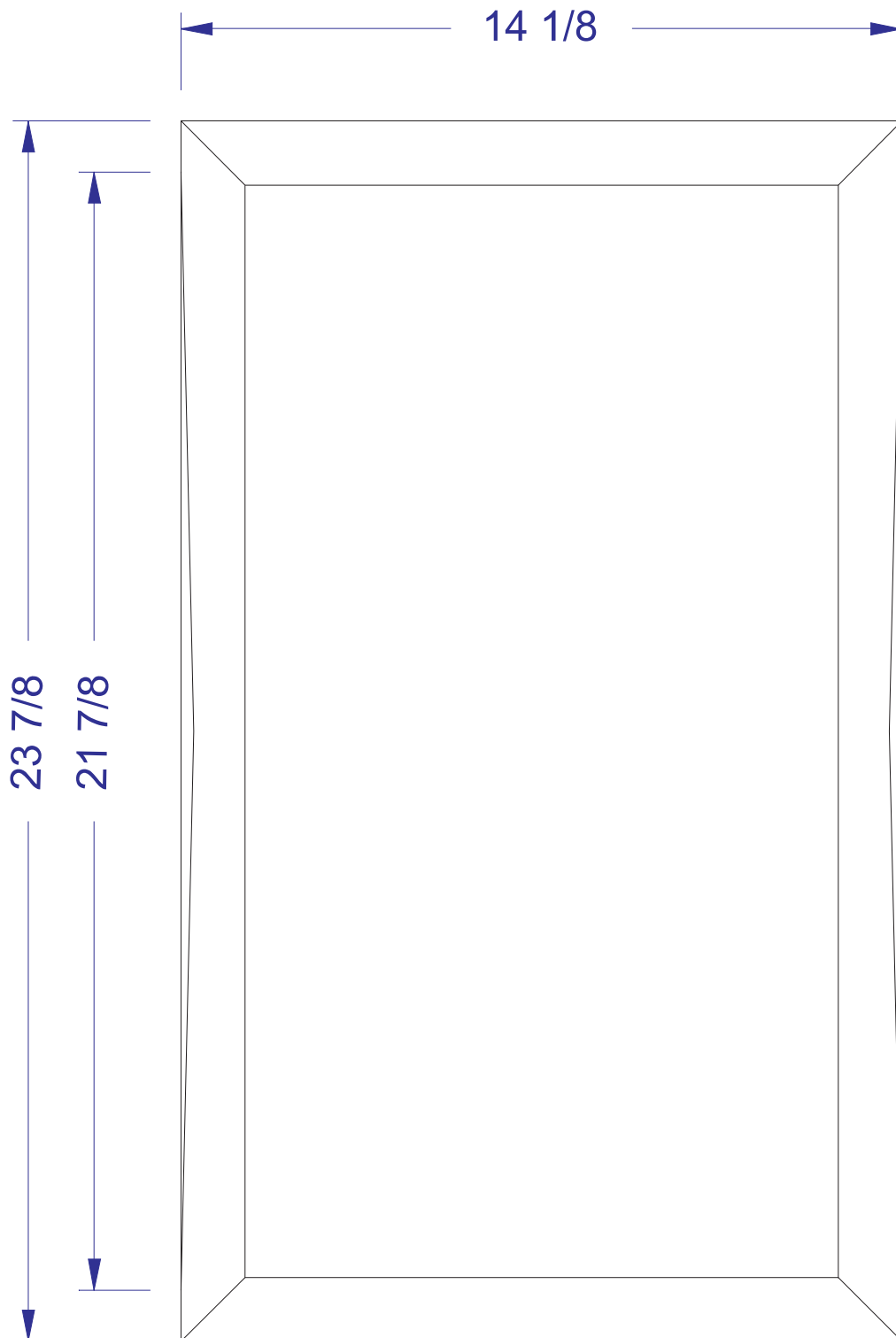


1/4" wide by 1/4"
deep groove for back

(1) Back panel

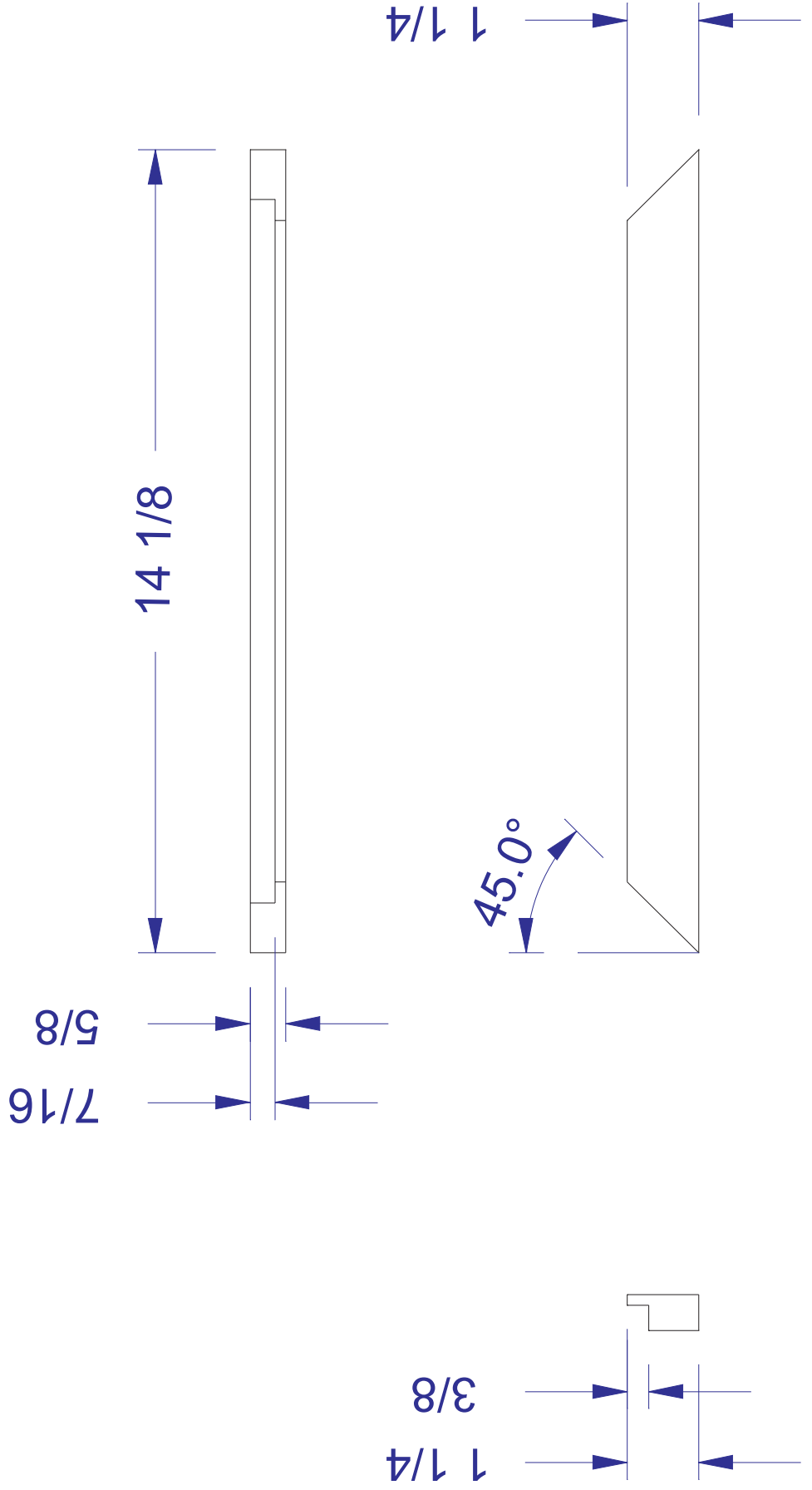


Door Frame - assembled

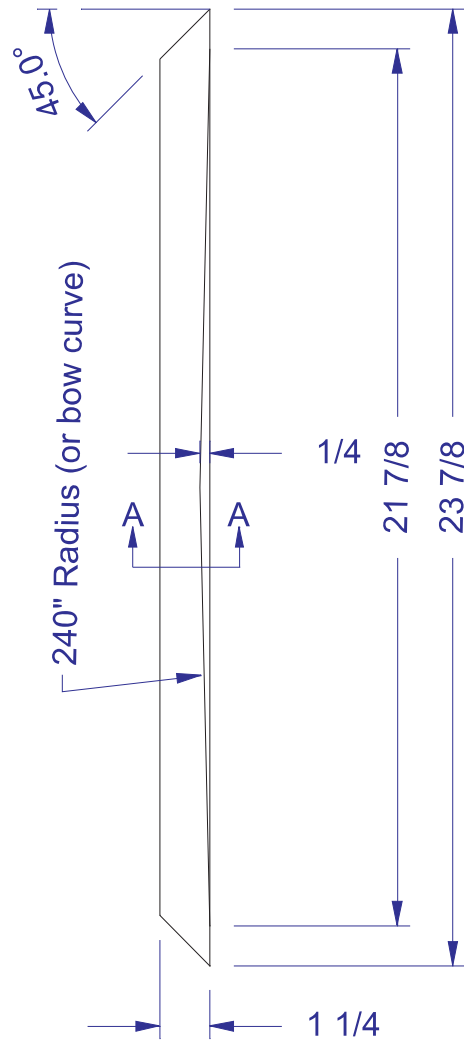
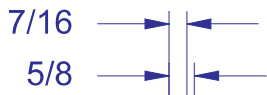
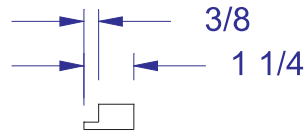


(2) Rails

Bottom front shown



(2) Door stiles



Door Pull (Walnut)

