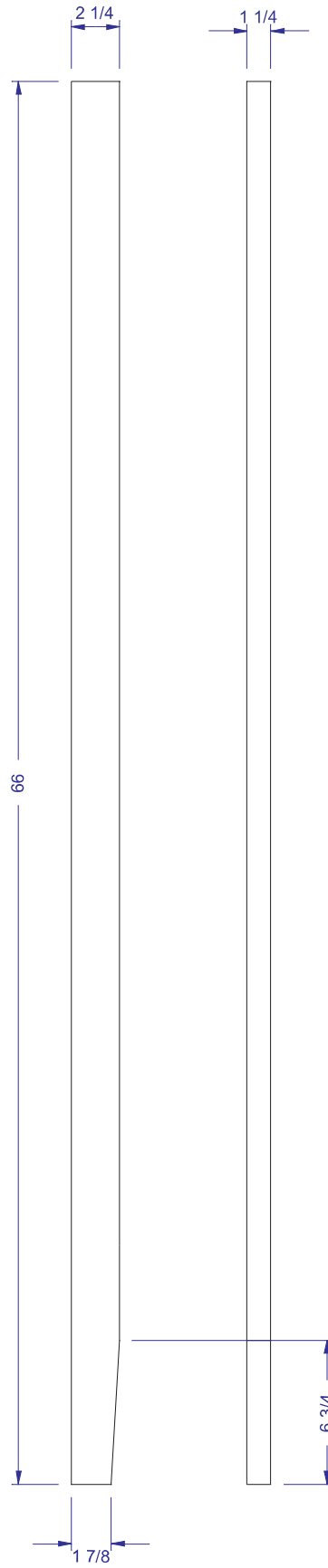
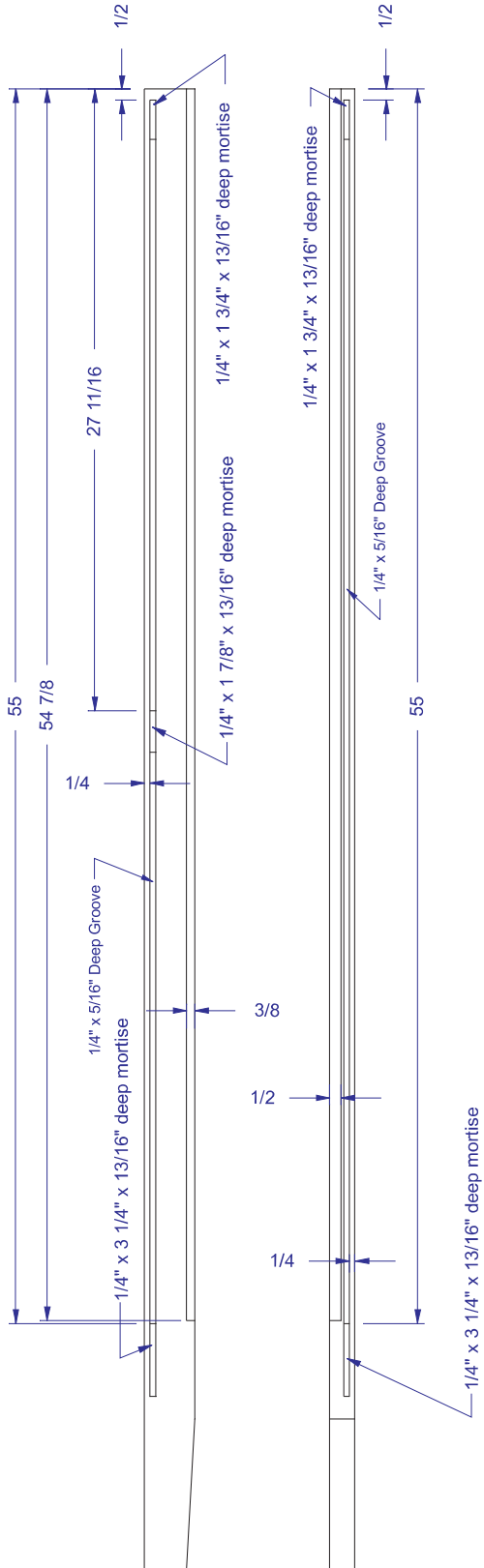


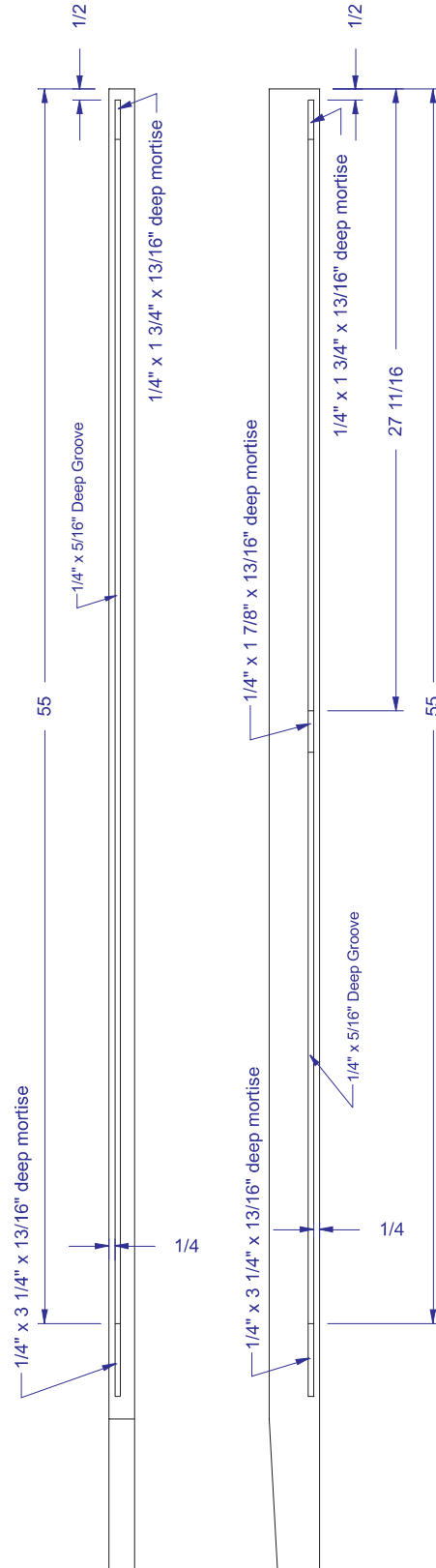
(4) Leg Blanks - 1 1/4" Cherry



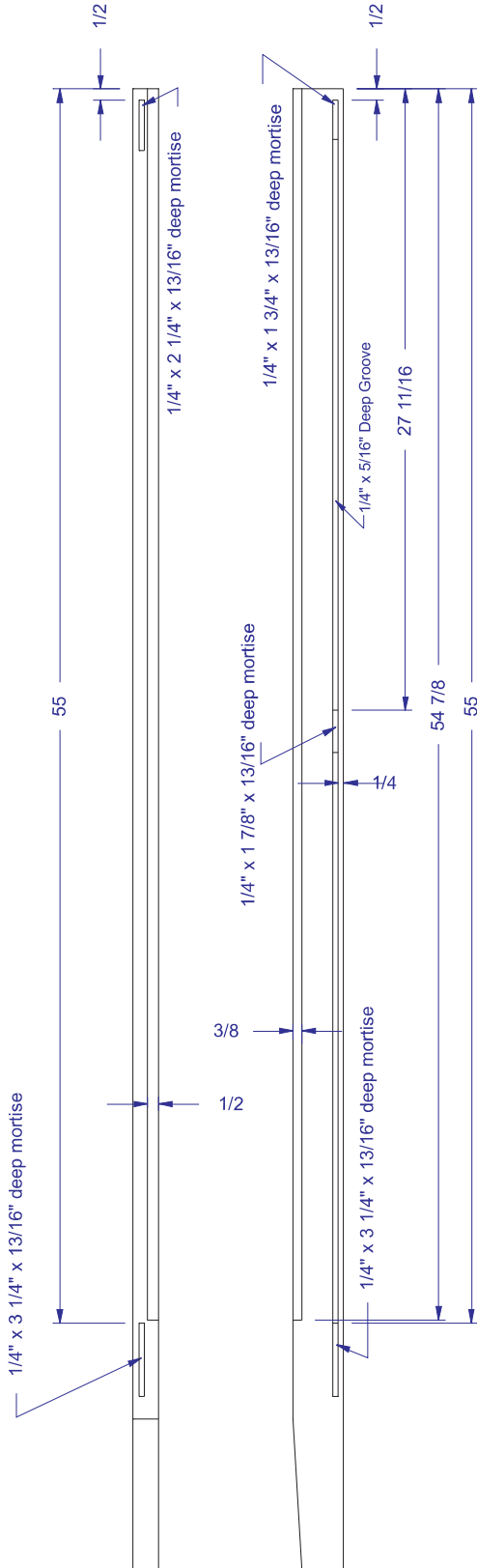
(1) Leg - Left Rear - 1 1/4" Cherry  
Viewed From Inside Corner



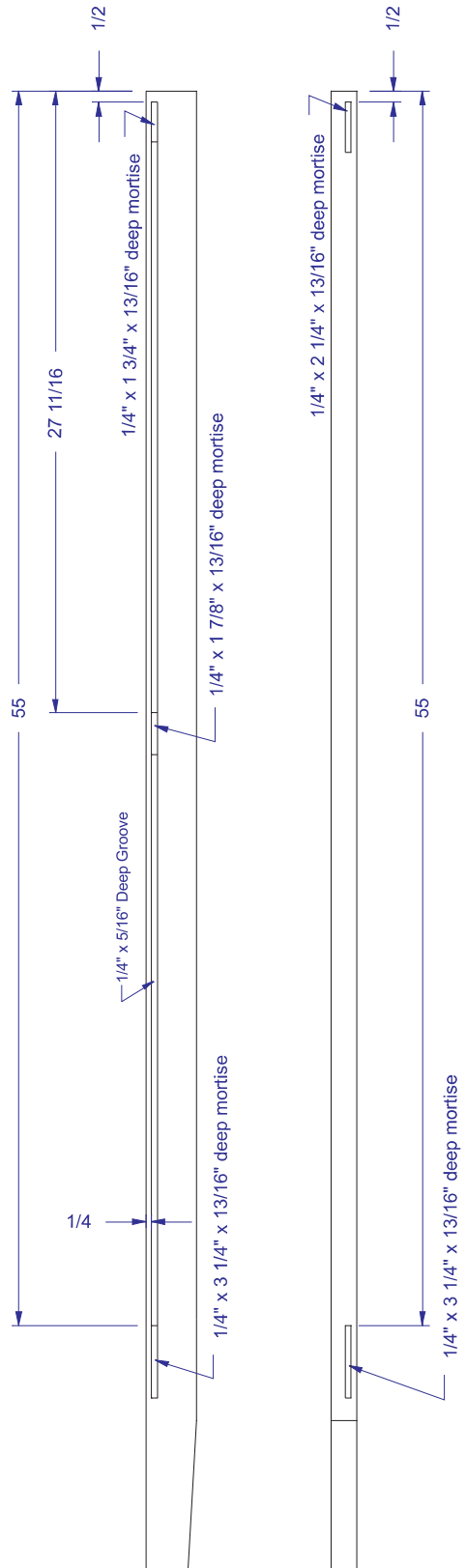
(1) Leg - Right Rear - 1 1/4" Cherry  
Viewed From Inside Corner



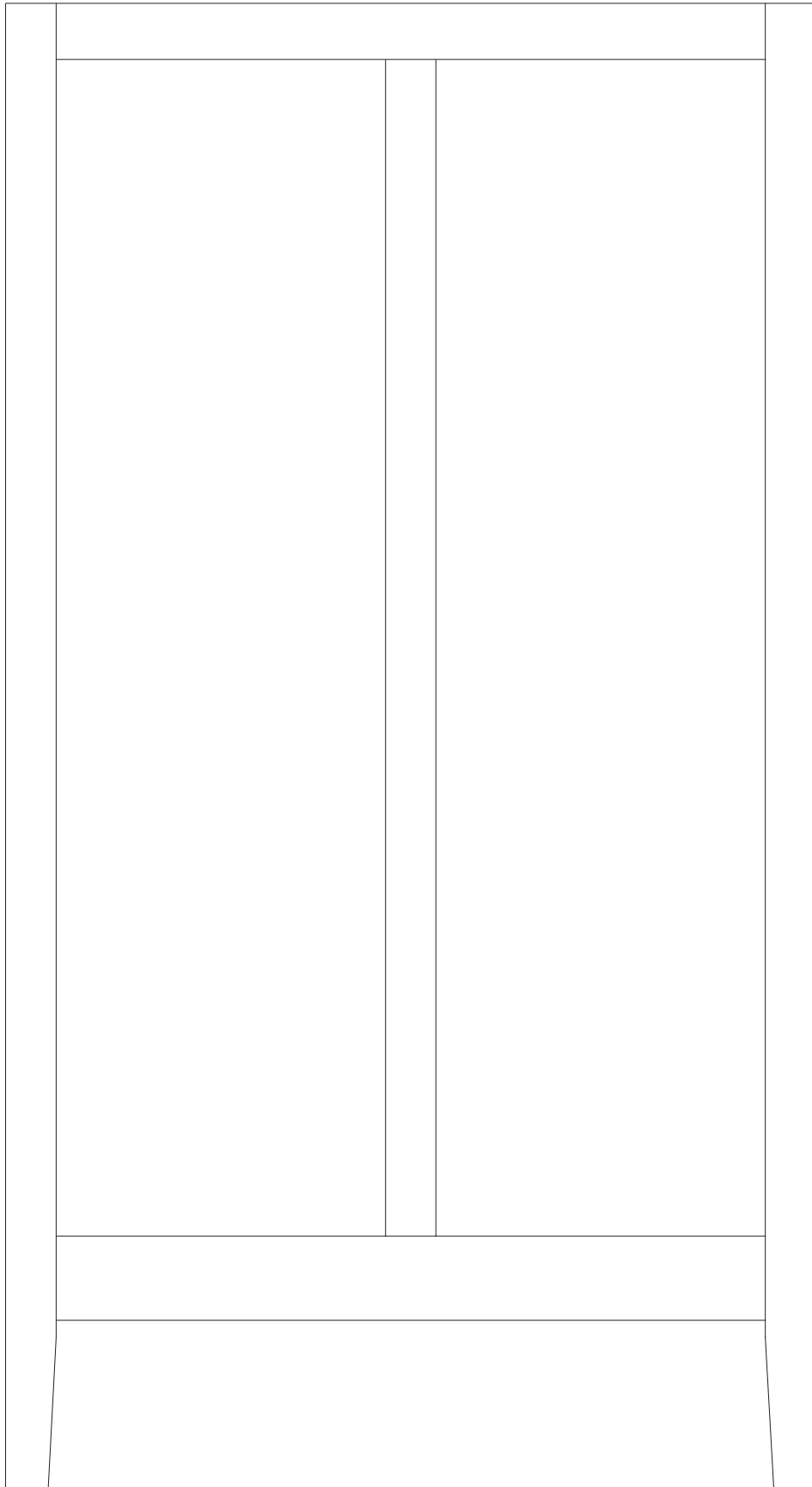
(1) Leg - Left Front - 1 1/4" Cherry  
Viewed From Inside Corner



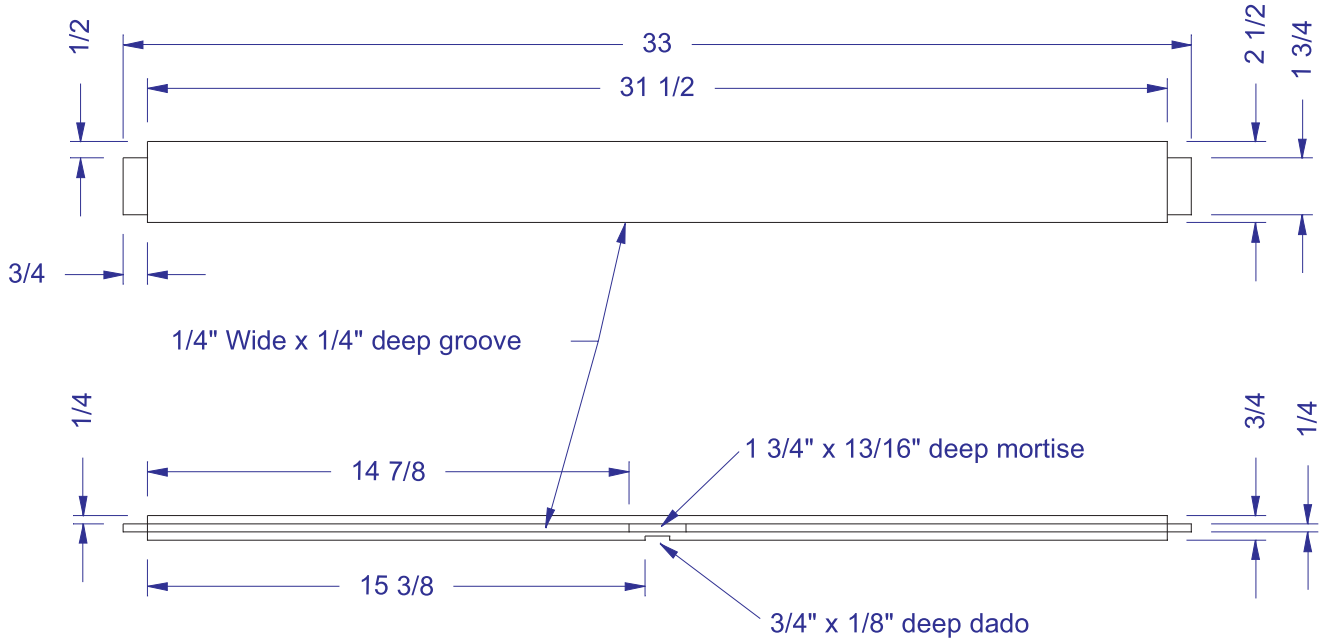
(1) Leg - Right Front - 1 1/4" Cherry  
Viewed From Inside Corner



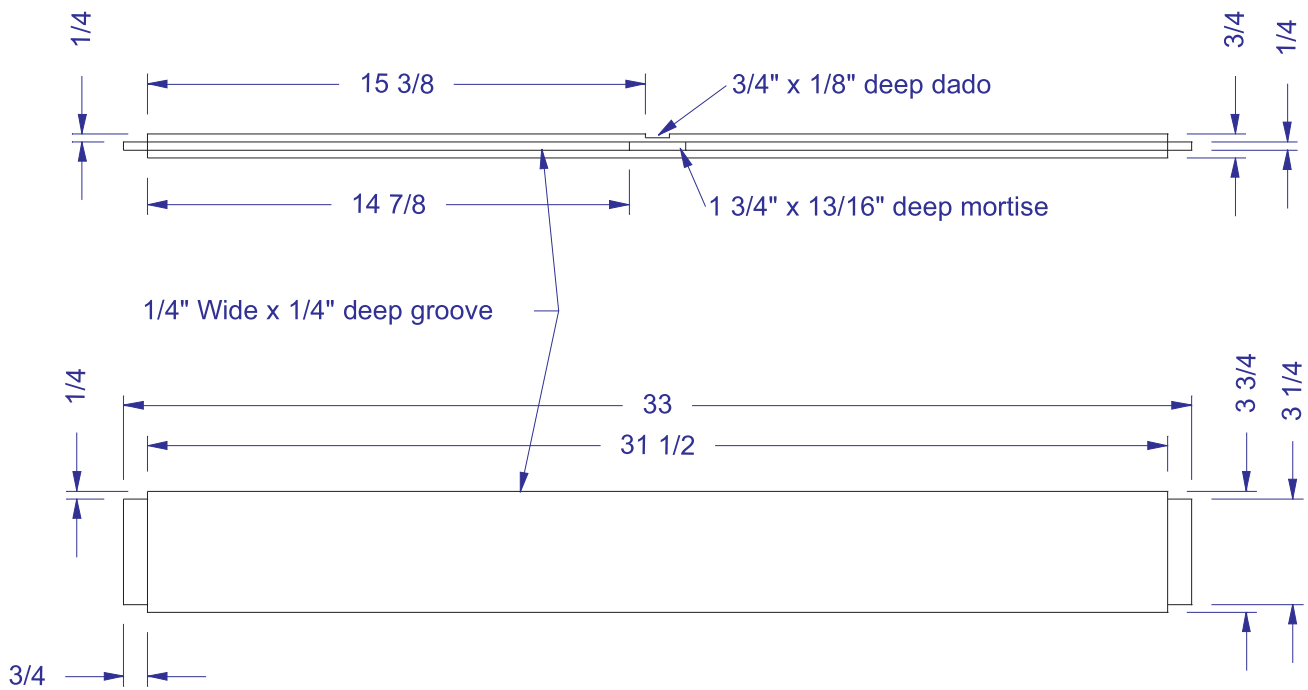
Back View



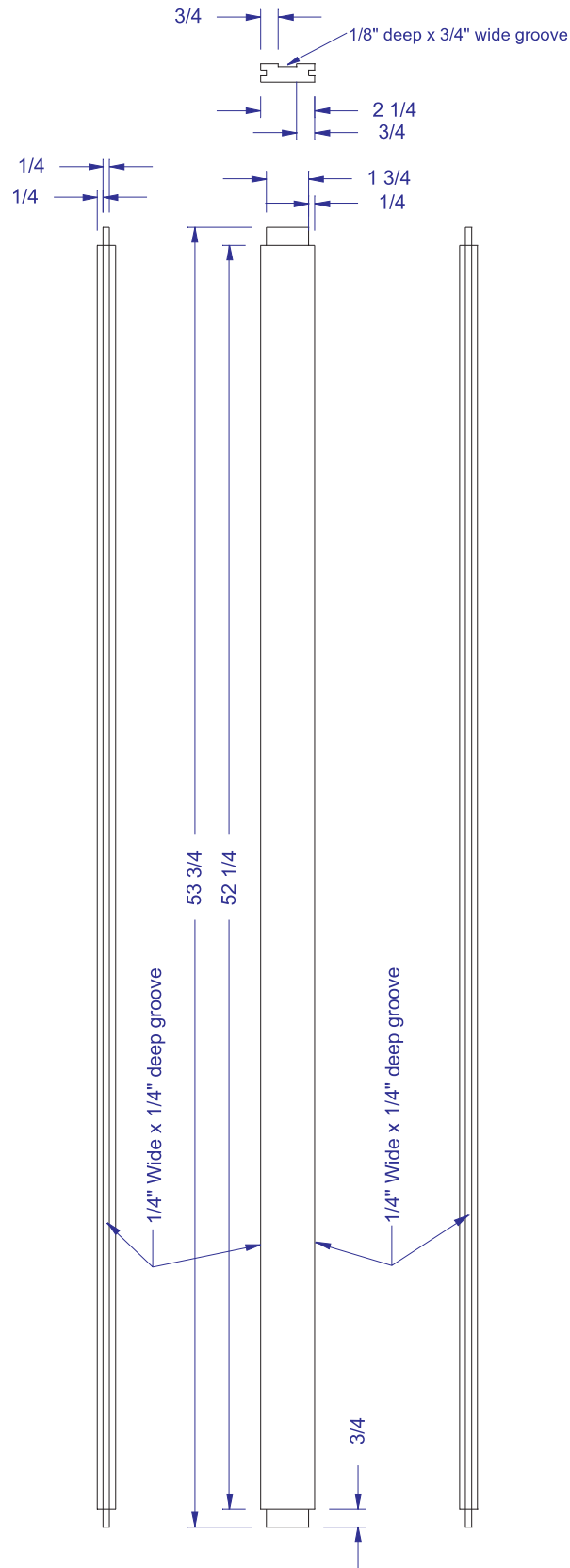
### (1) Top Back Rail - 3/4" Cherry



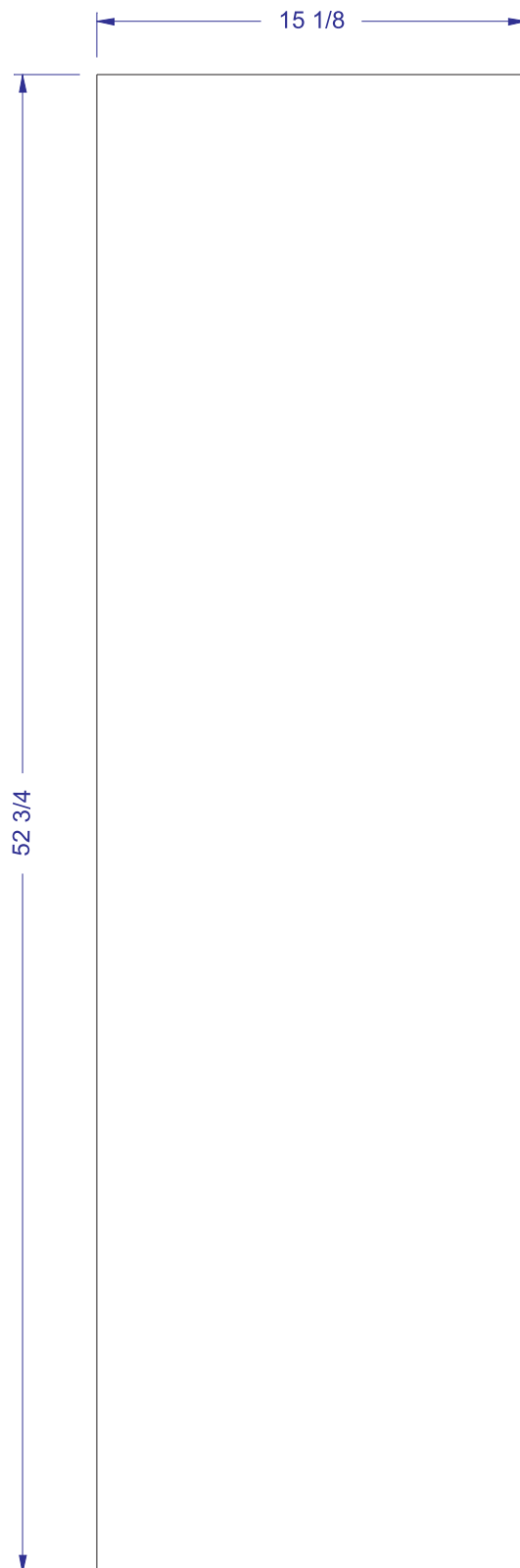
### (1) Bottom Back Rail - 3/4" Cherry



# (1) Center Back Stile - 3/4" Cherry

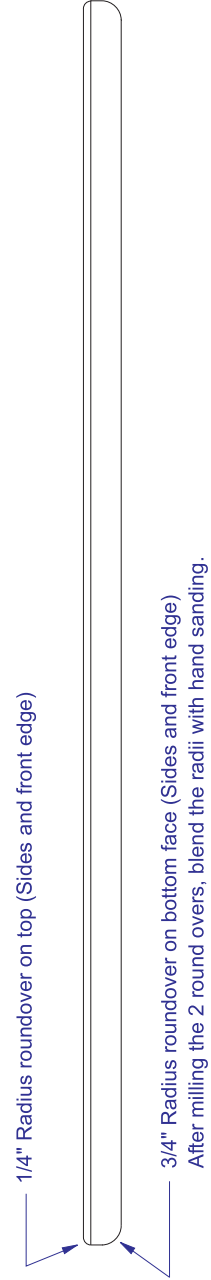
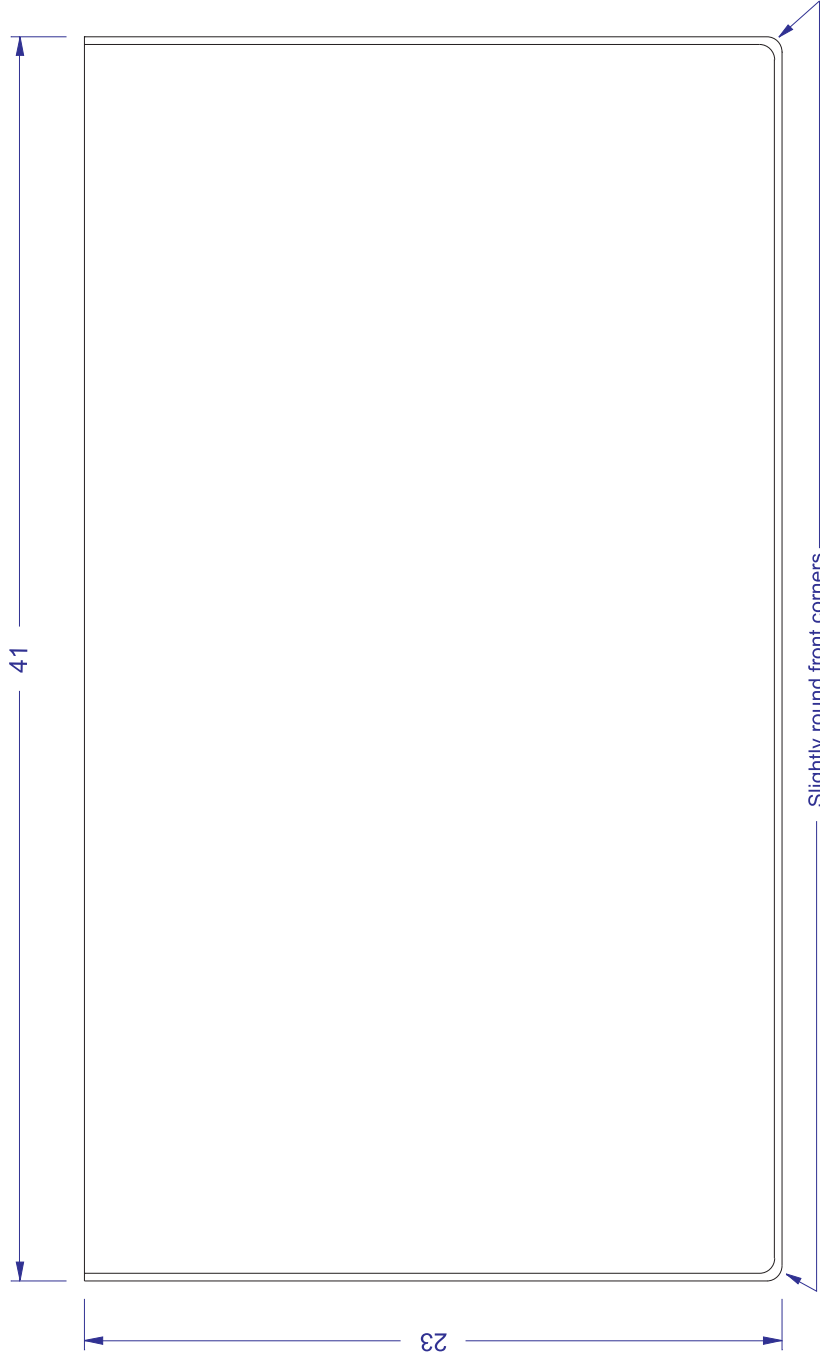


(2) Field Panels- Back - 1/4" Cherry Plywood  
Cherry side towards inside



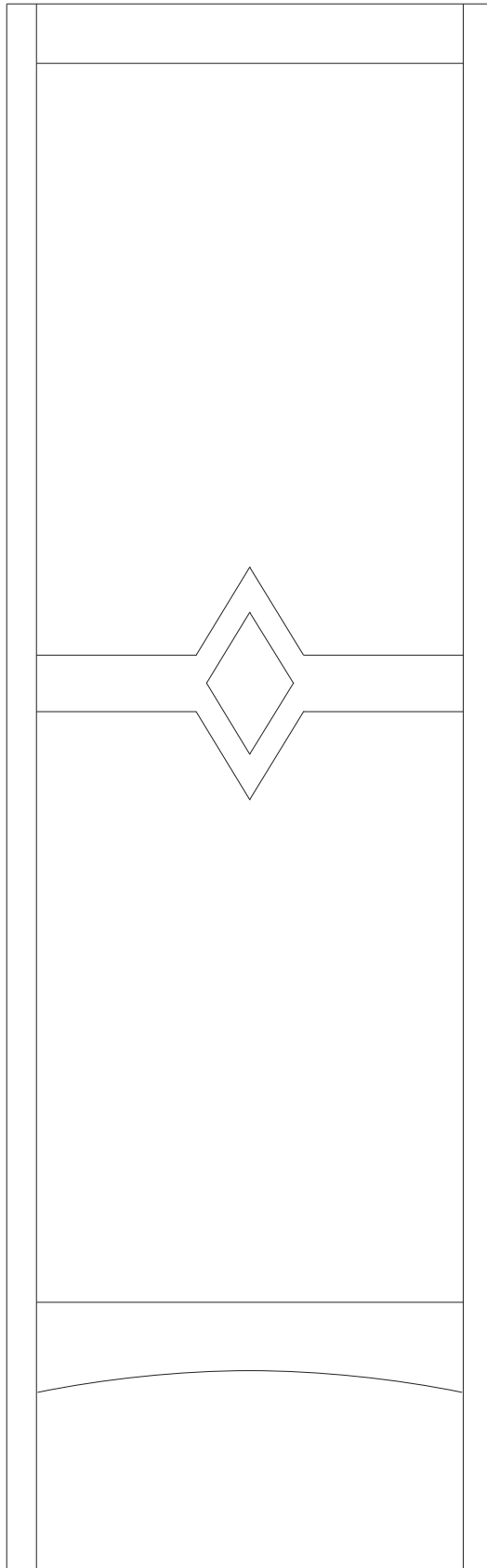


# (1) Top - 1" Cherry

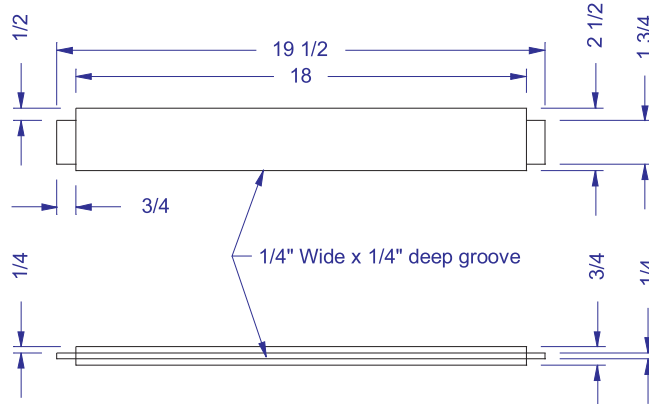


The top gets held to the frame using metal "Z" clips. These clips require a slot to be machined into the top rails and the top edges of the plywood drawer carrier panels. These slots can be easily machined with a biscuit joiner after assembly of the case. If you don't have a biscuit joiner, be sure to plan for attaching the top using some other method. "Z" Clip part number at Woodcraft - 27N10.

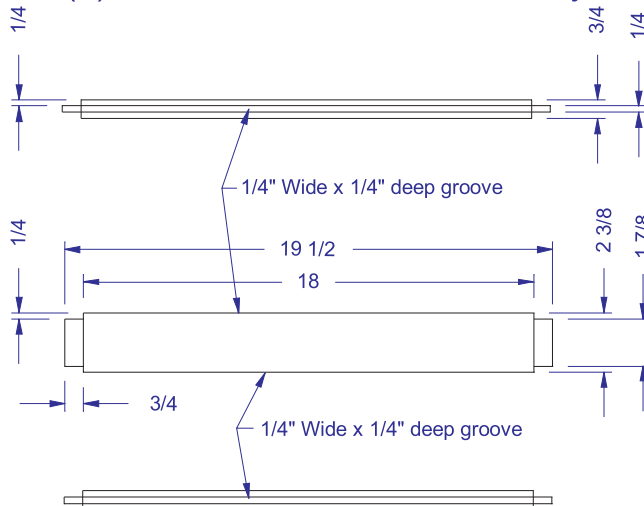
Side View



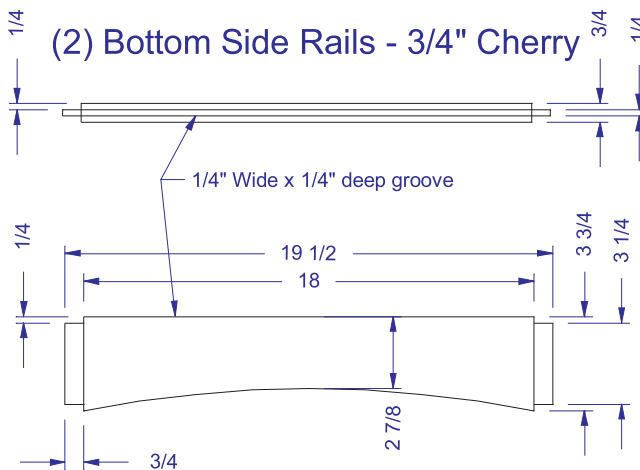
(2) Top Side Rails - 3/4" Cherry



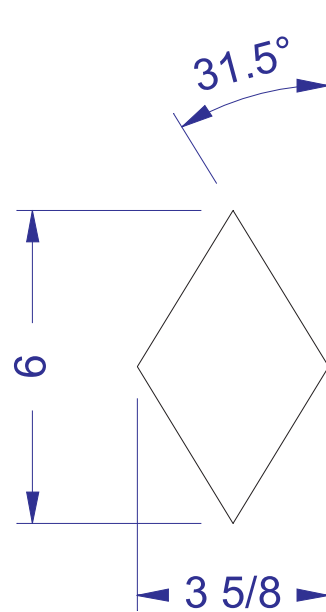
(2) Middle Side Rails - 3/4" Cherry



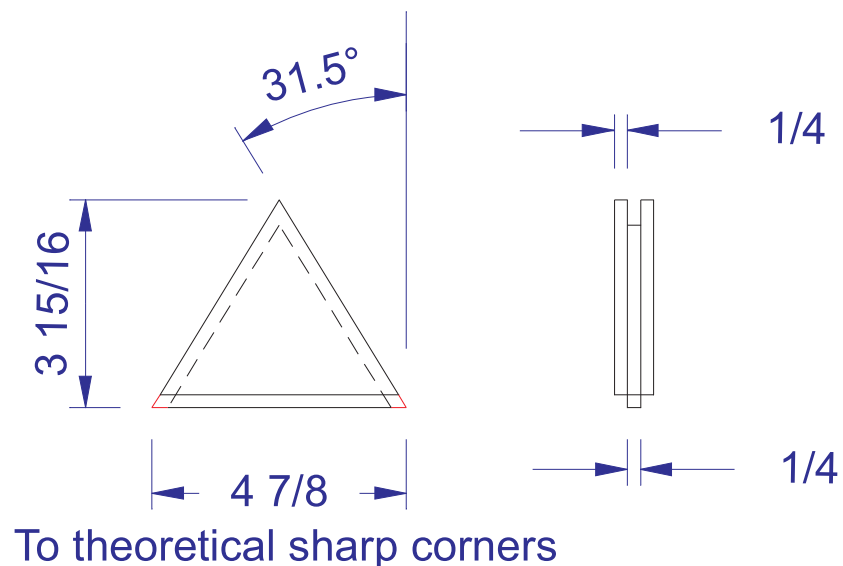
(2) Bottom Side Rails - 3/4" Cherry



## (2) Diamond Applique - 1/8" Walnut

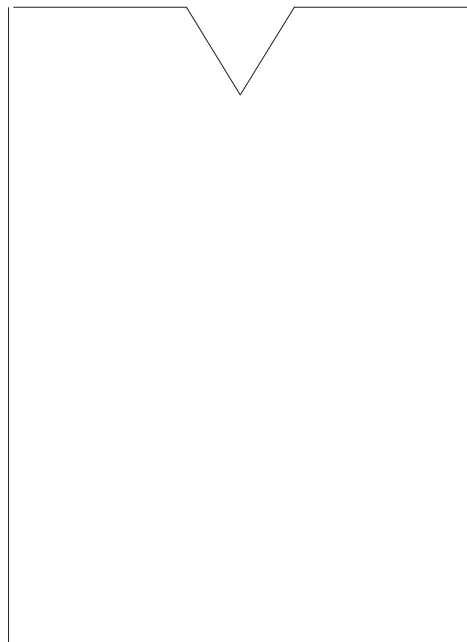
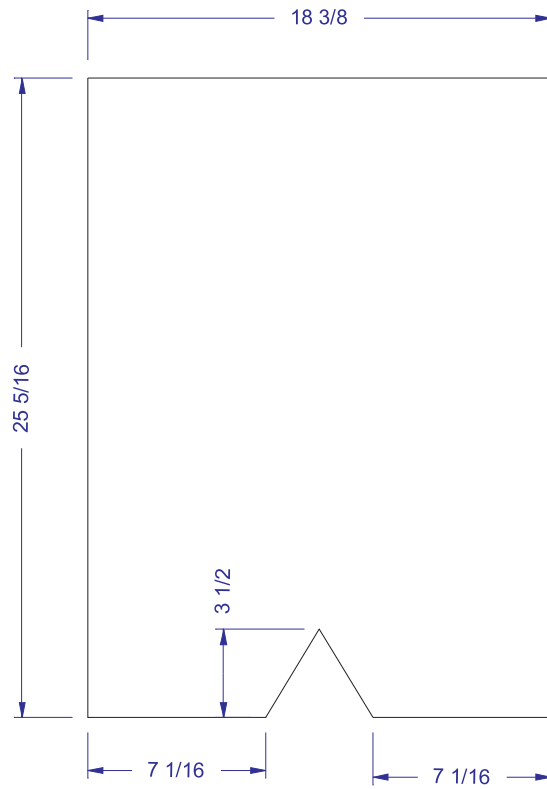


## (4) Middle Side Rail Tirangle - 3/4" Cherry

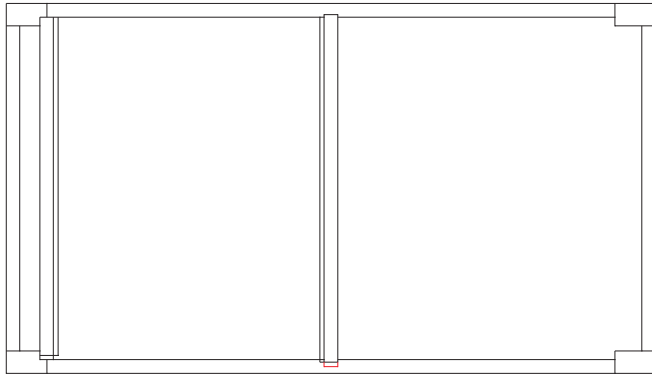


## (2) Side Field Panels - 1/4" Solid Cherry

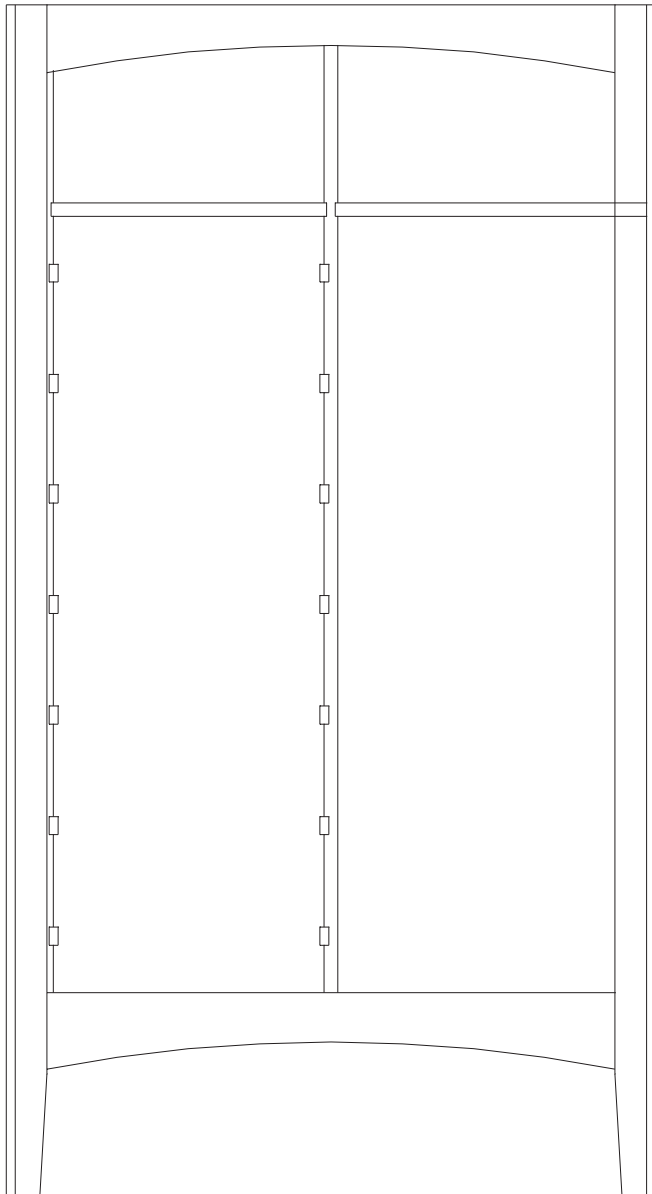
Upper and Lower panels are the same dimensions



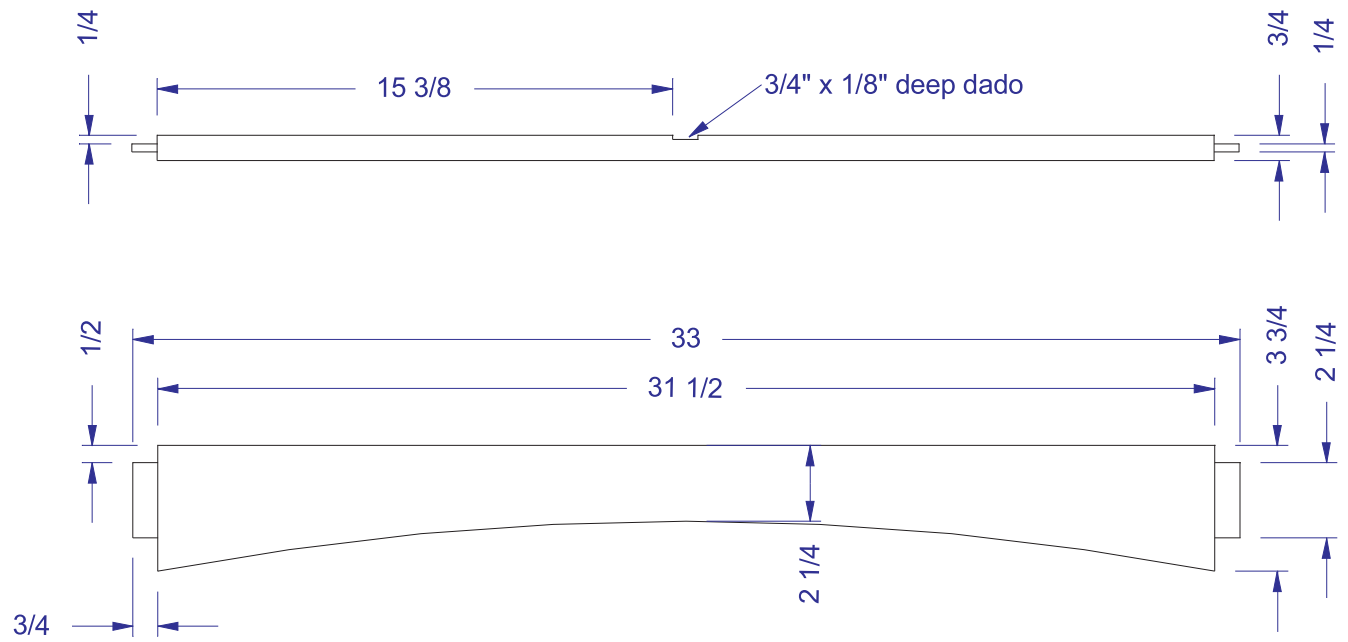
Top View



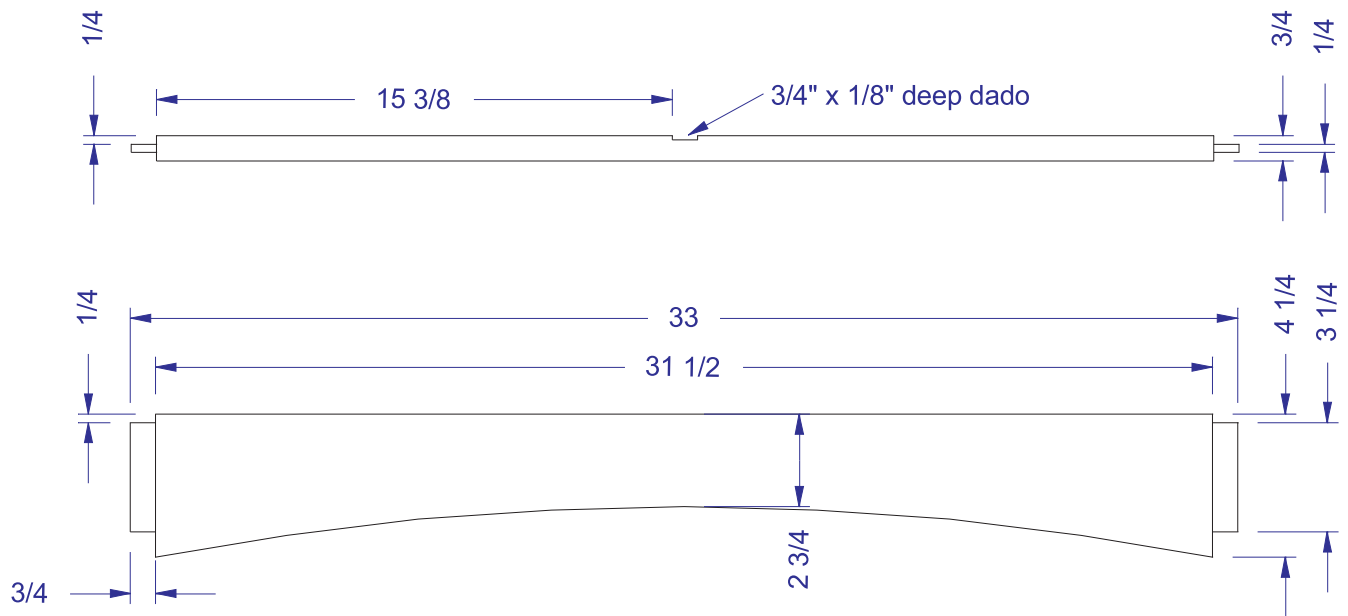
Front View



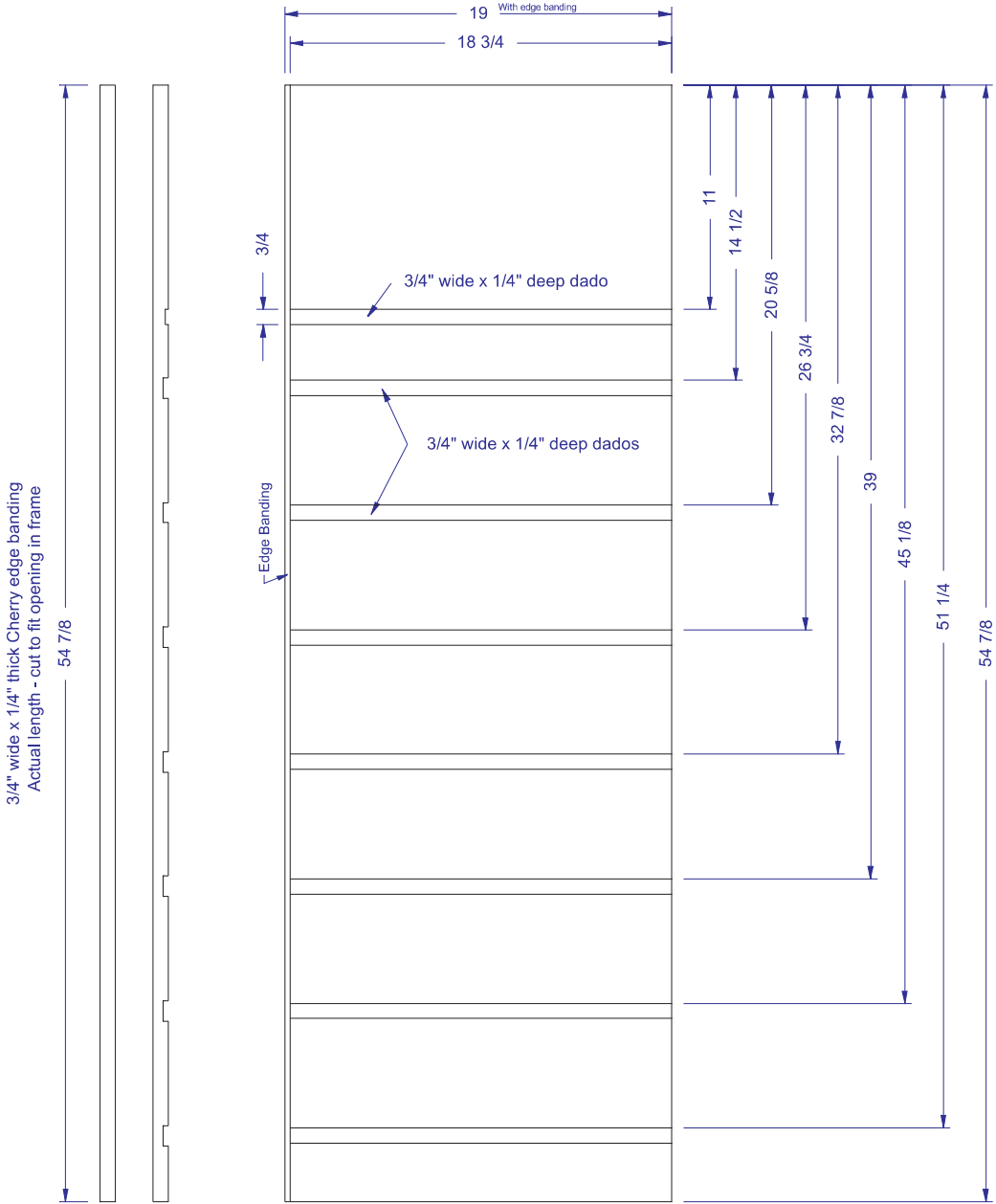
### (1) Top Front Rail - 3/4" Cherry



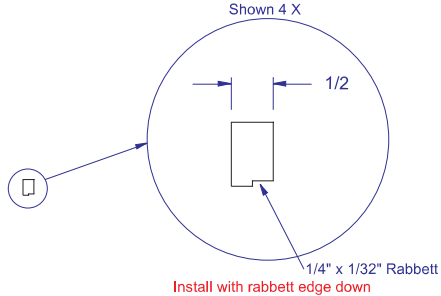
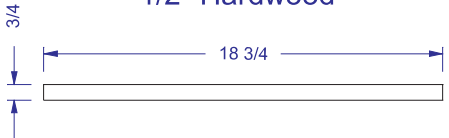
### (1) Bottom Front Rail - 3/4" Cherry



(1) Drawer Support Panel  
 3/4" Birch plywood

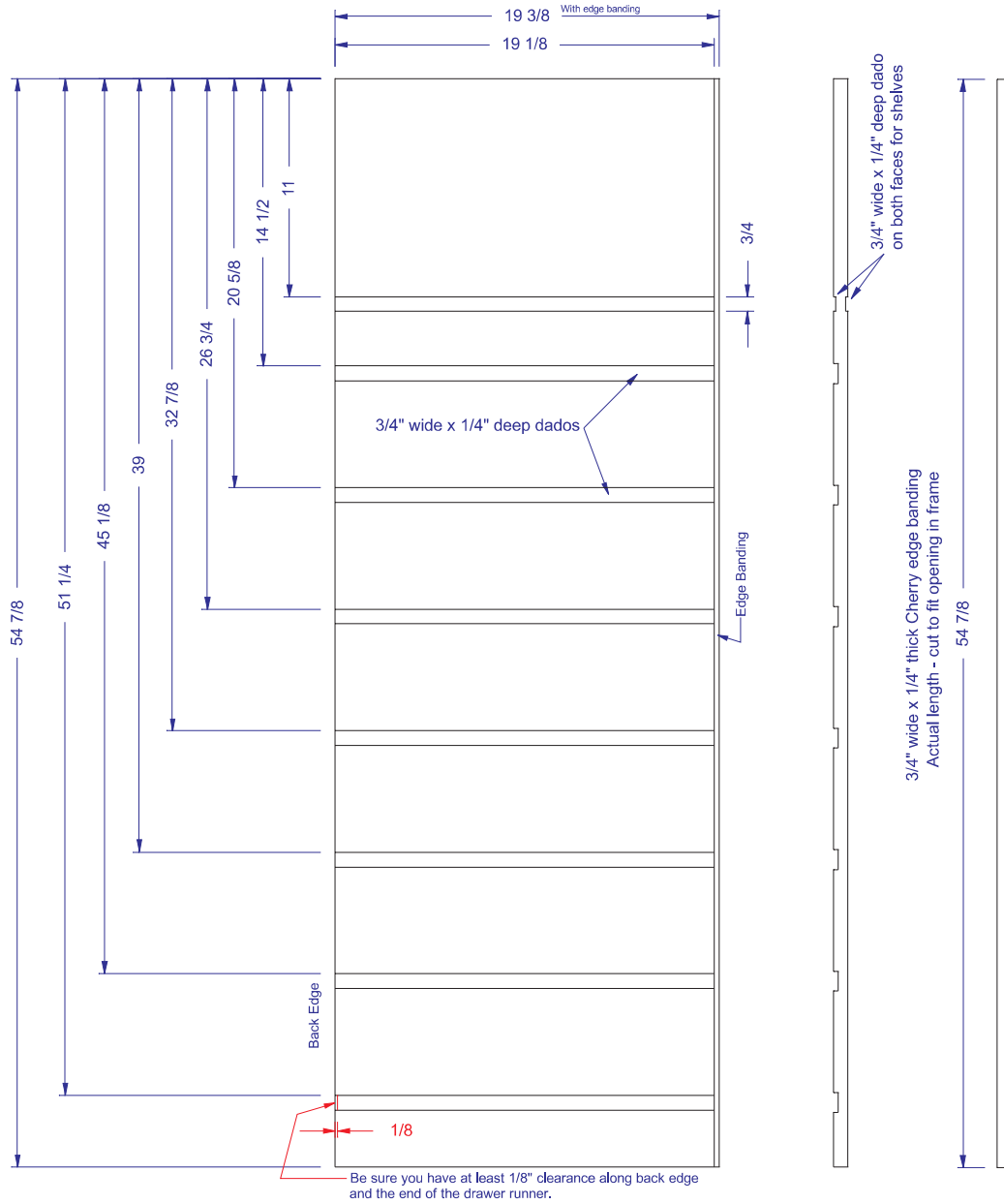


(7) Drawer Runners  
 1/2" Hardwood

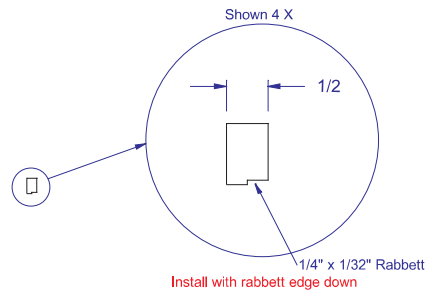
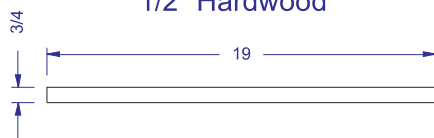




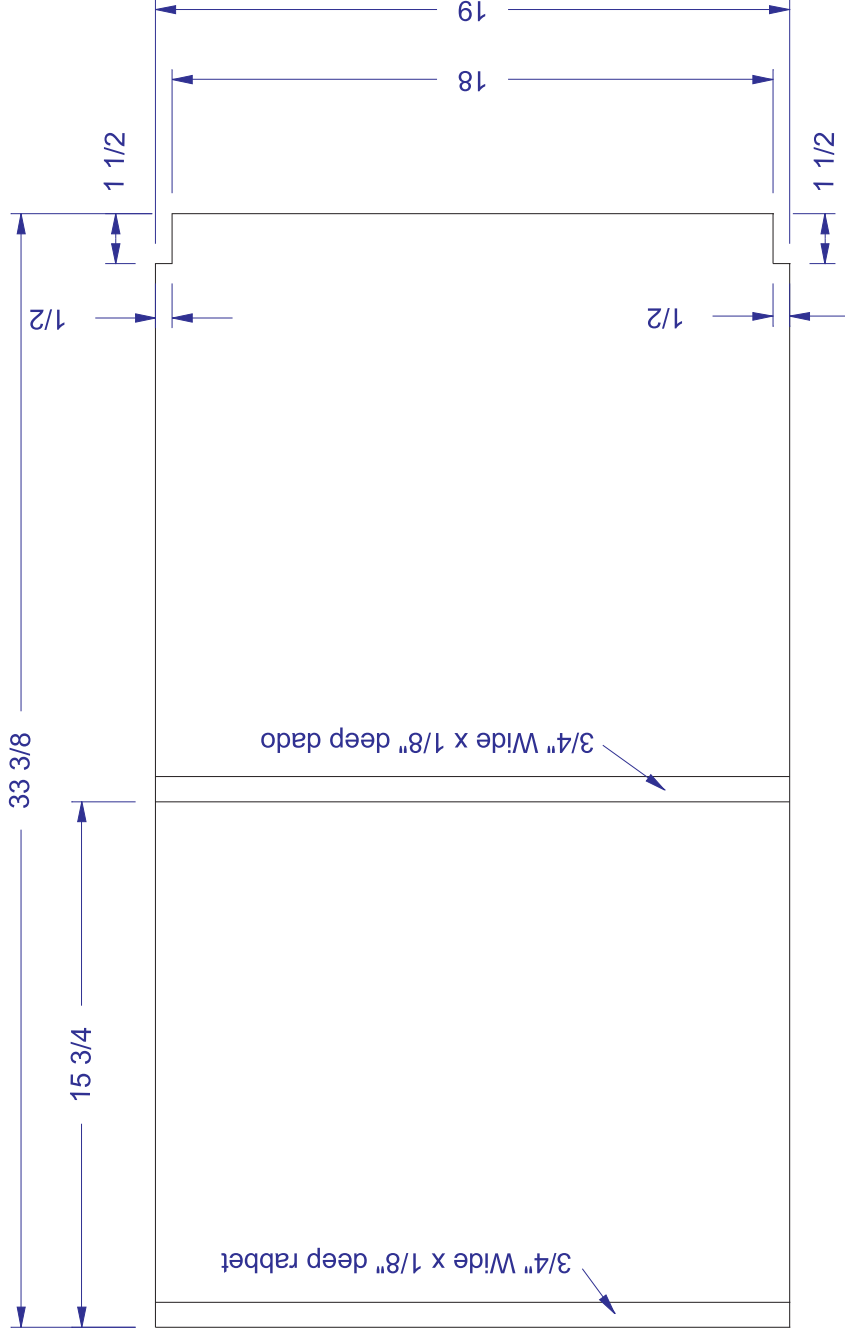
(1) Drawer Support Panel - Center  
 3/4" Cherry plywood



(7) Drawer Runners  
 1/2" Hardwood

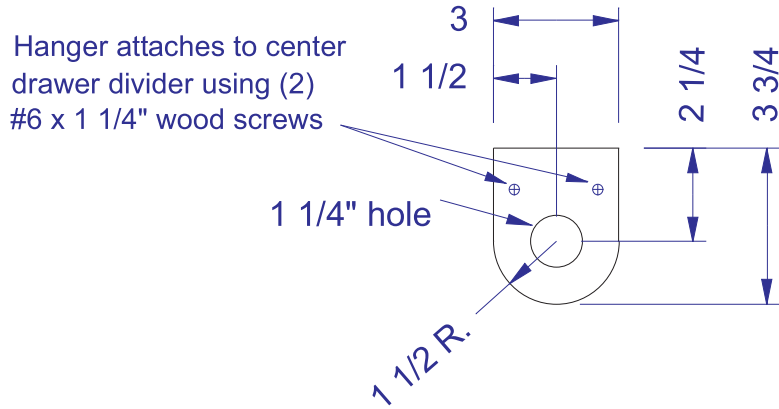


# (1) Bottom - 3/4" Cherry Plywood

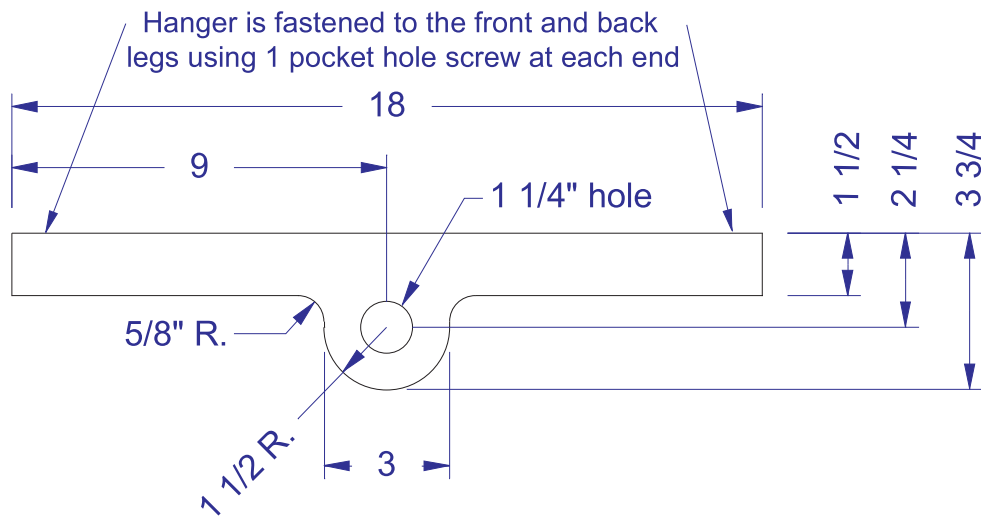


Shelf rests on 1" x 3/4" cleats fastened to the bottom of the shelf. One cleat is fastened to the right rail and the other two cleats fasten to the front and back rails. Any hardwood can be used to make the cleats.

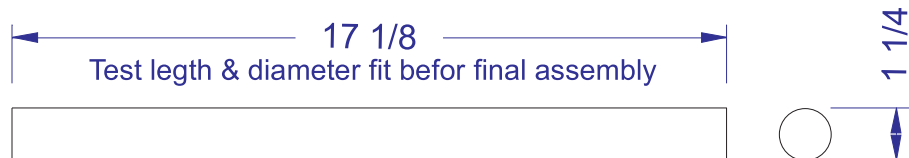
## (1) Left Rod Hanger - 3/4" Cherry



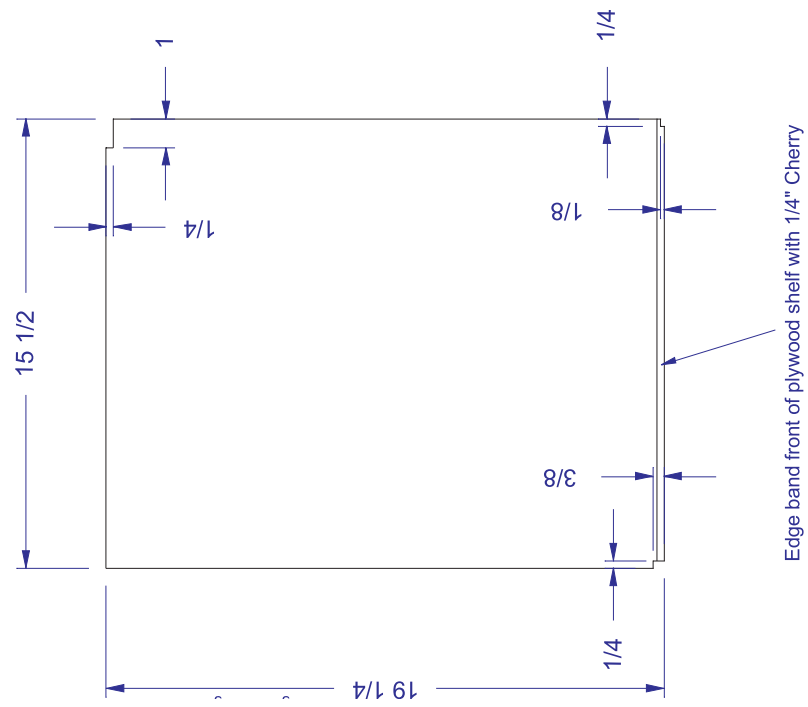
## (1) Right Rod Hanger / Shelf support - 3/4" Cherry



## (1) 1 1/4" Dowel - Oak or Cherry

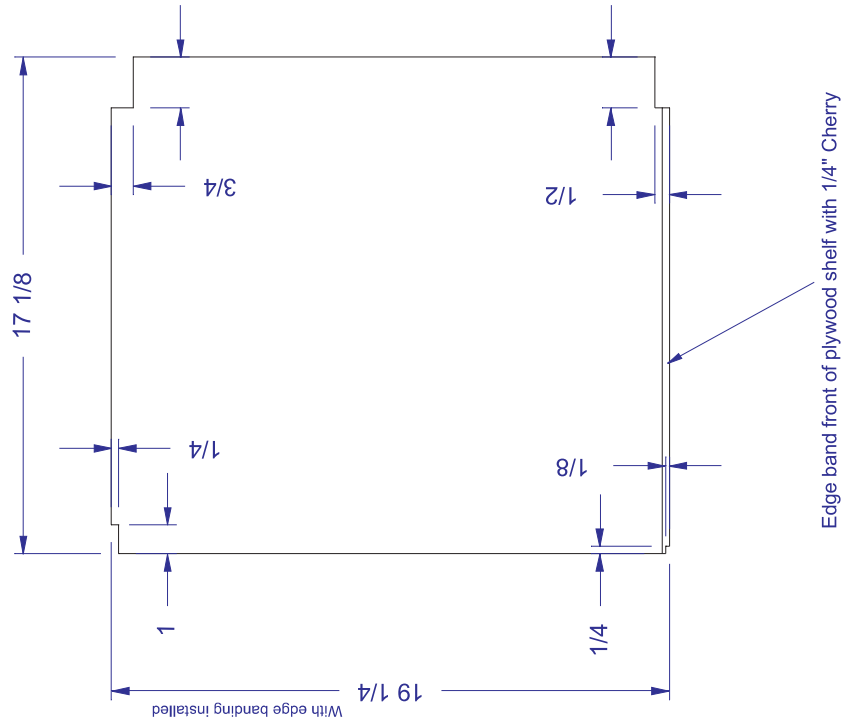


(1) Left Shelf - 3/4" Cherry plywood

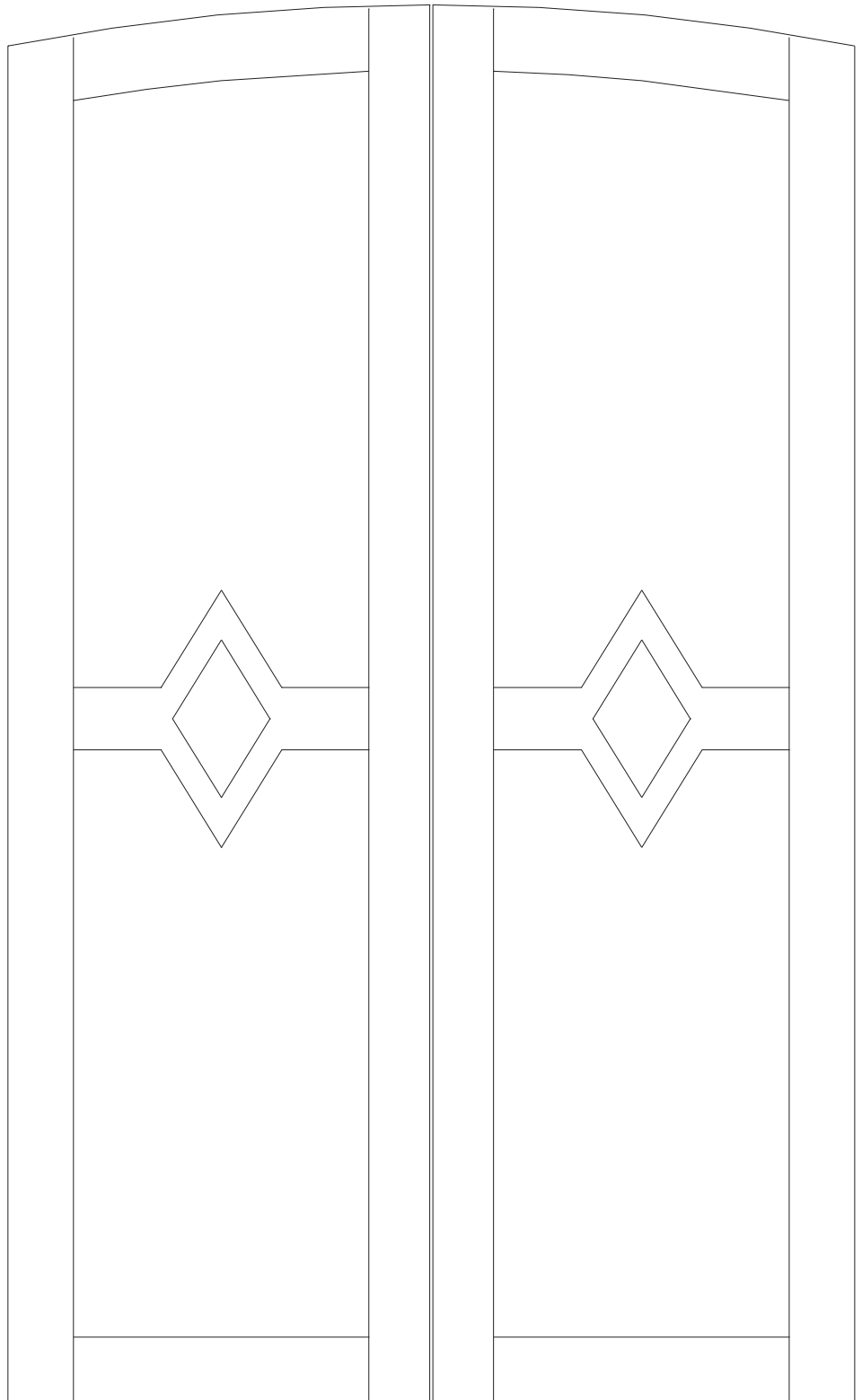


(1) Right Shelf - 3/4" Cherry plyw.

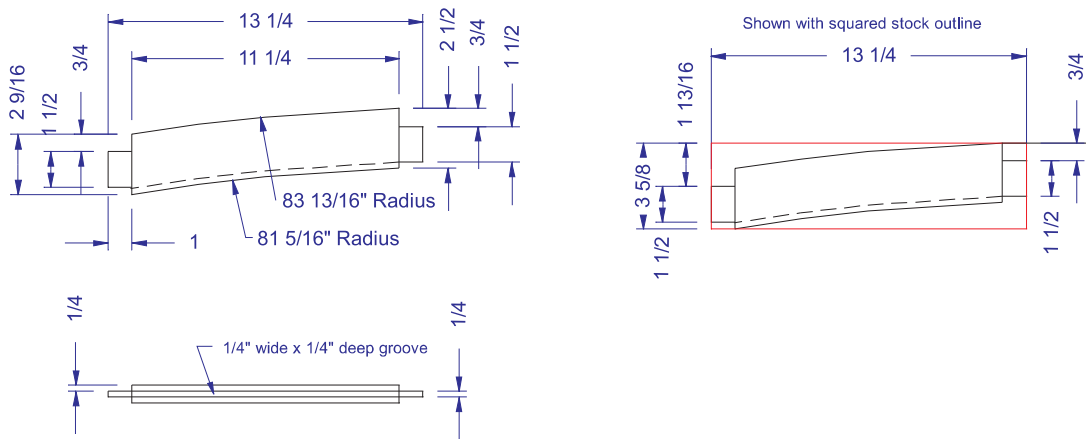
Adjust this length if needed during assembly. This shelf gets installed after the case is assembled.



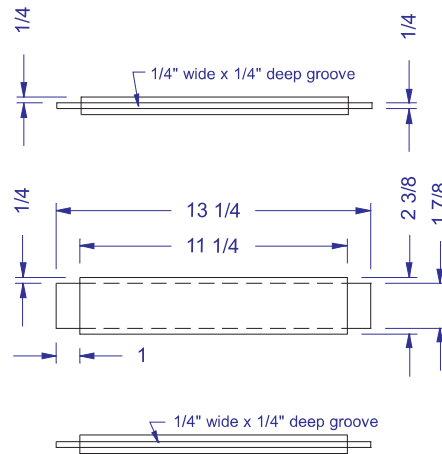
# Doors



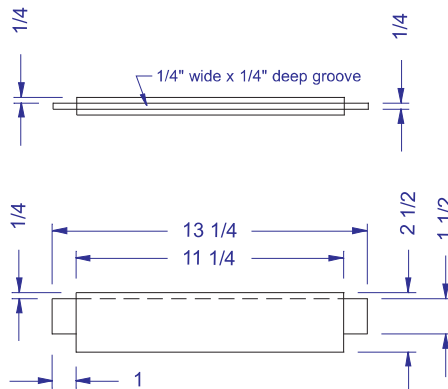
(2) Door Upper Rails - 3/4" Cherry  
Left Rail Shown



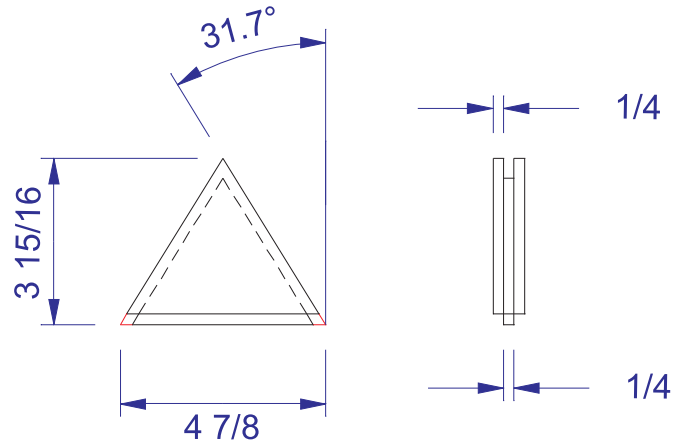
(2) Door Middle Rails - 3/4" Cherry



(2) Door Bottom Rails - 3/4" Cherry

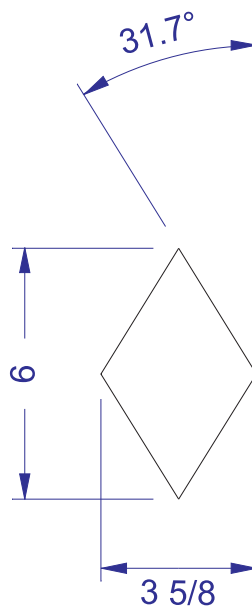


## (4) Rail Triangles - 3/4" Cherry

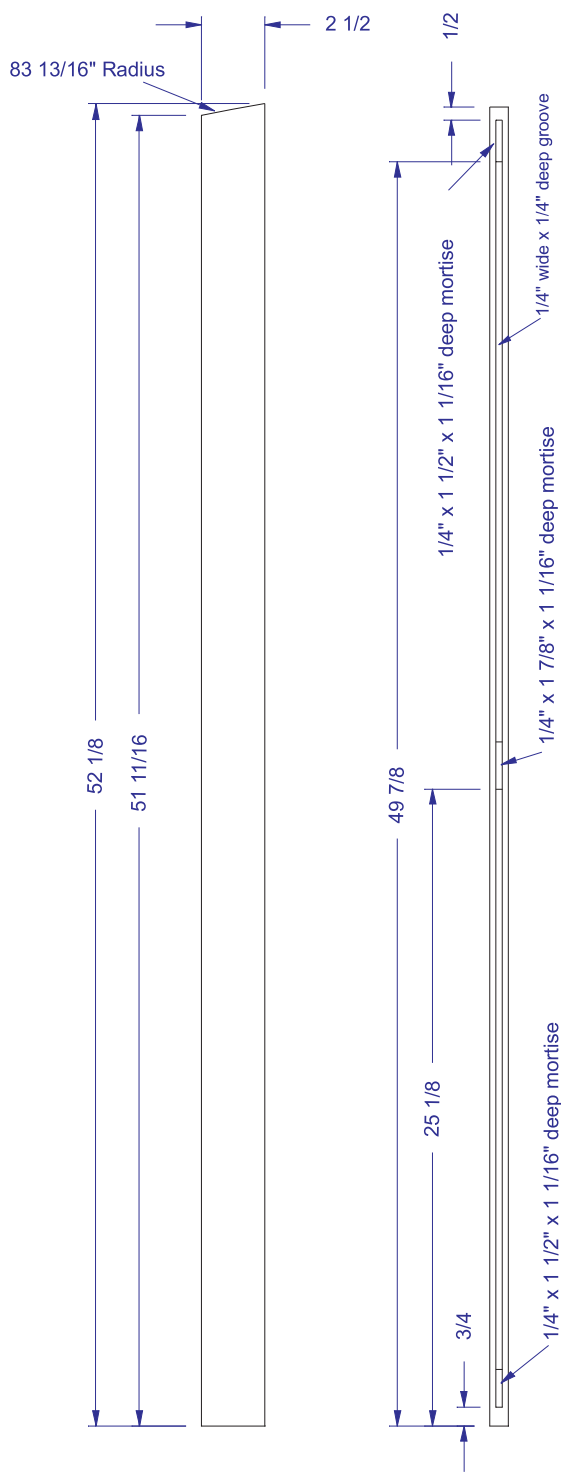


To theoretical sharp corners

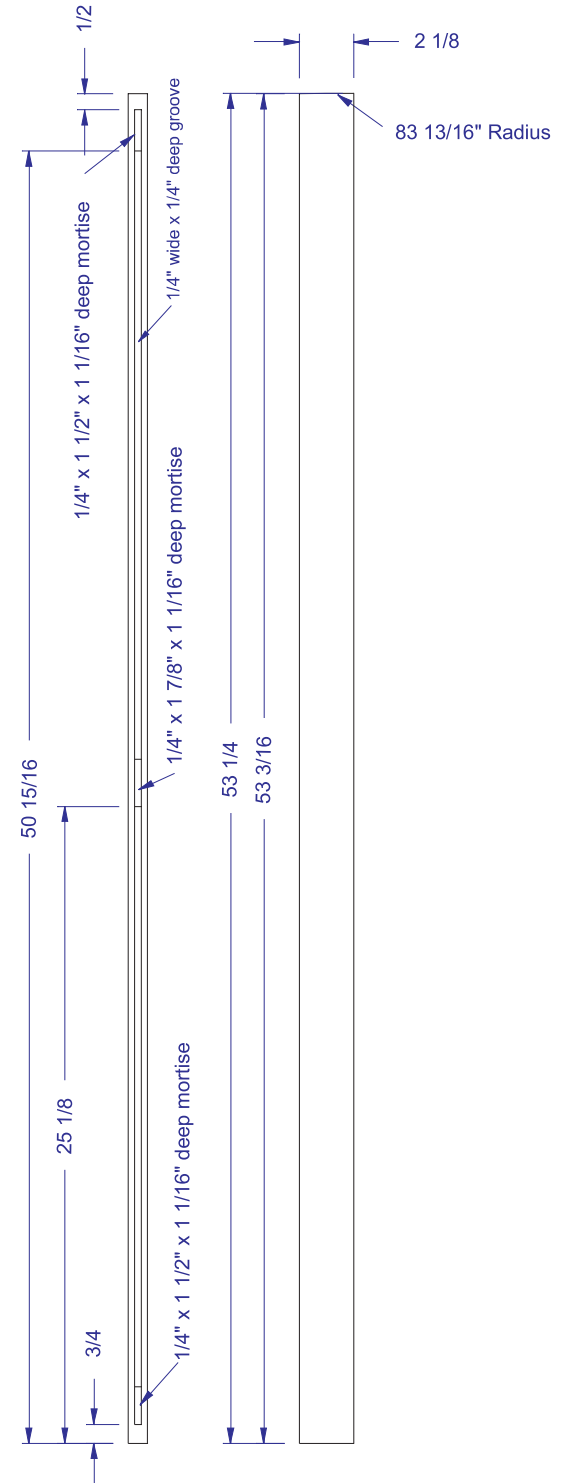
## (2) Diamond Appliques - 1/8" Walnut



(2) Door Stiles - outside - 3/4" Cherry  
Left Door Stile Shown

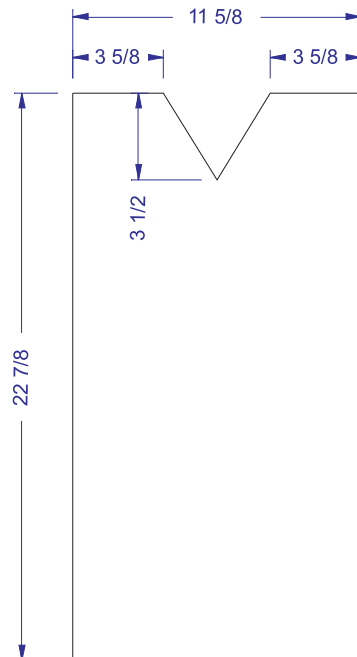
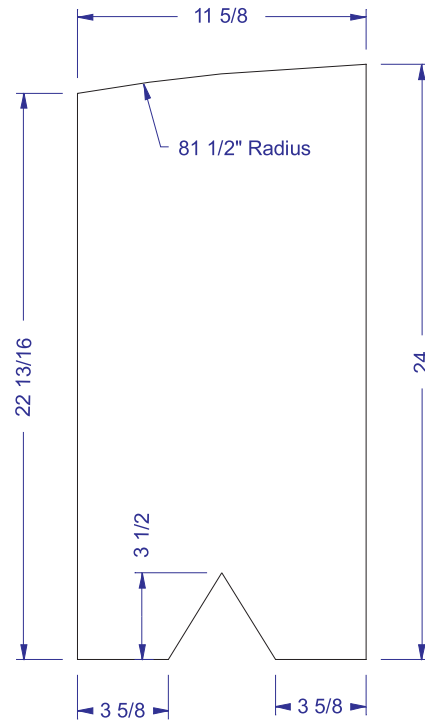


(2) Door Stiles - Inside - 3/4" Cherry  
Left Door Stile Shown

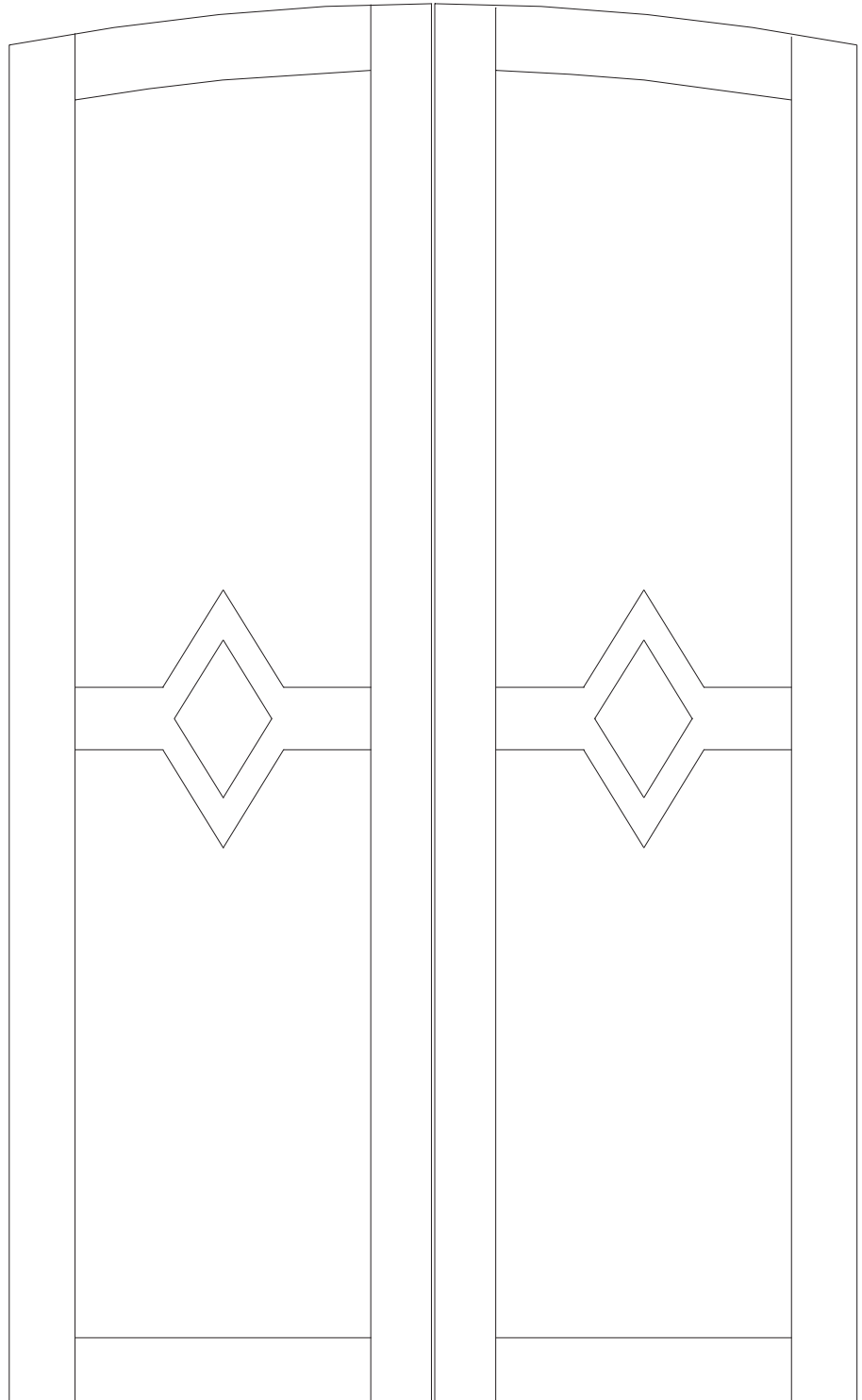


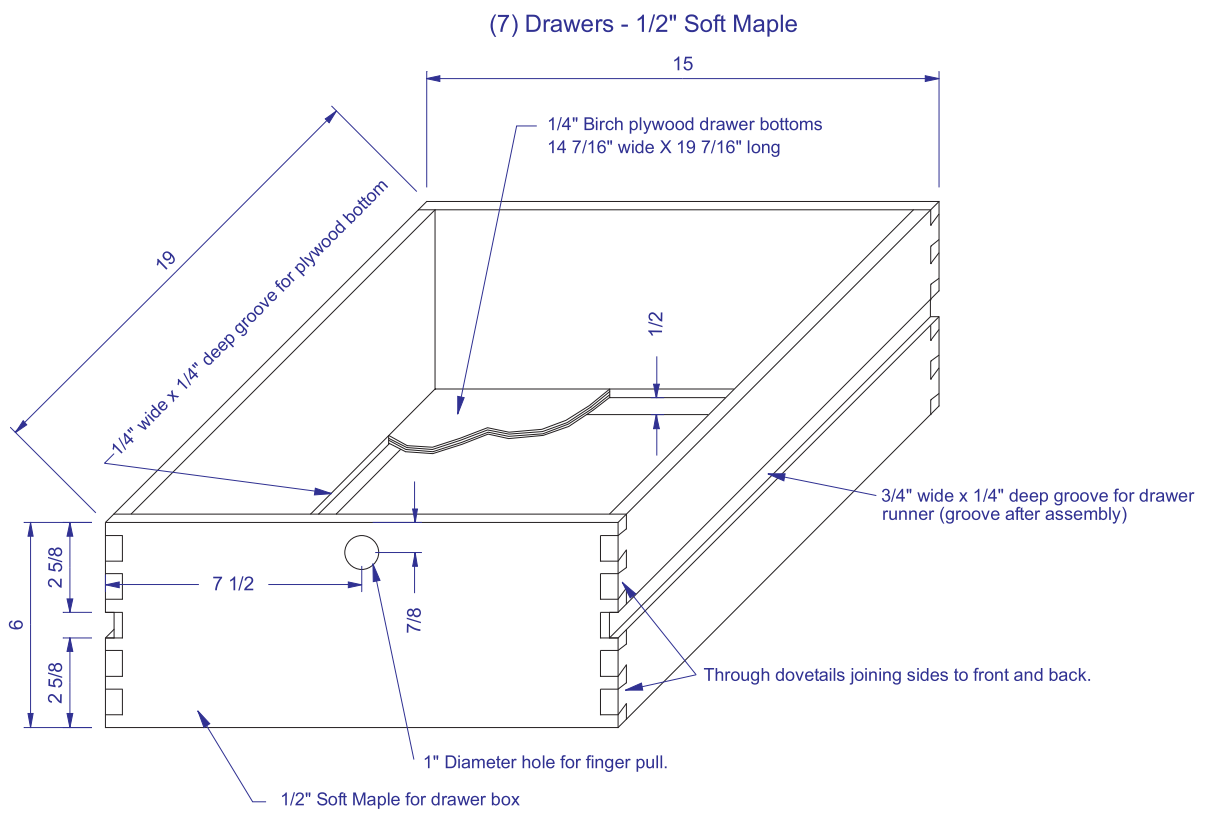


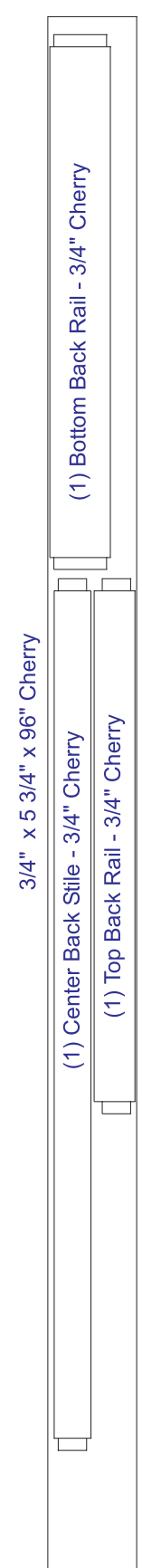
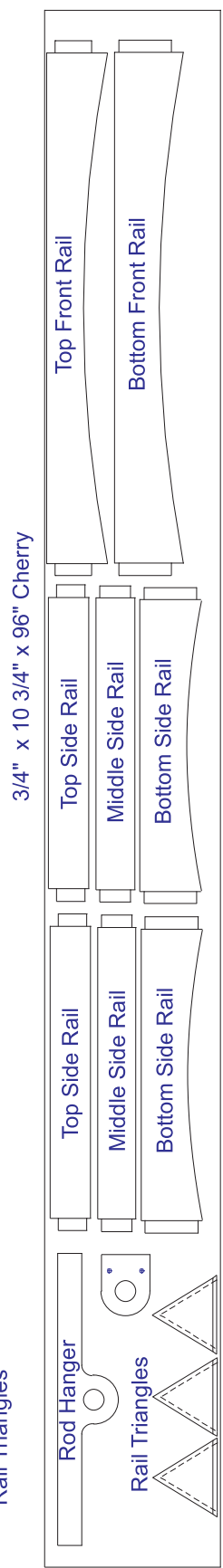
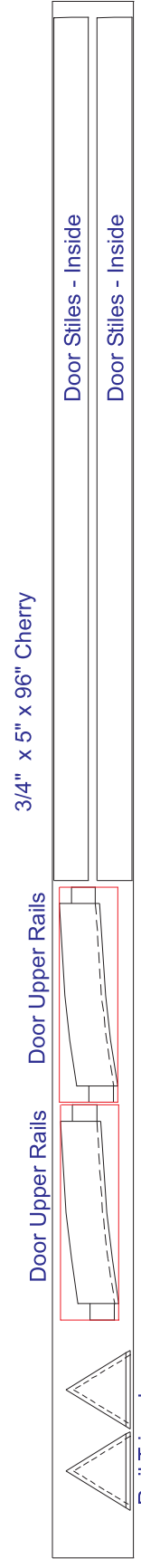
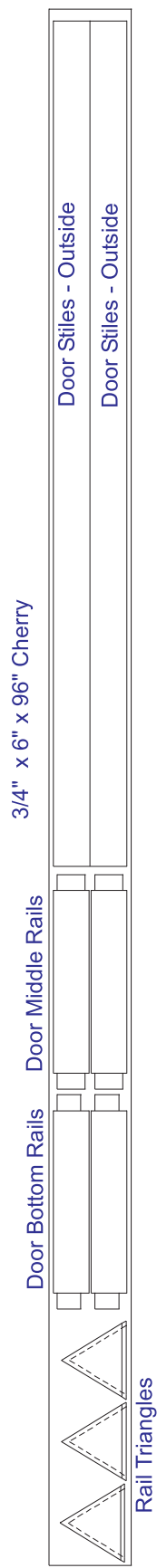
(2) Door Panel Sets - 1/4" Cherry  
Left Door Panel Shown



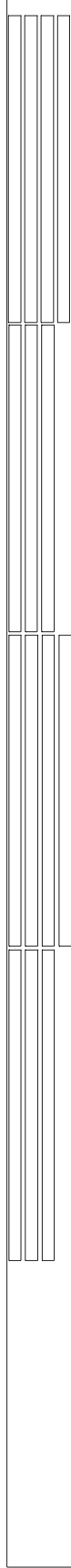
3/8" x 3/8" rabbet around outside edges and top and bottom edges of doors.  
This rabbet is to be milled on the back side of the doors.  
The doors are mounted to the frame using "Partial wrap" - self closing hinges - 2 per door  
located 4" down from top and 4" up from bottom. Woodcraft part number 130138.



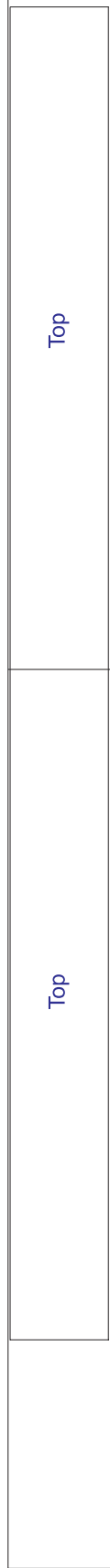




1/2" x 4" x 96" Cherry  
Drawer Runners



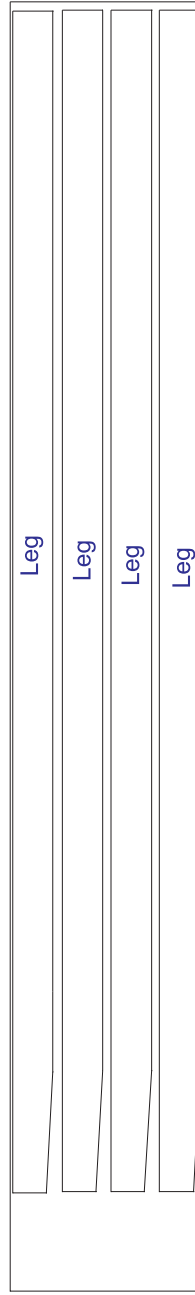
1" x 6 3/8" x 96" Cherry



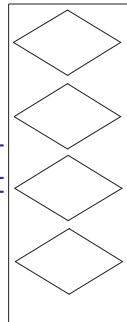
1" x 6 3/8" x 96" Cherry



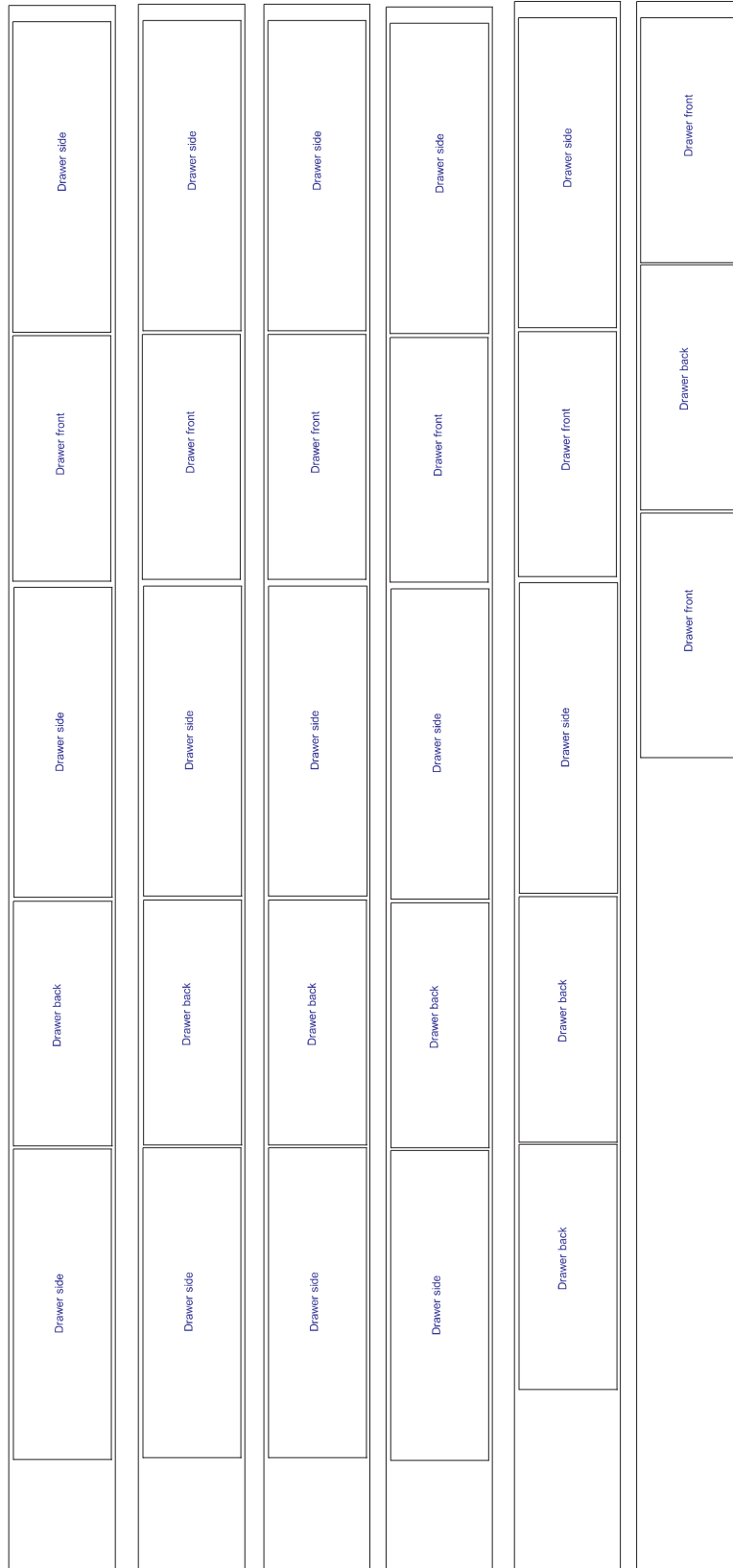
1 1/4" x 10 1/4" x 72" Cherry



1/8" x 7" x 18" Walnut  
Applique



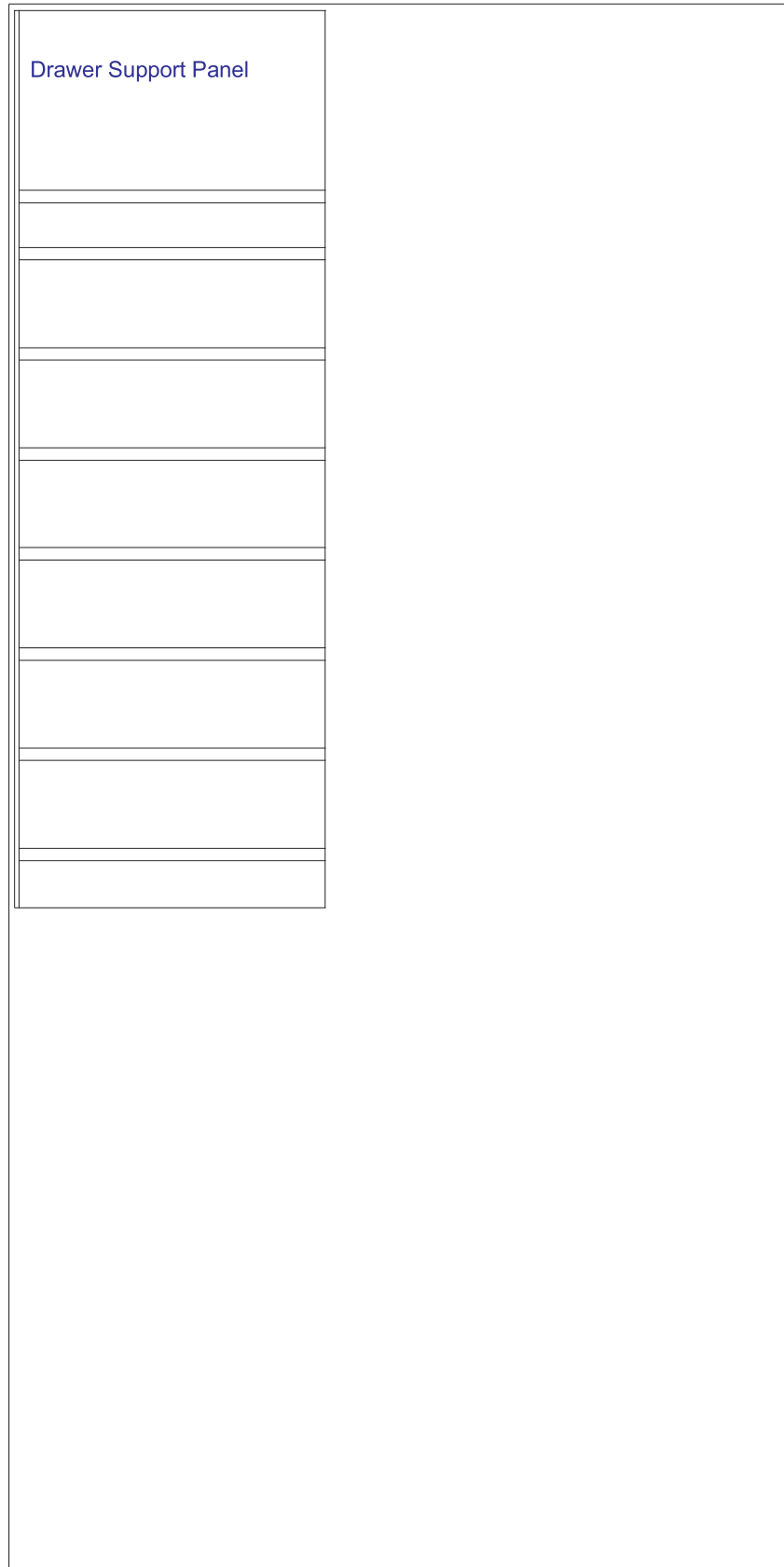
(6) Boards - 1/2" x 6 1/2" x 96" Soft Maple



1/4" x 48" x 96" Birch plywood

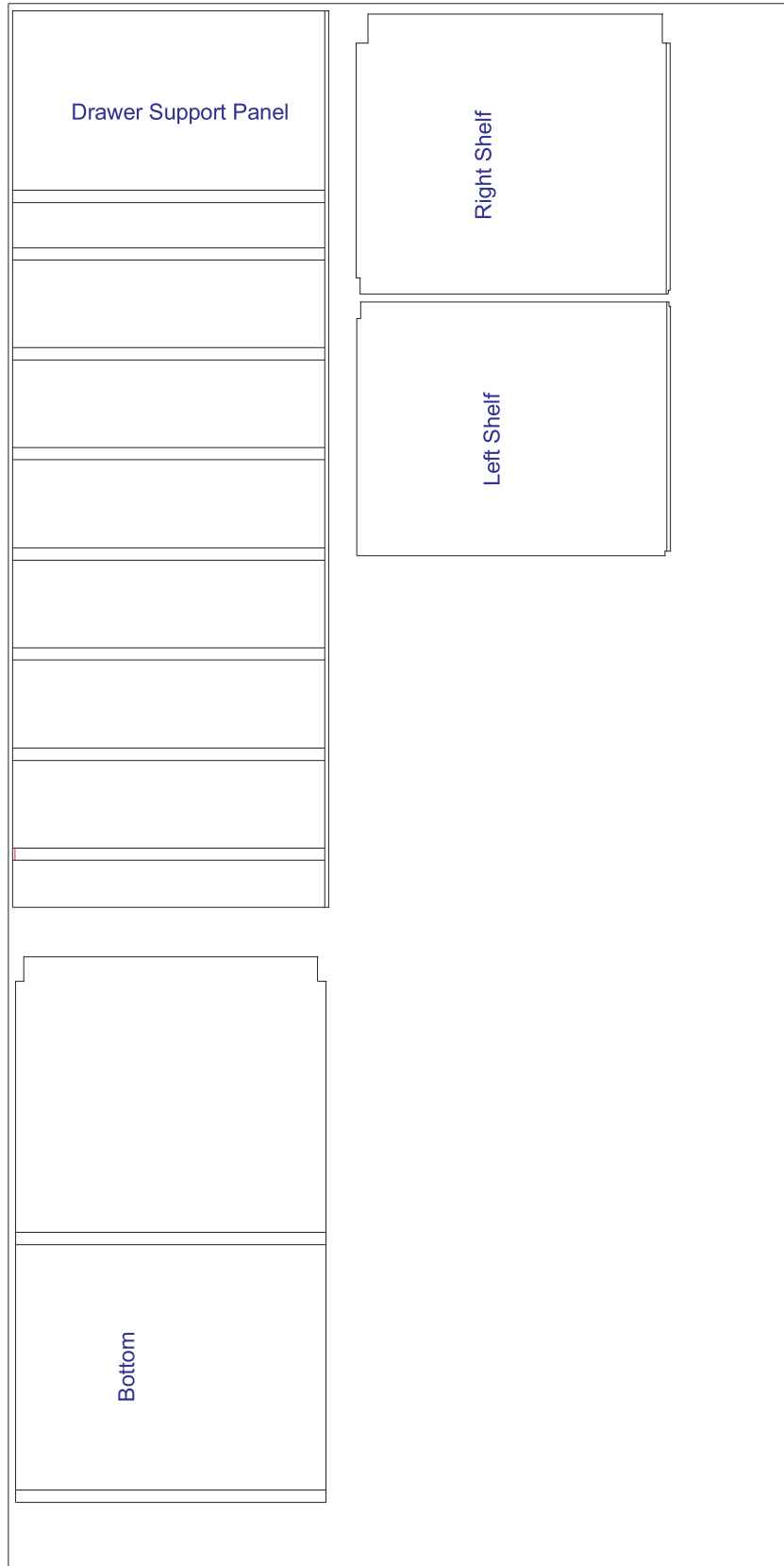


3/4" x 48" x 96" Birch plywood

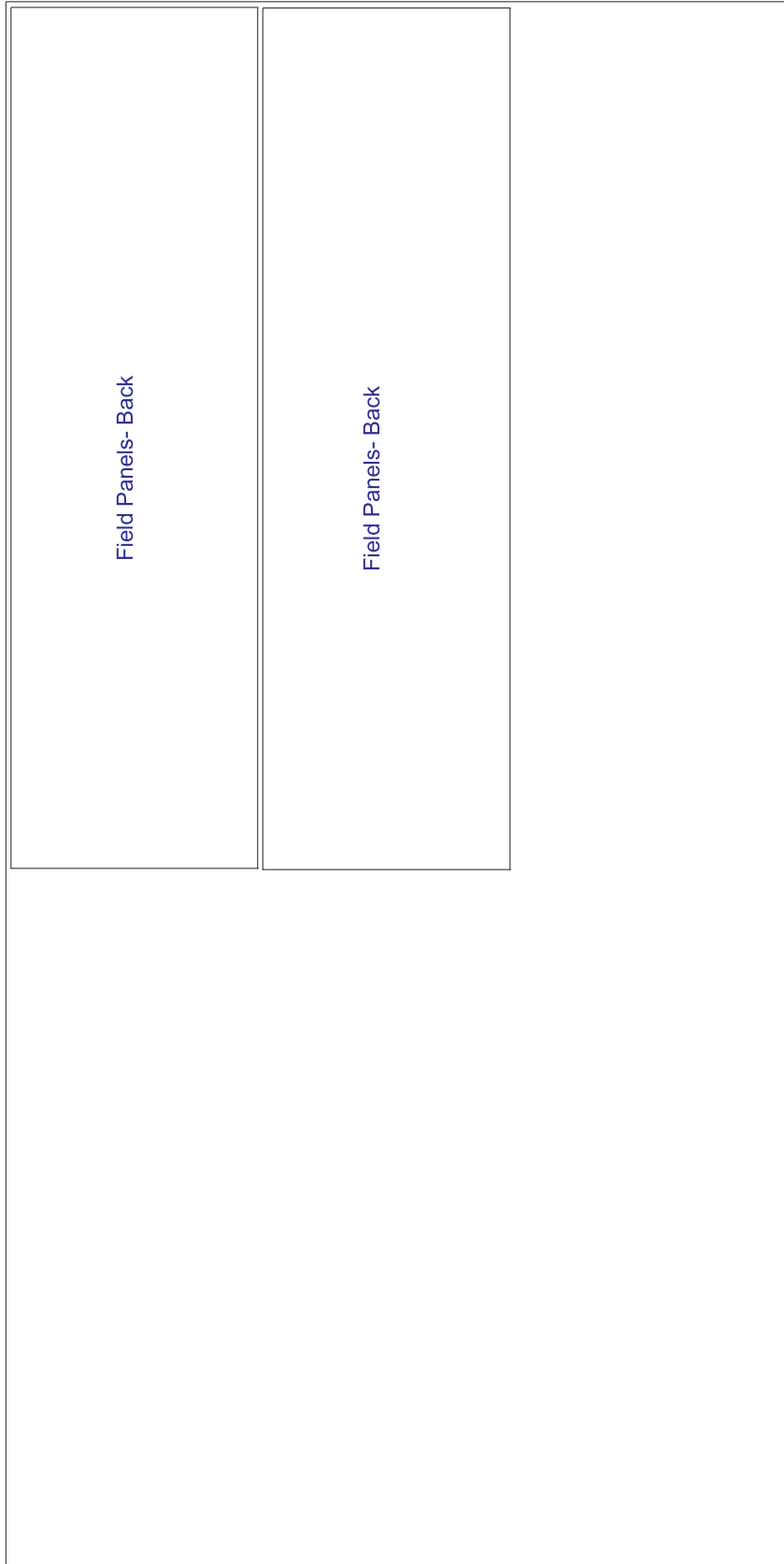




3/4" x 48" x 96" Cherry plywood

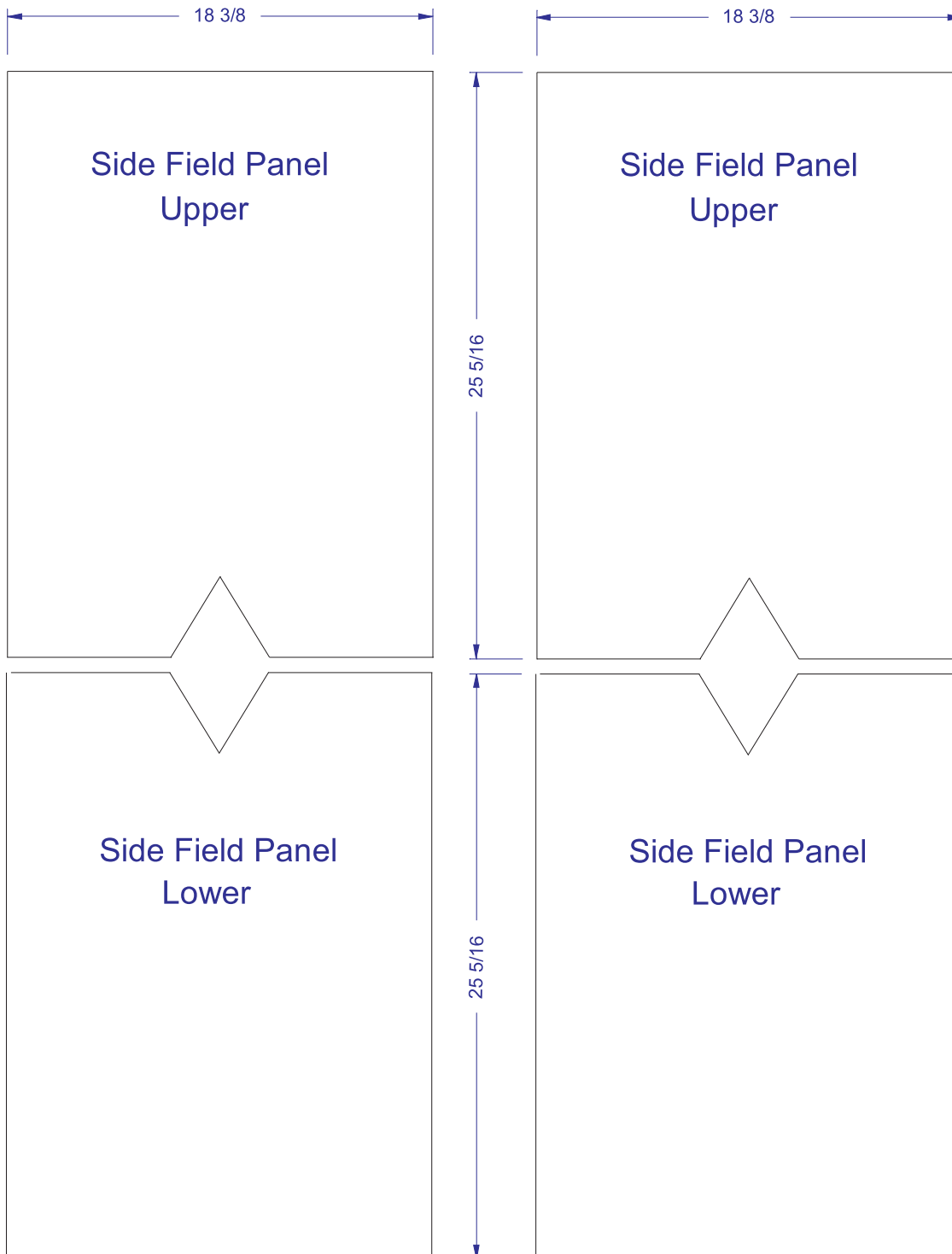


1/4" x 48" x 96" Cherry plywood



## 1/4" Solid Cherry

Depending on method, you can either purchase 1/2" cherry and plane it to 1/4" or you can re-saw 3/4" Cherry and plane that to 1/4". Select enough material to suit your method.



## 1/4" Solid Cherry

Depending on method, you can either purchase 1/2" cherry and plane it to 1/4" or you can re-saw 3/4" Cherry and plane that to 1/4". Select enough material to suit your method.

