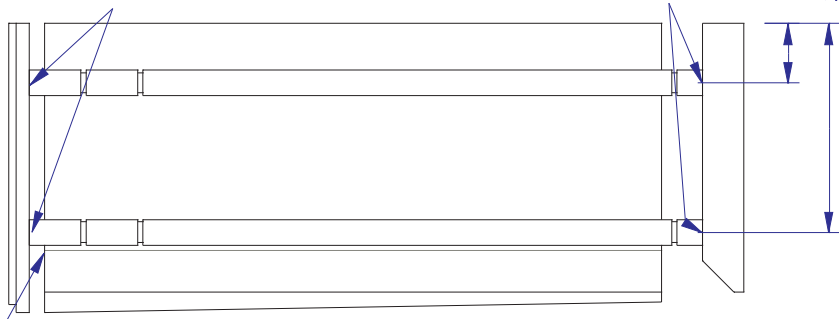
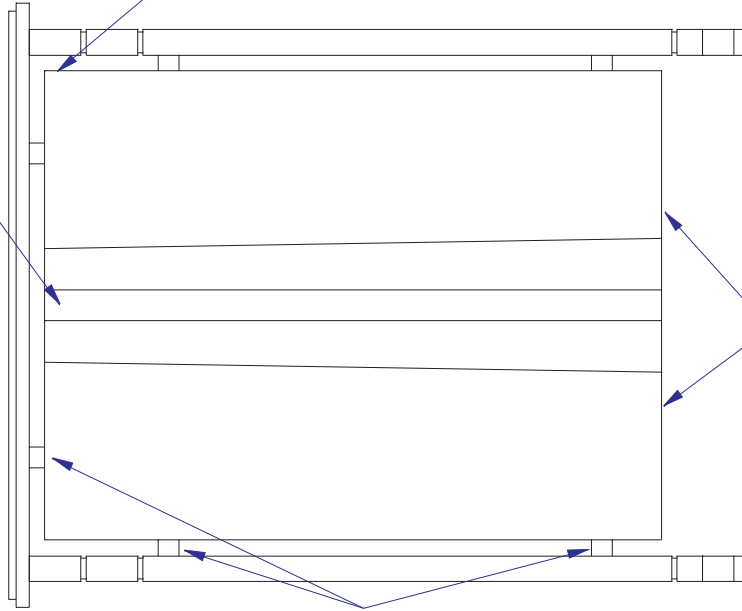


Use a 1/4" diameter rare earth magnet as a door catch

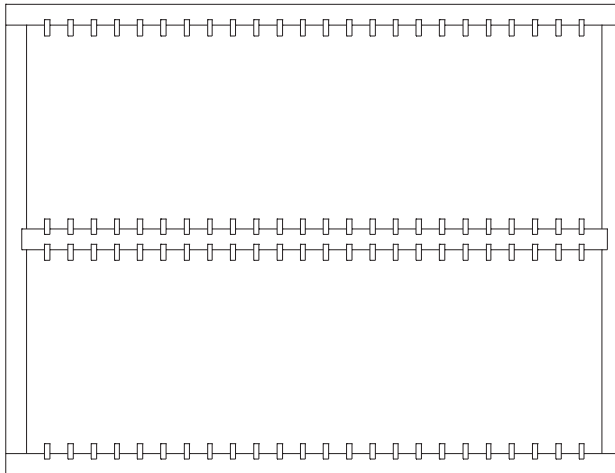


Join case sides to case top and bottom using 2 #0 biscuits at each joint.

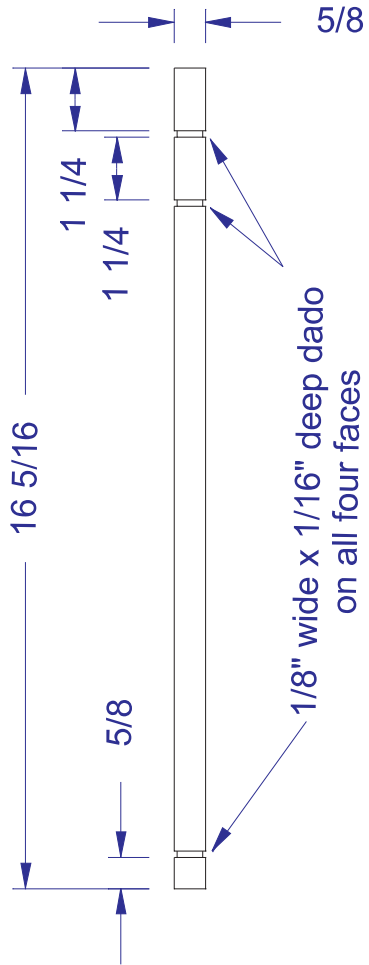


Use a small piano hinge to attach door

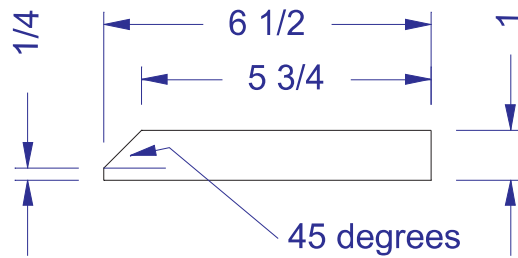
Attach case to frame top and legs using #8 x 1 1/4" screws
Make spacers (to hide screws) from walnut or maple.
Adjust vertical position of screws on sides to fit between CD supports



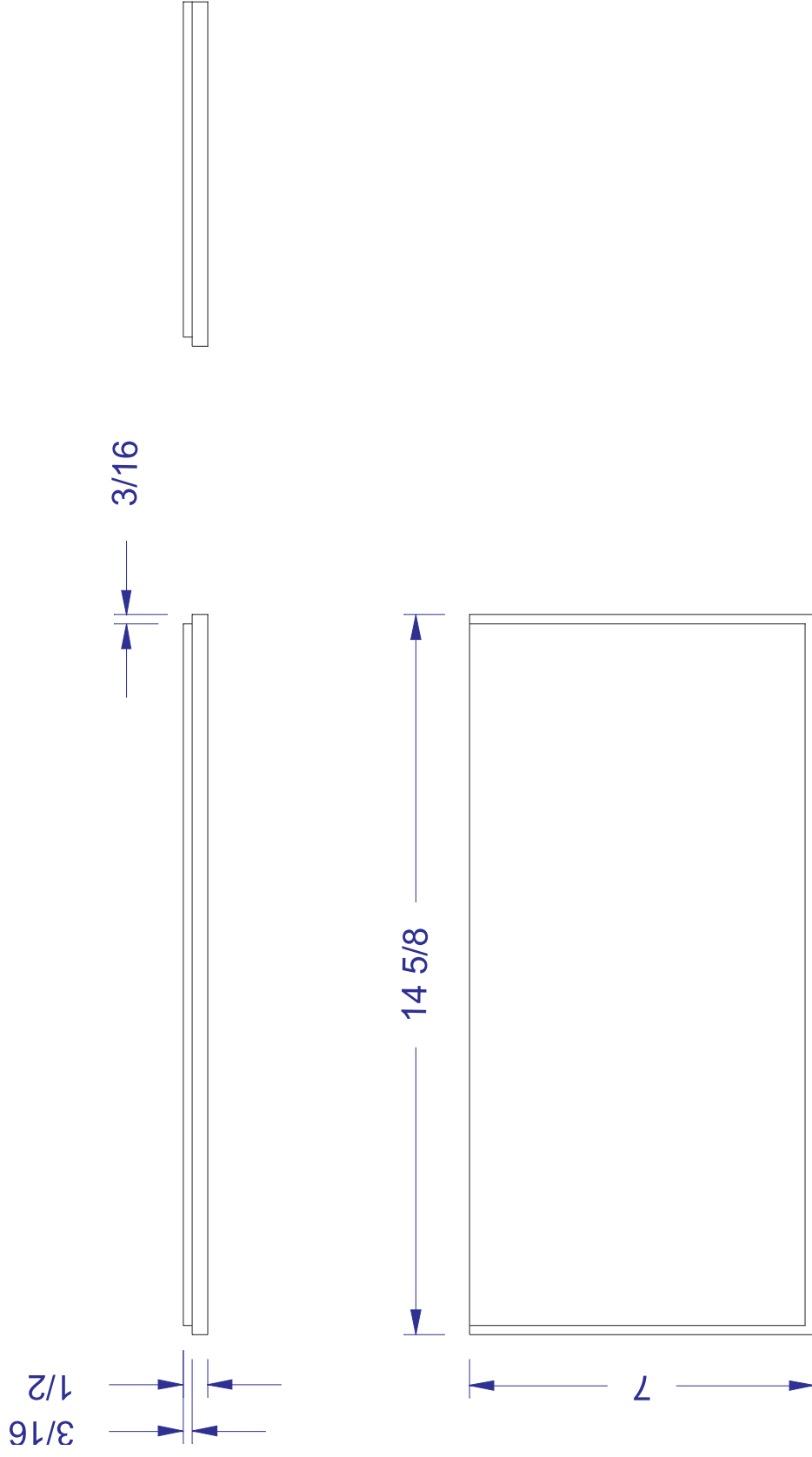
(4) Legs - 5/8" Walnut



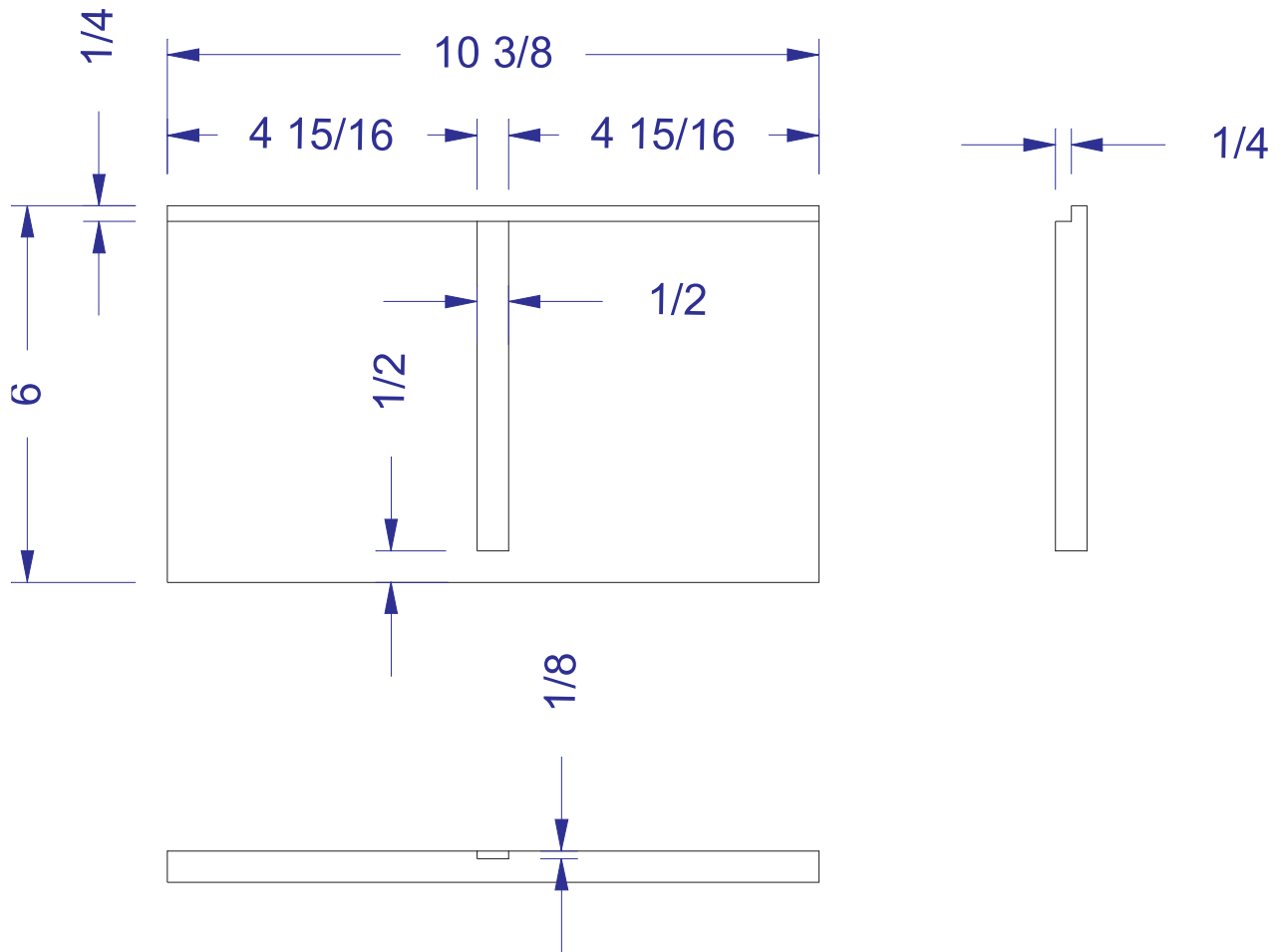
(2) Feet - 5/8" Walnut



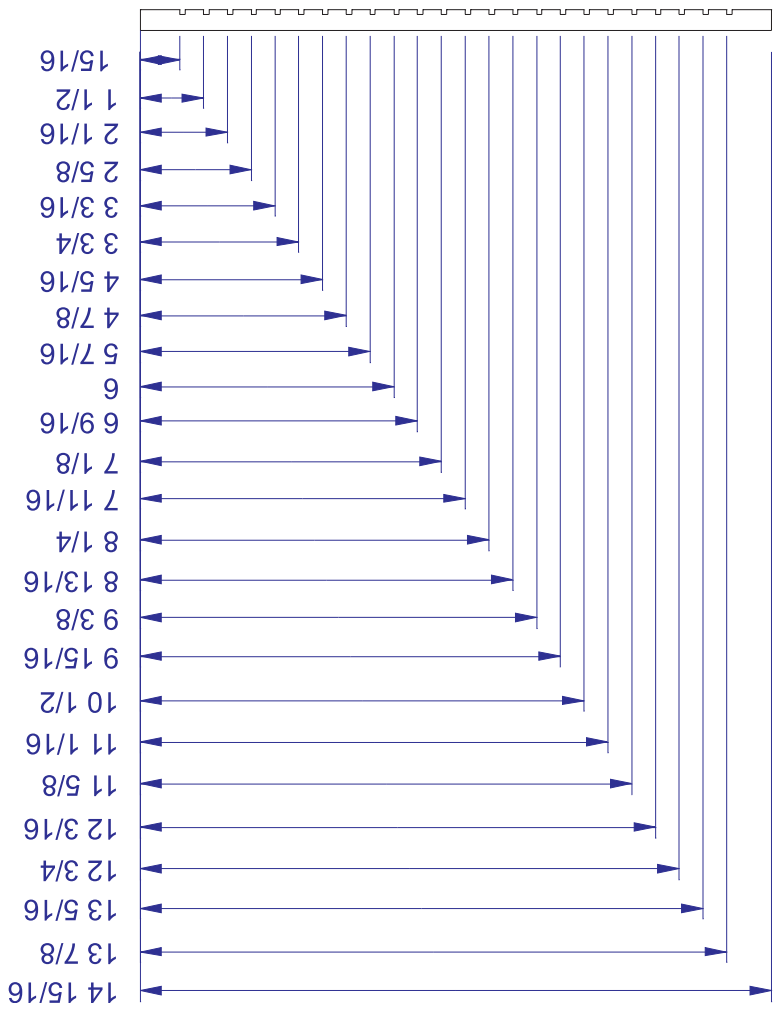
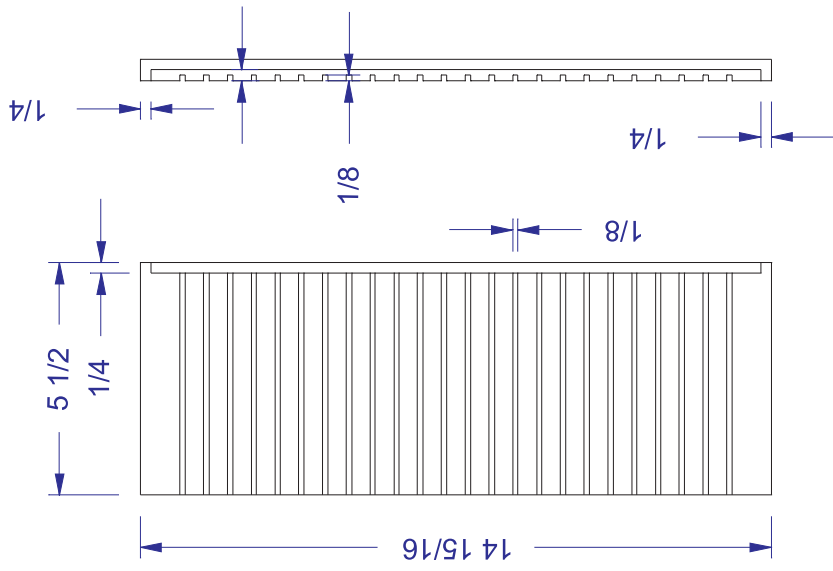
(1) Frame Top - 1/2" Maple



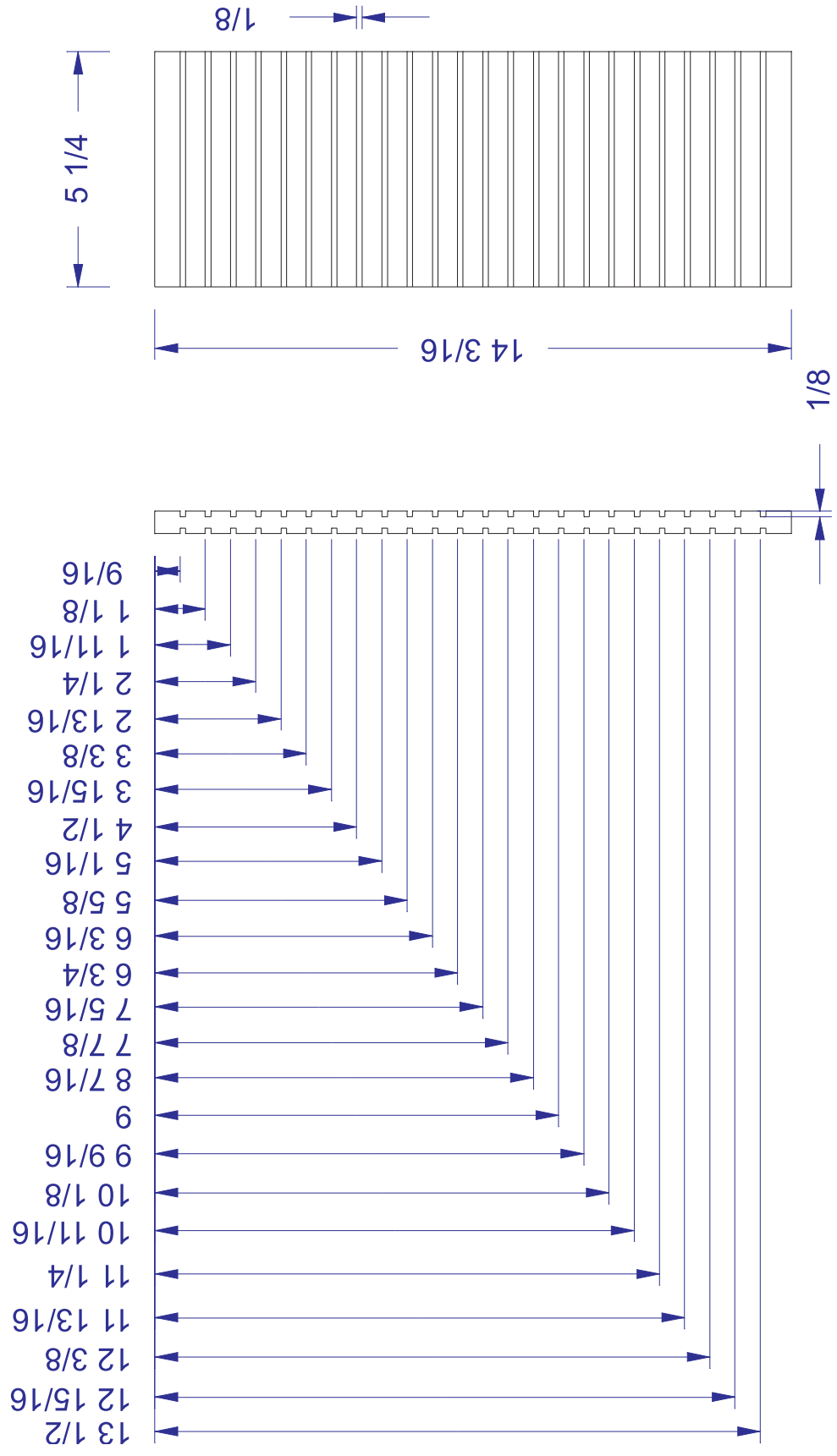
(2) Case top / bottom - 1/2" Maple



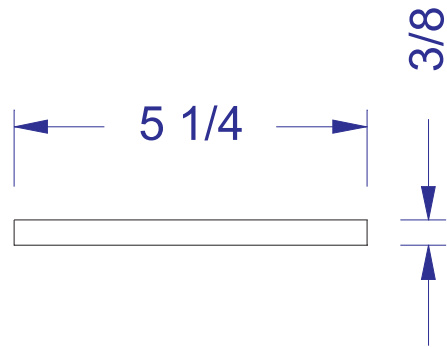
(2) Case sides - 1/2" Maple



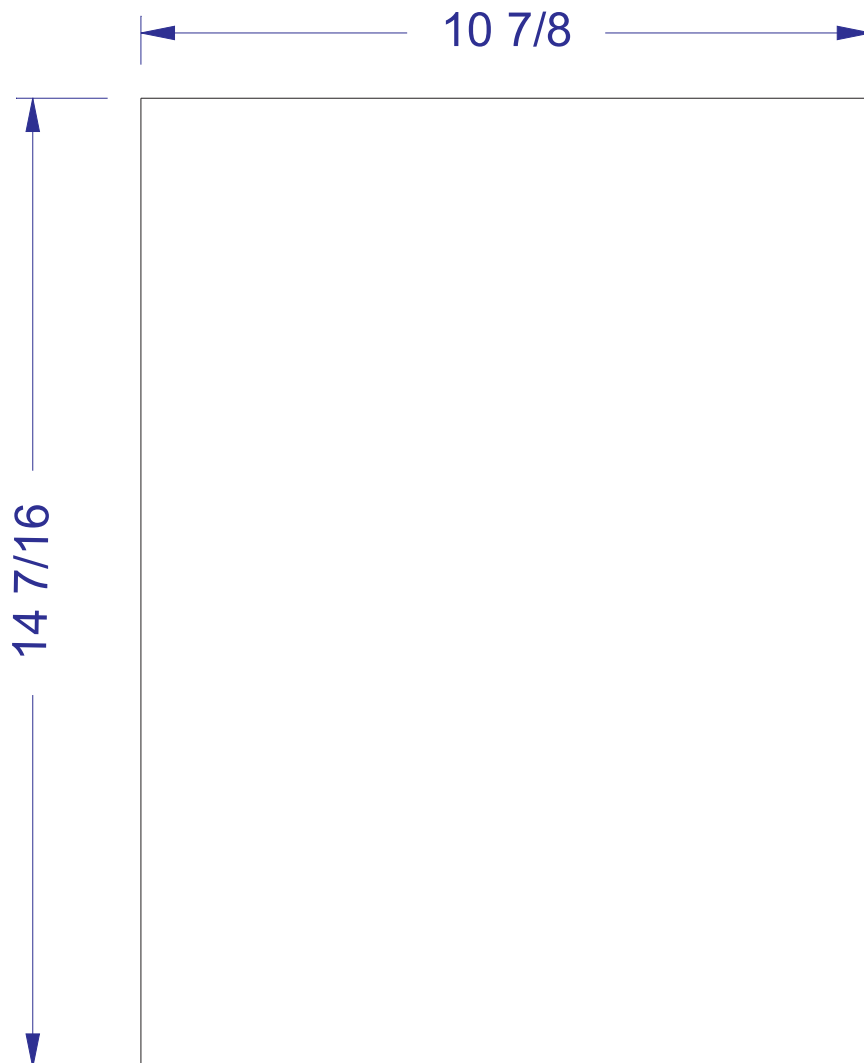
(1) Case divider - 1/2" Maple



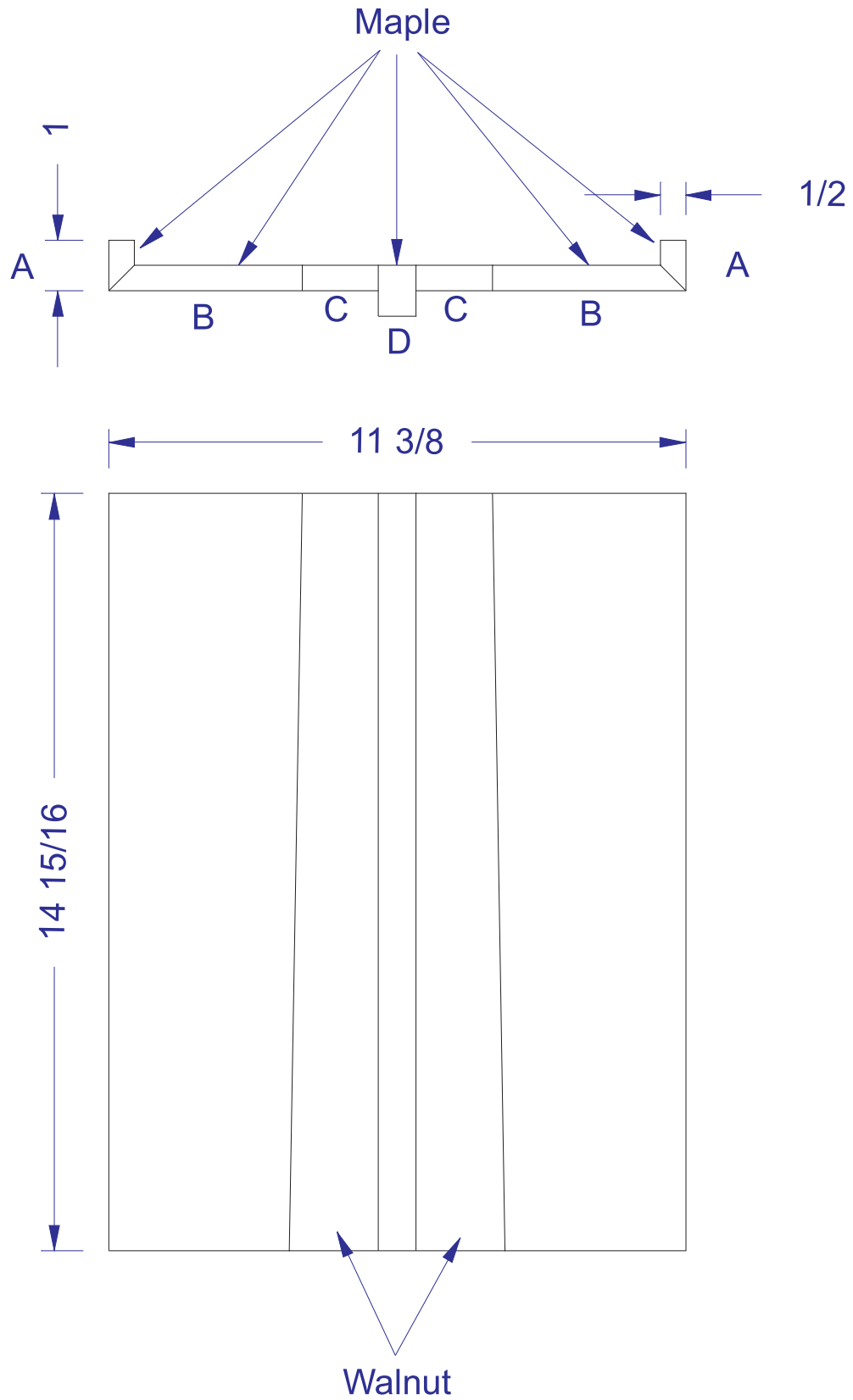
(96) Supports - 1/8" Baltic Birch Plywood



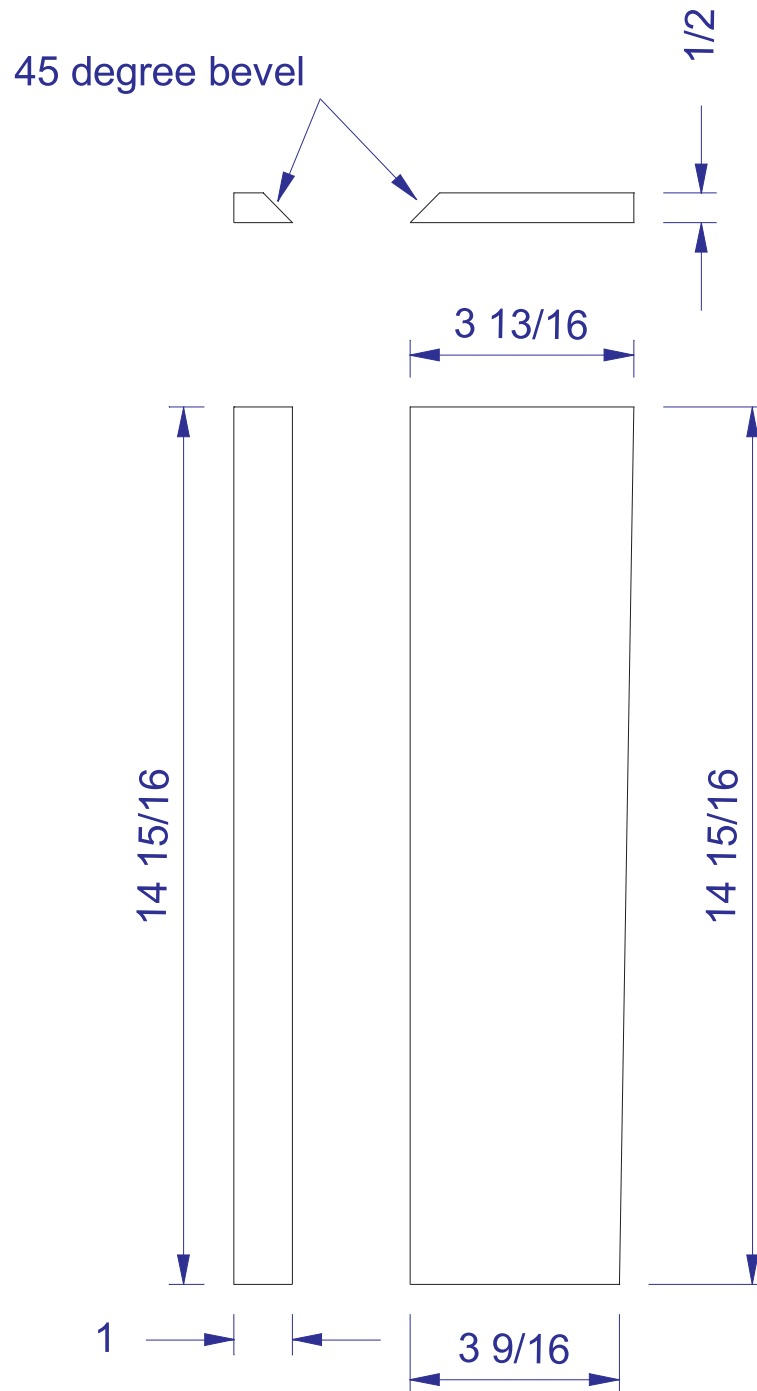
(1) Back panel - 1/4" plywood



Door Construction

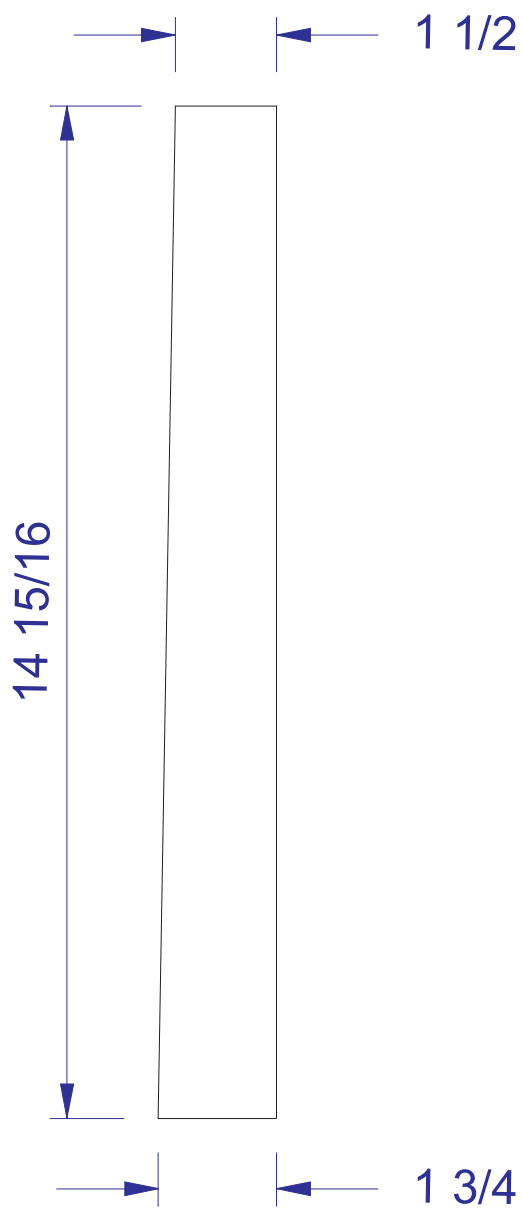


Door Components 'A' & 'B'
(2) each - 1/2" Maple
(Left side shown)



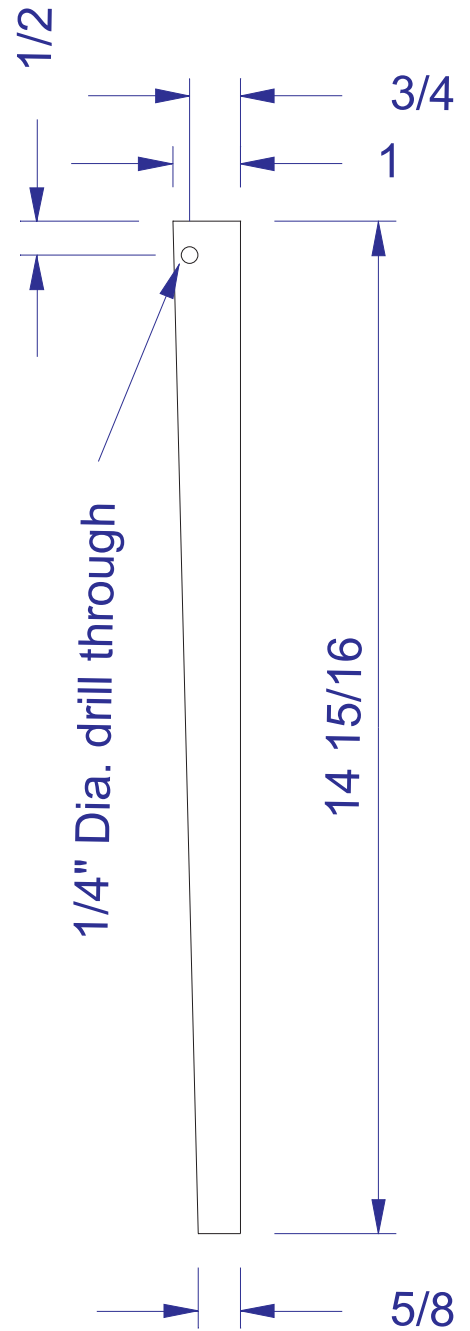
Door Components 'C'

(2) - 1/2" Walnut
(Left side shown)



Door Component 'D'

(1) 3/4" Maple



Other items:
1/8" x 24" x 48" Baltic birch plywood
1/4" x 12" x 15" birch or maple plywood - back panel
Rare earth magnets for door catch
Small piano hinge for door

