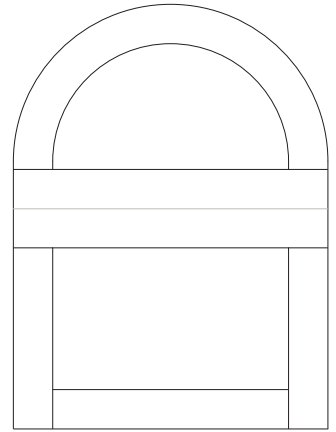
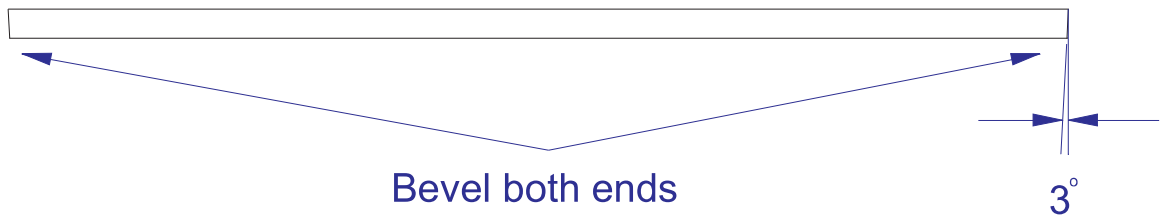
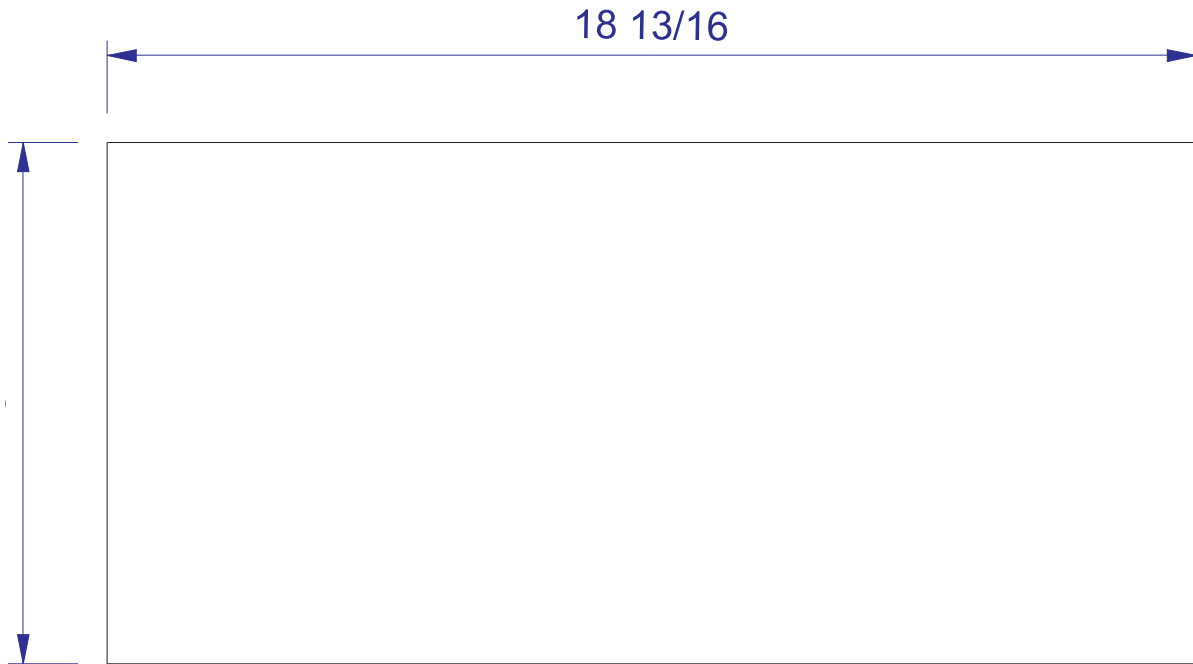


Front View

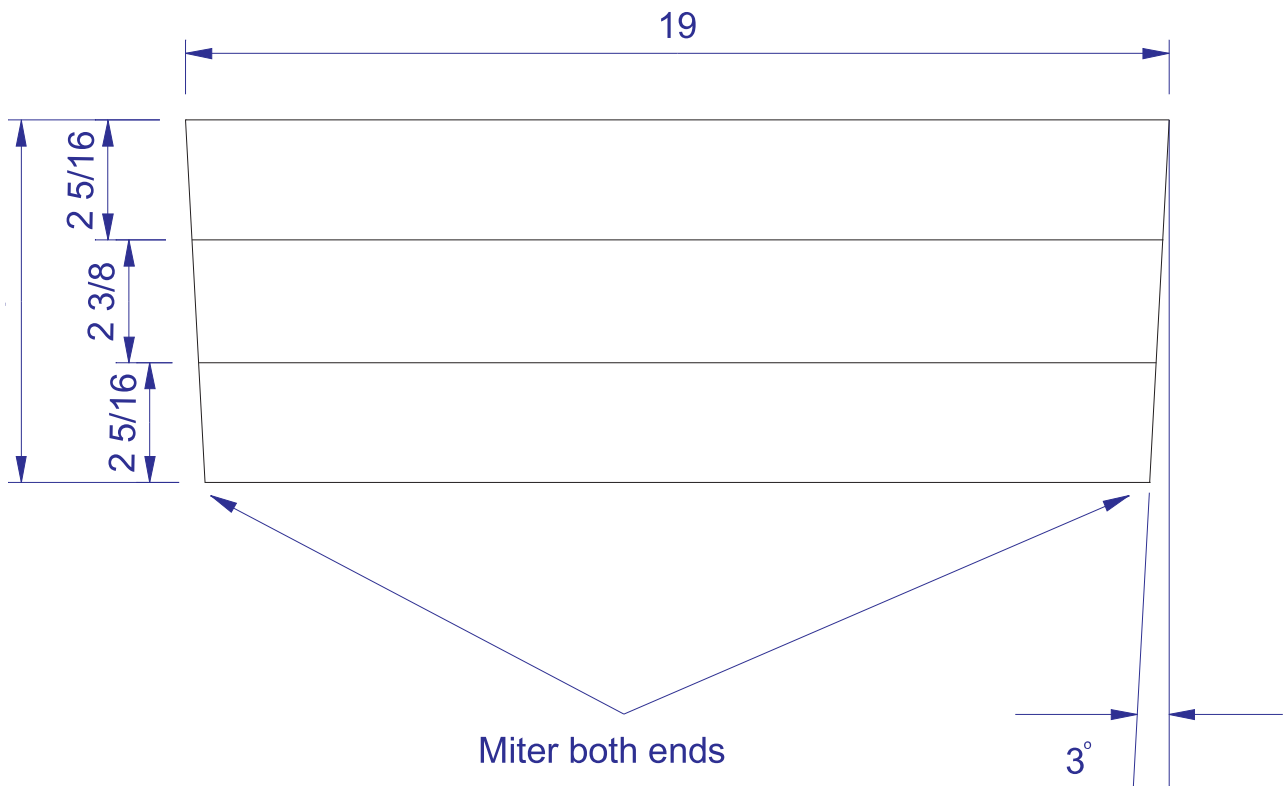


Side View

(1) Bottom - 1/2" Oak Plywood



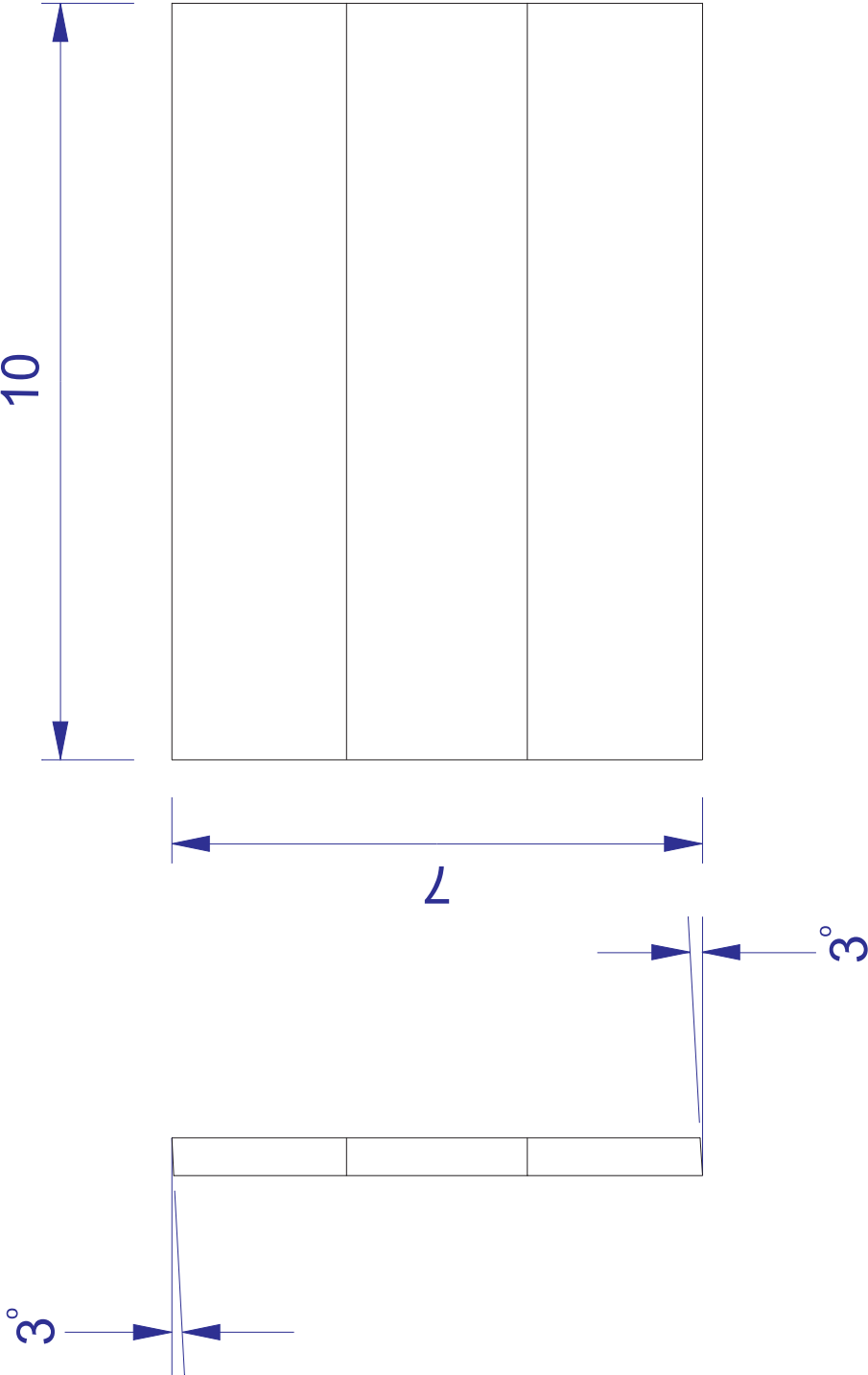
(1 each) Front - Back  
1/2" Oak - glue up  
Can be made from full width stock too



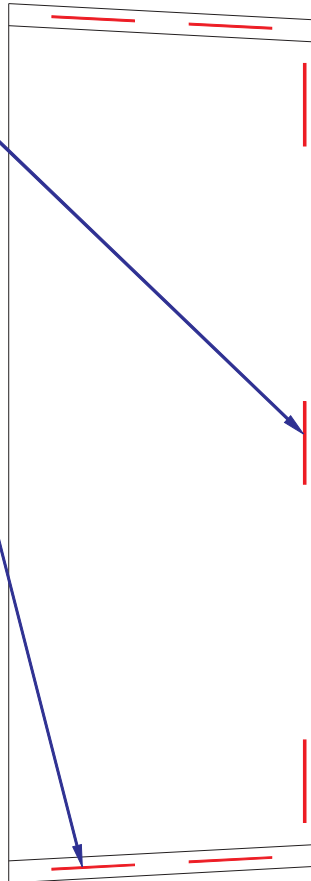
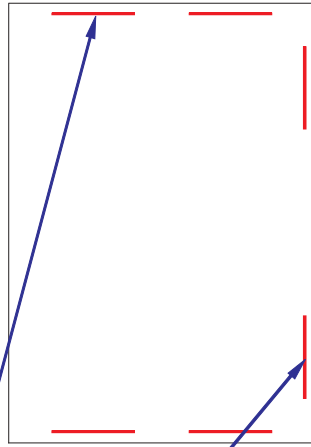
(2) Lower ends

1/2" Oak - glue up

Can be made from full width stock too



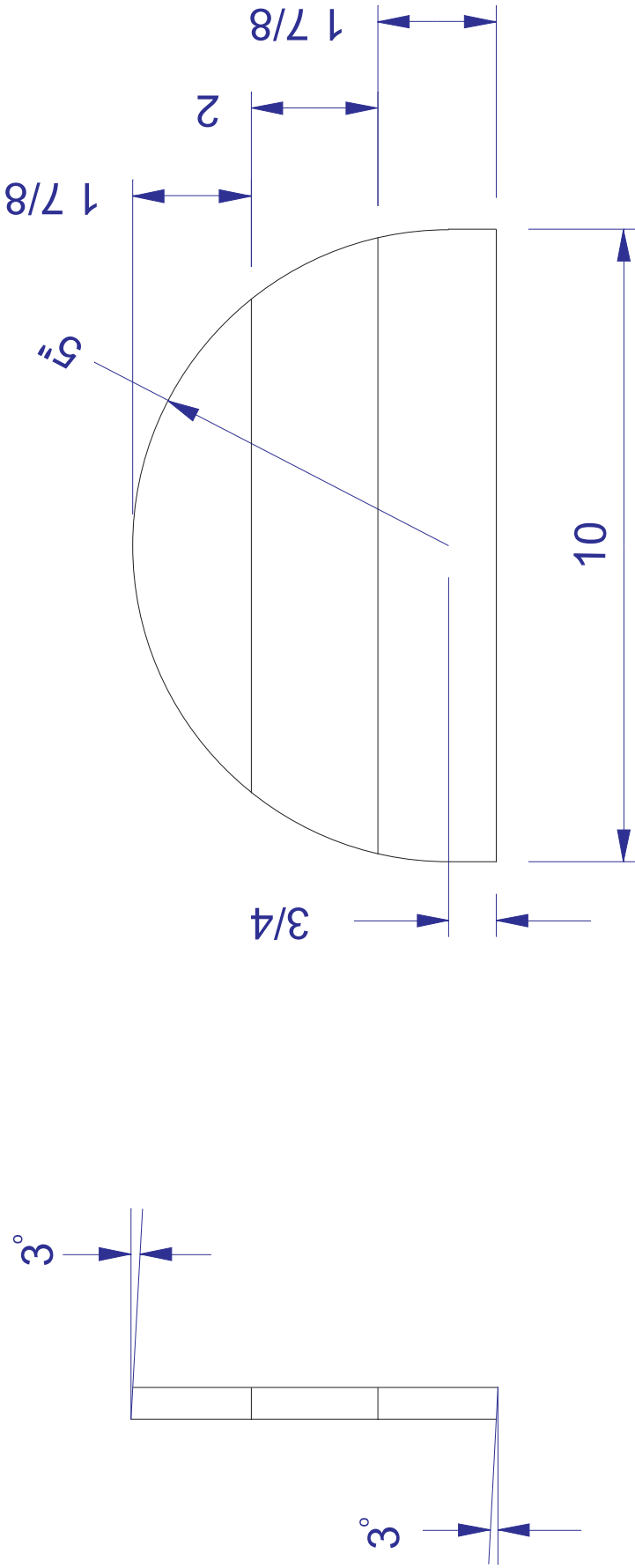
Join: ends, sides, and bottom with #0 biscuits

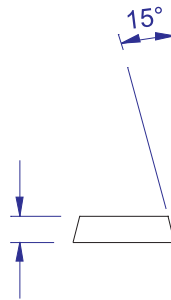
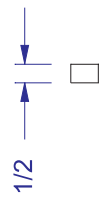
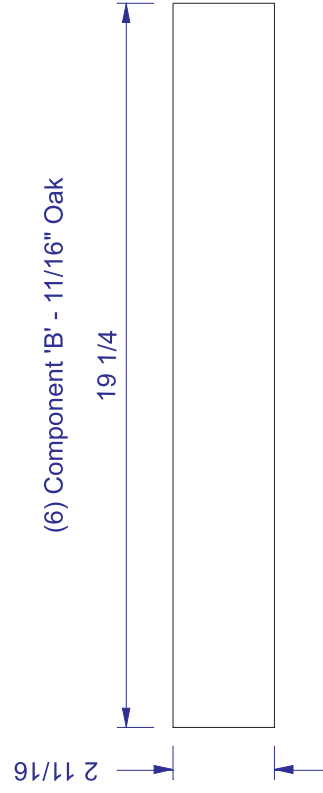
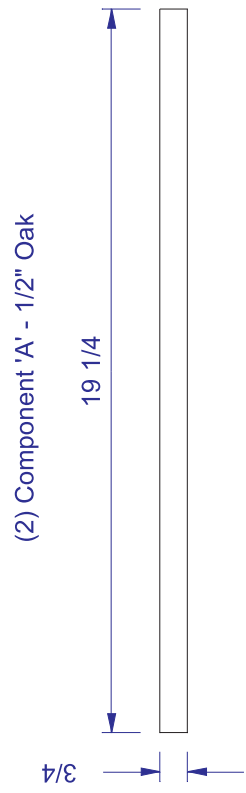
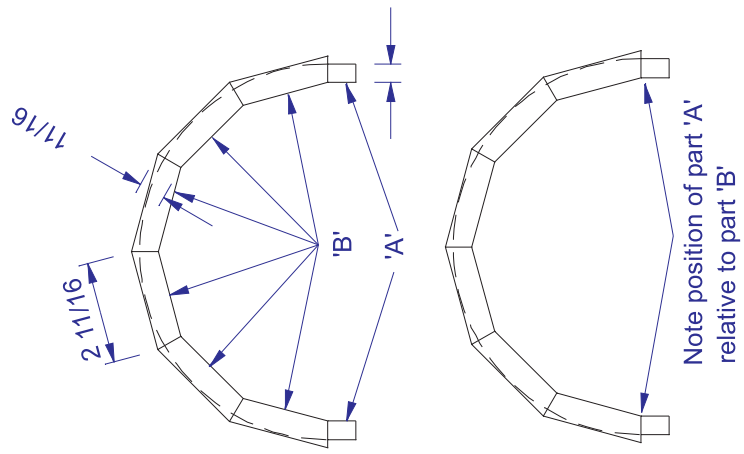


(2) Upper ends

1/2" Oak - glue up

Can be made from full width stock too





### Banding Layout

For banding, we used Walnut veneer.

As noted in the video, you may want to use adhesive backed veneer for easy installation.

