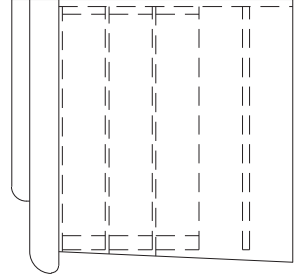
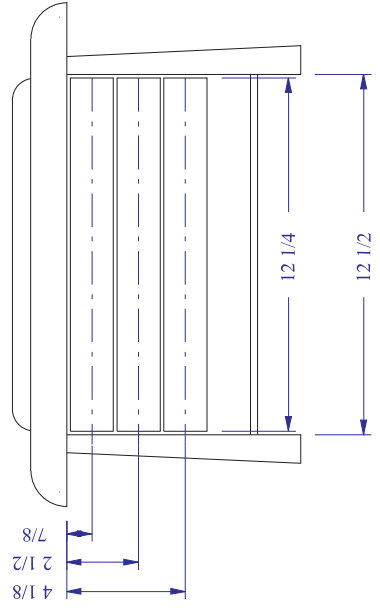
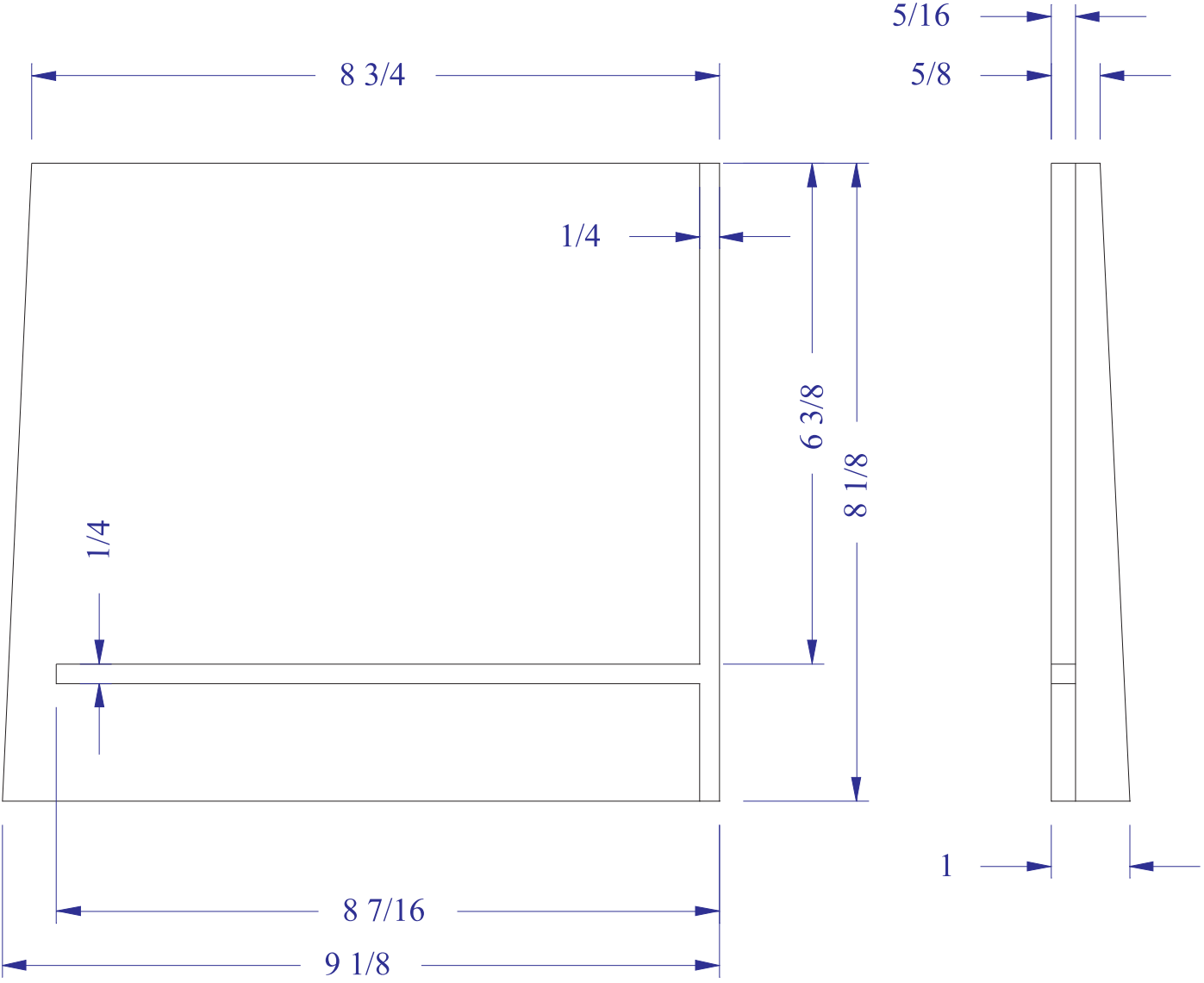
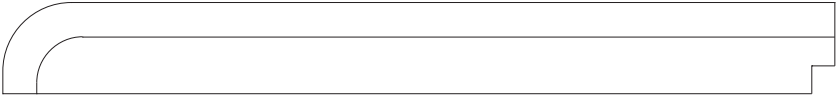


Purchased Items:

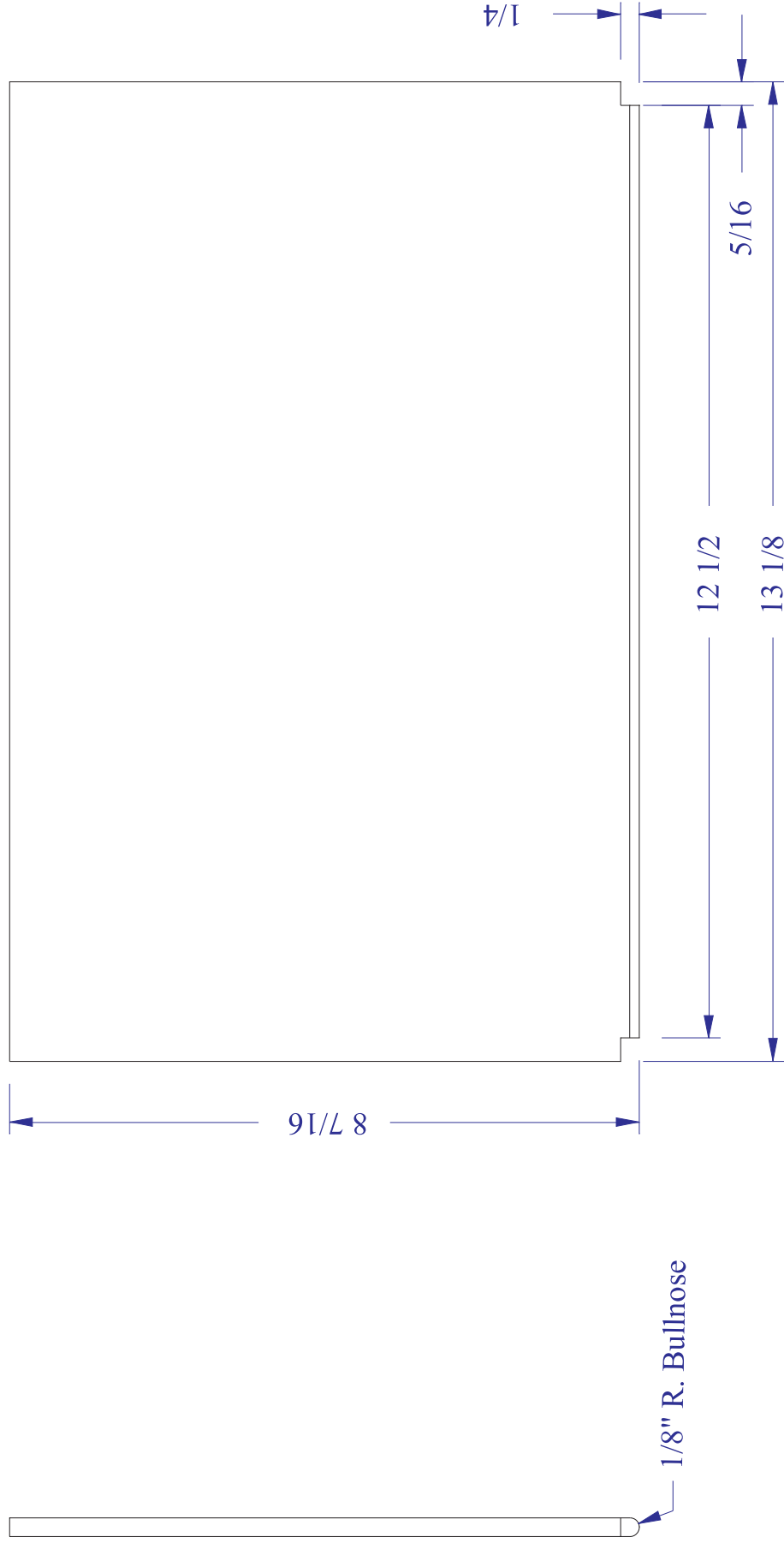
- 10 MM barrel hinges - pair - Rockler P/N 28555
- (3) Pair mini drawer slides - Rockler P/N 30804



(2) Legs - Cherry



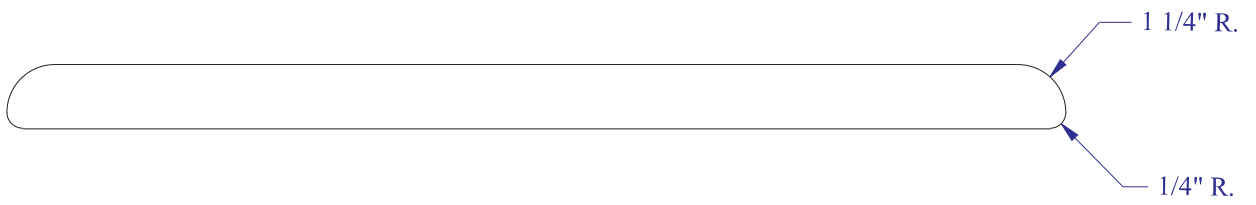
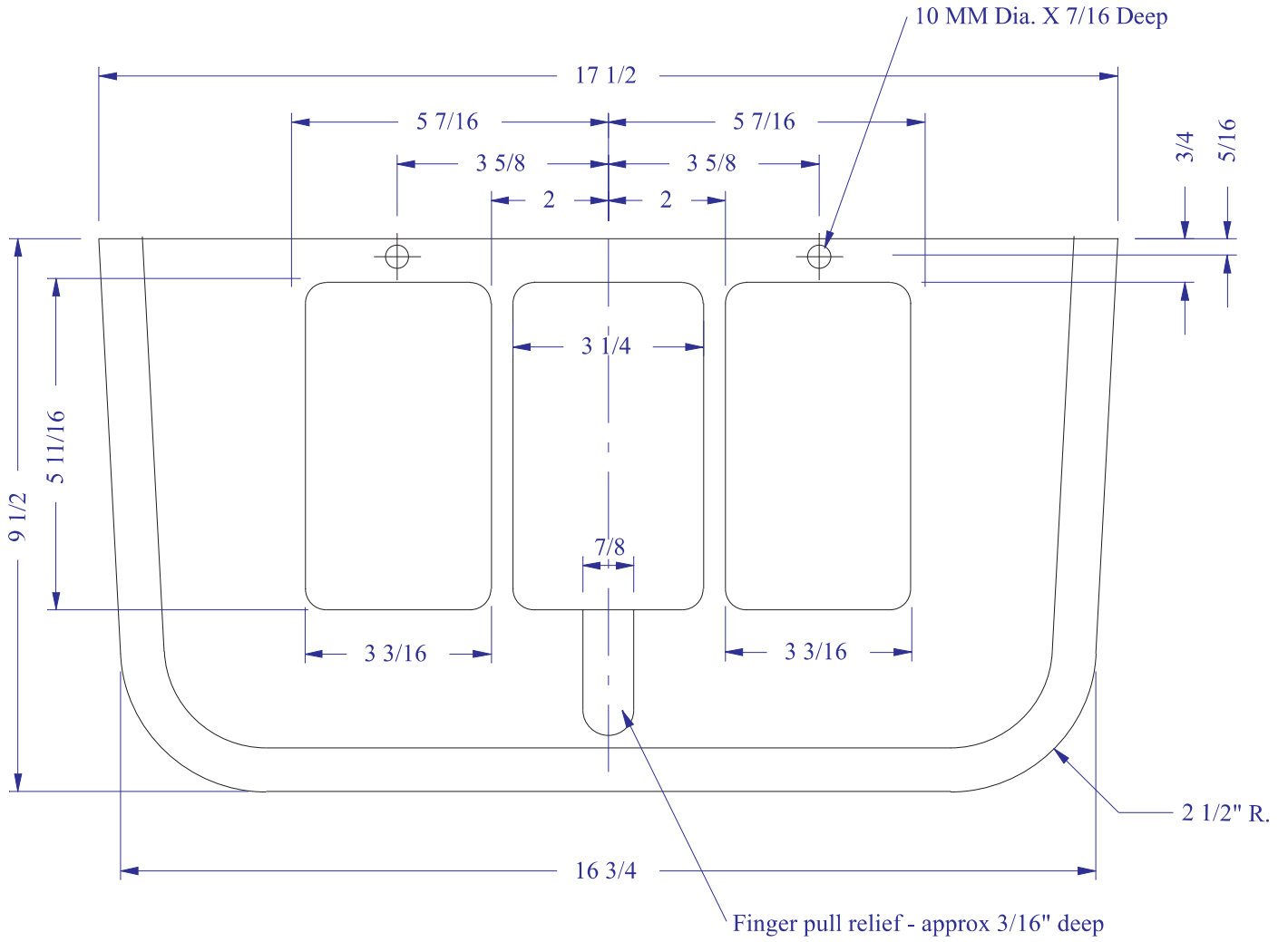
Shelf - 1/4" Cherry



Back Panel - 1/4" Cherry



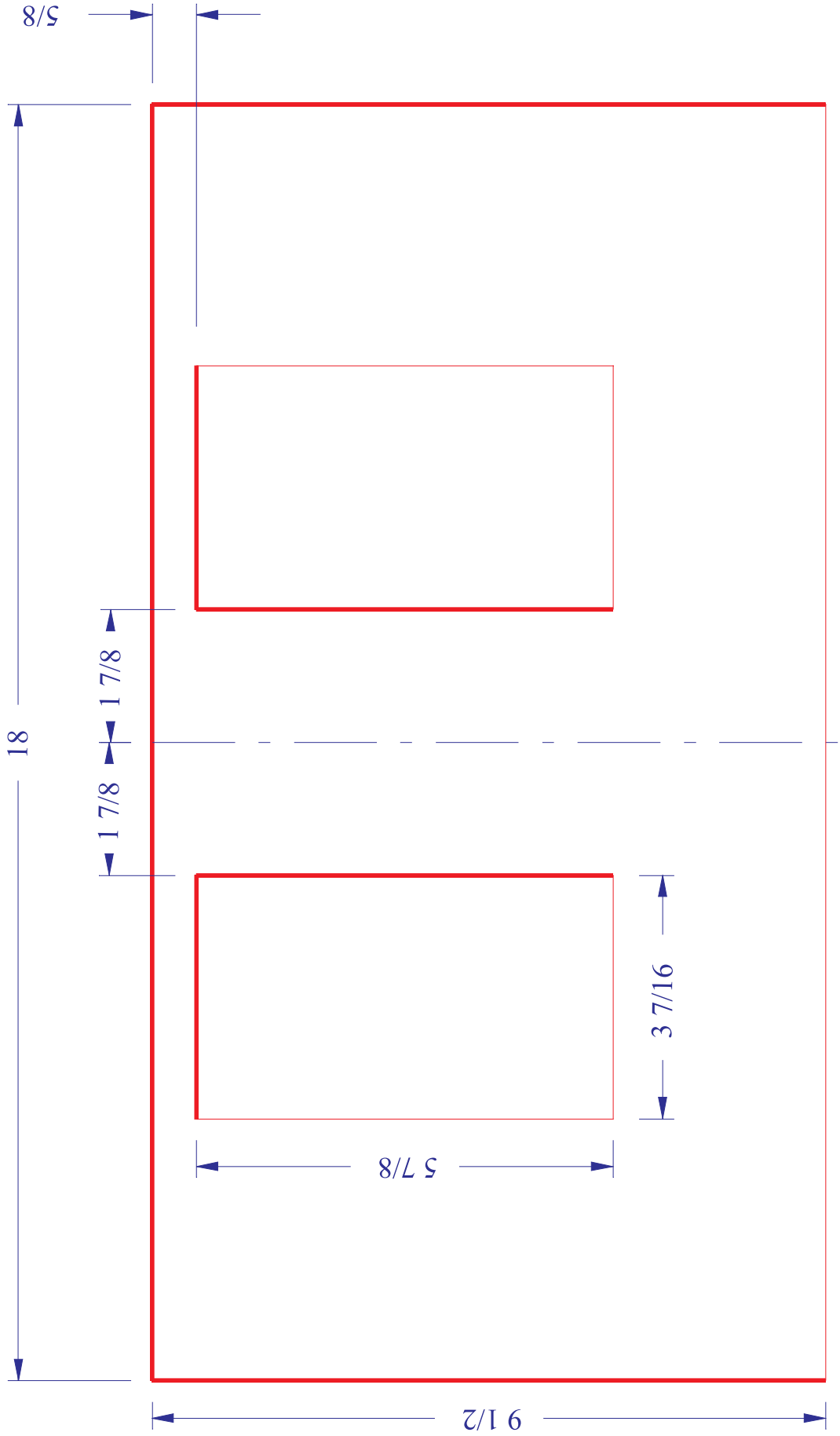
Top - 1 1/4" Cherry



TOP TEMPLATE (1/2" MDF)

FOR CUTTING RECESS'

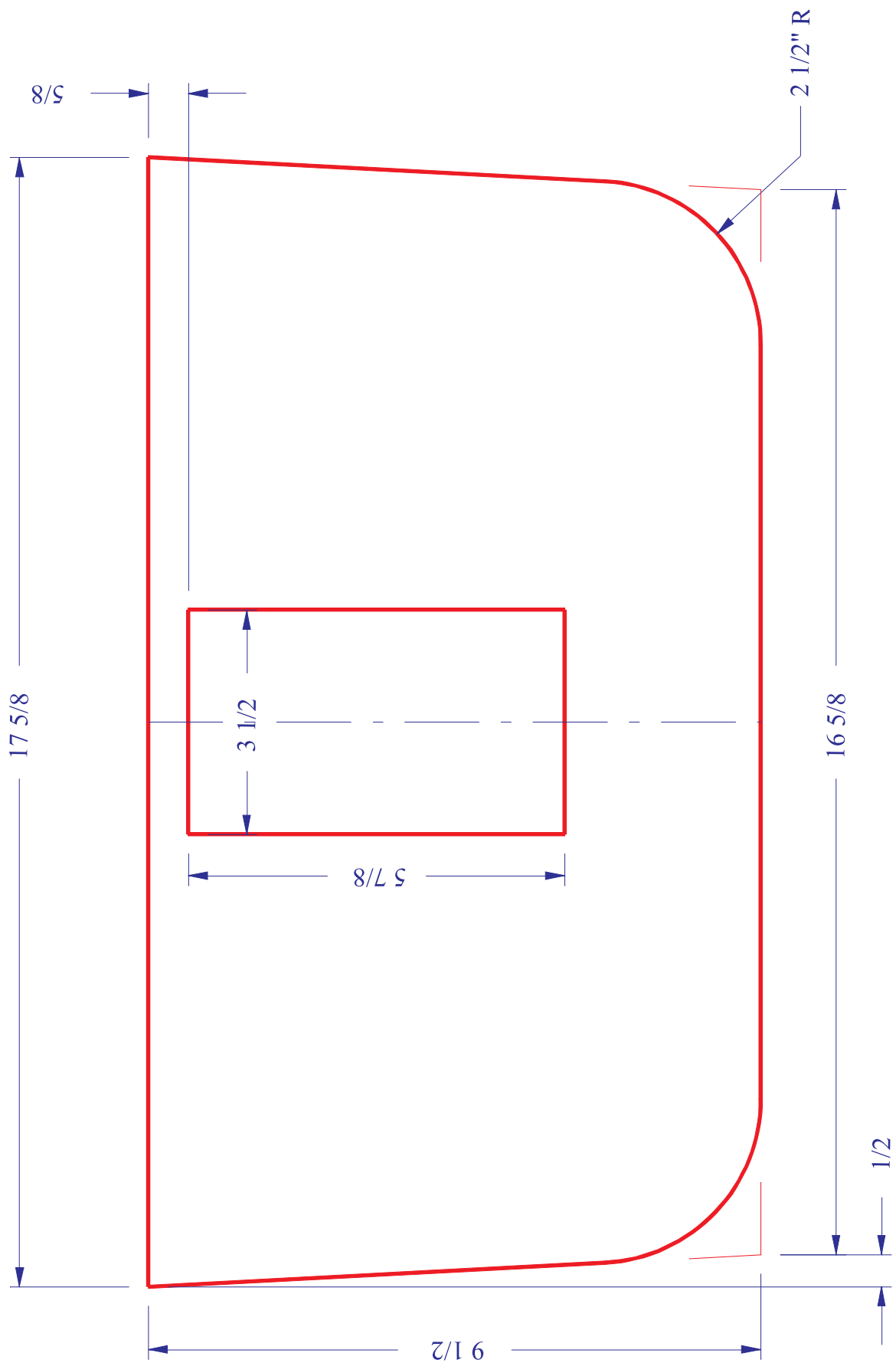
Use with 1" guide collar & Whiteside router bit #1374



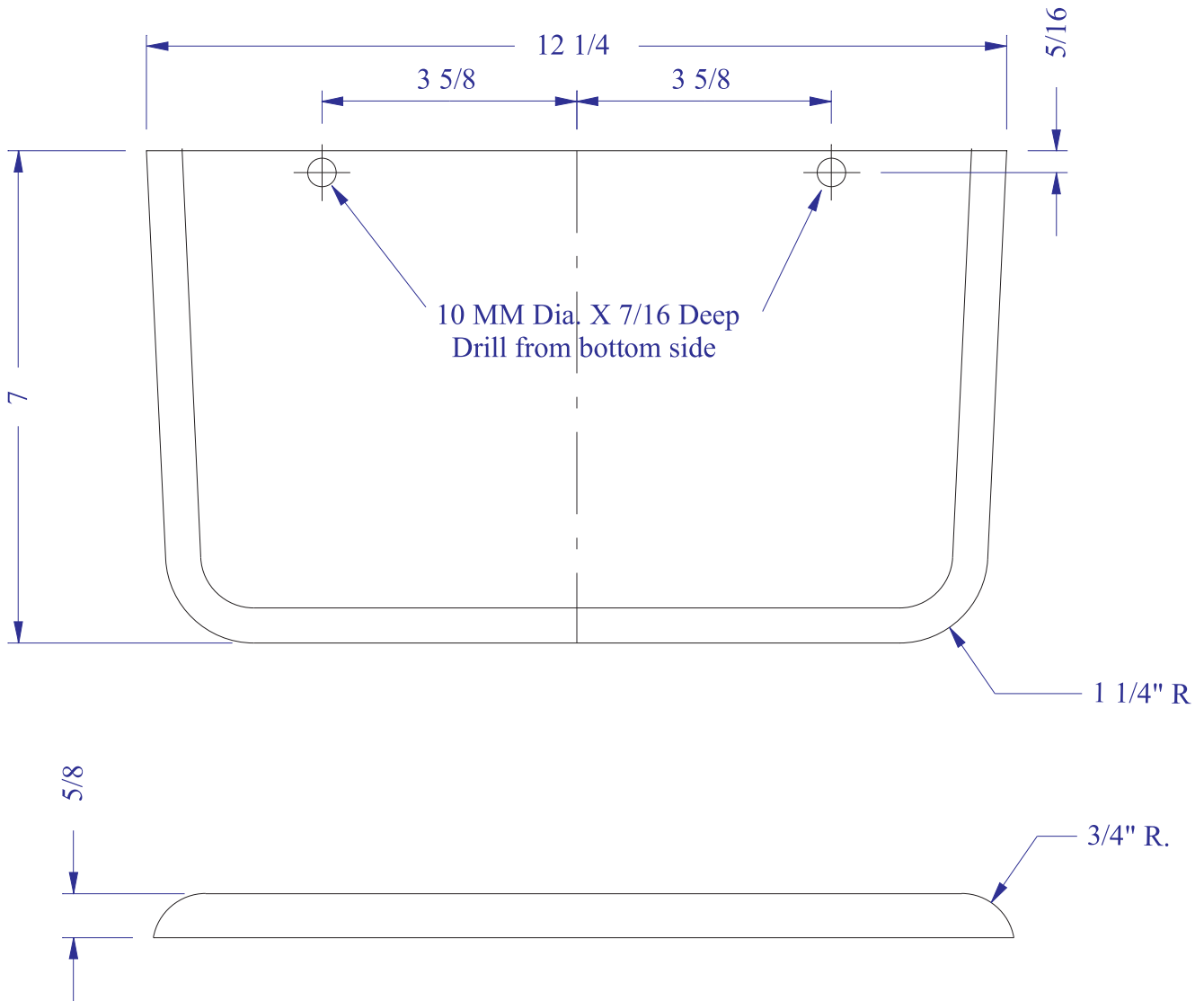
TOP TEMPLATE (1/2" MDF)

Use with a 1" radius round over bit for outside contour

Use with 1" guide collar & Whiteside router bit #1374 to cut the pocket

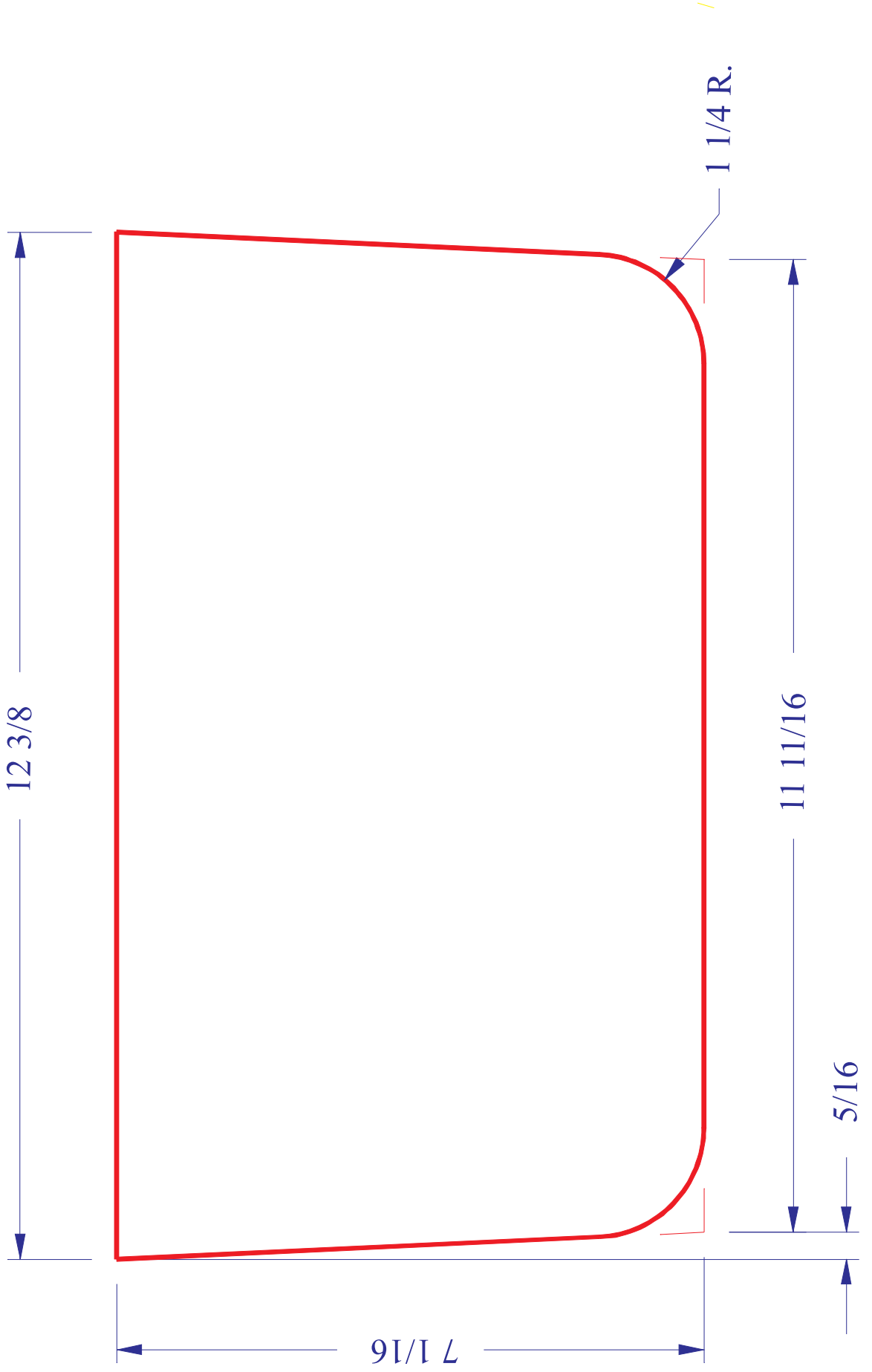


Lid - 5/8" Maple

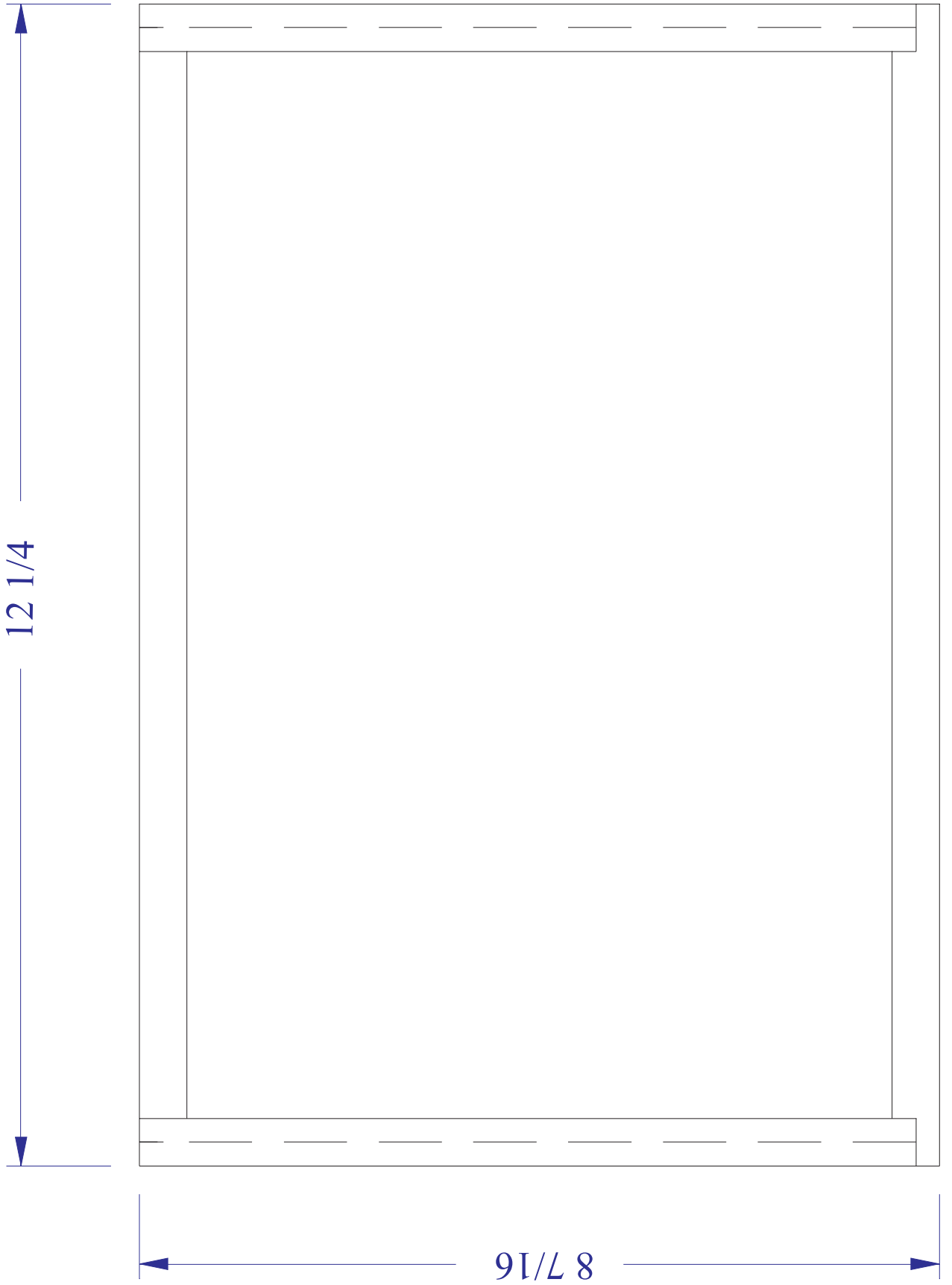


LID TEMPLATE (1/2" MDF)

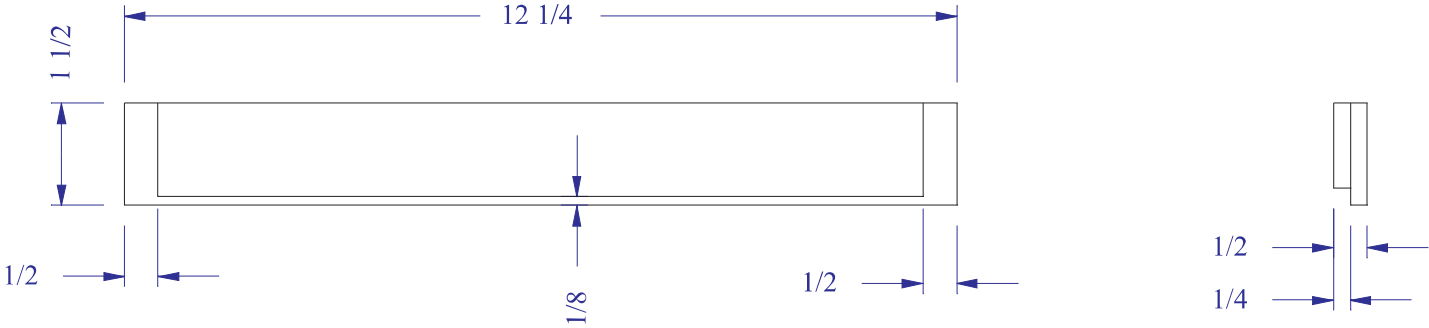
Use with a 3/4" radius round over bit



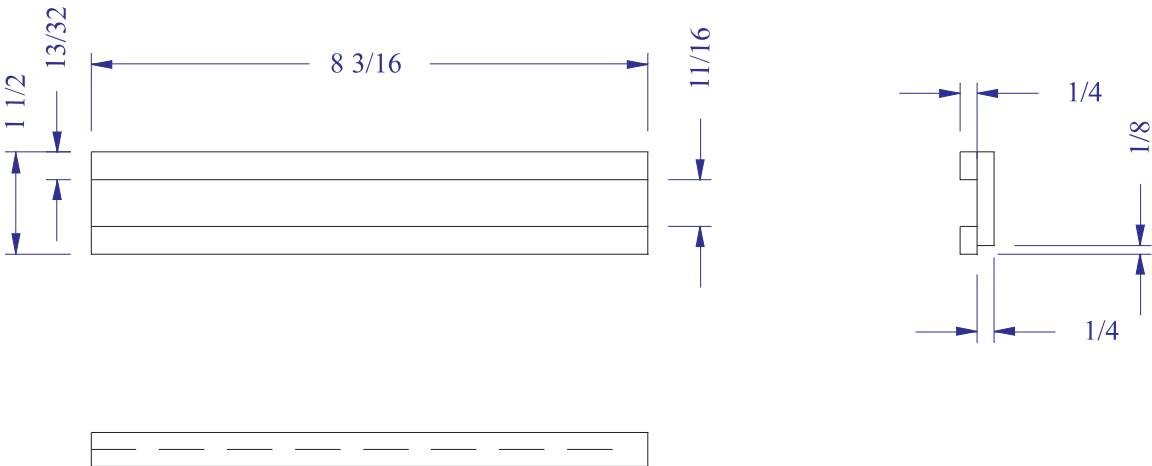
(3) Drawers - Maple



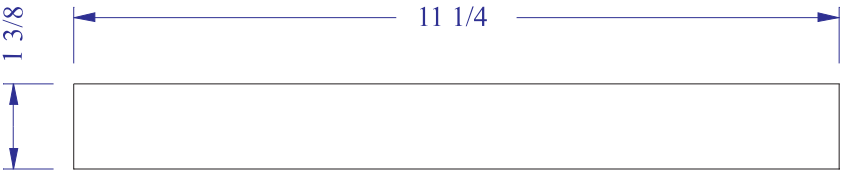
(3) Drawer Fronts - 1/2" Maple



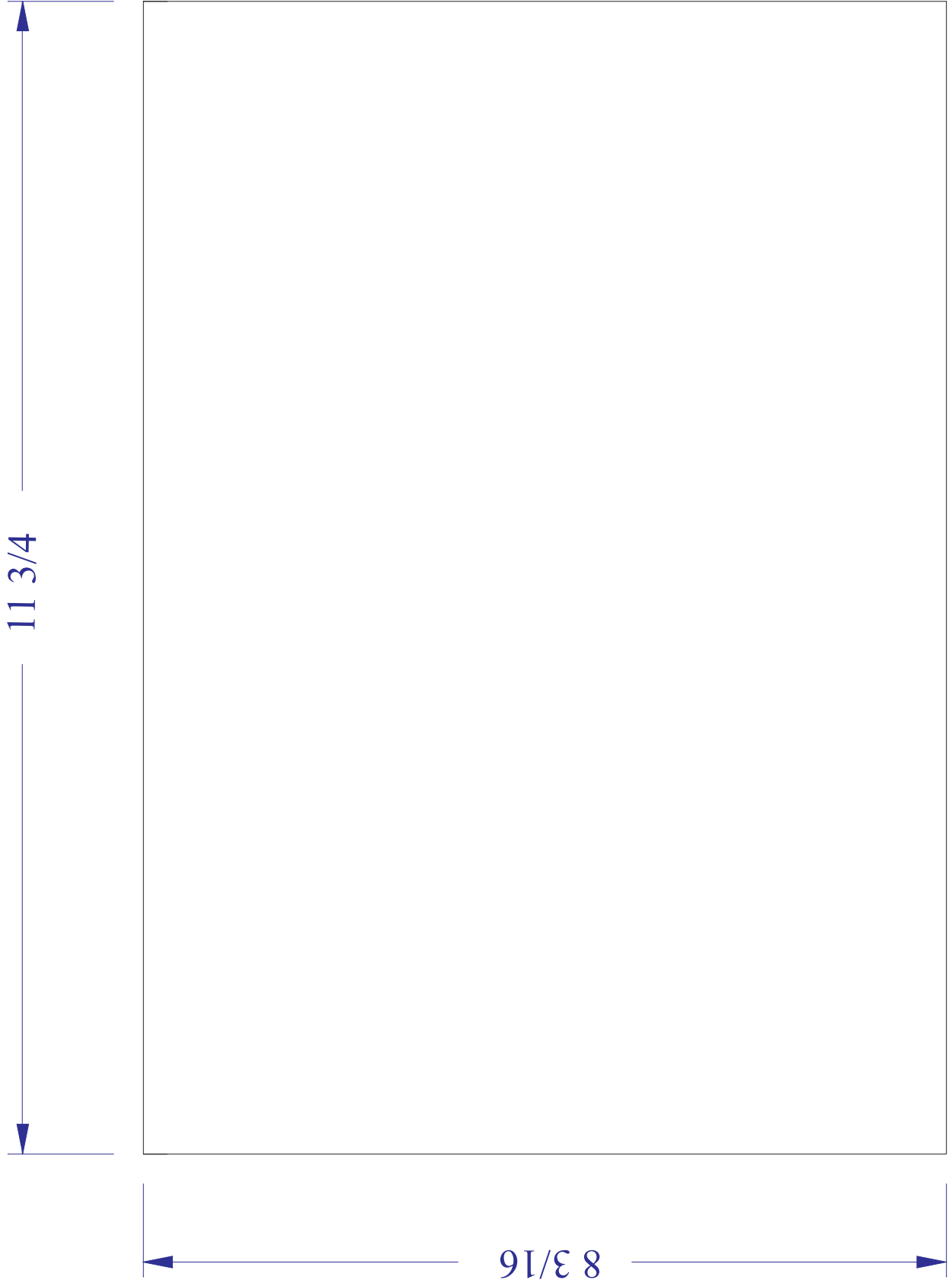
(6) Drawer Sides - 1/2" Maple



(3) Drawer Backs - 1/2" Maple



(3) Drawer Bottoms - 1/8" Birch Plywood



(3) Drawer pulls - Paduk

