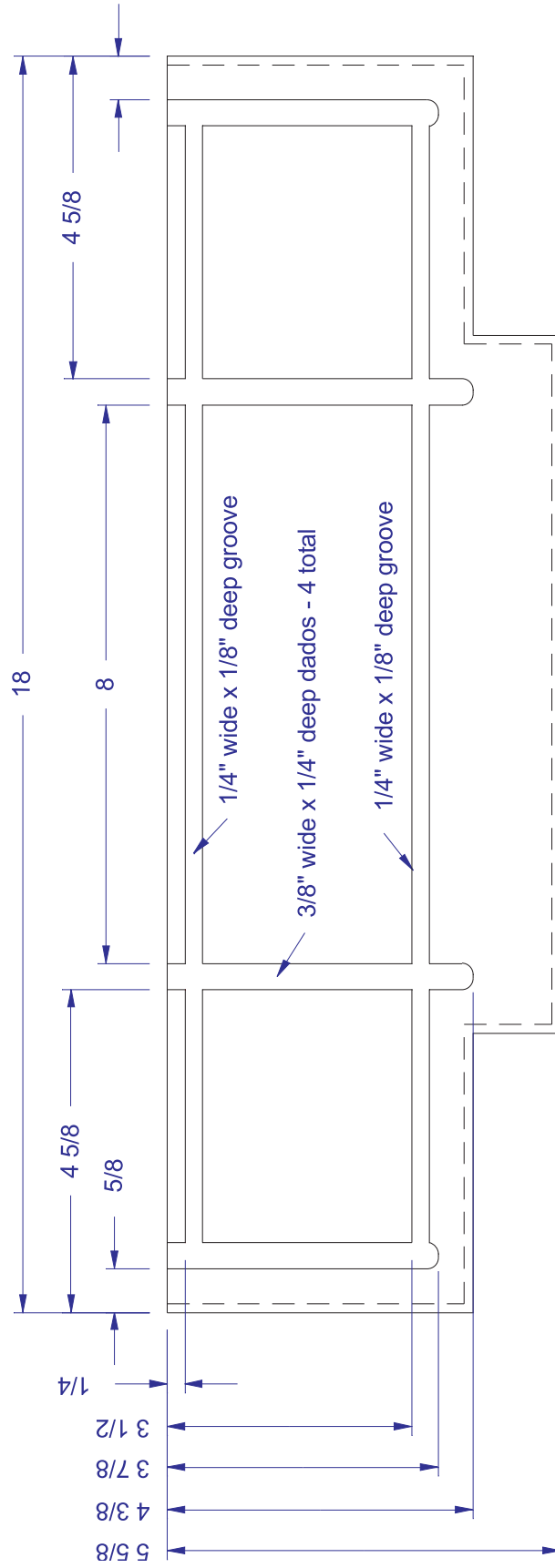
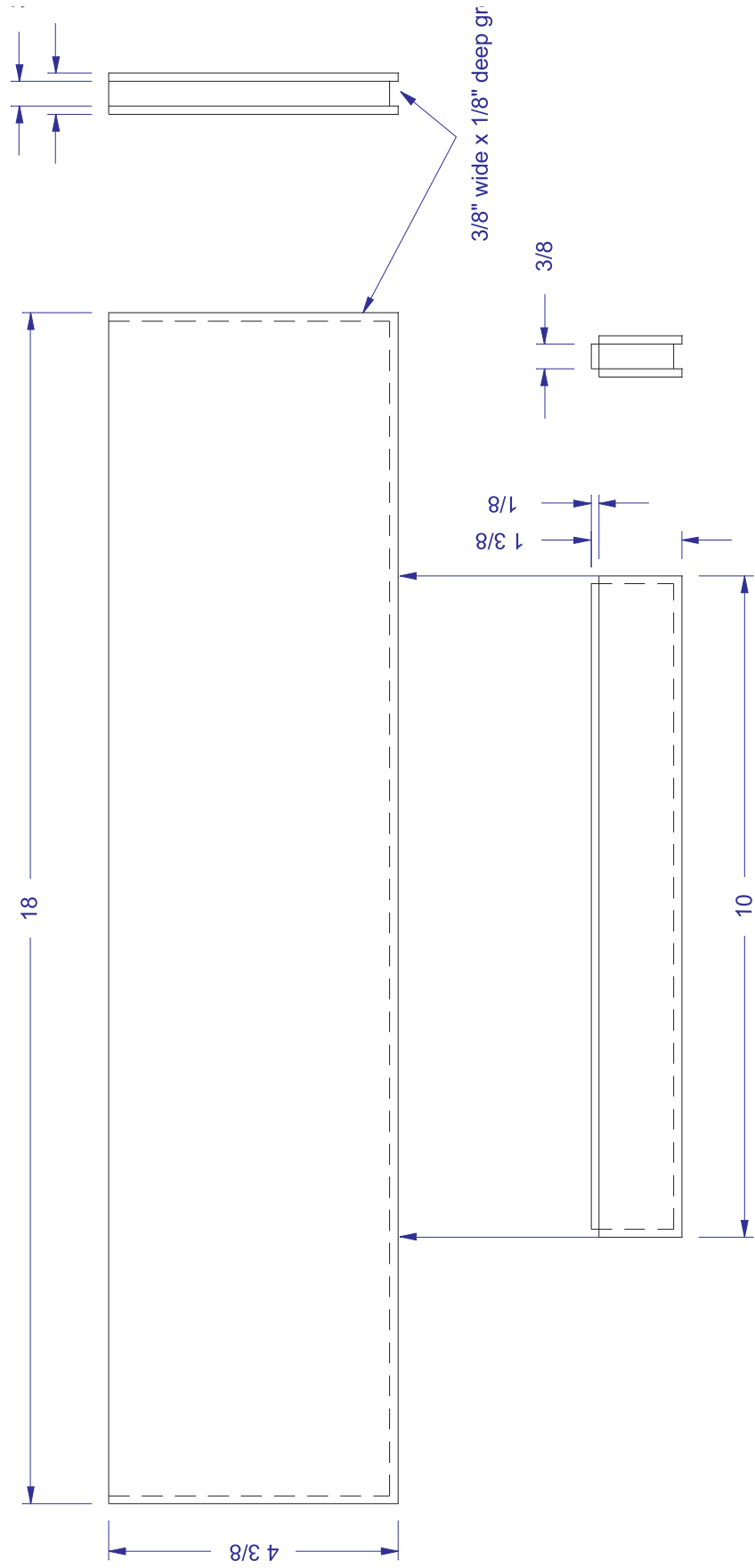


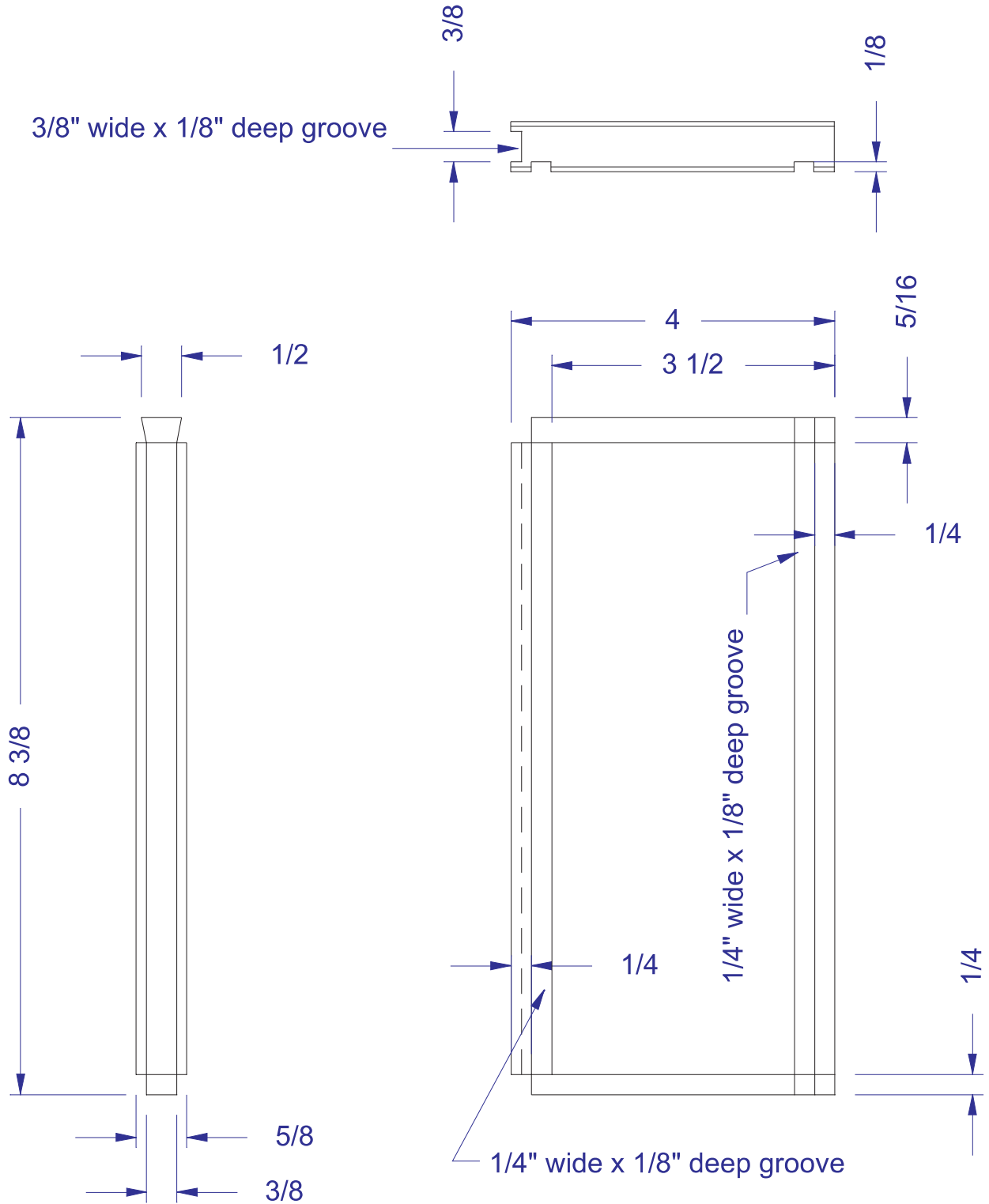
BOTTOM



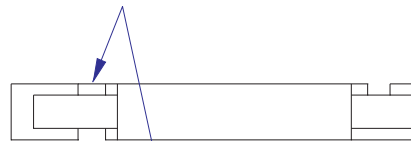
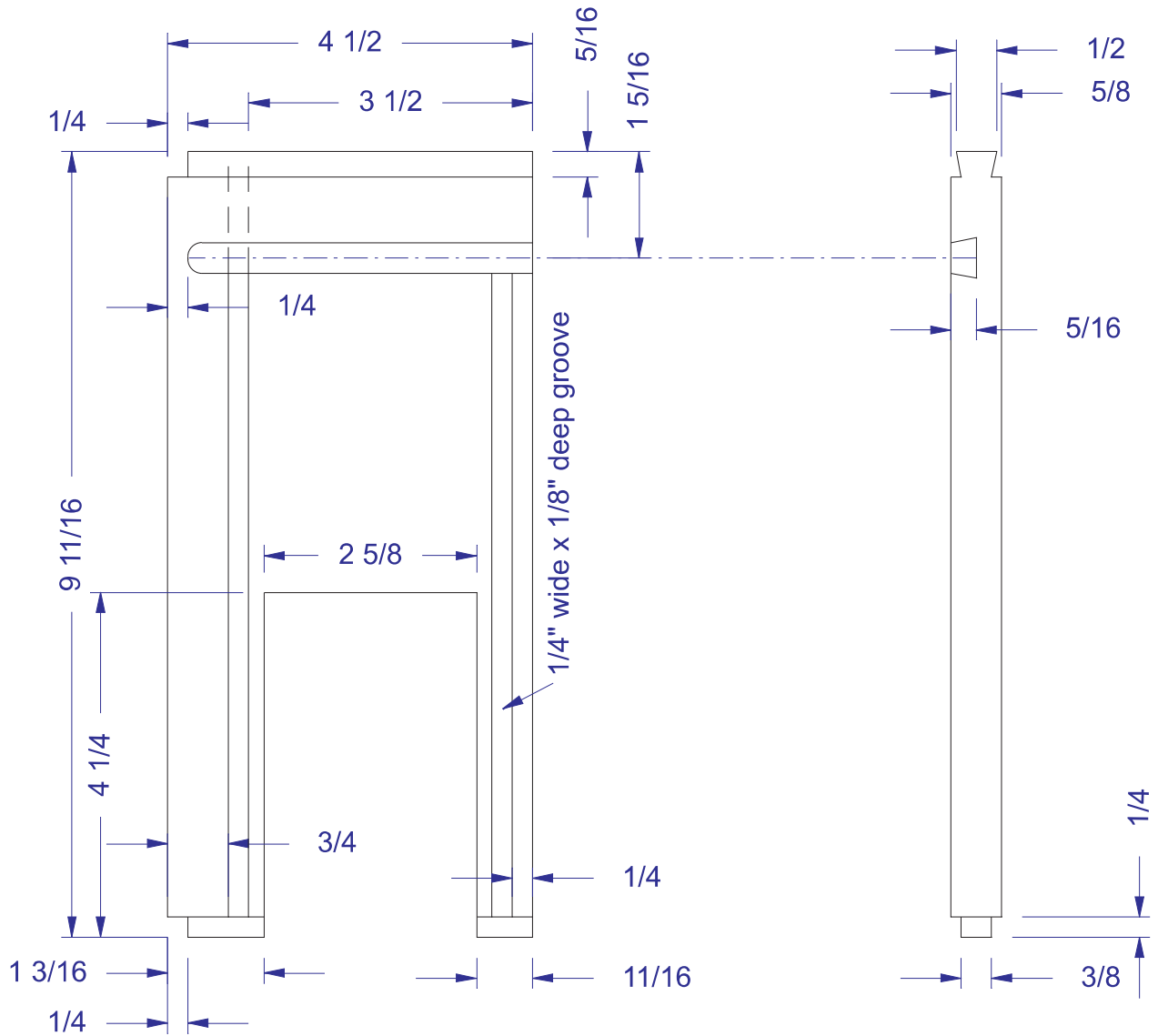
BOTTOM



(2) CASE SIDES

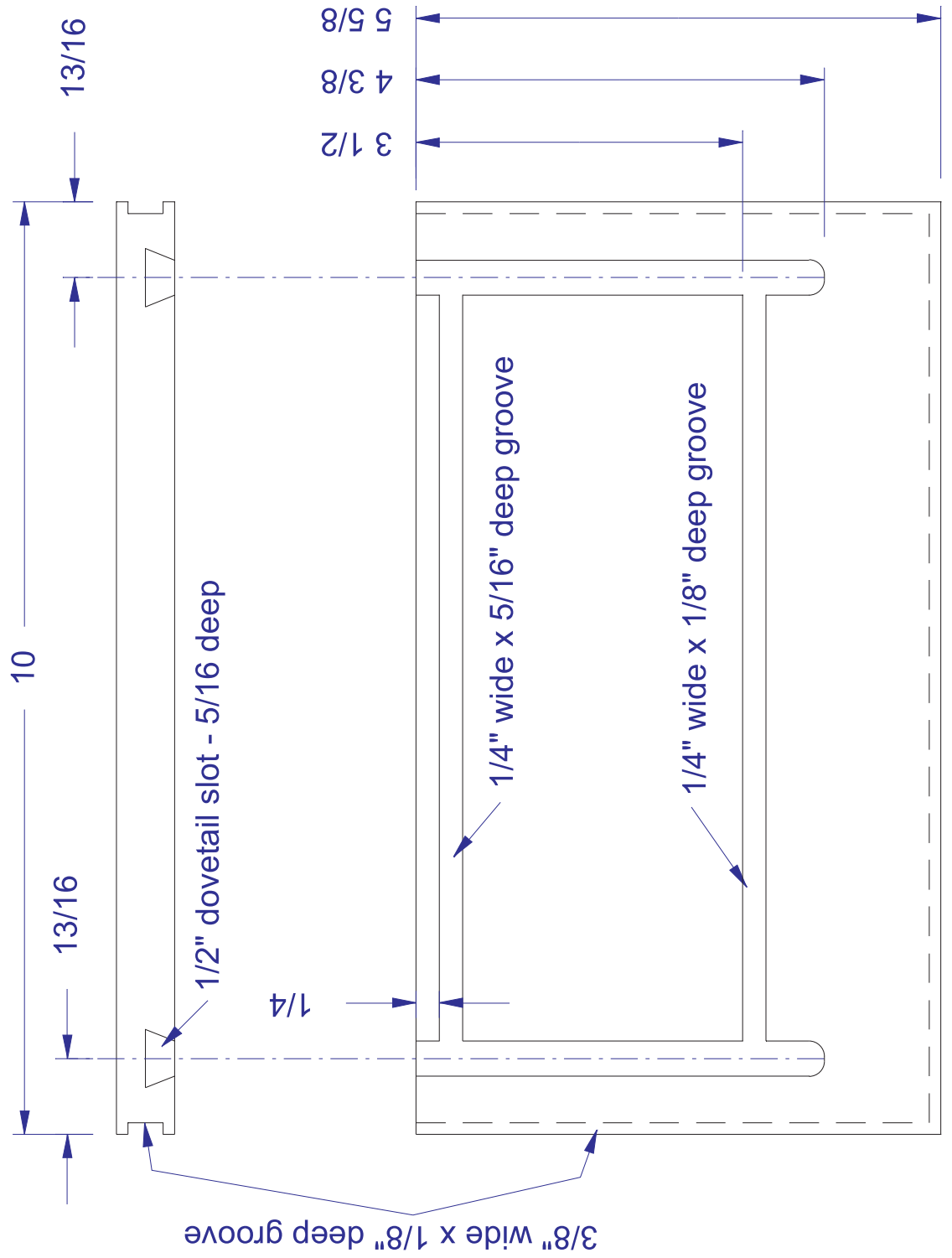


(2) INTERNAL DIVIDERS

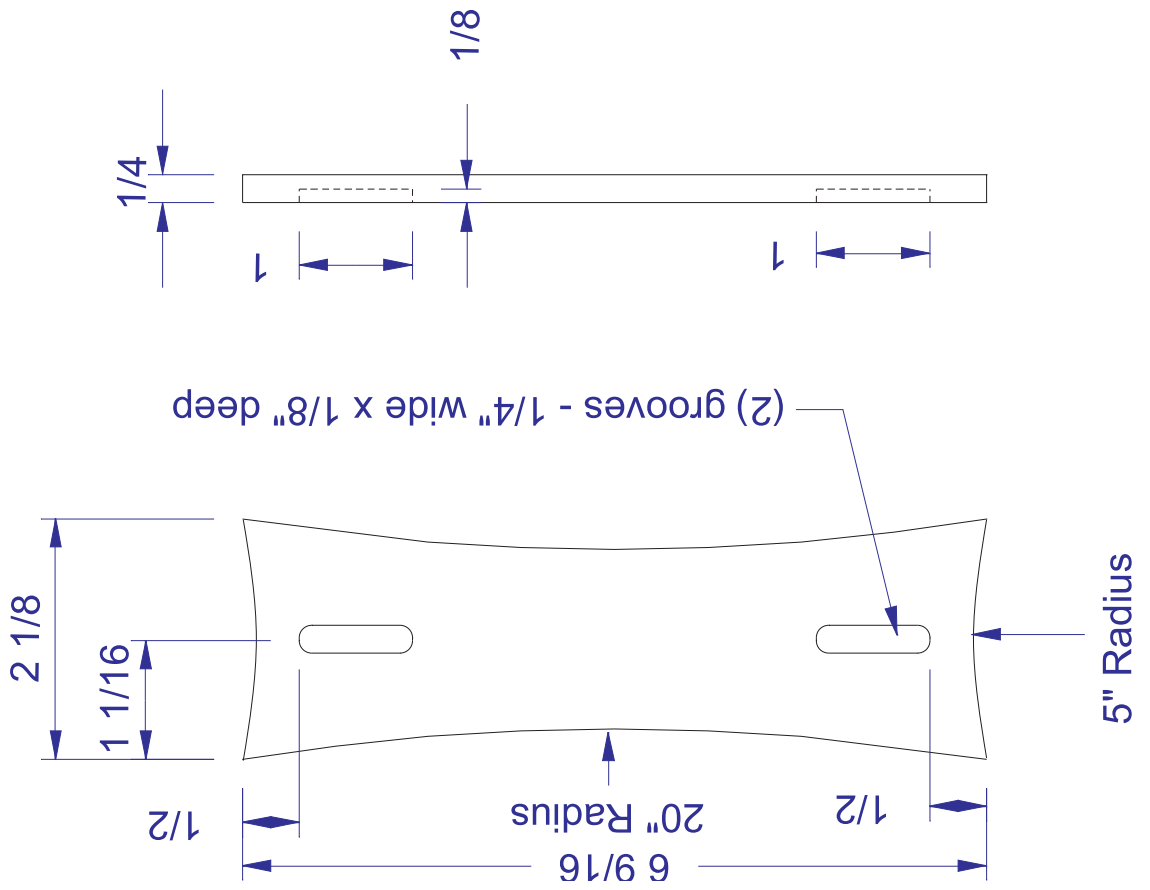


1/4" wide x 1/8" deep groove
 End at dovetail slot on face shown
 Full length on opposite face

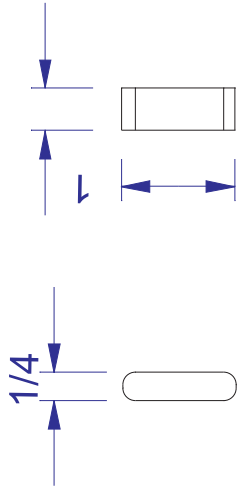
(1) CENTER TOP



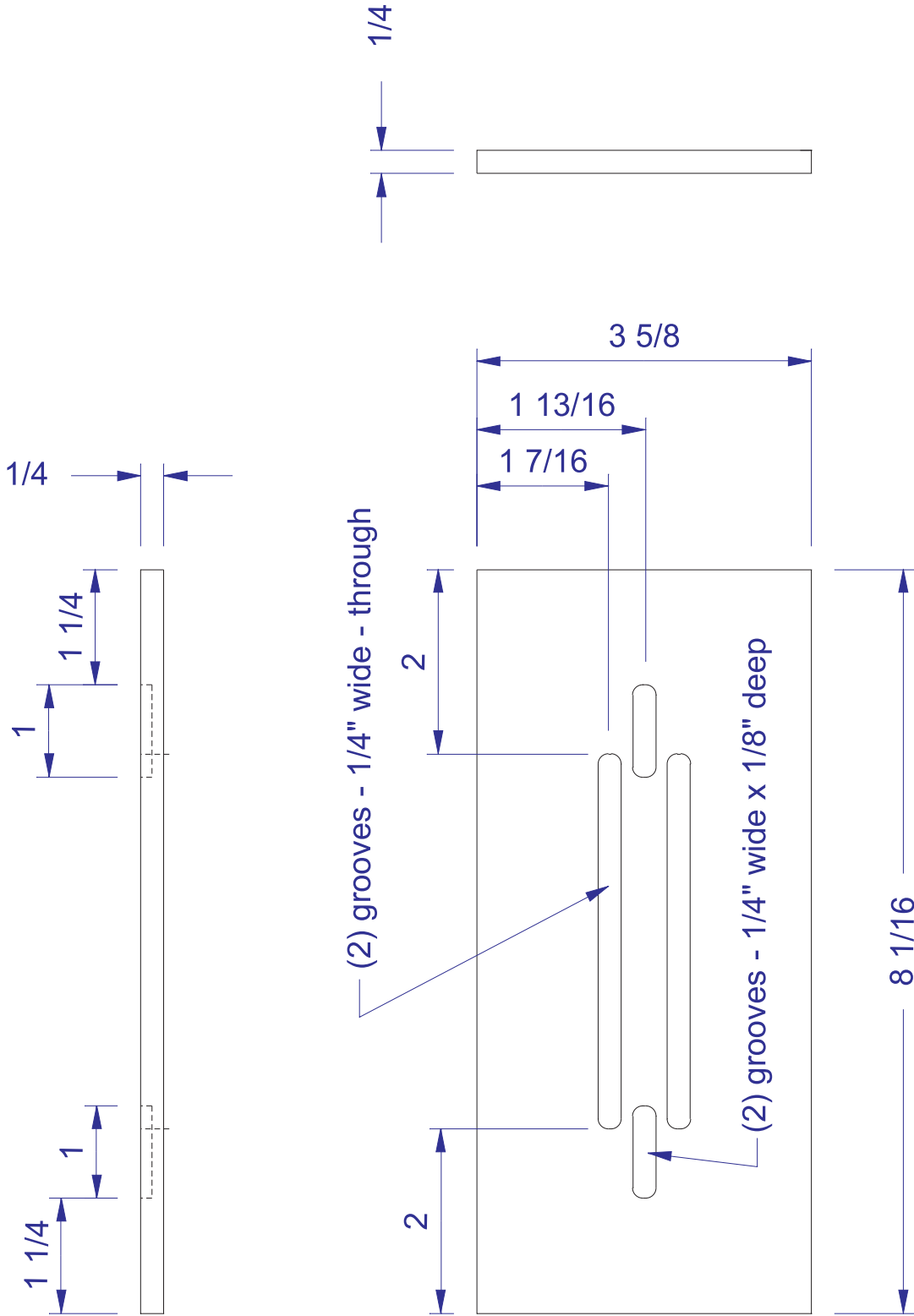
(2) SOUND PORT COVERS



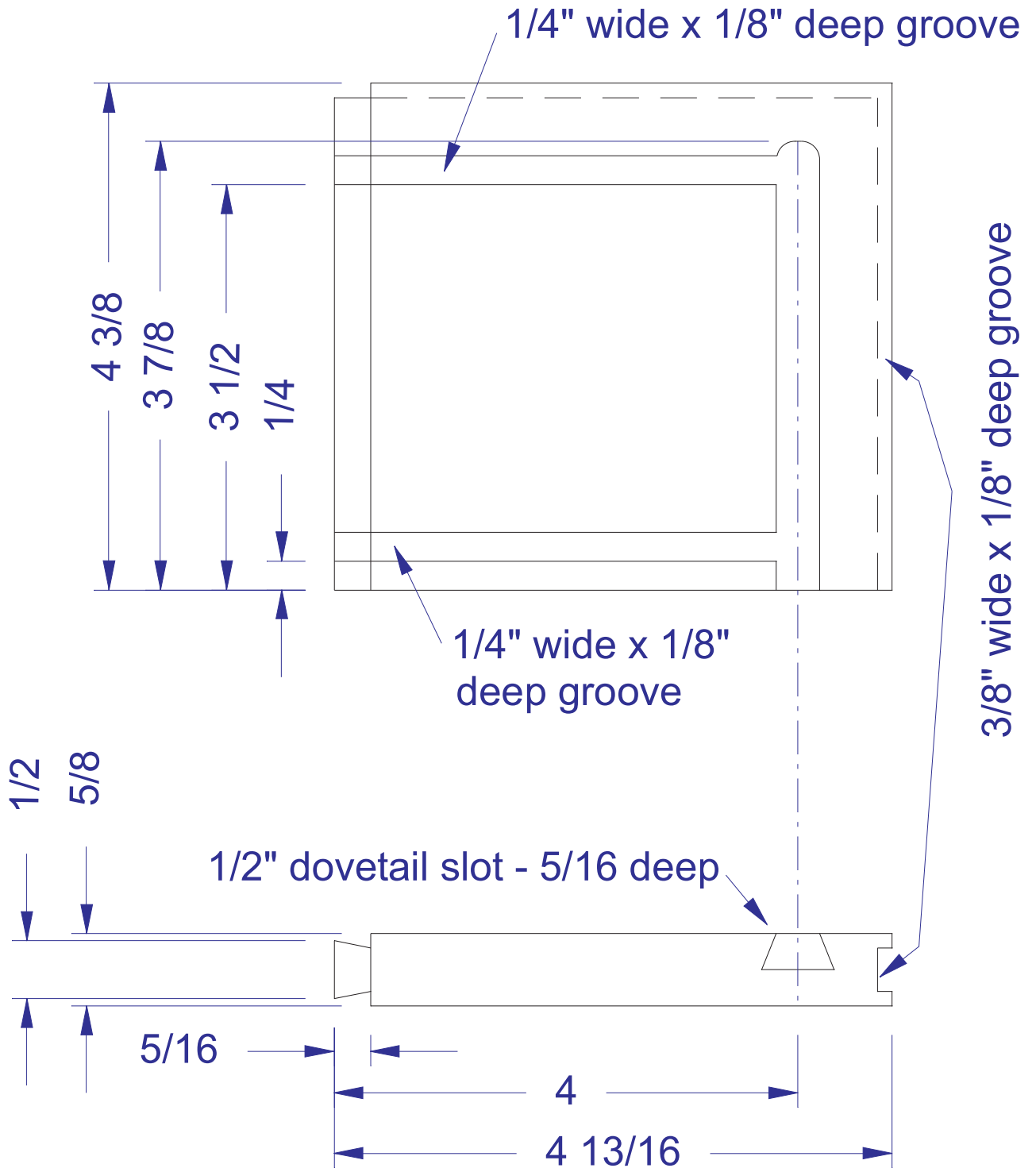
(4) SOUND PORT COVER MOUNTING TENONS



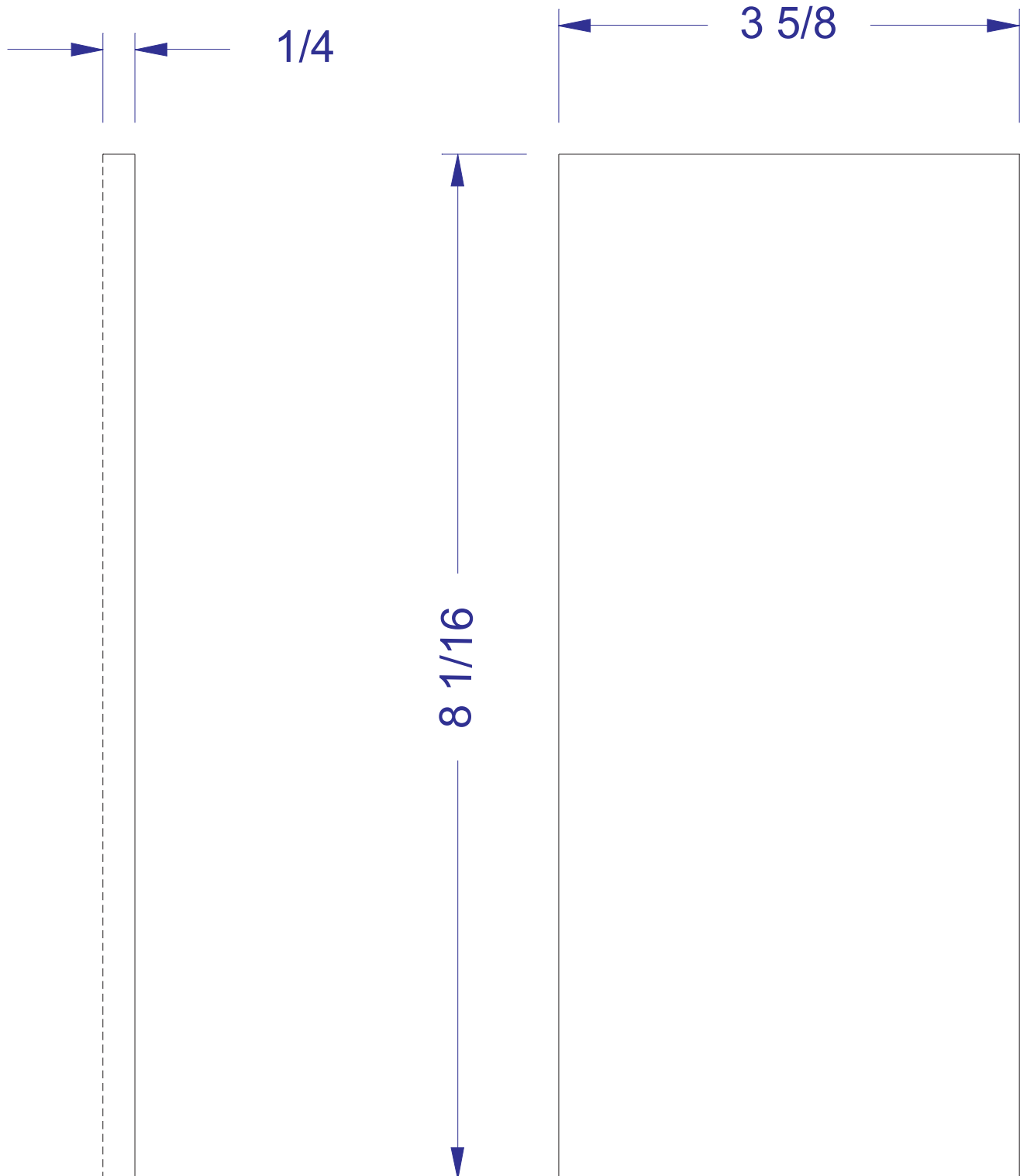
(2) SIDE FRONT PANELS
SOUND PORTS



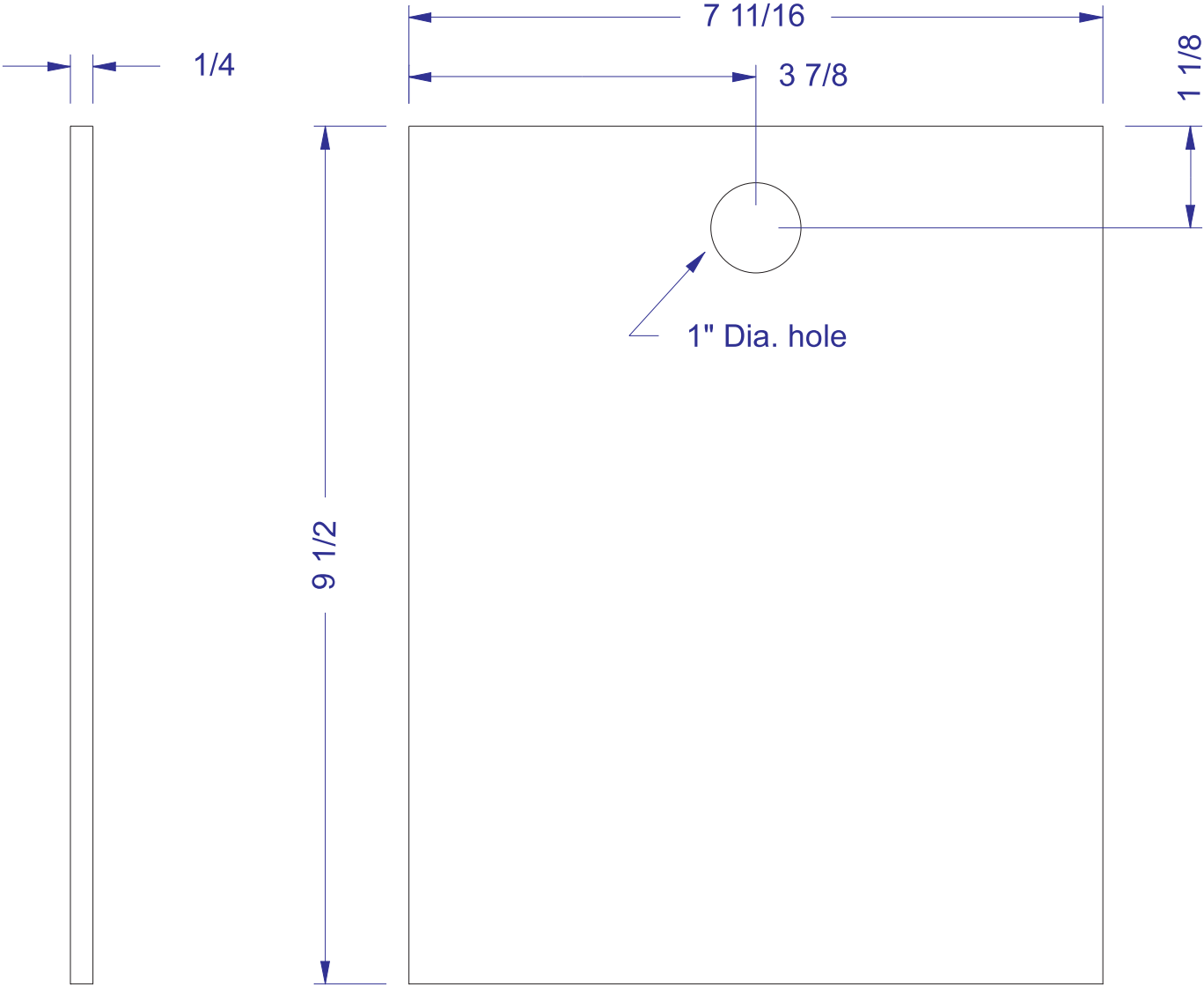
(2) SIDE TOPS



(2) SIDE-BACK PANELS



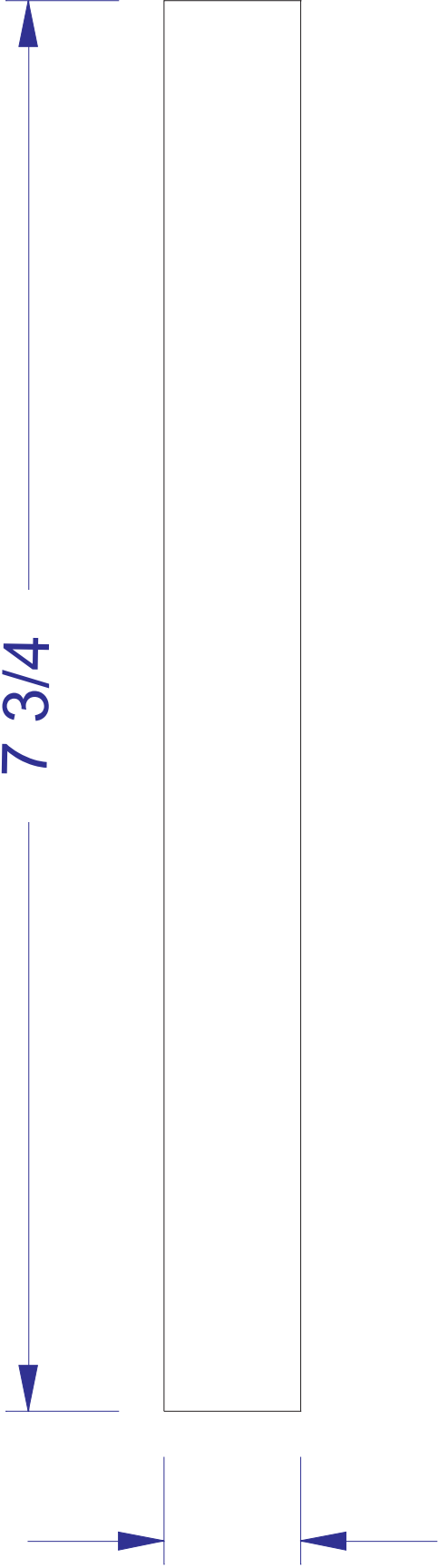
(1) CENTER-BACK PANEL



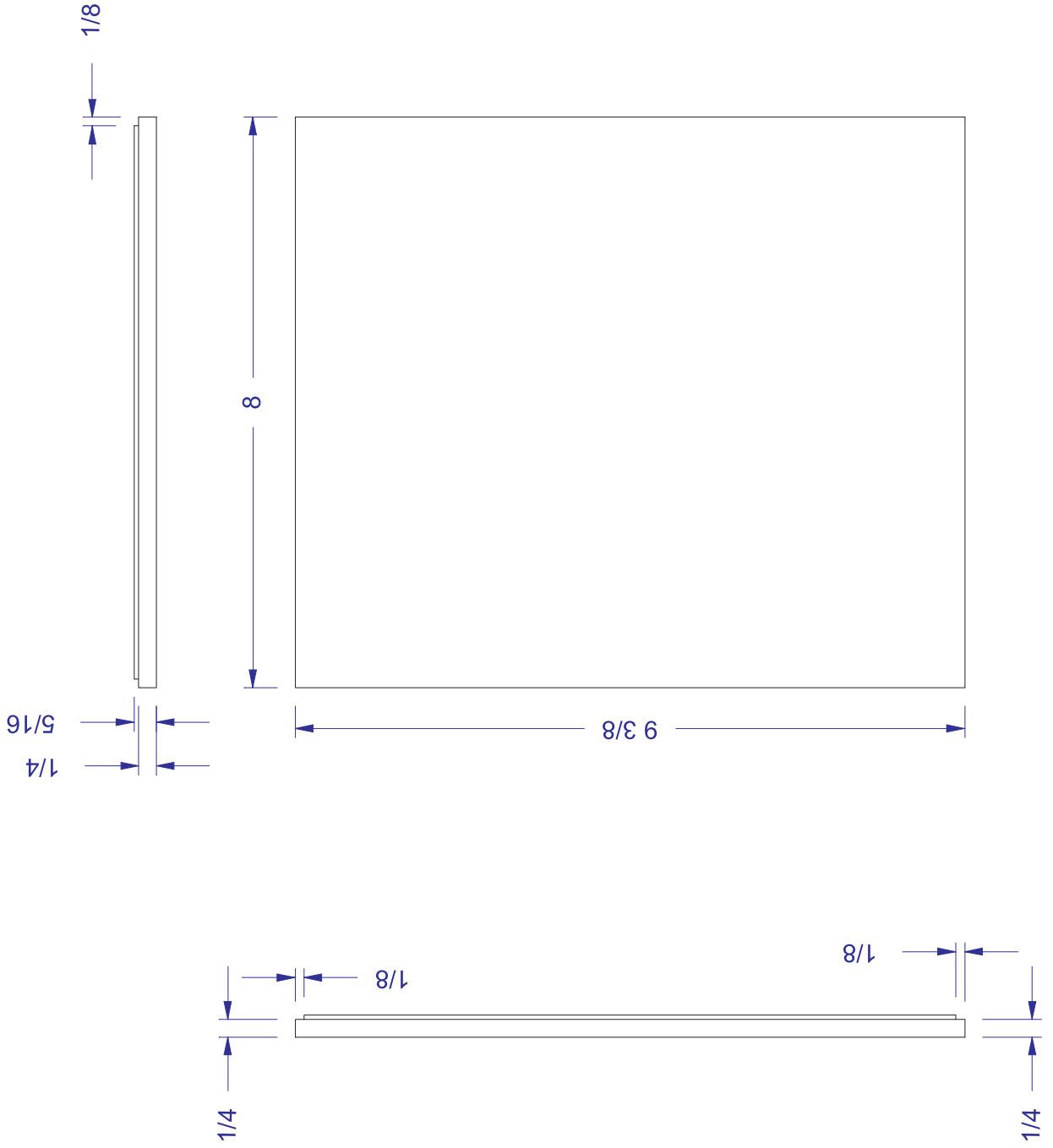
(2) Dial Retainers

1/8" Maple

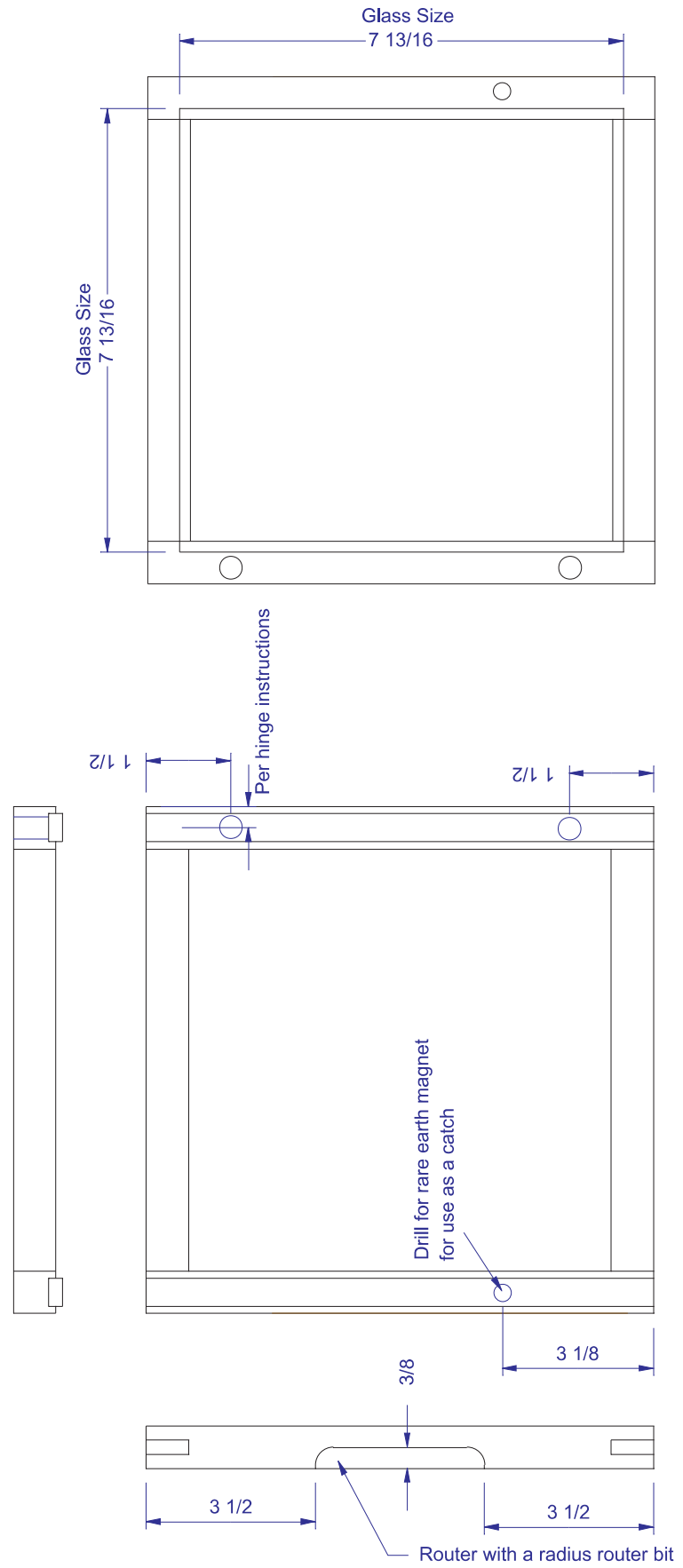
3/4

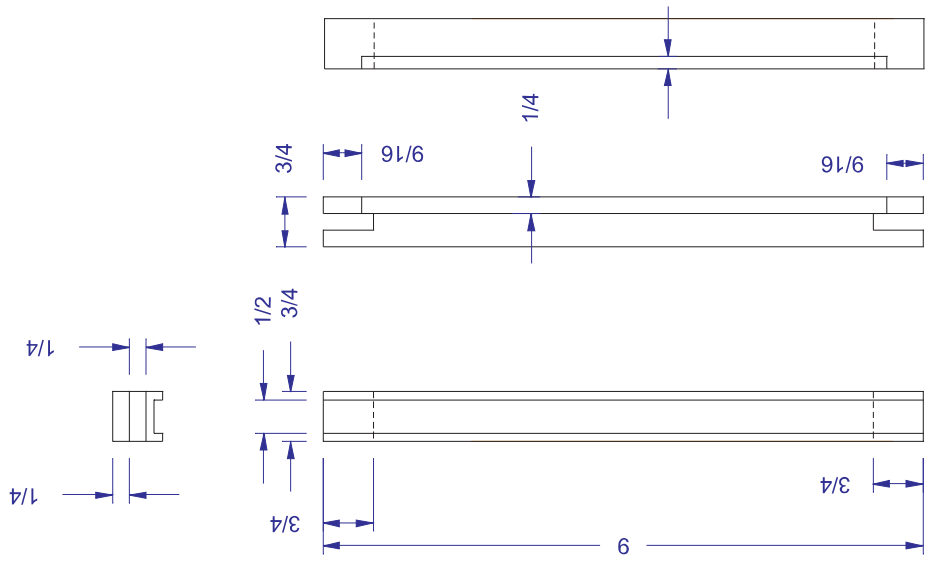


(1) CLOCK DIAL BOARD

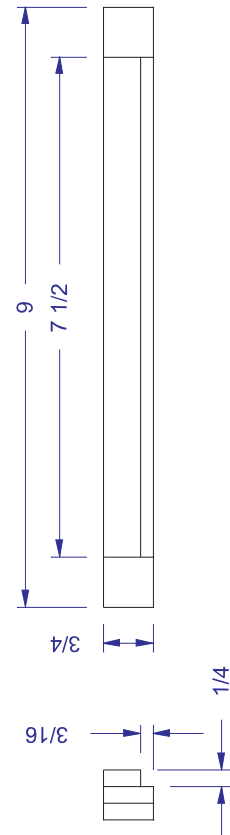
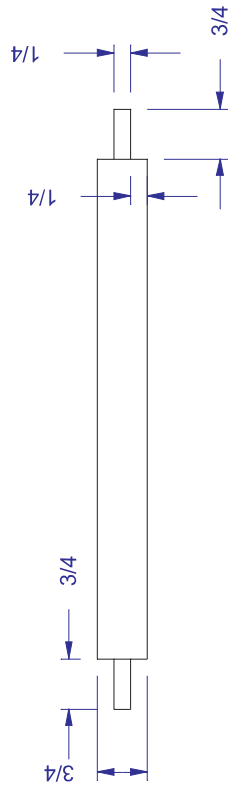


Door Assembly





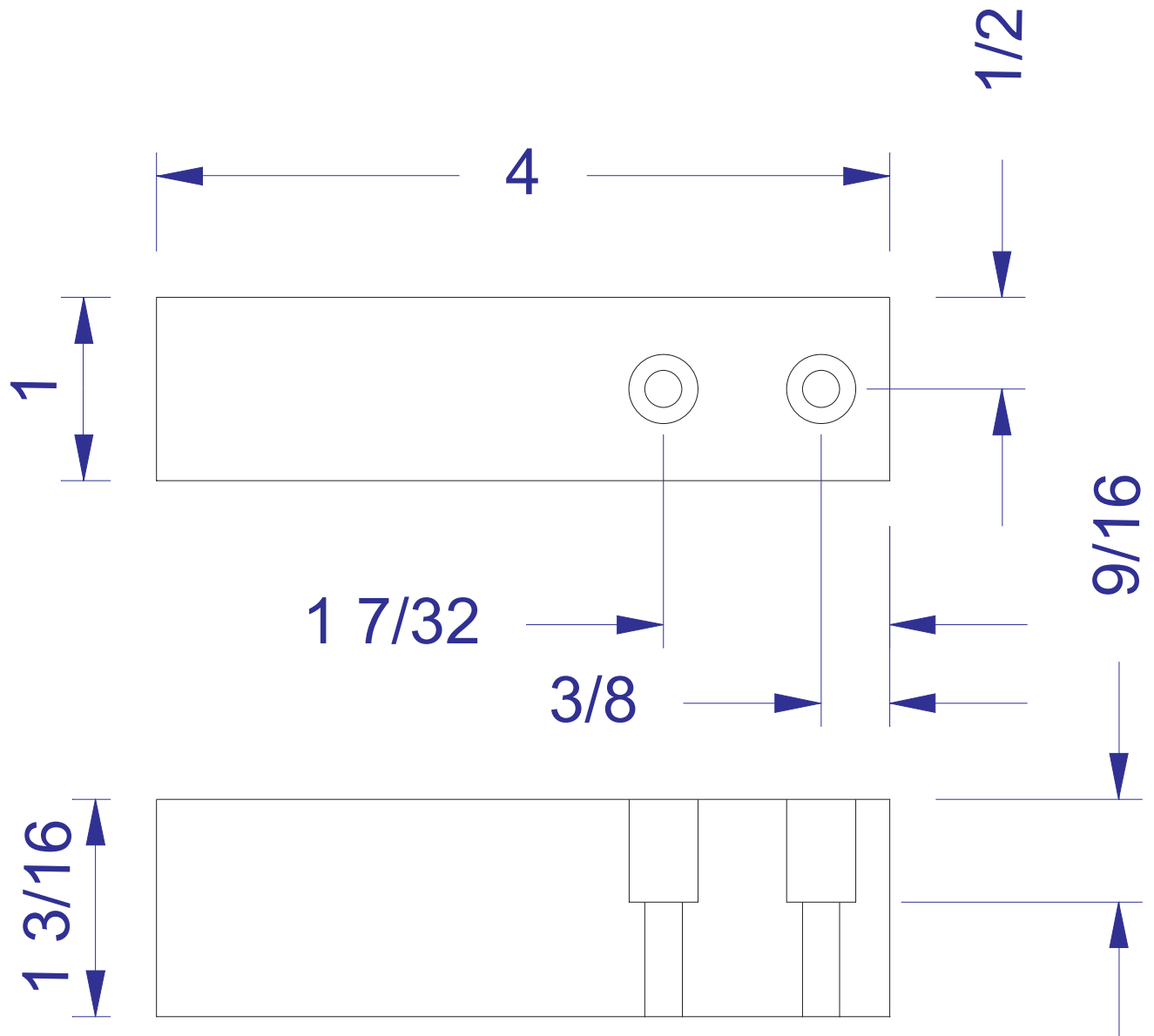
Top & Bottom Rails



Chime Riser Block

Fasten to clock case with #8 wood screw

Dimensions shown are approximate



Drill $\frac{3}{8}$ dia - $\frac{9}{16}$ deep

Drill $\frac{13}{64}$ dia through