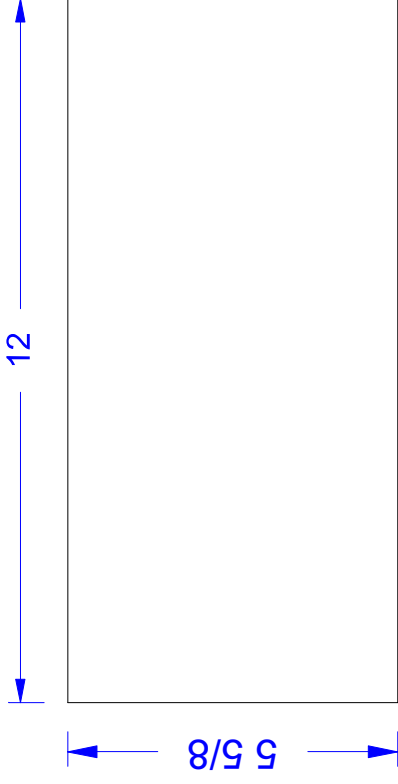
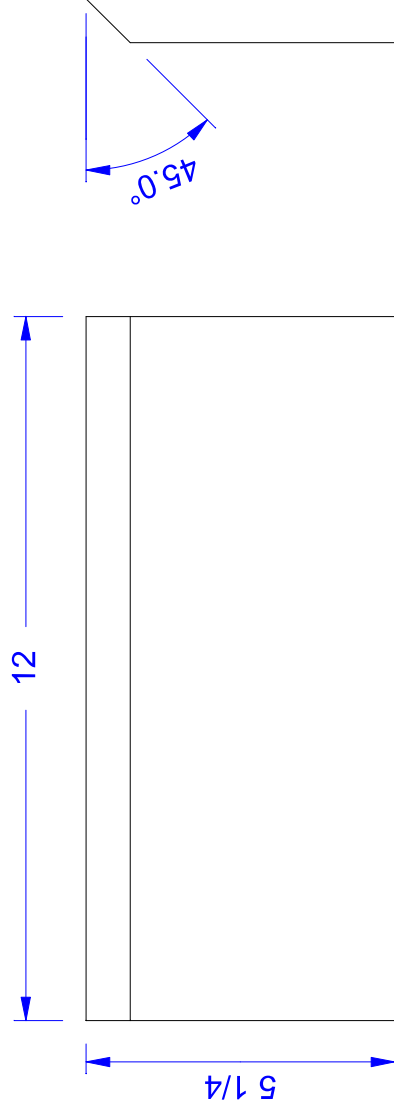


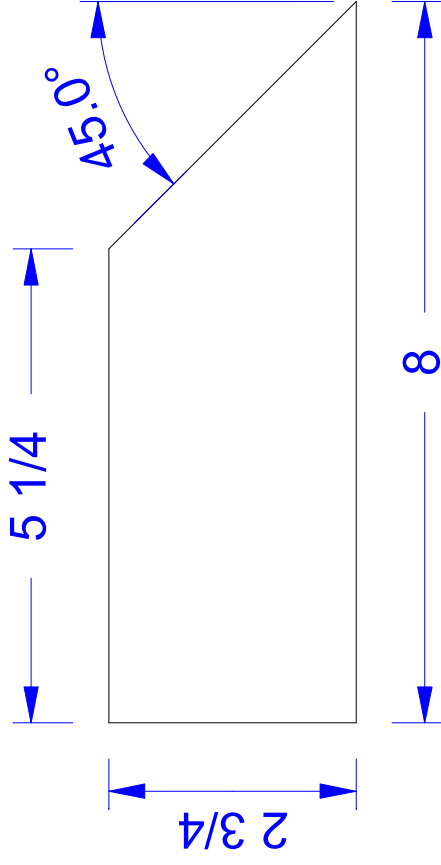
(1) A - Tool Rest - 3/4" Birch Plywood



(1) B - Top Plate - 3/4" Birch Plywood



(2) C - Gusset - 3/4" Birch Plywood



(1) D - Router Guide - 1/2" Hardwood

