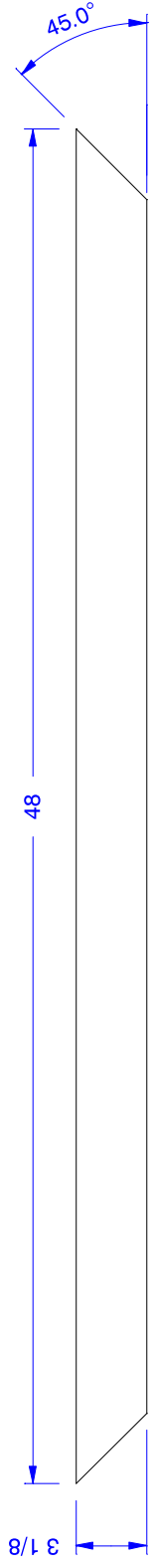
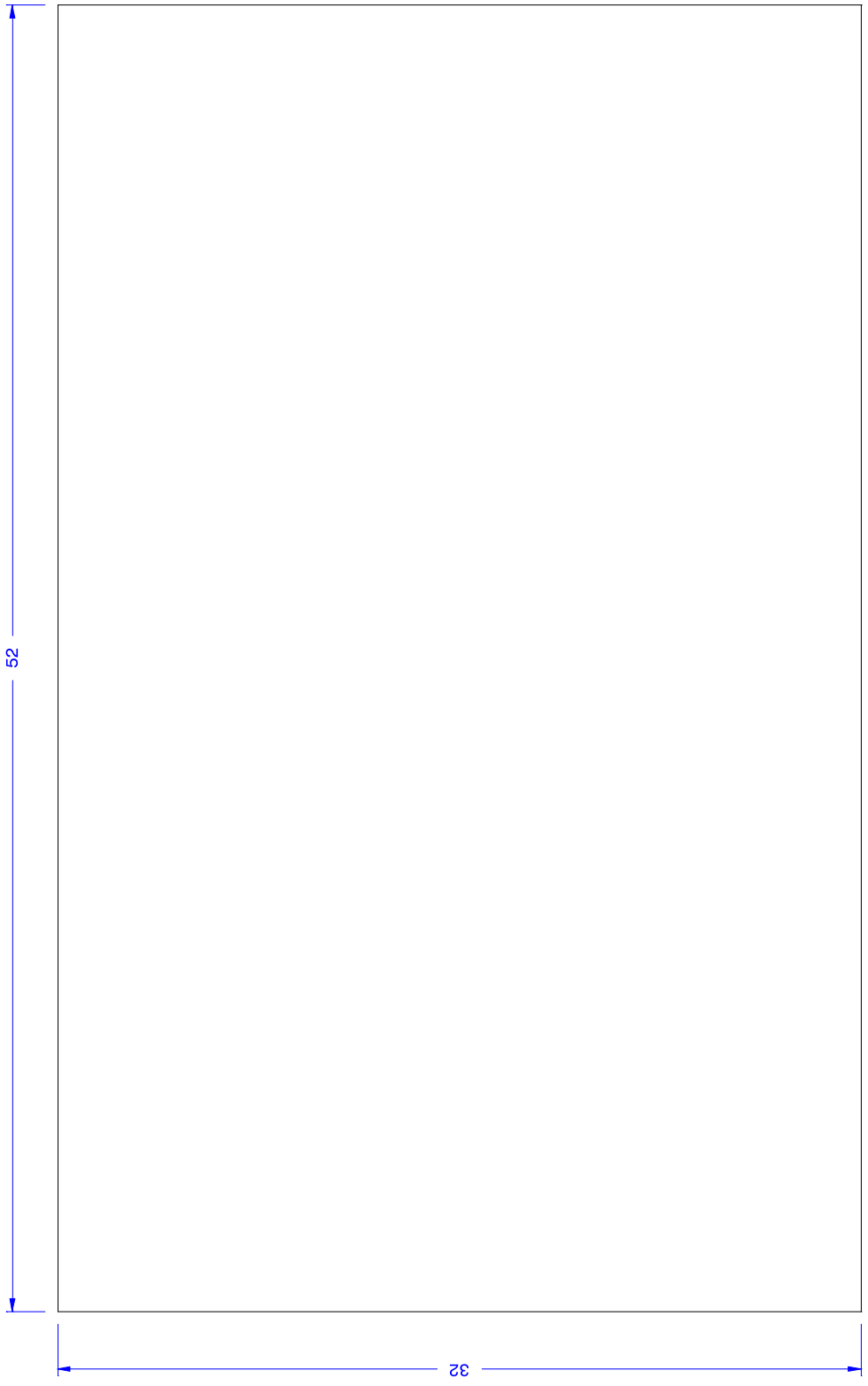


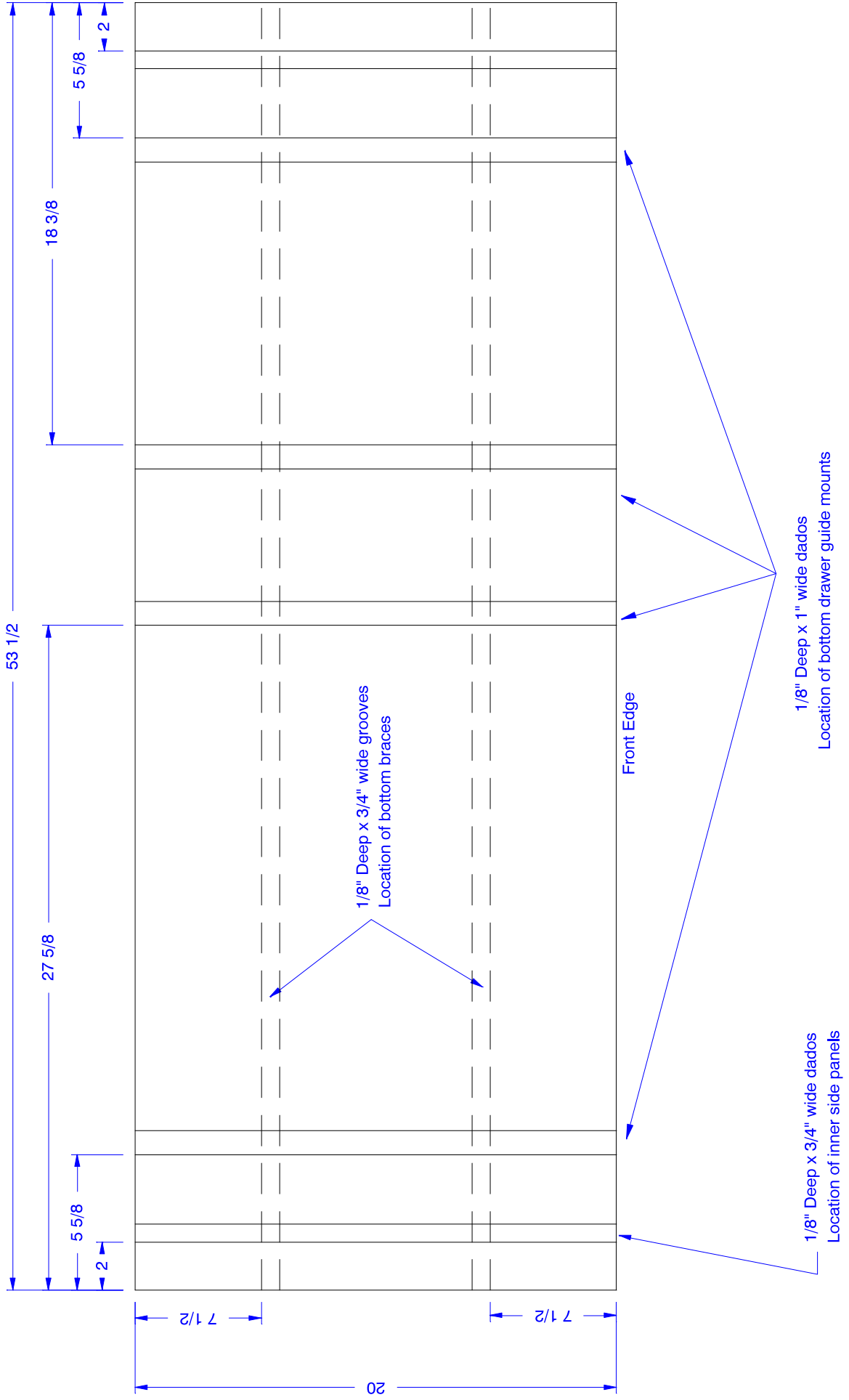
Two bottom braces - 3/4" Birch Plywood



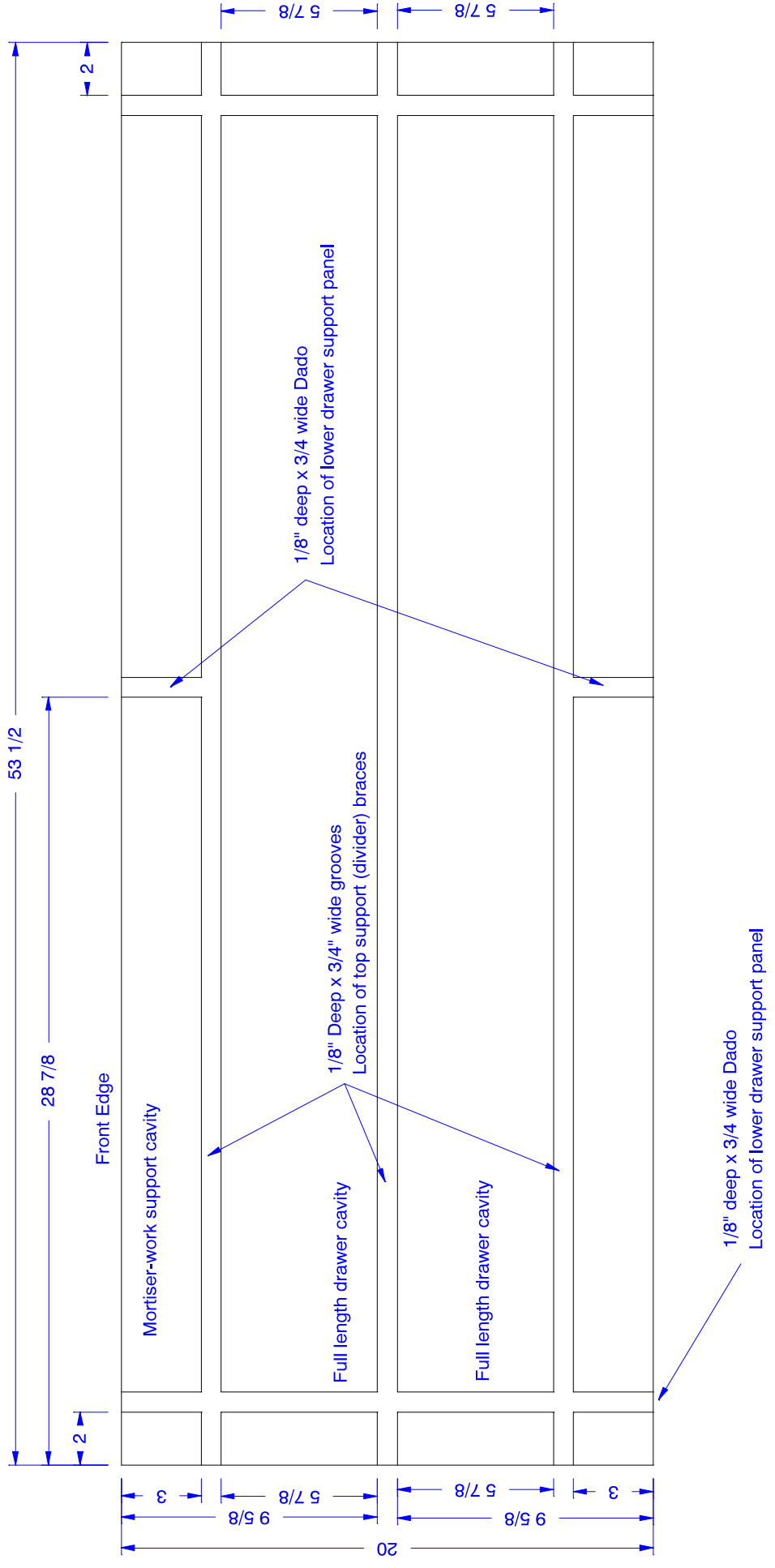
(1) Back panel - 1/2" or 3/4" Birch Plywood



(1) Bottom - 3/4" Birch plywood



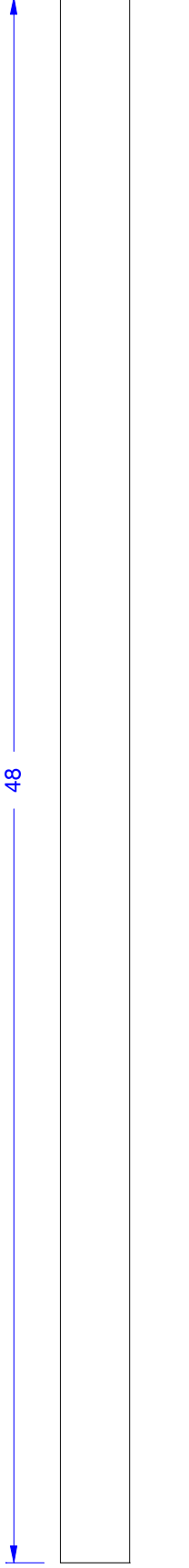
(1) Top panel - 3/4" Birch Plywood
Viewed from bottom side



2 1/8

(3) Top Support Braces - 3/4" Birch Plywood
(side access drawer dividers)

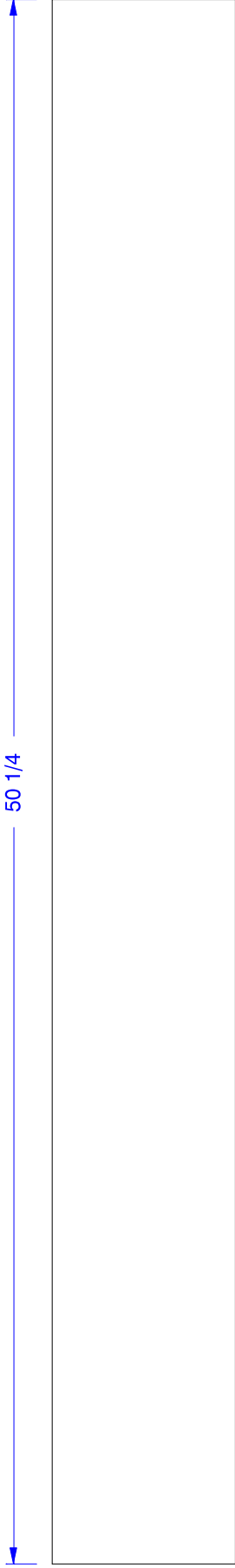
48



(2) Side Access drawer supports - 1/2" Birch Plywood
(side access drawers)

50 1/4

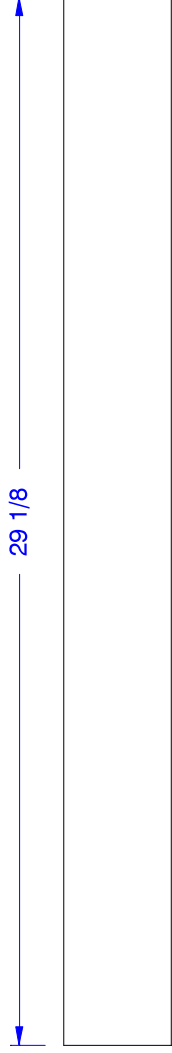
5 7/8

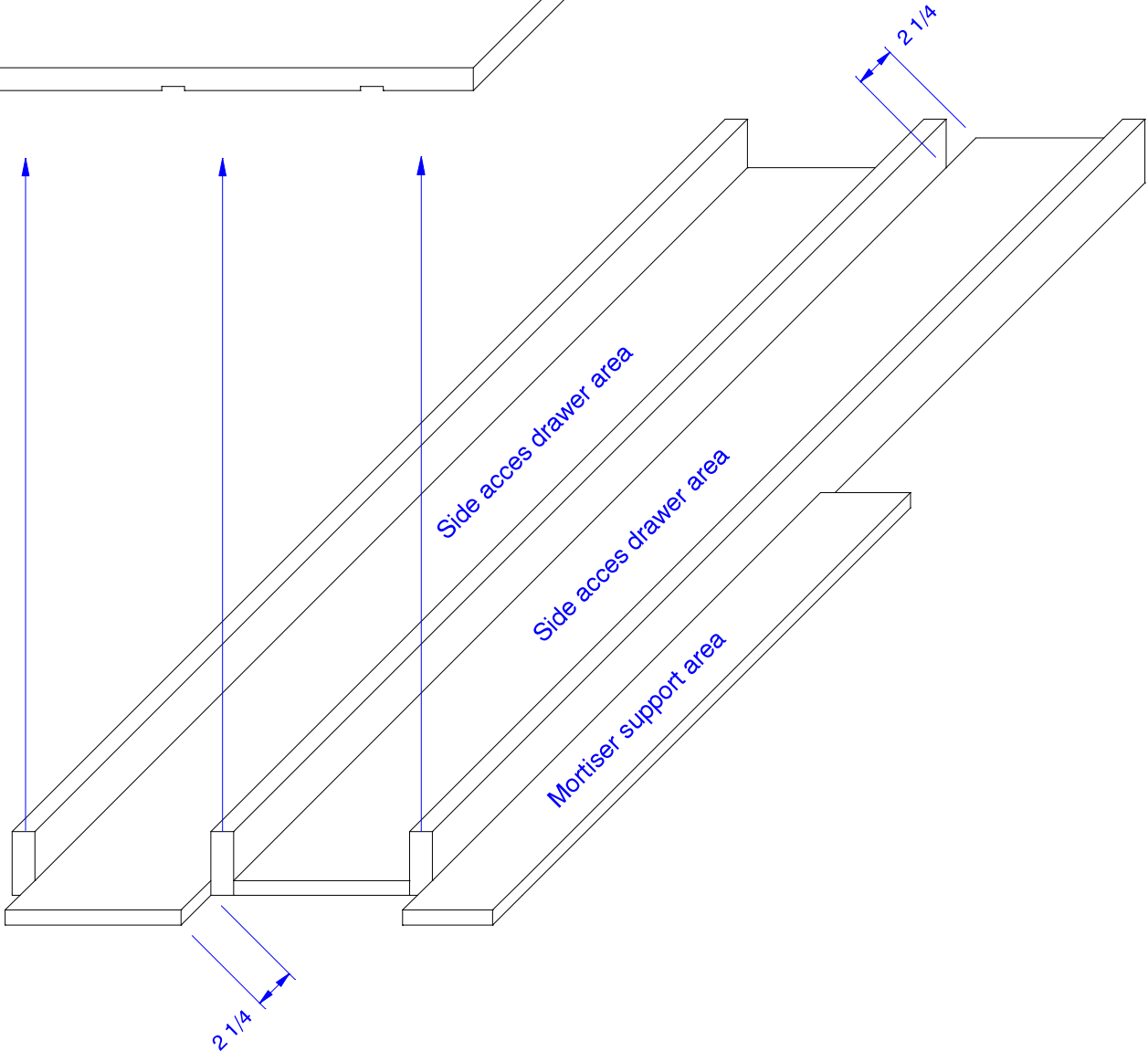
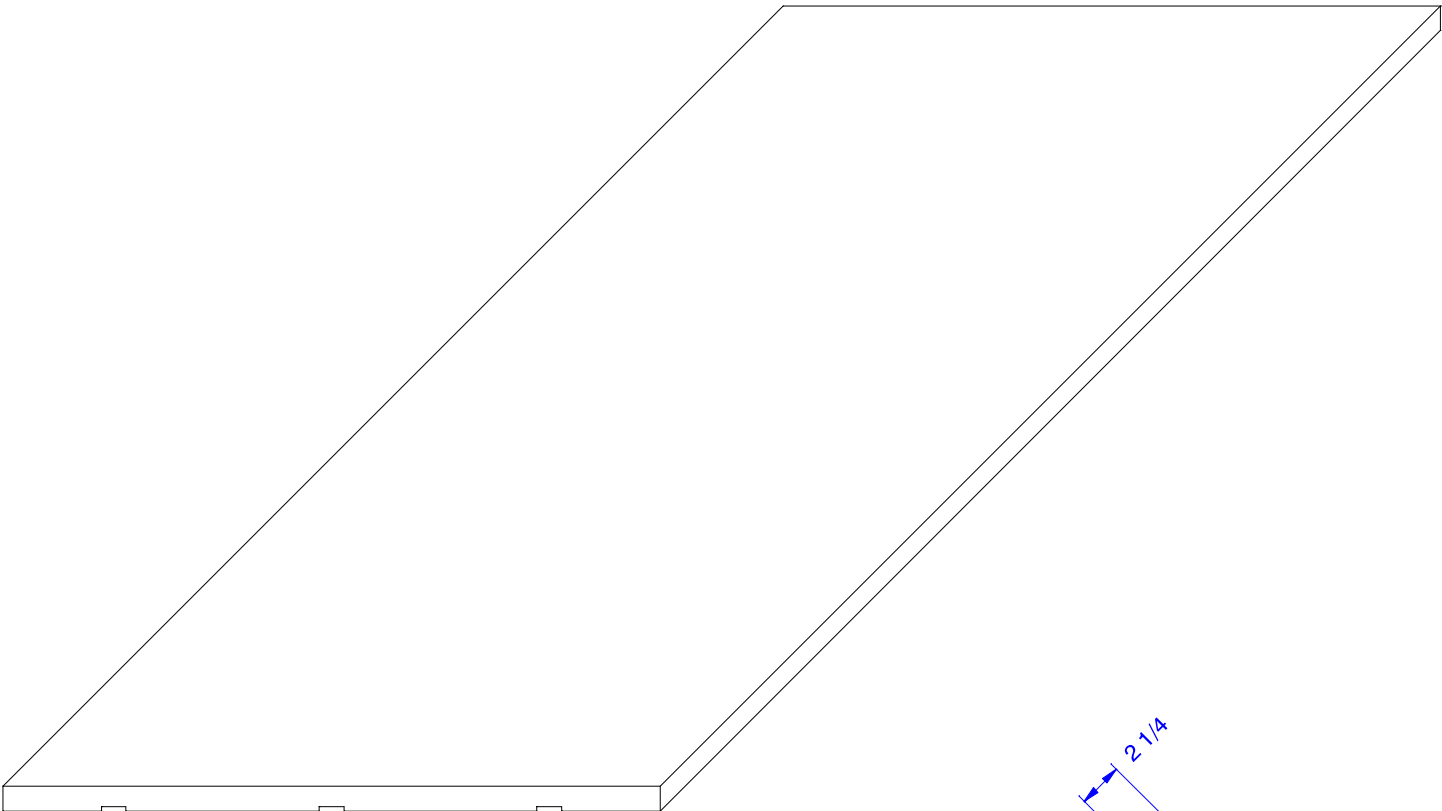


(1) Mortiser work support bottom - 1/2" Birch Plywood
(Mortiser work support)

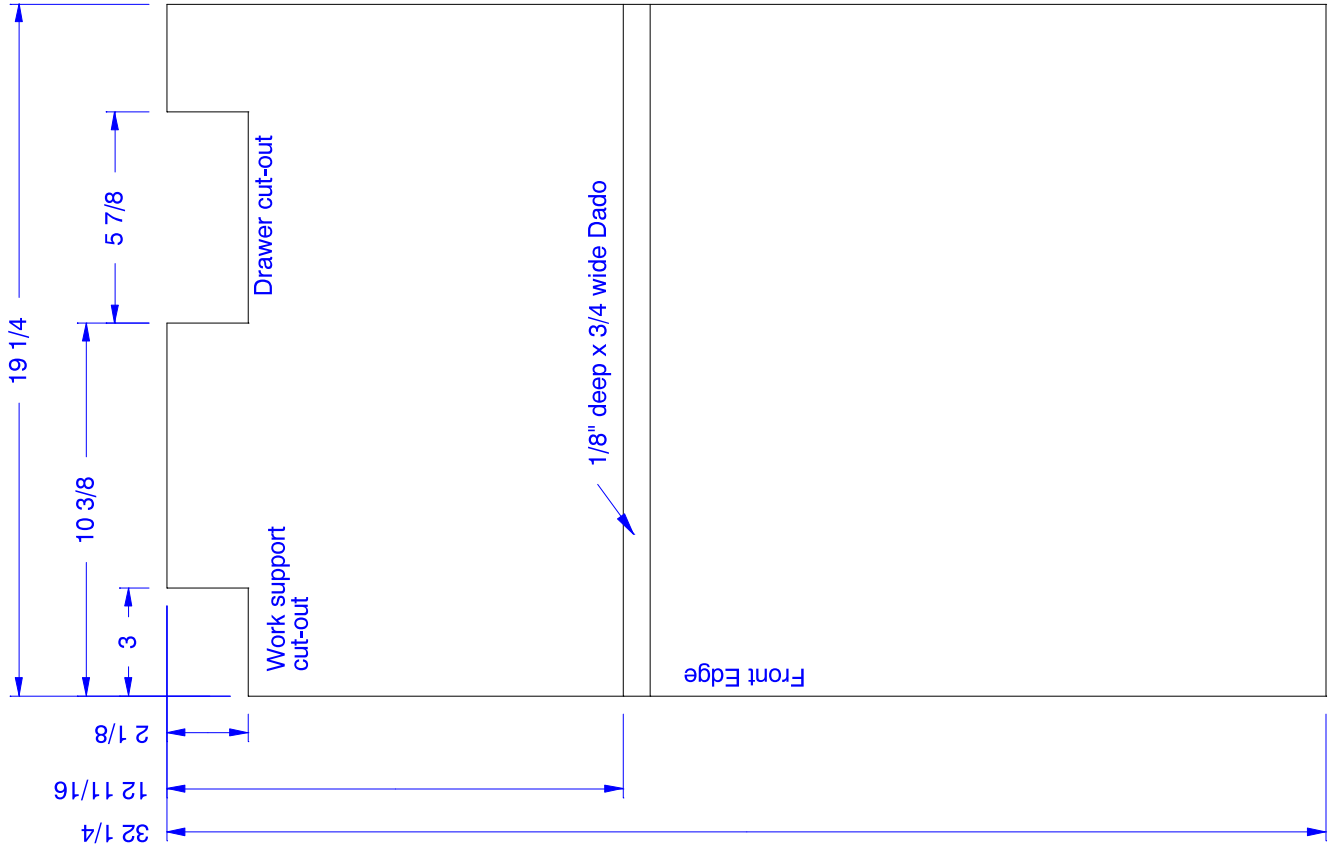
29 1/8

3

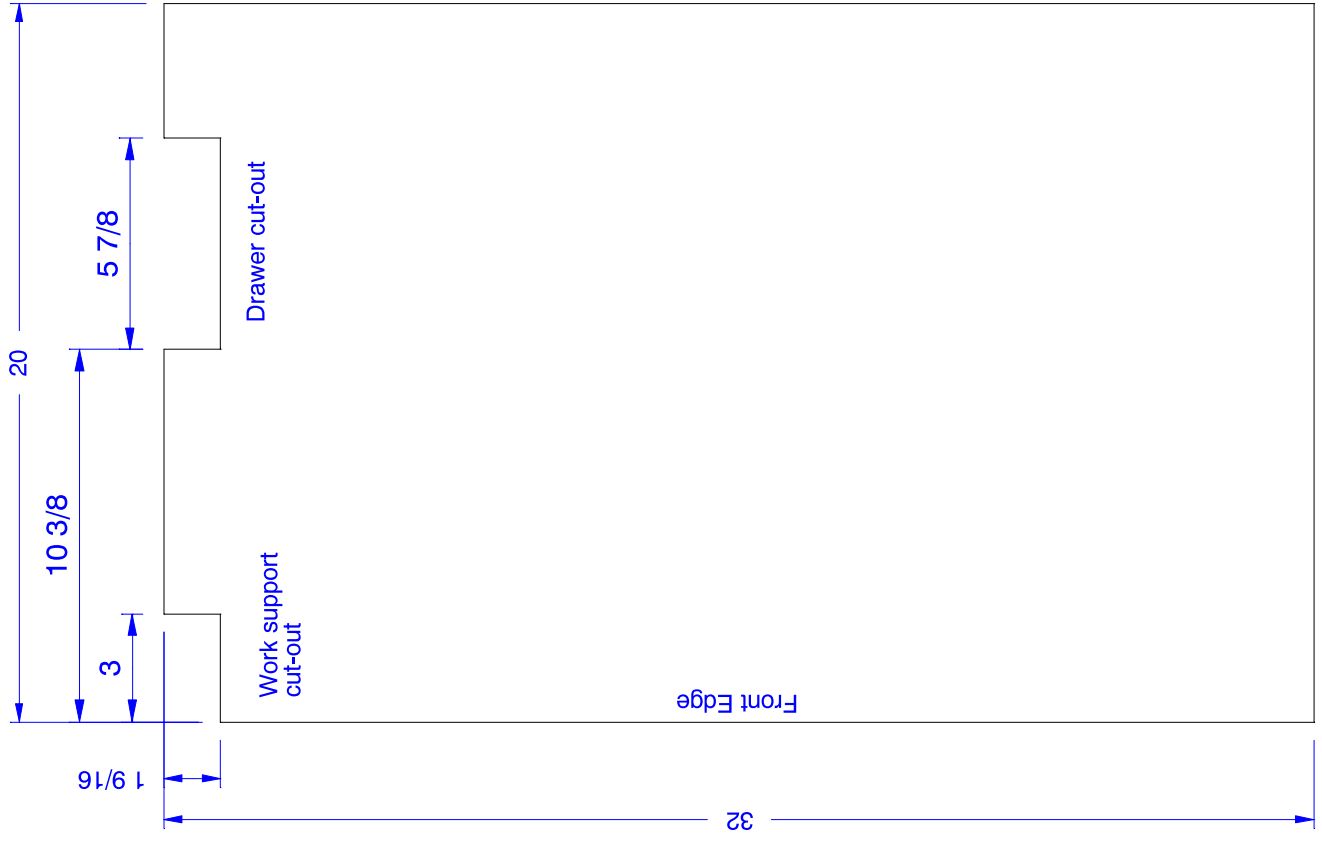




(1) Left Side Inner Panel - 3/4" Birch Plywood



(1) Left Side Outer Panel - 1/2" Birch Plywood



(1) Right Side Outer Panel - 1/2" Birch Plywood



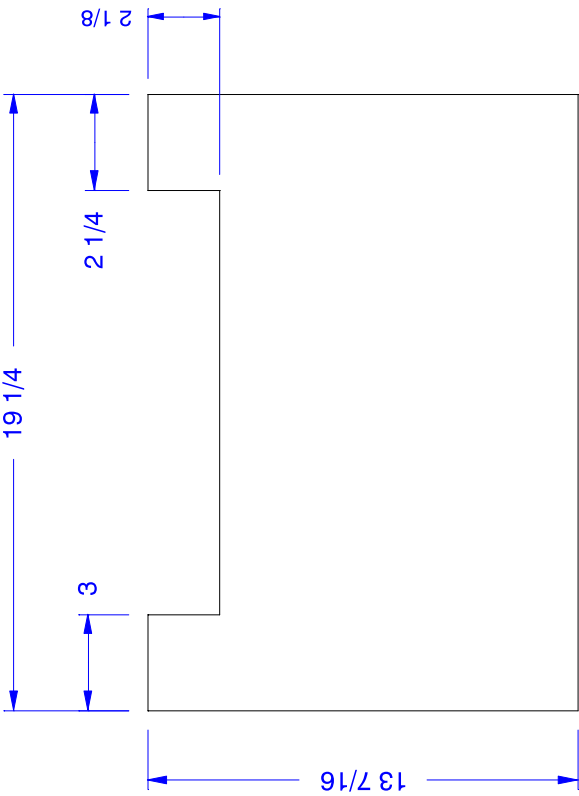
(1) Right Side Inner Panel - 3/4" Birch Plywood



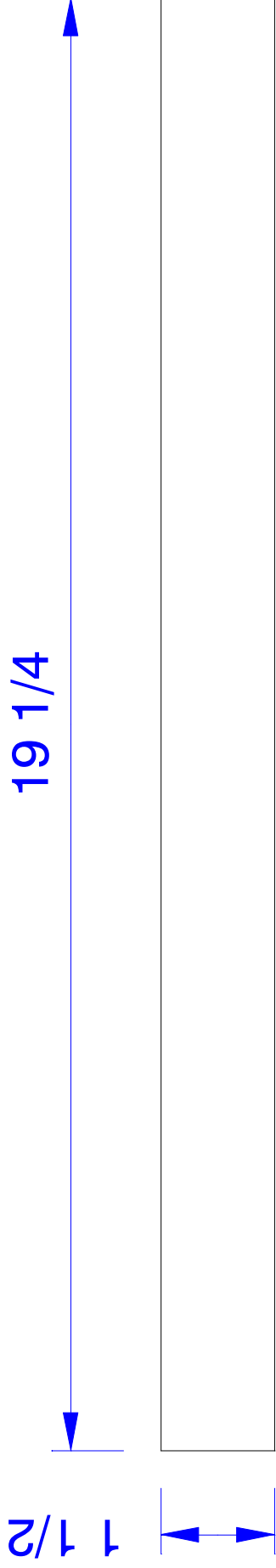
Drawer Hanger Brace - 3/4" Birch plywood



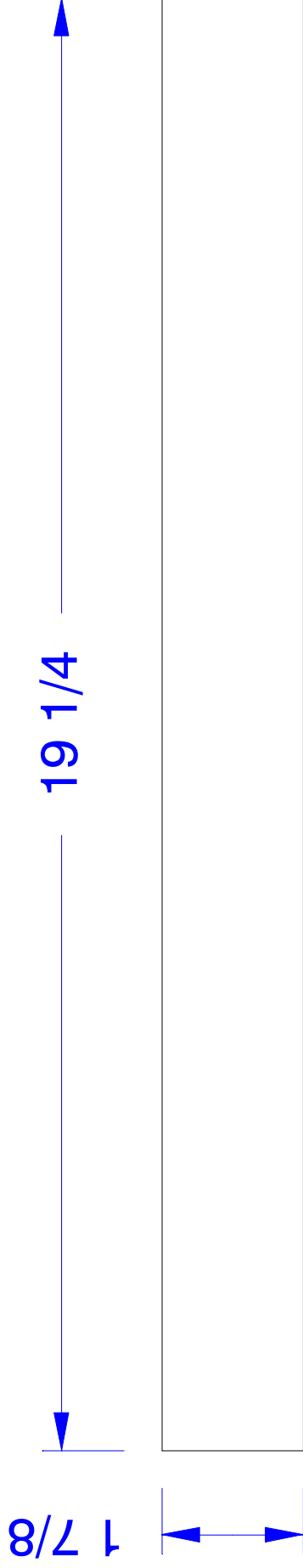
Drawer Hanger - 3/4" Birch plywood



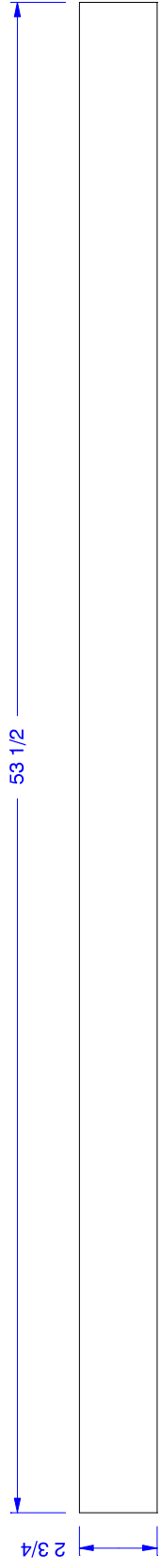
(3) Slide mounts (upper right drawers)
Make from 3/4 hardwood



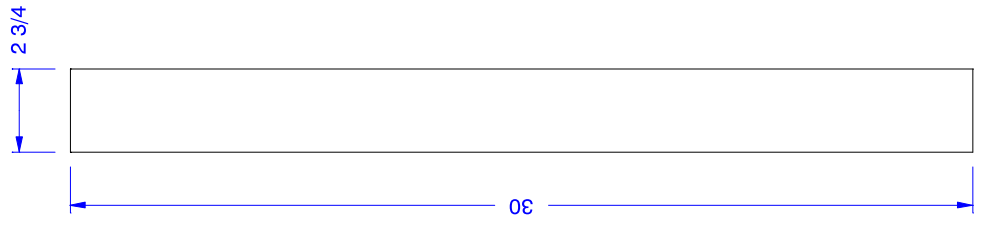
(8) Slide mounts (bottom drawers)
Make from 1" hardwood



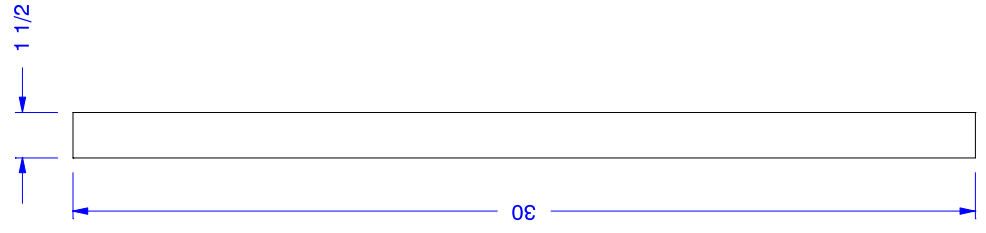
(2) Face frame rails - 3/4 Birch hardwood

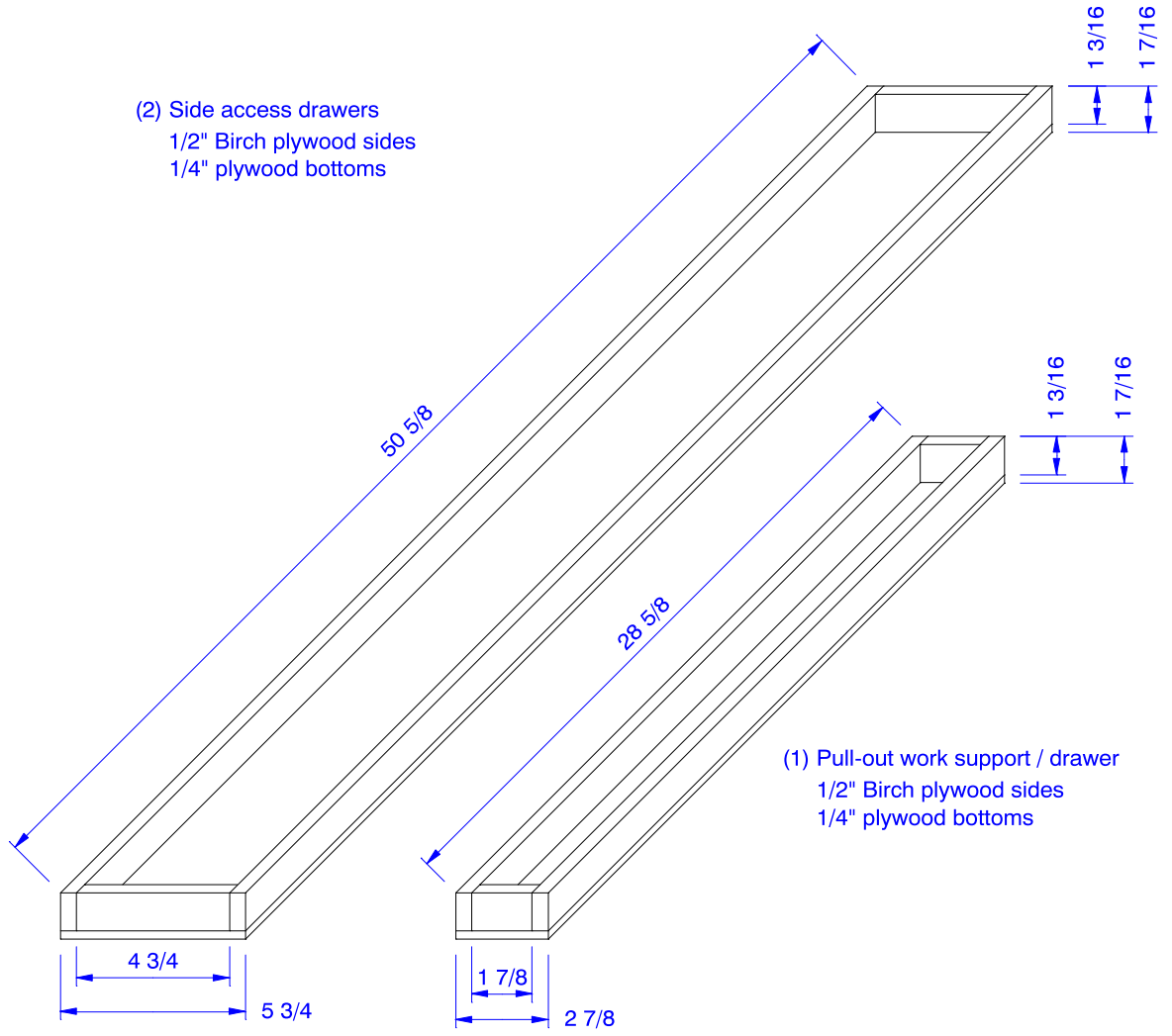


(2) Face frame stiles - 3/4 Birch hardwood



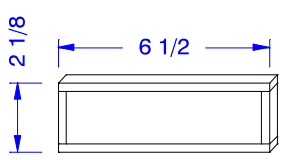
(1) Center stile - 3/4 Birch hardwood





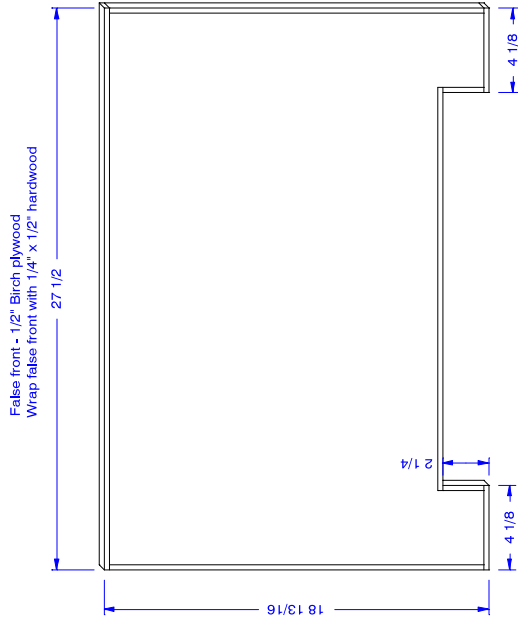
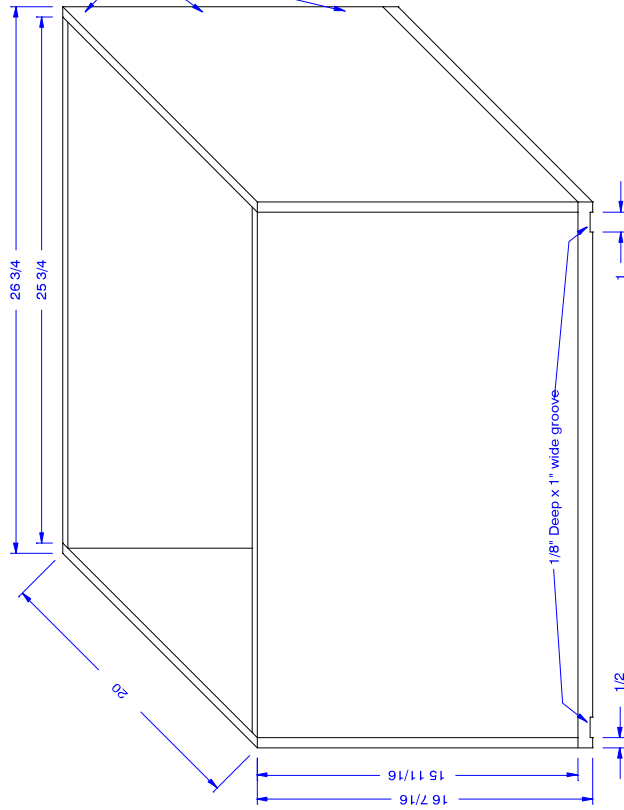
(2) False fronts - 1/2" Birch plywood
 Wrap false front with 1/4" x 1/2" hardwood

Size false front of this drawer to suit needs

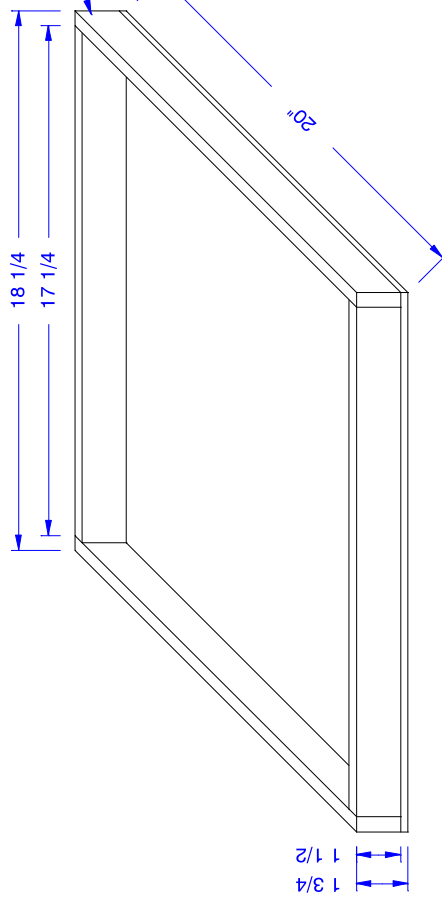


Attach with 3/4 sheet metal screws from inside drawer

Large bottom-left drawer
 1/2" Birch plywood sides
 1/2" Birch plywood bottom

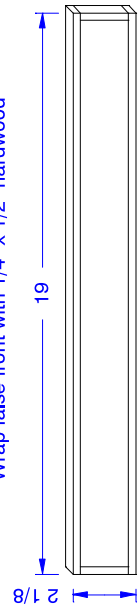


Small bottom-left drawer
1/2" Birch plywood sides
1/4" Plywood bottom



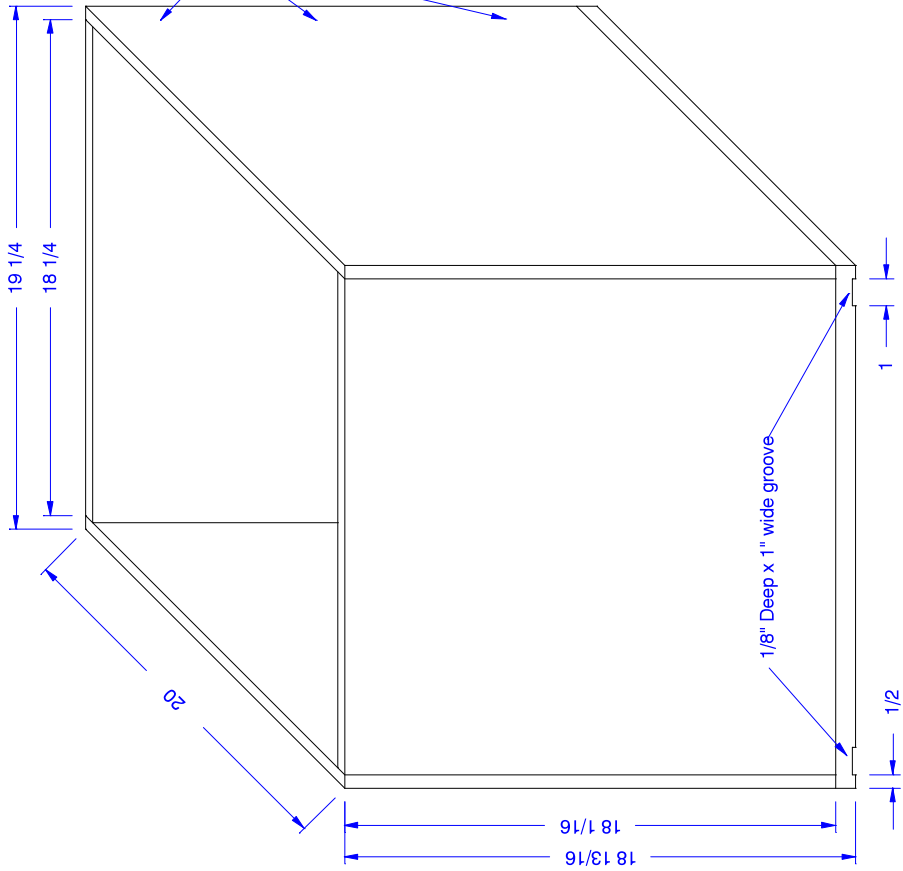
Assemble with: glue, 1 1/4" brads, and
(1) #8 x 1 1/4" wood screw at each joint

False front - 1/2" Birch plywood
Wrap false front with 1/4" x 1/2" hardwood

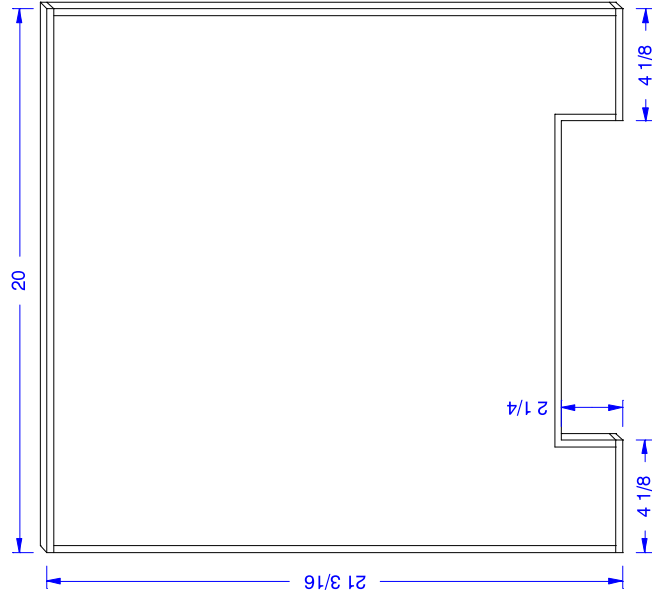


Attach with 3/4 sheet metal screws from inside drawer

Large bottom-right drawer
 1/2" Birch plywood sides
 1/2" Birch plywood bottom

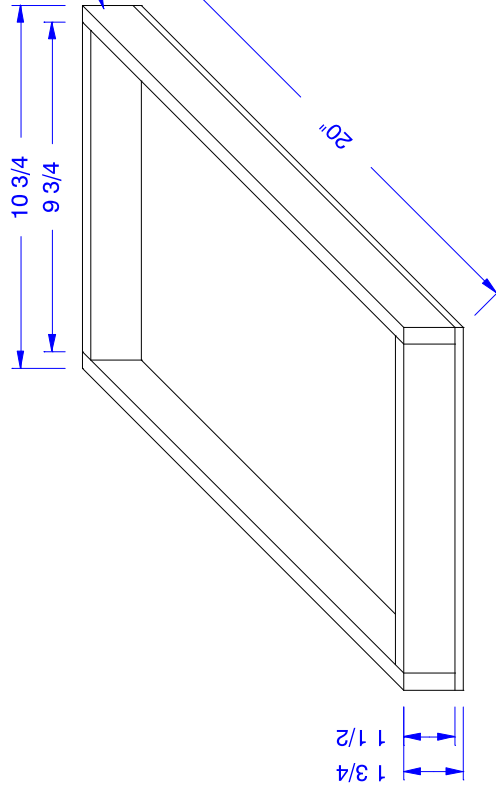


False front - 1/2" Birch plywood
 Wrap false front with 1/4" x 1/2" hardwood

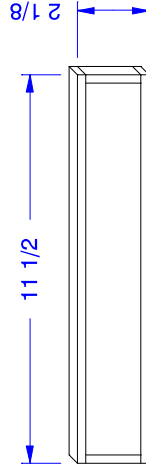


Attach with 3/4 sheet metal screws from inside drawer

Small bottom-right drawer
1/2" Birch plywood sides
1/4" Plywood bottom

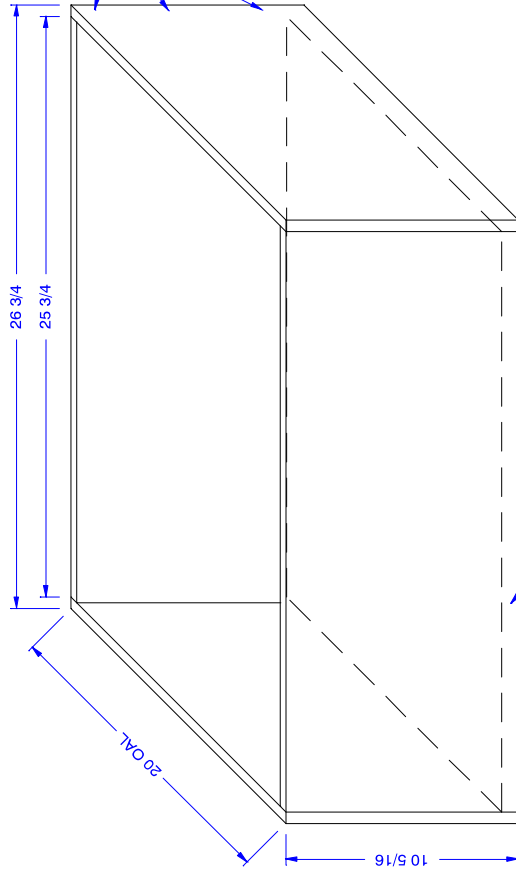


False front - 1/2" Birch plywood
Wrap false front with 1/4" x 1/2" hardwood



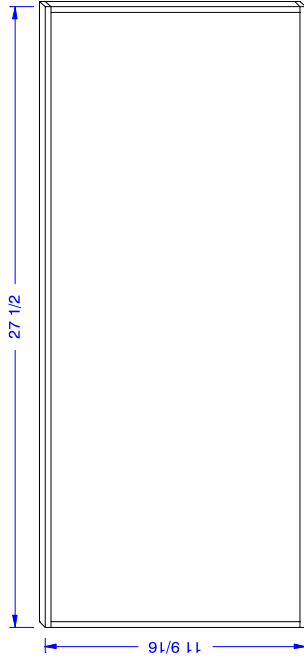
Attach with 3/4 sheet metal screws from inside drawer

Top left drawer
1/2" Birch plywood sides
3/4" Birch plywood bottom



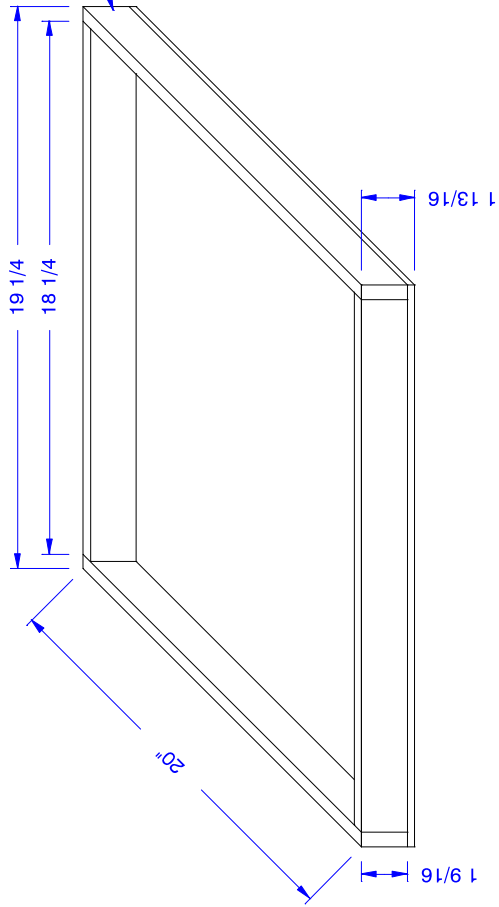
Assemble with: glue, 1 1/4" brads, and #8 x 1 1/4" wood screws spaced 6 apart. Drive screws into bottom as well as sides

False front - 1/2" Birch plywood
Wrap false front with 1/4" x 1/2" hardwood



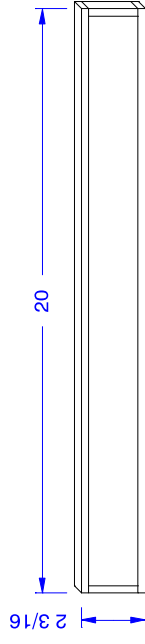
Attach with 3/4 sheet metal screws from inside drawer

First right drawer (Top-right)
1/2" Birch plywood sides
1/4" Plywood bottom



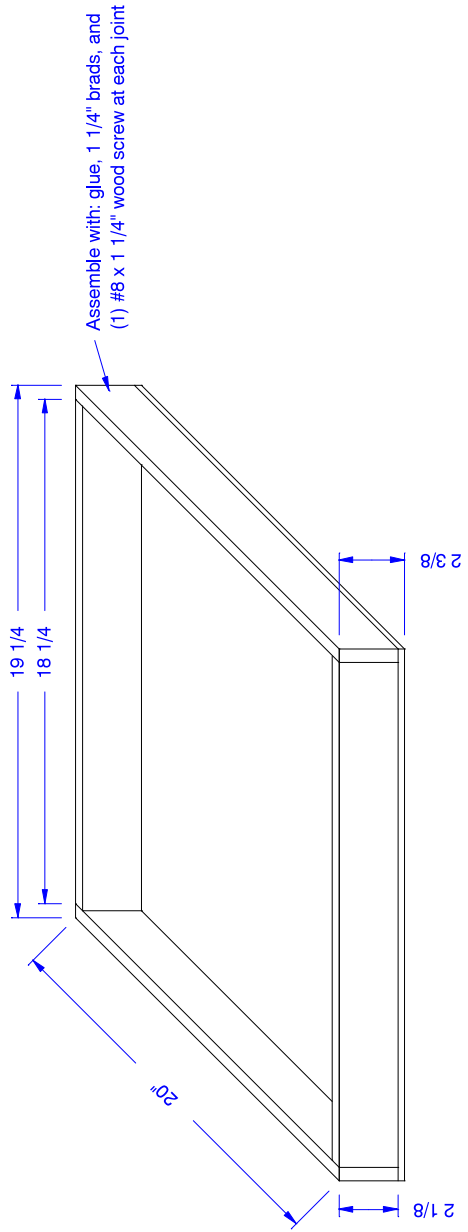
Assemble with: glue, 1 1/4" brads, and
(1) #8 x 1 1/4" wood screw at each joint

False front - 1/2" Birch plywood
Wrap false front with 1/4" x 1/2" hardwood

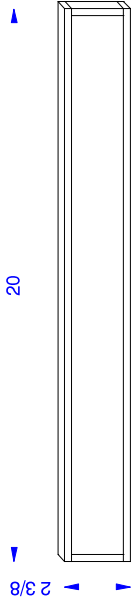


Attach with 3/4 sheet metal screws from inside drawer

Second right drawer
1/2" Birch plywood sides
1/4" Plywood bottom

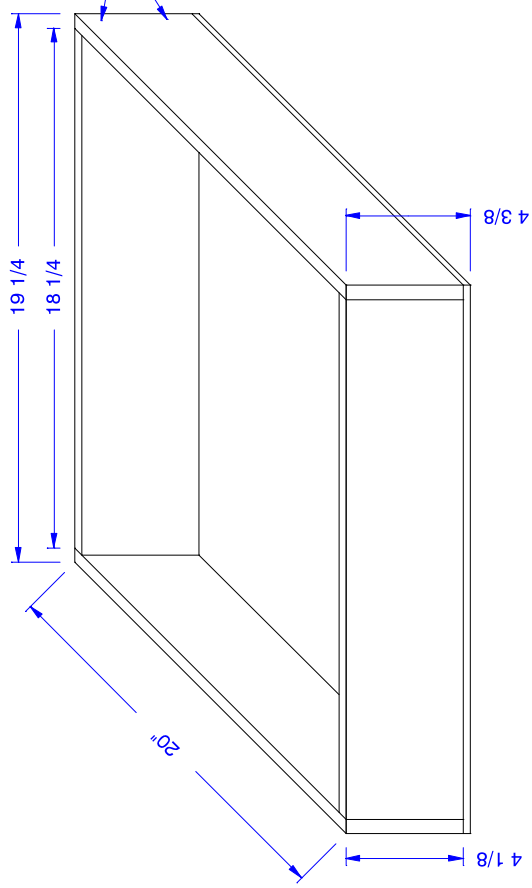


False front - 1/2" Birch plywood
Wrap false front with 1/4" x 1/2" hardwood



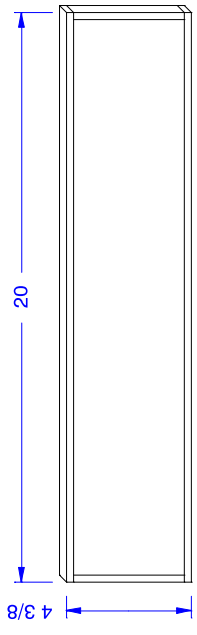
Attach with 3/4 sheet metal screws from inside drawer

Third right drawer
1/2" Birch plywood sides
1/4" Plywood bottom



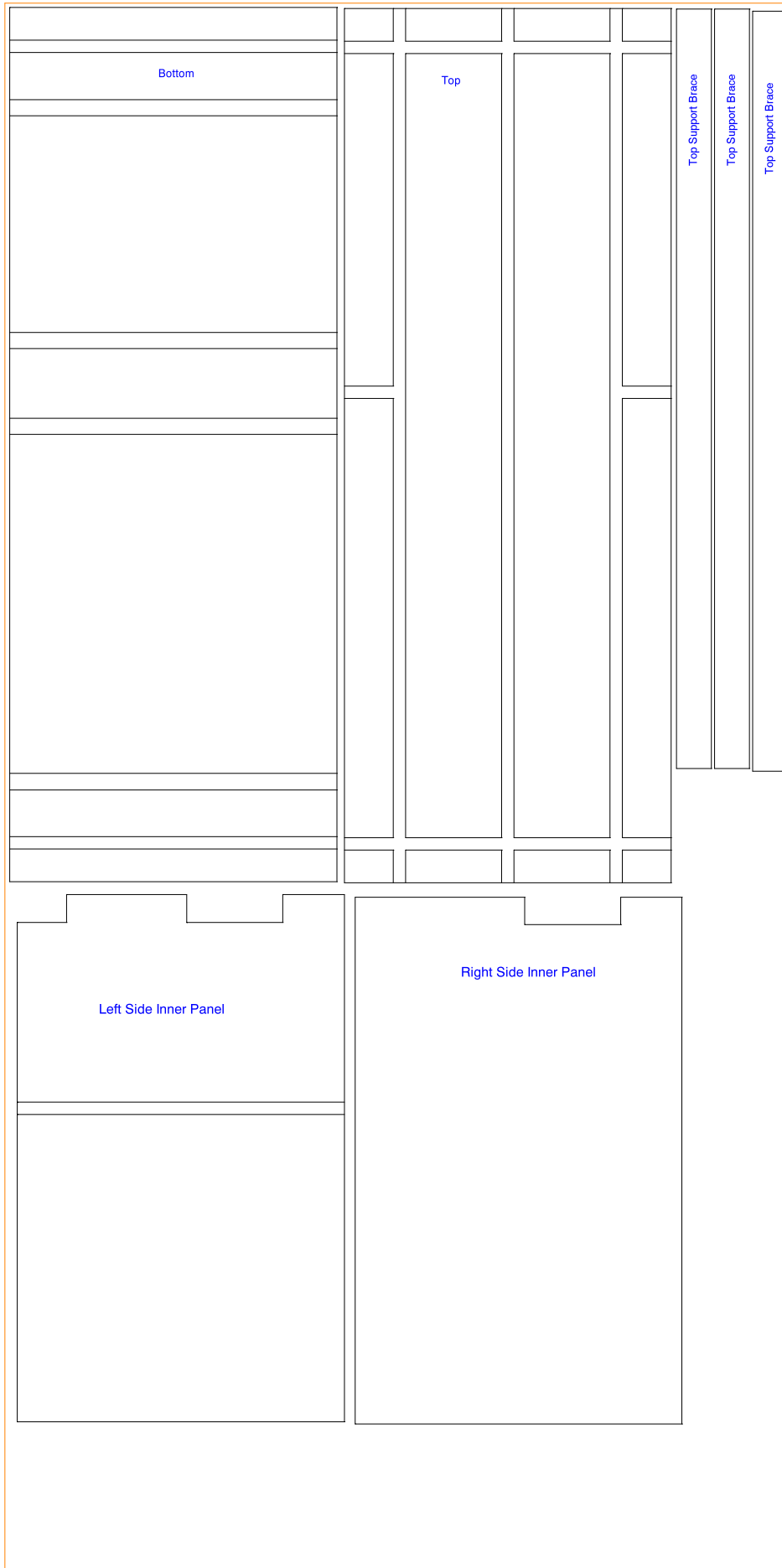
Assemble with: glue, 1 1/4" brads, and
(2) #8 x 1 1/4" wood screws

False front - 1/2" Birch plywood
Wrap false front with 1/4" x 1/2" hardwood

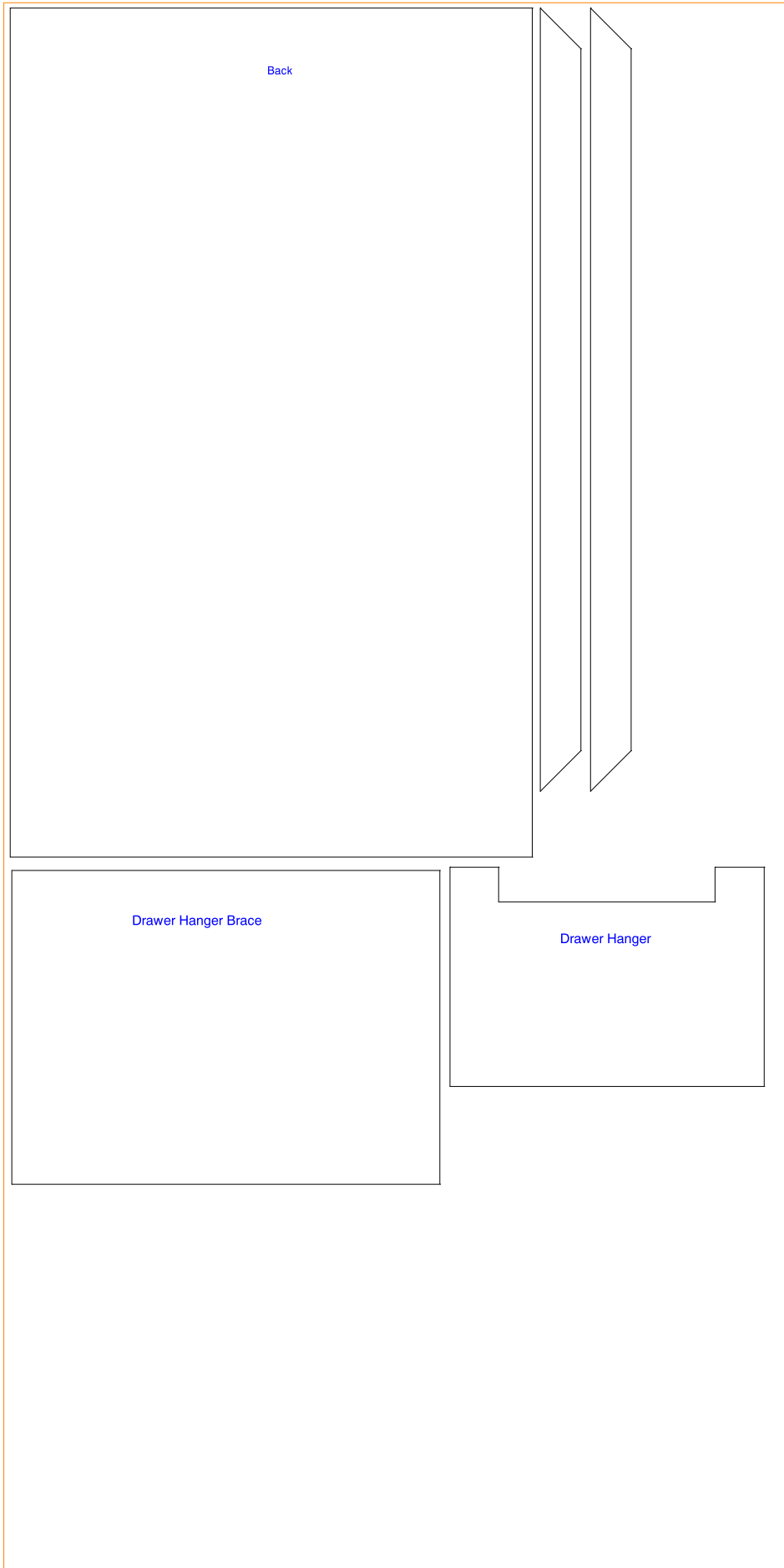


Attach with 3/4 sheet metal screws from inside drawer

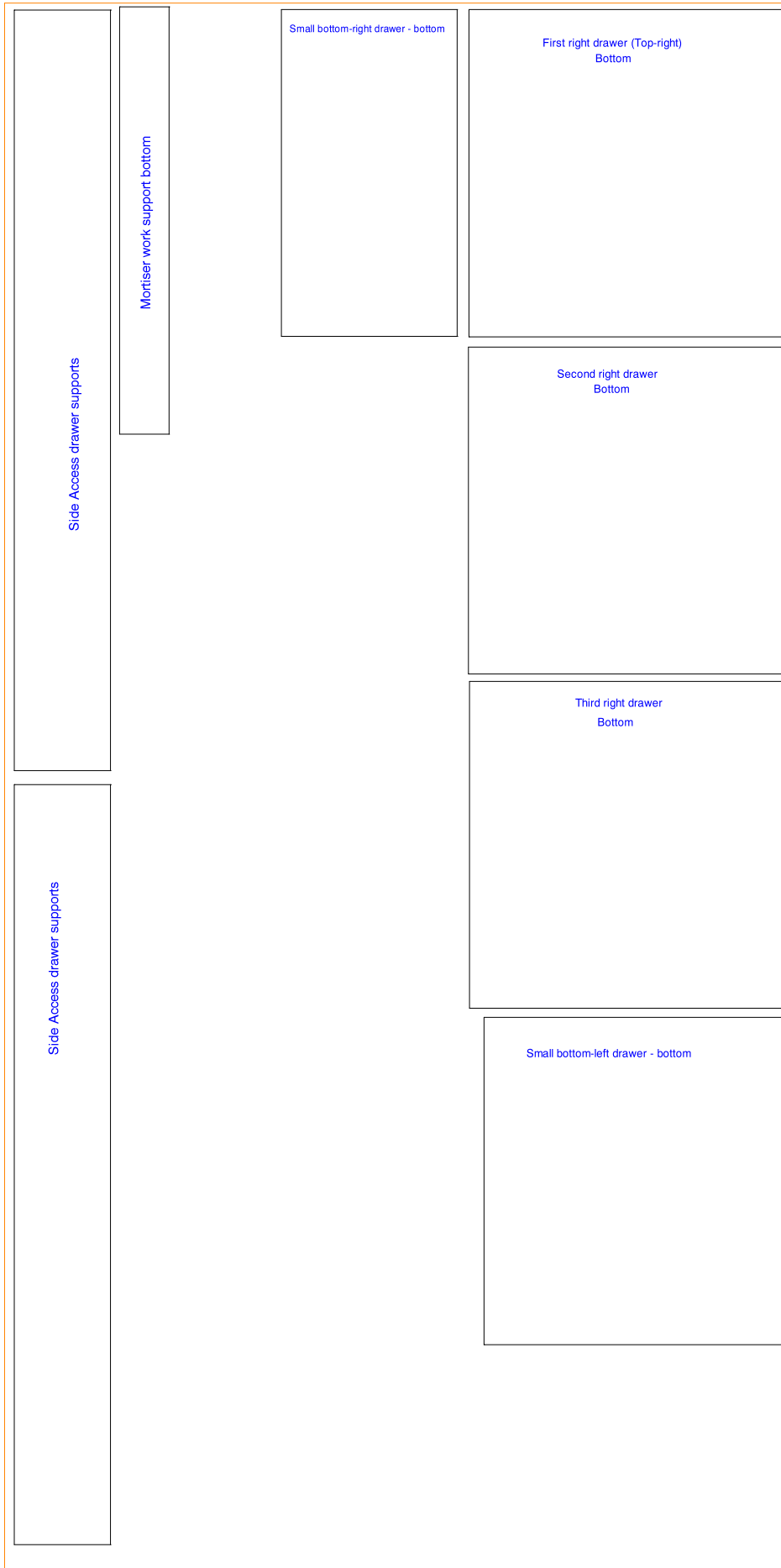
3/4" x 4' x 8' Birch plywood



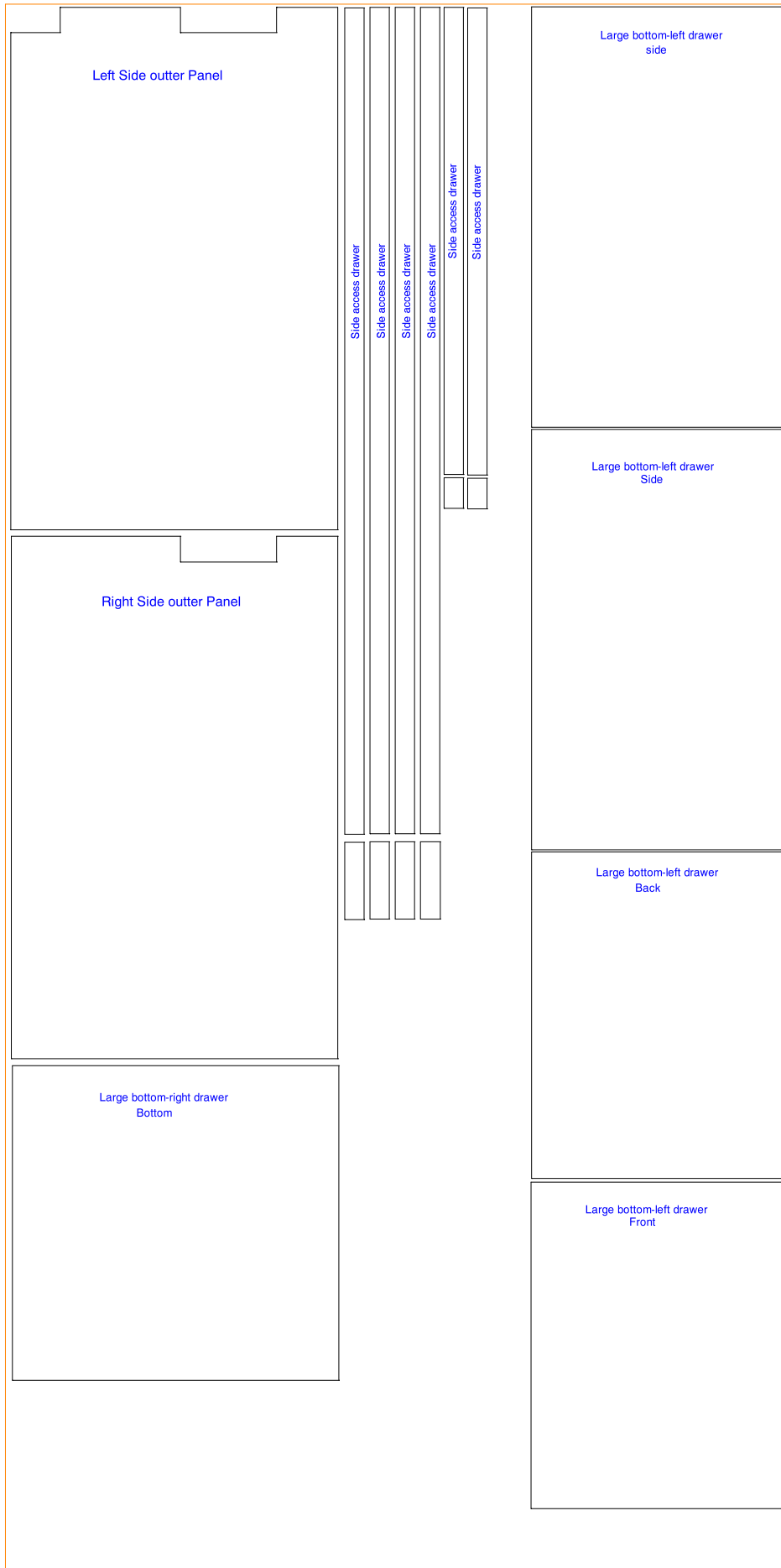
3/4" x 4' x 8' Birch plywood



1/4" x 4' x 8' Birch plywood



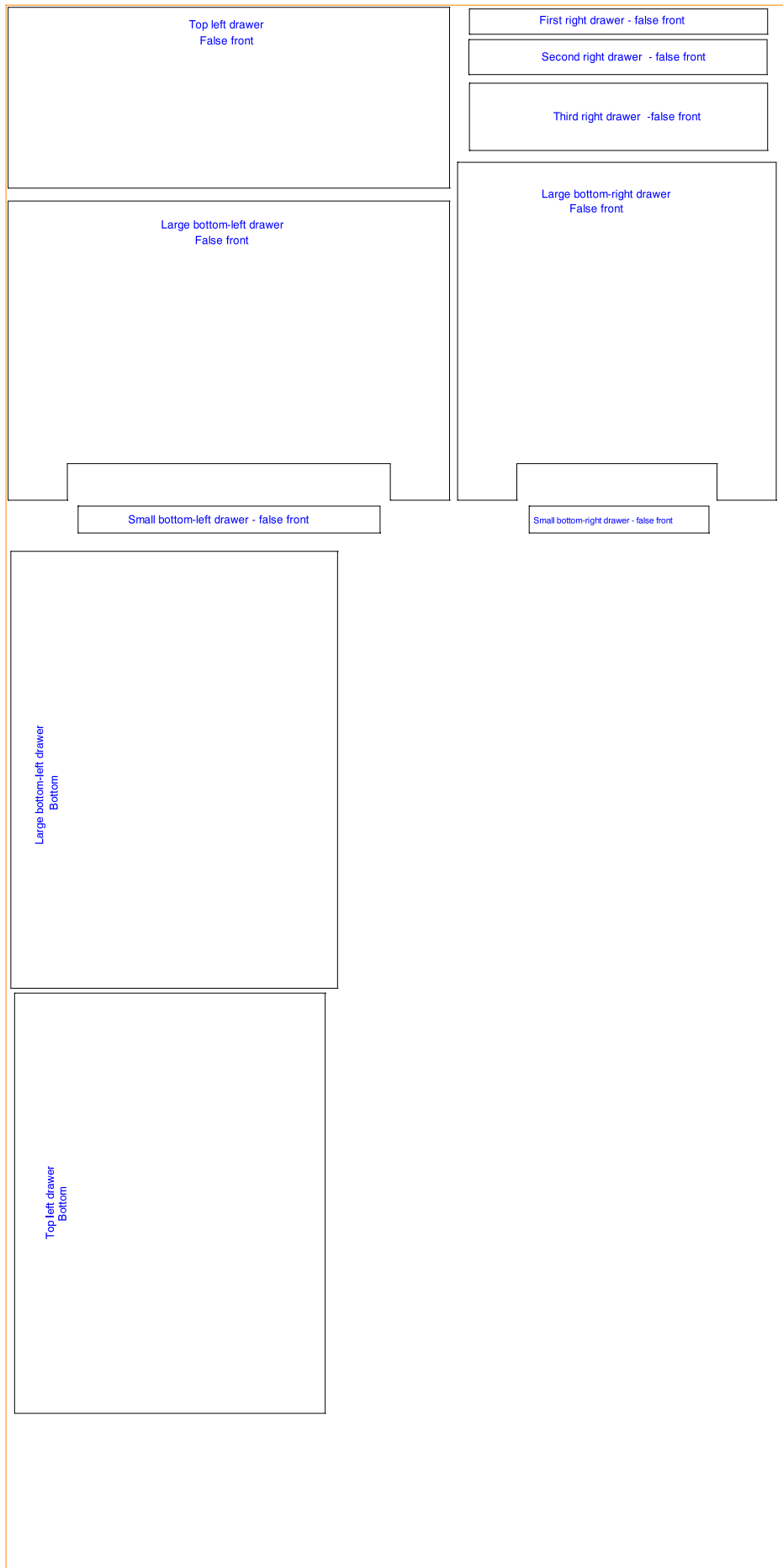
1/2" x 4' x 8' Birch plywood



1/2" x 4' x 8' Birch plywood

<p>First right drawer - back</p> <p>Second right drawer - back</p> <p>Third right drawer - back</p>	<p>First right drawer - front</p> <p>Second right drawer - front</p> <p>Third right drawer - front</p>	<p>First right drawer - side</p> <p>Second right drawer - side</p> <p>Third right drawer - side</p>	<p>Top left drawer Back</p>	<p>Top left drawer Front</p>	<p>Top left drawer Side</p>	<p>Top left drawer Side</p>	<p>Large bottom-right drawer Back</p>	<p>Large bottom-right drawer Front</p>	<p>Large bottom-right drawer Side</p>	<p>Large bottom-right drawer Side</p>	<p>Small bottom-left drawer - front / back</p> <p>Small bottom-left drawer - front / back</p>	<p>Small bottom-left drawer - front / back</p> <p>Small bottom-left drawer - front / back</p>	<p>Small bottom-right drawer - front</p> <p>Small bottom-right drawer - back</p>	<p>Small bottom-right drawer - side</p> <p>Small bottom-right drawer - side</p>	<p>Small bottom-right drawer - side</p> <p>Small bottom-right drawer - side</p>
-----------------------------------------------------------------------------------------------------	--------------------------------------------------------------------------------------------------------	-----------------------------------------------------------------------------------------------------	---------------------------------	----------------------------------	---------------------------------	---------------------------------	-------------------------------------------	--------------------------------------------	-------------------------------------------	-------------------------------------------	-----------------------------------------------------------------------------------------------	-----------------------------------------------------------------------------------------------	----------------------------------------------------------------------------------	---------------------------------------------------------------------------------	---------------------------------------------------------------------------------

1/2" x 4' x 8' Birch plywood



3/4" x 10" x 96 Birch hardwood

Face frame stile

Face frame rail

Face frame stile

Face frame rail

Face frame center stile