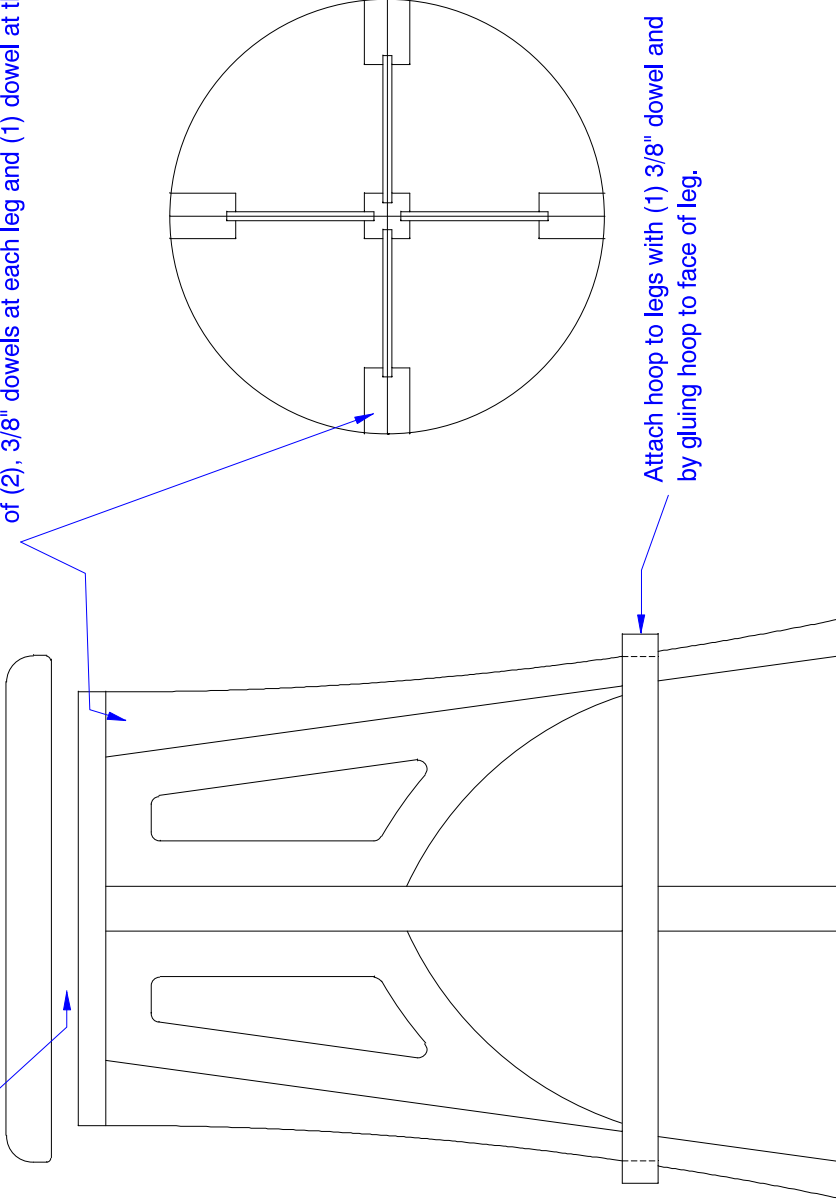


Chair Swivel - 3/4" thick
Rockler P/N: 41202

Join frame top to legs & spider using a minimum
of (2), 3/8" dowels at each leg and (1) dowel at the spider

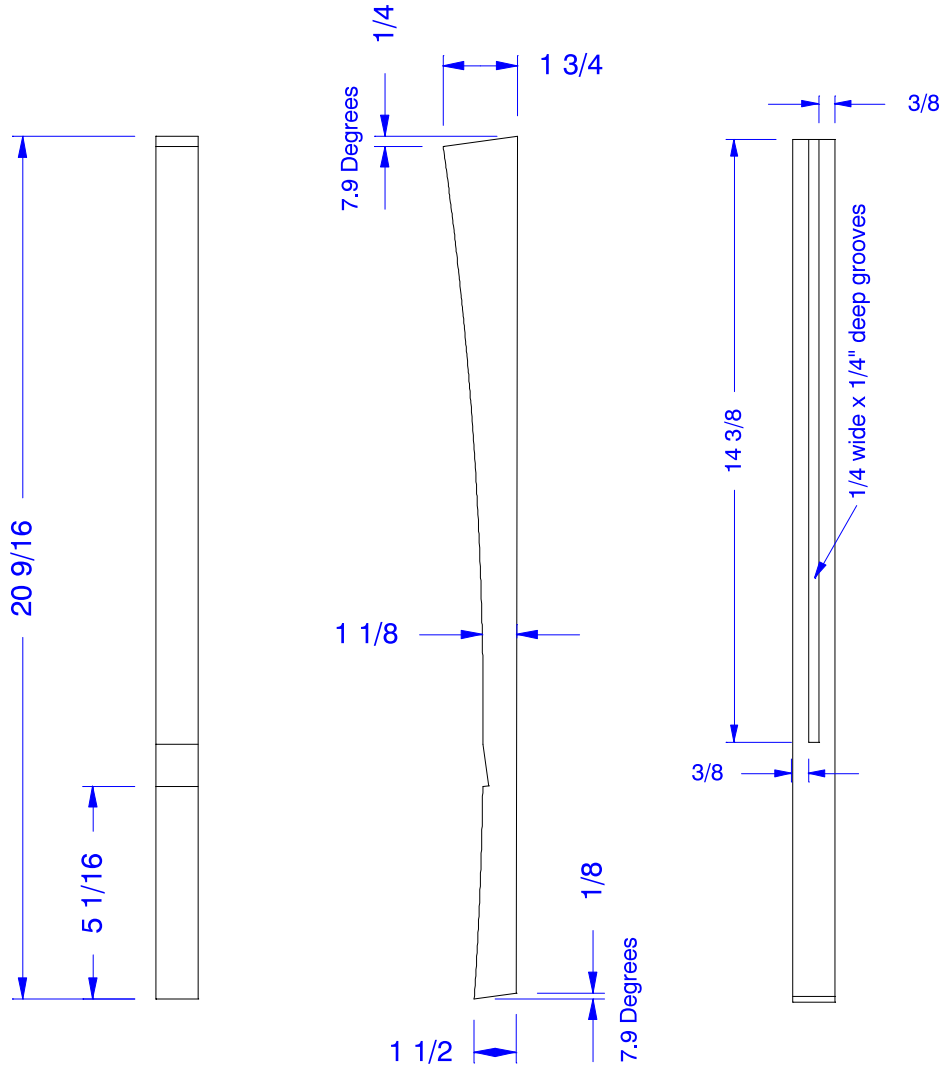


Attach hoop to legs with (1) 3/8" dowel and
by gluing hoop to face of leg.

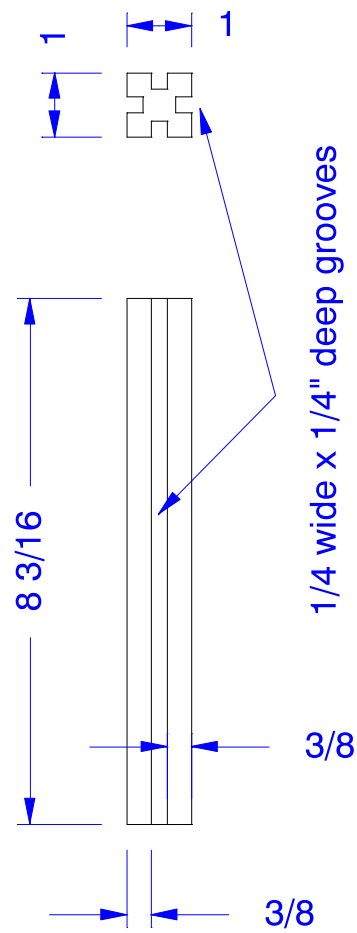
Chair glides (select style for floor type)
We used Rockler P/N: 18649

An alternative to conventional dowels are the Miller Dowels which are available at most woodworking retailers

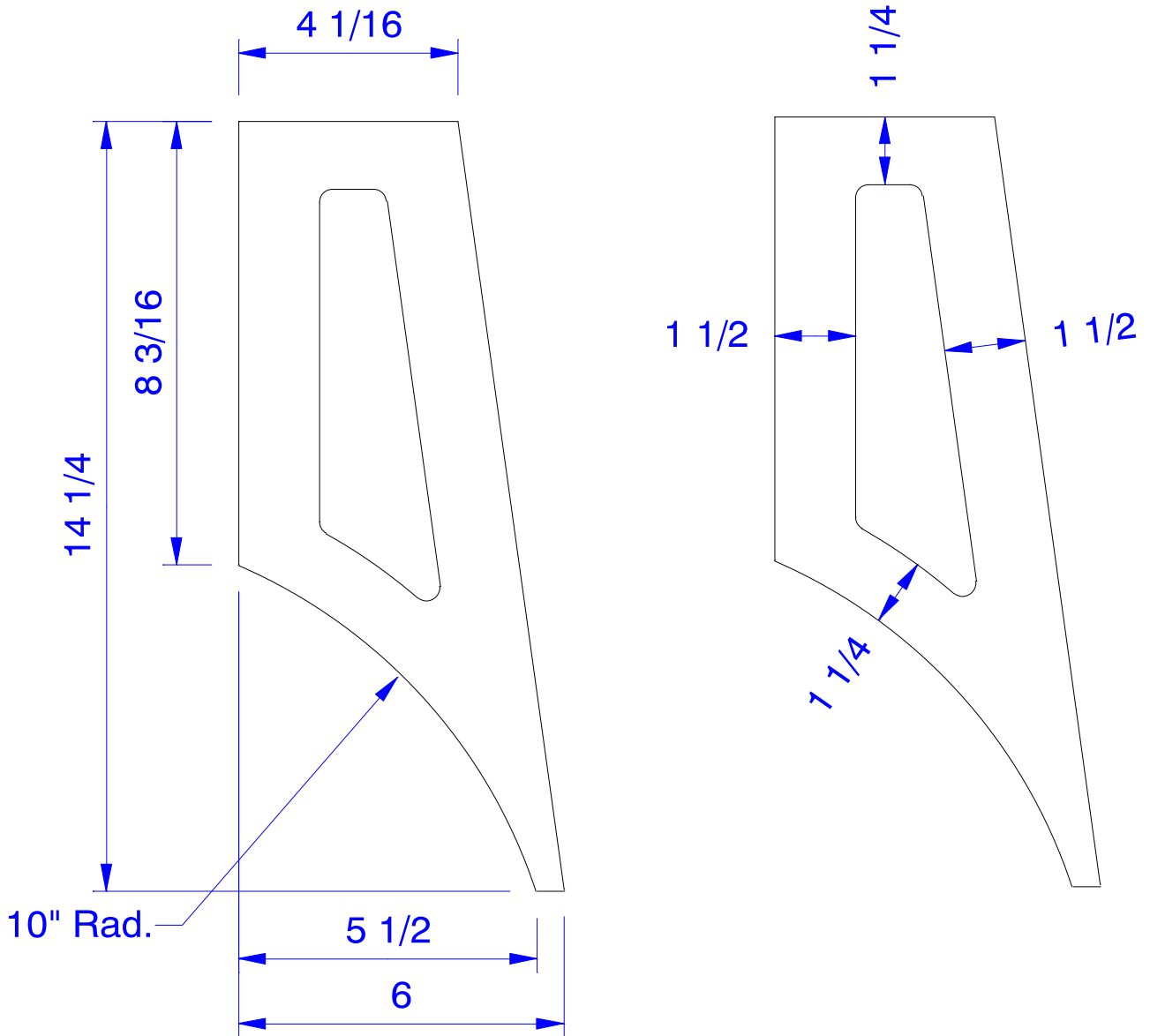
(4) Legs - 1" White Oak



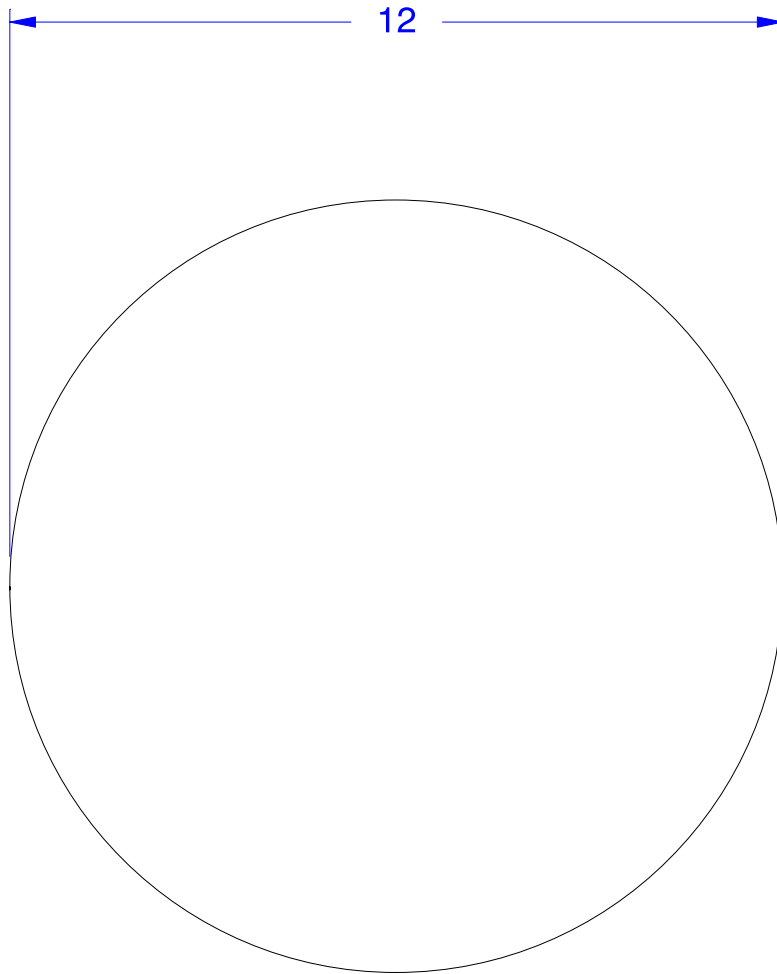
(1) Spider - 1" White Oak



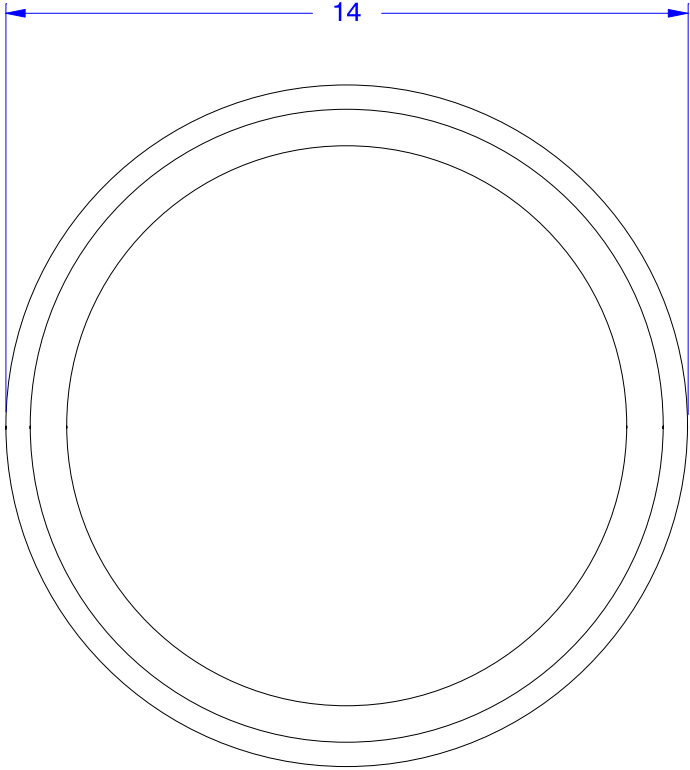
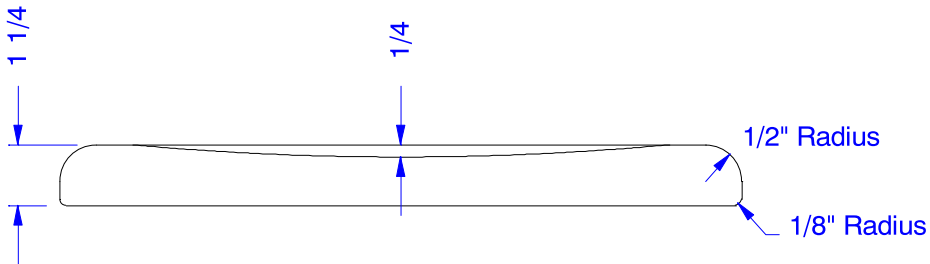
(4) Leg Webs 1/4" birch plywood



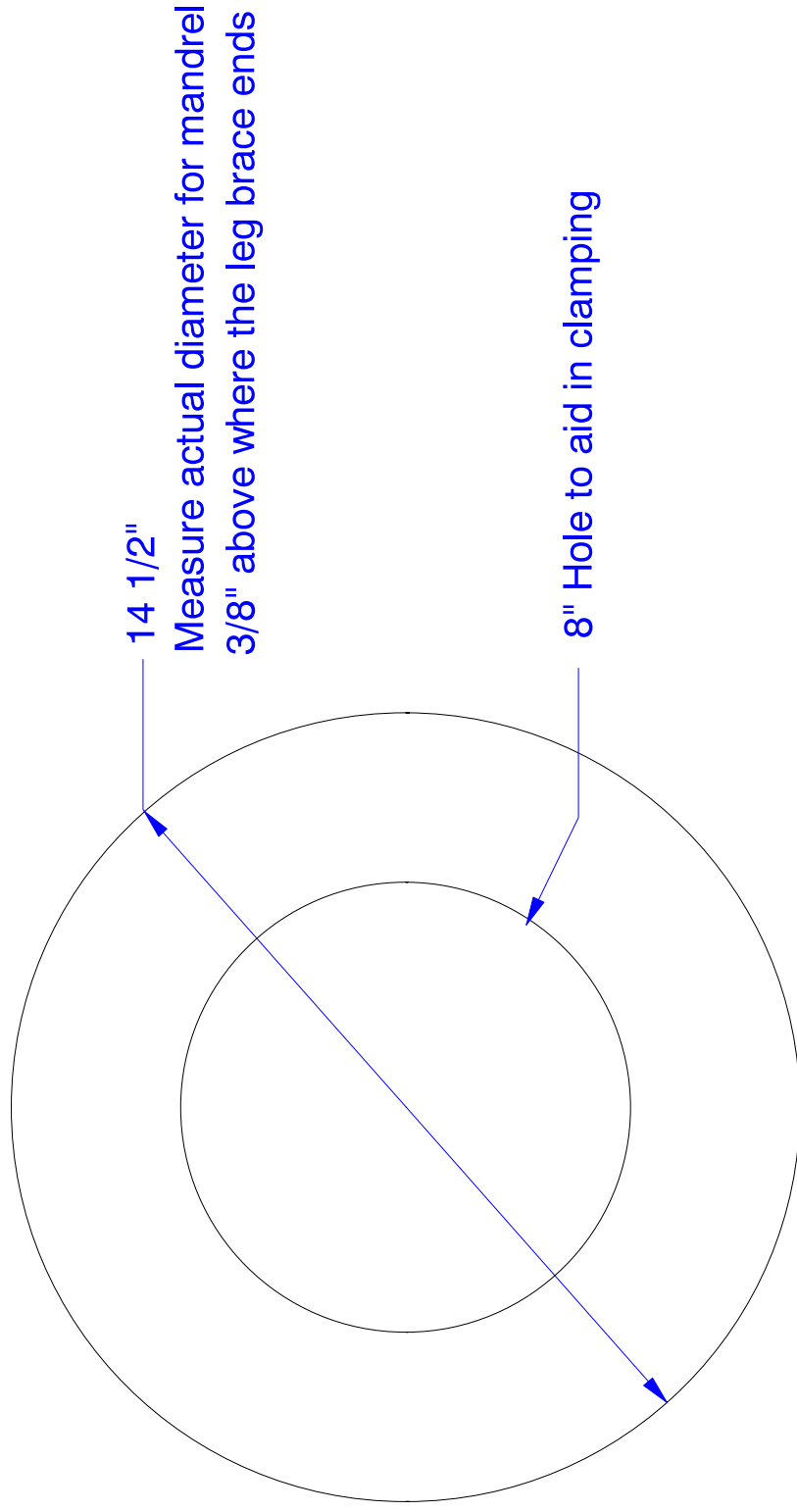
(1) Frame Top - 3/4" Plywood
Edgeband with White Oak



(1) Seat - 1 1/4" White Oak



Footrest Mandrel - 3/4" thick plywood or MDF



Footrest hoop - laminate from 7/8" x 1/8" thick oak strips

