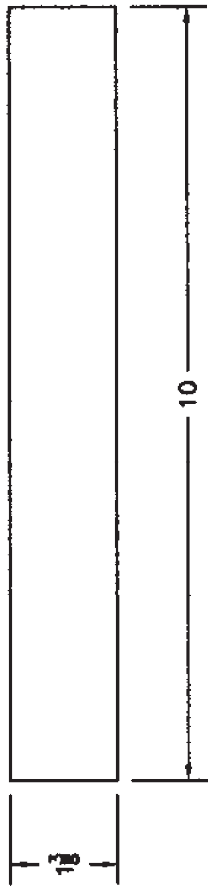
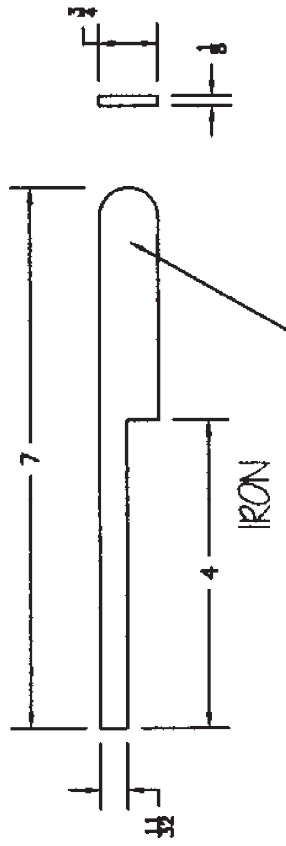


BODY

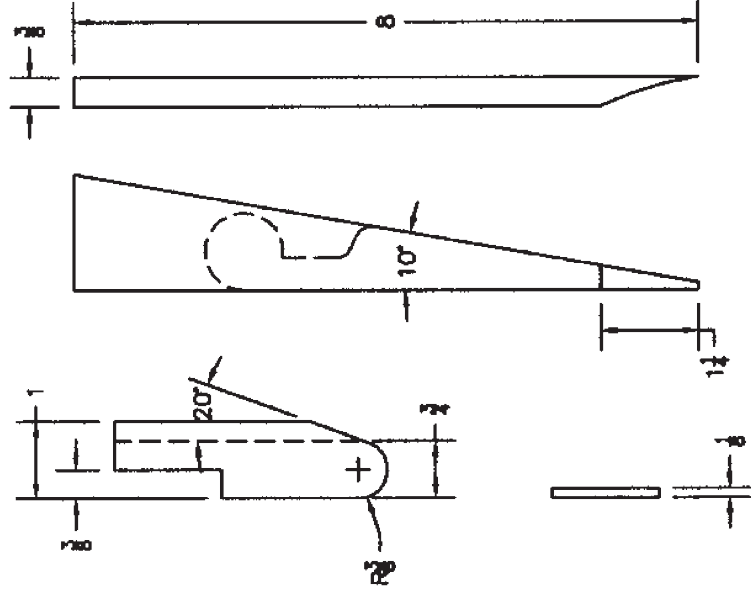


SIDE PLATE



IRON

DETERMINE SHAPE OF CUTTING EDGE
FROM SOLE OF THE PLANE.
BEVEL ANGLE: 45 DEG.



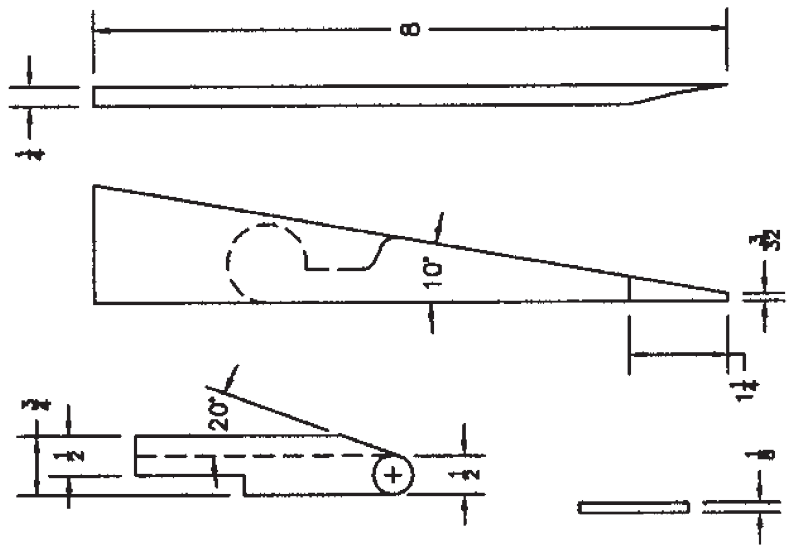
WEDGE

TRIM TO SHAPE AFTER ASSEMBLY

ROUND BOTTOM
MOULDING PLANE

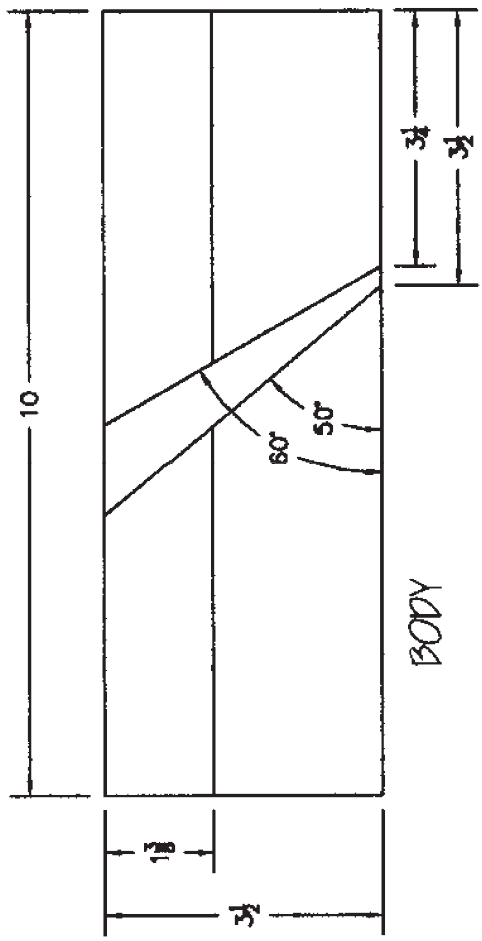
3/8" RADIUS
02/12/05

BODY, SIDE PLATE, AND WEDGE: HARD MAPLE
IRON: O-1 TOOL STEEL

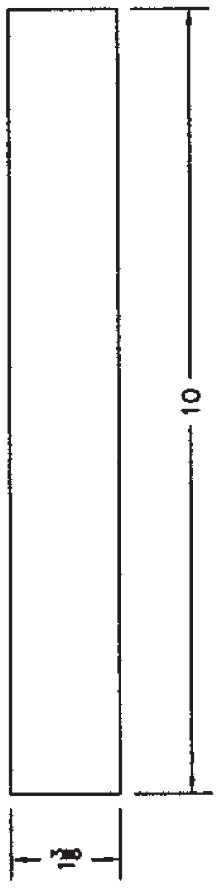


WEDGE
TRIM TO SHAPE AFTER ASSEMBLY

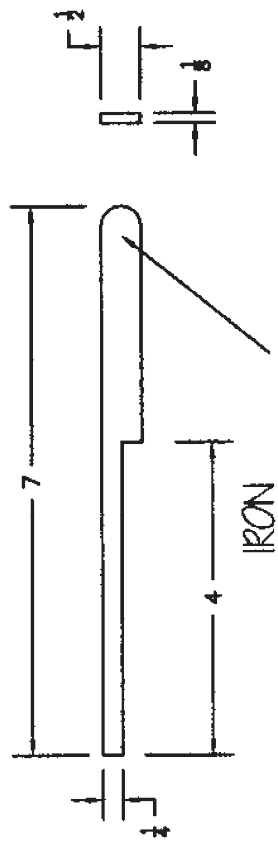
ROUND BOTTOM
MOULDING PLANE
1/4" RADIUS
02/12/05



BODY, SIDE PLATE, AND WEDGE: HARD MAPLE
IRON: 0-1 TOOL STEEL



SIDE PLATE



IRON
DETERMINE SHAPE OF CUTTING EDGE
FROM SOLE OF THE PLANE.
BEVEL ANGLE: 45 DEG.