



SUBMERSIBLE
AERATORS



AER-GS

FIXED LOW-SPEED SUBMERSIBLE AERATOR/MIXER



SFA
enviro

FIXED LOW-SPEED SUBMERSIBLE
AERATOR/MIXER

Aquaturbo

MAIN CHARACTERISTICS

Totally independent Aerator and Mixer. Air Provided by Blower with Variable Frequency Drive which can regulate oxygen supply from zero to maximum capacity; whilst retaining full mixing and oxygen dispersion capability therefore the units are ideal for SBR ASP & MBR applications.



ADVANTAGES

ACTIVATED SLUDGE + AEROBIC DIGESTION

NITRIFICATION/DENITRIFICATION

SBR + MBR - OXYGEN PROVISION

ALSO IDEAL FOR DEEP TANKS UP TO 9M +
HIGH MLSS

INDEPENDENT AERATION + MIXING

HIGH OXYGEN TRANSFER EFFICIENCY +
DISPERSION

INTENSIVE LOW ENERGY TO VOLUME MIXING

NON-CLOGGING + MINIMAL BUBBLE COALESCENCE



COMPONENTS

- 1.1 - 30kW Drive Motors
- 10 - 42rpm, Geared Drive Speeds
- 350 - 3,250m³/h Airflow
- AISI 304/316 or Special SS

OPTIONS

- Available as Submersible Drive or Bridge Mounted Drive with extended shaft
- Fixed bridge + Floor-mounted
- Vertical Operation only
- One x Submerged or Surface drive
- Fixed or Variable Water Levels accommodated



3D AER-GS BRIDGE CUTOUT

RANGE

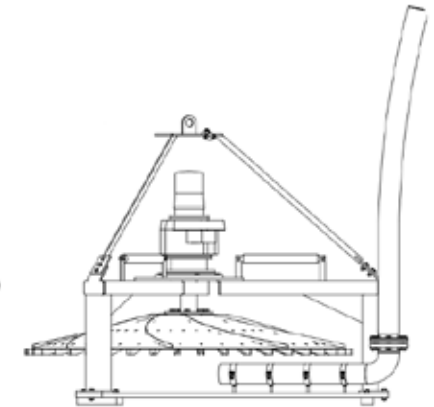
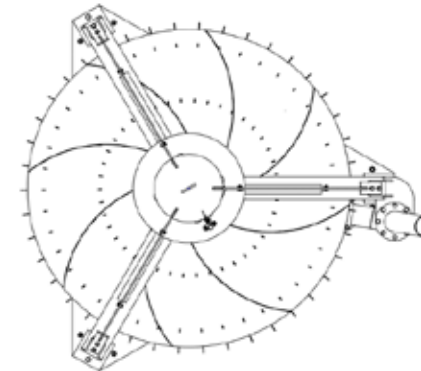
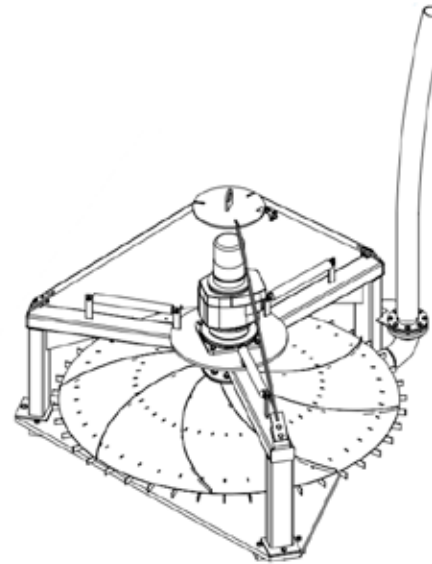
- 1,5 TO 40 HP
- 10 - 42 rpm, geared drive
- 200 - 1900 ft³ / min Airflow
- AISI 304 / 316 or special SS

APPLICATIONS

- Activated - sludge + aerobic digestion
- Nitrification / denitrification
- SBR + MBR - Oxygen regulation
- Ideal for deep tanks + high MLSS

Motor Power	Impeller diameter	R.P.M.	Maximum Airflow
50 HP	91"	47,3	1199 CFM
40 HP	91"	42	1094 CFM
30 HP	91"	37,6	920 CFM
25 HP	91"	35	825 CFM
20 HP	91"	32,4	727 CFM
15 HP	91"	29,4	533 CFM
10 HP	79"	31,7	399 CFM
7,5 HP	79"	30,6	368 CFM
5 HP	79"	27,2	338 CFM
4 HP	59" - 79"	34,1 - 23,9	148 - 289 CFM
3 HP	59"	33	115 CFM

All values are indicative. Aquasystems International N.V. reserves the right to adjust these values at any time.



A STEP AHEAD IN WATER TECHNOLOGY

sfa-enviro.com

 [@sfa_enviro](https://twitter.com/sfa_enviro)



RANGE

- 1,5 TO 40 HP
- 10 - 42 rpm, geared drive
- 200 - 1900 ft³ / min Airflow
- AISI 304 / 316 or special SS

APPLICATIONS

- Activated - sludge + aerobic digestion
- Nitrification / denitrification
- SBR + MBR - Oxygen regulation
- Ideal for deep tanks + high MLSS

Motor Power	Impeller diameter	R.P.M.	Maximum Airflow
50 HP	91"	47,3	1199 CFM
40 HP	91"	42	1094 CFM
30 HP	91"	37,6	920 CFM
25 HP	91"	35	825 CFM
20 HP	91"	32,4	727 CFM
15 HP	91"	29,4	533 CFM
10 HP	79"	31,7	399 CFM
7,5 HP	79"	30,6	368 CFM
5 HP	79"	27,2	338 CFM
4 HP	59" - 79"	34,1 - 23,9	148 - 289 CFM
3 HP	59"	33	115 CFM

All values are indicative. Aquasystems International N.V. reserves the right to adjust these values at any time.

