

DECANTERS

AQUADECANT® AD

FLOATING DECANTER

SFA
enviro

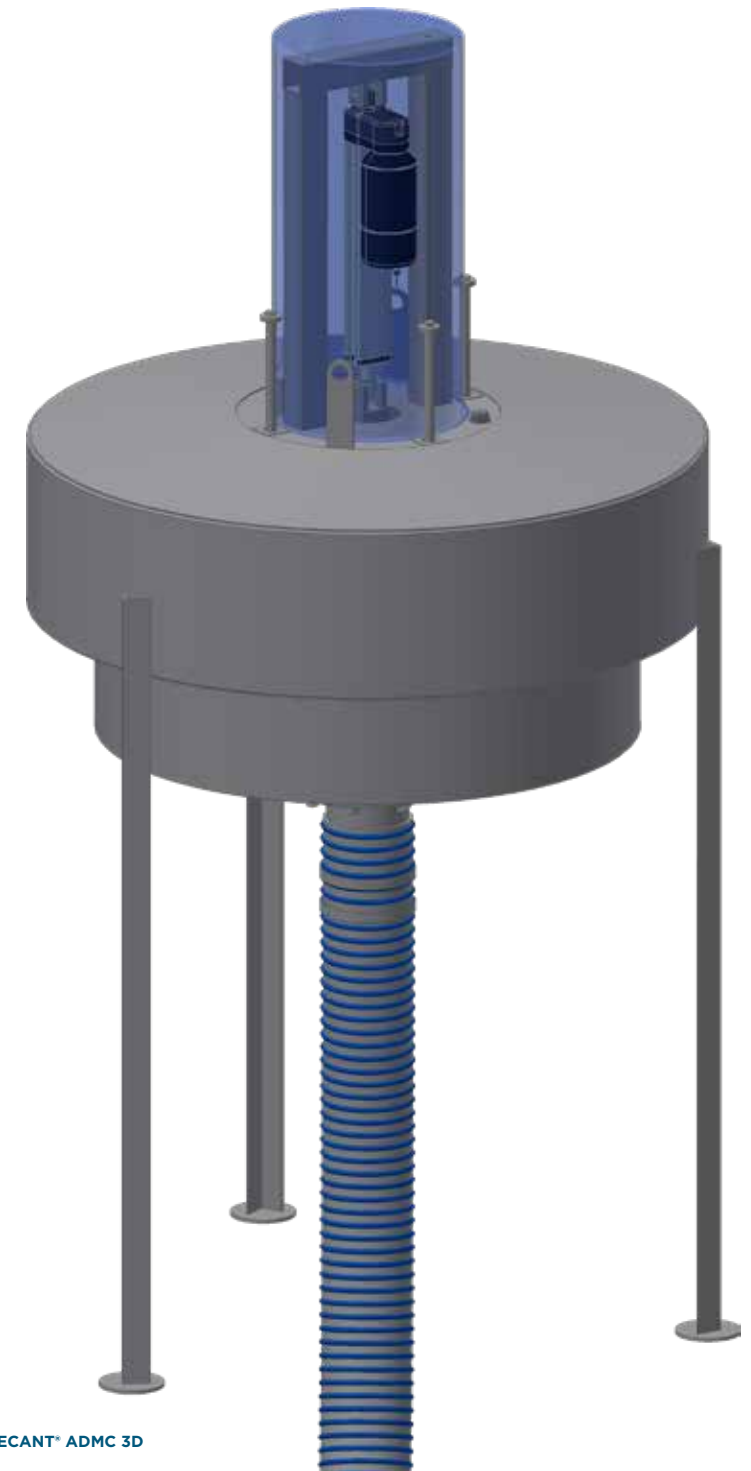
FLOATABLES REMOVING
SYSTEMS

Aquaturbo



MAIN CHARACTERISTICS

Discharges the volume of clean water without disturbing the sludge blanket or floatable materials on the surface. Ideal for the SBR Process, Sludge Settling Tanks, Sludge Thickeners plus the general decanting process.



AQUADECANT® ADMC 3D

ADVANTAGES

CAN ALSO BE EQUIPPED WITH A PUMP WHICH ALLOWS TO TRANSFER THE WATER FROM THE SBR TO A BASIN LOCATED AT A HIGHER LEVEL

MINIMAL SLUDGE BLANKET DISRUPTION

ADJUSTABLE FLOW RATE

AVOIDS DISCHARGE OF FLOATABLE MATERIALS

STRAIGHTFORWARD DESIGN + INSTALLATION

COMPONENTS

- Comprises of a Stainless-Steel float
- Circular Type - 10 to 150 m³/h Capacity
- Rectangular Type - 150 to 3,000 m³/h Capacity
- Custom manufactured
- AISI 304/316 or special Materials

OPTIONS

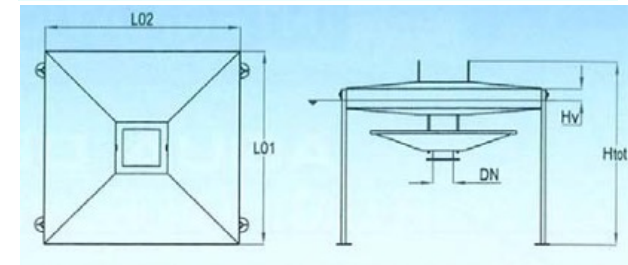
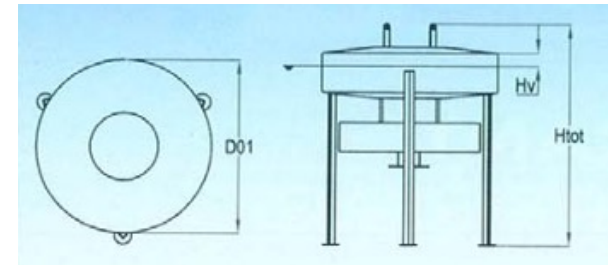
- Gravity and pump options are available with mechanical actuation to close the weir during the aeration and mixing phases preventing wastewater or activated sludge entering the discharge pipe.
- Flexible hose + mooring cables with springs
- Flexible hose + guide rails
- Hinged discharge pipe
- Telescopic discharge pipe



AQUADECANT® 2017 BOORTMALT

FLOATING WEIR WITH DISCHARGE BY GRAVITY

TYPE AD	FLANGE CONNECTION	D01 (mm)	L01 (mm)	L02 (mm)	H _v (mm)	H _{total} * (mm)	MASS approx. (kg)
AD 50-G	1,5" - 5"	30	-	-	3,9	51	176
AD 150-G	3" - 6"	49	-	-	4,7	63	330
AD 300-G	6" - 10"	-	79	79	4,7	79	1,276
AD 800-G	10" - 14"	-	91	91	4,7	79	1,276
AD 1500-G	12" -	-	90	138	7,1	98	1,804

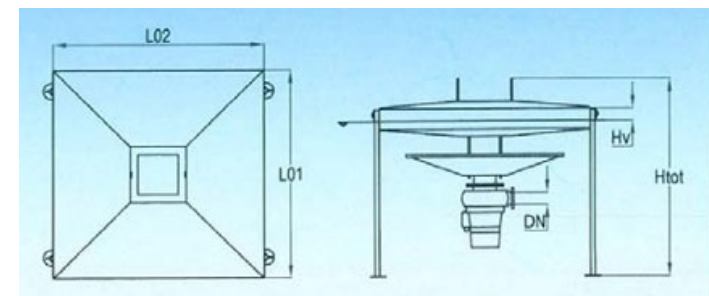
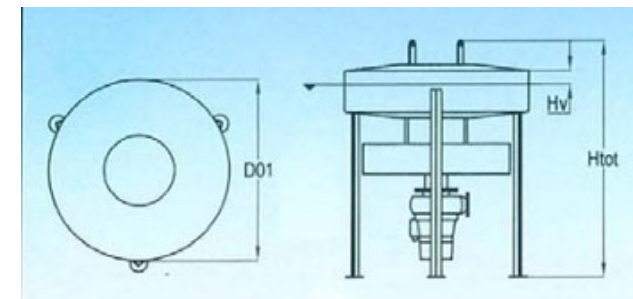


FLOATING WEIR WITH DISCHARGE BY PUMP

TYPE AD	FLANGE CONNECTION	D01 (mm)	L01 (mm)	L02 (mm)	H _v (mm)	H _{total} * (mm)	MASS approx. (kg)
AD 50-3/6	1,53 - 5"	30	-	-	2,4	59*	374**
AD 150-3/6	3" - 6"	49	-	-	3,1	71*	660**
AD 300-3/6	6" - 12"	-	79	79	3,1	98*	2,486**
AD 800-3/6	10" - 14"	-	91	91	3,1	98*	2,816**
AD 1500-3/6	12" -	-	90	138	3,9	110	5,060**

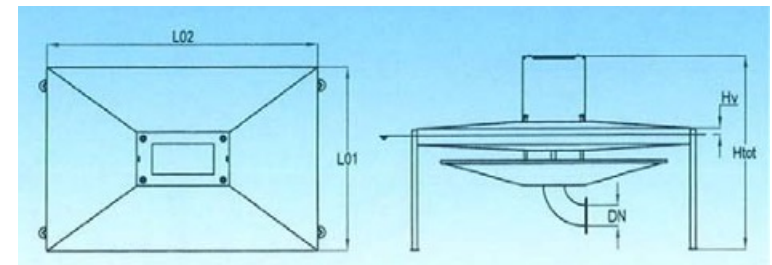
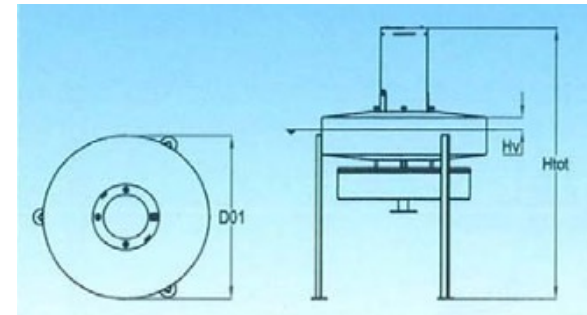
* Depends on the type of discharge system. Extended supports are possible to stand on the basin floor at minimum water level.

** Depends on the type of pump.



FLOATING MECHANICALLY CLOSING WEIR WITH DISCHARGE BY GRAVITY

TYPE AD	FLANGE CONNECTION	D01 (mm)	L01 (mm)	L02 (mm)	H _v (mm)	H _{total} * (mm)	MASS approx. (kg)
ADMC-A 150-G	3" - 6"	49	-	-	4,7	83	418
ADMC-A 300-G	6" - 12"	-	79	79	5,1	98	1,342
ADMC-A 800-G	10" - 14"	-	91	91	5,5	102	1,628
ADMC-A 1500-G	14" - 16"	-	90	138	5,9	122	1,837

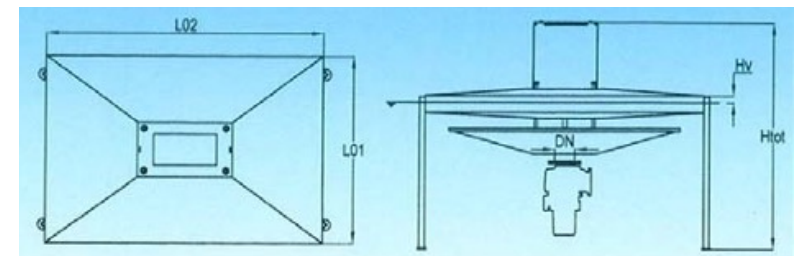
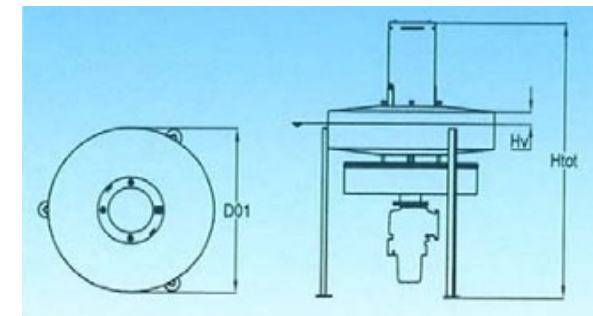


FLOATING MECHANICALLY CLOSING WEIR WITH DISCHARGE BY PUMP

TYPE AD	FLANGE CONNECTION	D01 (mm)	L01 (mm)	L02 (mm)	H _v (mm)	H _{total} * (mm)	MASS approx. (kg)
ADMC-A 150-3/6	3" - 6"	49	-	-	4,7	83*	748**
ADMC-A 300-3/6	6" - 8"	-	79	79	5,1	98*	1,892**
ADMC-A 800-3/6	8" - 10"	-	91	91	5,5	102*	3,168**
ADMC-A 1500-3/6	10" - 12"	-	90	138	5,9	122*	3,817**

* Depends on the type of discharge system. Extended supports are possible to stand on the basin floor at minimum water level.

** Depends on the type of pump.



A STEP AHEAD IN WATER TECHNOLOGY

sfa-enviro.com

 [@sfa_enviro](https://twitter.com/sfa_enviro)

