



MIXING

# MIX-AS

FLOATING DOWNDRAFT MIXER



SFA  
enviro

PROVIDE INTENSIVE RADIAL,  
SUB-SURFACE MIXING  
PATTERN

FOR VARIOUS PROCESS  
REQUIREMENTS

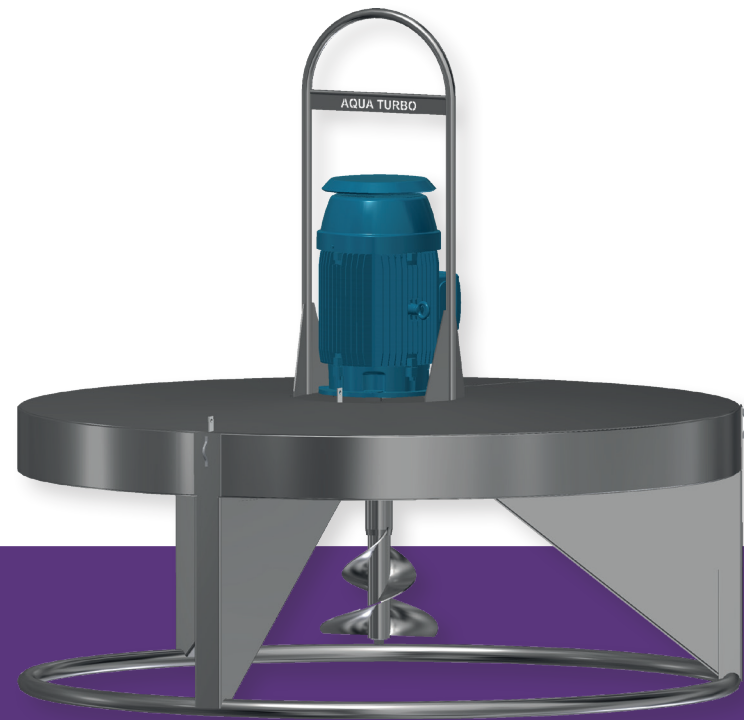
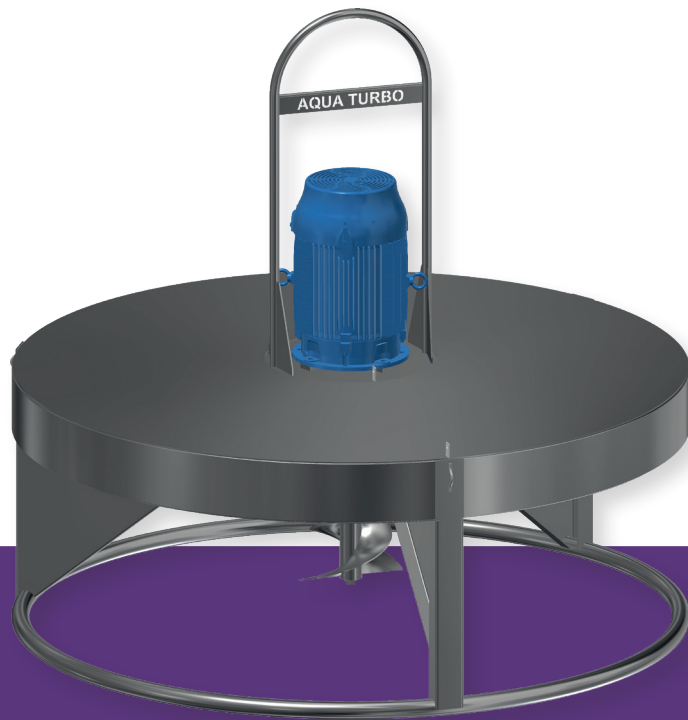
ADAPTABLE TO MOST TANK  
CONFIGURATIONS



Aquaturbo

## MAIN CHARACTERISTICS

Open, two-bladed helical impeller providing intensive radial, sub-surface mixing pattern with minimal surface disturbance and extremely low power to volume performance



## ADVANTAGES

GENERAL-PURPOSE MIXER ADAPTABLE TO MOST TANK CONFIGURATIONS PLUS APPLICATIONS AND EASILY POSITIONED FOR VARIOUS PROCESS REQUIREMENTS

SIMPLE, ROBUST, AND RELIABLE

NON-CLOGGING, NO SHEERING ACTION IMPELLER

VIRTUALLY ZERO SURFACE TURBULENCE AND NO AEROSOLS

NO O<sub>2</sub> TRANSFER AND EASY TO INSTALL AND REMOVE

## COMPONENTS

- Turbulent 3D radial mixing pattern
- 1.5 - 55kW Motor Range
- 4 + 6-Pole Speeds, Direct Drive Motor
- AISI 304/316 or other SS

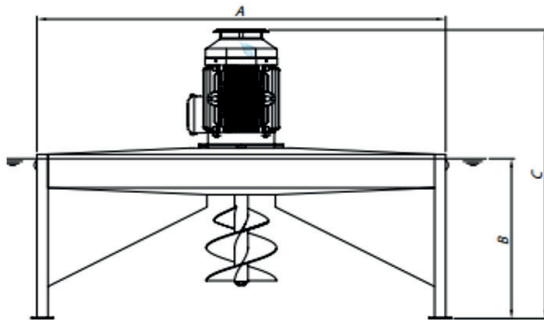
## OPTIONS

- Float Mounted only
- Vertical Operation only
- One x Surface Drive
- Fixed or Variable Water Levels



# RANGE

- 2 - 75 HP
- 4 + 6 -Pole Speeds, direct drive
- Standard motor
- AISI 304 /316 or special SS



# APPLICATIONS

- General mixing of lagoons, bassins + tanks
- Activated-sludge processes
- Extreme water temperature variations
- Dentrification + SBR

Model MIX - AS	HP	Total Height (A)	Submerged Height (B)	Float Diameter (C)	Weight (lbs)
<b>Series 30 - 1800RPM</b>					
<b>0075-30</b>	1	33	19	40	195
<b>0110-30</b>	1,5	33	19	49	225
<b>0150-30</b>	2	34	20	49	245
<b>0220-30</b>	3	39	20	59	345
<b>0400-30</b>	5	40	21	59	380
<b>0550-30</b>	7,5	42	21	59	445
<b>0750-30</b>	10	44	23	59	455
<b>1100-30</b>	15	48	23	79	785
<b>1500-30</b>	20	50	24	79	790
<b>1850-30</b>	25	56	26	79	870
<b>2200-30</b>	30	58	27	79	940
<b>3000-30</b>	40	61	28	79	1040
<b>Series 20 - 1200RPM</b>					
<b>0220-20</b>	3	46	24	59	480
<b>0300-20</b>	4	46	25	59	515
<b>0400-20</b>	5	46	25	59	578
<b>0550-20</b>	7,5	49	26	79	740
<b>0750-20</b>	10	53	27	79	870
<b>1100-20</b>	15	57	28	91	990
<b>1500-20</b>	20	61	33	91	1080
<b>1850-20</b>	25	60	32	91	1445
<b>2200-20</b>	30	60	32	91	1515
<b>3000-20</b>	40	66	35	91	1685
<b>3700-20</b>	50	67	36	118	2030
<b>4500-20</b>	60	73	39	118	2445
<b>Series 15 - 900RPM</b>					
<b>0550-15</b>	7,5	50	28	79	880
<b>0750-15</b>	10	56	30	79	1000
<b>1100-15</b>	15	57	31	91	1150
<b>1500-15</b>	20	63	33	91	1200
<b>1850-15</b>	25	65	34	91	1290
<b>2200-15</b>	30	68	37	91	1320
<b>3000-15</b>	40	69	39	118	1450
<b>3700-15</b>	50	75	41	118	1980
<b>4500-15</b>	60	81	43	118	2620
<b>5500-15</b>	75	82	44	118	2640
<b>7500-15</b>	100	106	60	118	3422

All values are indicative. Aquasystems International N.V. reserves the right to adjust these values at any time.

## A STEP AHEAD IN WATER TECHNOLOGY

[sfa-enviro.com](http://sfa-enviro.com)

 [@sfa\\_enviro](https://twitter.com/sfa_enviro)

 **SFA** GROUP

