

OFHP SERIE

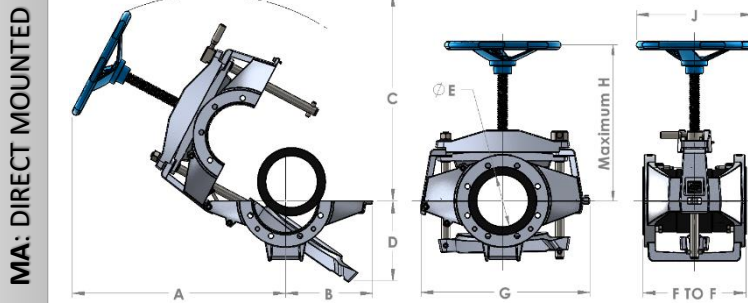


PRODUCT SPECIFICATIONS:

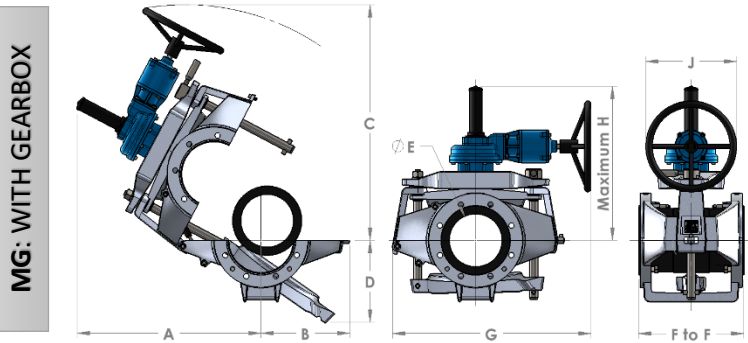
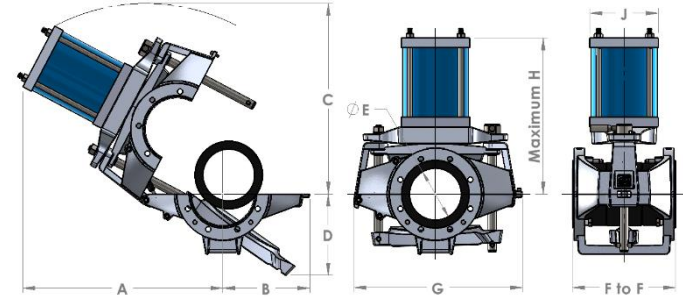
- Frame materials:
 - Cast Aluminum
- Sizes:
 - 3" to 12" or 80mm to 300mm
- Pressure category:
 - 150psi or 10bar
- Flanges:
 - ANSI or DIN, other standard available on request.
- Actuators:
 - Direct mounted handwheel
 - Handwheel with Gearbox
 - Pneumatic
 - Electric
 - Hydraulic ***on request only***
- Elastomere Sleeve:
 - Natural rubber
 - EPDM/ NSF 61
 - Neoprene
 - NBR
 - Polyurethane
 - Viton



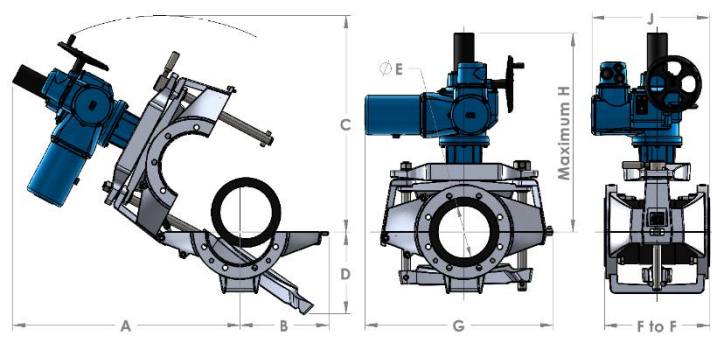
OFHP : Open Frame High Performance



PM: PNEUMATIC



EL: ELECTRIC



VALVE SIZE inch (mm)	F to F	A				B	C				D	WEIGHT lbs (kg)			
		MA	MG	PM	EL		MA	MG	PM	EL		MA	MG	PM	EL
3 (80)	8 (203)	21-5/16 (542)	(3)	19-3/8 ⁽⁴⁾ (492)	21-3/16 ⁽⁴⁾ (538)	9 (229)	20 (508)	(3)	17-11/16 ⁽⁴⁾ (450)	21-11/16 ⁽⁴⁾ (551)	6-15/16 (177)	49 (22)	(3)	57 ⁽⁴⁾ (26)	171 ⁽⁴⁾ (78)
4 (100)	10 (254)	24-9/16 (624)	(3)	23-5/16 ⁽⁴⁾ (593)	22-13/16 ⁽⁴⁾ (579)	10-3/4 (272)	23-1/8 (587)	(3)	21-7/16 ⁽⁴⁾ (545)	23-1/2 ⁽⁴⁾ (597)	8-1/16 (205)	81 (37)	(3)	97 ⁽⁴⁾ (44)	256 ⁽⁴⁾ (116)
6 (150)	12 (305)	31-7/8 (809)	25-7/16 (645)	28-3/16 ⁽⁴⁾ (716)	29-1/4 ⁽⁴⁾ (743)	12-1/2 (317)	30-9/16 (777)	29-1/8 (740)	25-7/16 ⁽⁴⁾ (647)	31-1/16 ⁽⁴⁾ (789)	10-11/16 (271)	104 (47)	315 (143)	128 ⁽⁴⁾ (58)	431 ⁽⁴⁾ (196)
8 (200)	16 (406)	33 (839)	28-13/16 (732)	31-11/16 ⁽⁴⁾ (809)	31-3/16 ⁽⁴⁾ (793)	13-1/2 (343)	31-15/16 (811)	31-3/16 (793)	30-1/4 ⁽⁴⁾ (768)	33-1/4 ⁽⁴⁾ (844)	12-9/16 (319)	145 (66)	391 (178)	203 ⁽⁴⁾ (92)	506 ⁽⁴⁾ (230)
10 (250)	20 (508)	(2)	34-1/16 (865)	39-1/8 ⁽⁴⁾ (994)	34-1/2 ⁽⁴⁾ (877)	16-5/16 (415)	(2)	36-5/8 (931)	35-13/16 ⁽⁴⁾ (910)	36-1/4 ⁽⁴⁾ (920)	15-11/16 (398)	(2)	613 (279)	334 ⁽⁴⁾ (152)	729 ⁽⁴⁾ (331)
12 (300)	24 (610)	(2)	39-15/16 (1014)	45-5/8 ⁽⁴⁾ (1159)	36-15/16 ⁽⁴⁾ (938)	19-3/8 (493)	(2)	43-1/4 (1099)	41-1/4 ⁽⁴⁾ (1048)	40-5/8 ⁽⁴⁾ (1032)	19-3/4 (502)	(2)	883 (401)	493 ⁽⁴⁾ (247)	992 ⁽⁴⁾ (451)

VALVE SIZE inch (mm)	E	G				H				J				MAX PRESSURE psi (bar)
		MA	MG	PM	EL	MA	MG	PM	EL	MA	MG	PM	EL	
3 (80)	3-1/8 (79)	17 (432)	(3)	17 ⁽⁴⁾ (432)	20-9/16 ⁽⁴⁾ (523)	15-1/2 (393)	(3)	17-1/16 ⁽⁴⁾ (434)	21-13/16 ⁽⁴⁾ (555)	12 (305)	(3)	6-1/2 ⁽⁴⁾ (165)	13-9/16 ⁽⁴⁾ (345)	150 (10)
4 (100)	4-1/8 (104)	20-1/2 (520)	(3)	20-1/2 ⁽⁴⁾ (520)	22-5/16 ⁽⁴⁾ (566)	18-1/16 (459)	(3)	20-9/16 ⁽⁴⁾ (522)	23-1/2 ⁽⁴⁾ (597)	12 (305)	(3)	7-1/2 ⁽⁴⁾ (191)	13-9/16 ⁽⁴⁾ (345)	150 (10)
6 (150)	6-1/8 (155)	24 (610)	24-1/16 (611)	24 ⁽⁴⁾ (610)	27-9/16 ⁽⁴⁾ (701)	22-3/16 (563)	28-11/16 (728)	24-15/16 ⁽⁴⁾ (634)	29 ⁽⁴⁾ (737)	22 (559)	7-7/8 (200)	8-1/2 ⁽⁴⁾ (216)	16-11/16 ⁽⁴⁾ (424)	150 ⁽¹⁾ (10)
8 (200)	8 (203)	26-1/8 (664)	26-3/16 (664)	26-1/8 ⁽⁴⁾ (664)	28-9/16 ⁽⁴⁾ (726)	24-11/16 (627)	32-1/4 (819)	29-3/16 ⁽⁴⁾ (741)	31-3/8 ⁽⁴⁾ (797)	22 (559)	7-7/8 (200)	10-5/8 ⁽⁴⁾ (270)	16-11/16 ⁽⁴⁾ (424)	150 ⁽¹⁾ (10)
10 (250)	10 (254)	(2)	31-7/8 (809)	31-7/8 ⁽⁴⁾ (809)	31-7/8 ⁽⁴⁾ (809)	(2)	32-1/2 (825)	36-1/16 ⁽⁴⁾ (916)	38-1/4 ⁽⁴⁾ (971)	(2)	11-13/16 (300)	12-3/4 ⁽⁴⁾ (324)	20 ⁽⁴⁾ (508)	100 (7)
12 (300)	12 (305)	(2)	38-15/16 (988)	38-5/16 ⁽⁴⁾ (973)	38-15/16 ⁽⁴⁾ (988)	(2)	37-13/16 (960)	41-15/16 ⁽⁴⁾ (1065)	41-1/8 ⁽⁴⁾ (1044)	(2)	15-3/4 (400)	14-3/4 ⁽⁴⁾ (375)	24 ⁽⁴⁾ (810)	100 (7)

NOTE: All dimensions are shown for reference only. Detailed dimension drawings are available upon request. Contact your distributor for more details.

- (1) Maximum working pressure is limited. Contact your distributor for more details.
- (2) For these sizes, the gearbox is recommended. Versions with a direct mounted wheel are available on request.
- (3) For these sizes, the gearbox is not recommended. Versions with gearbox are available on request.
- (4) These dimensions vary depending on the actuator selection. Contact your distributor for more details.



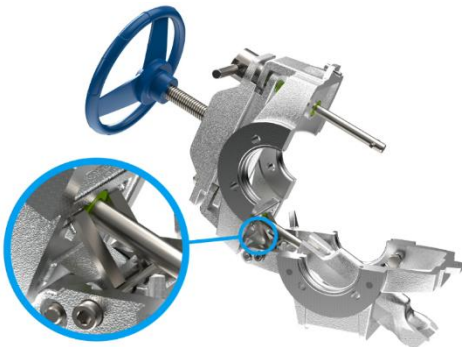
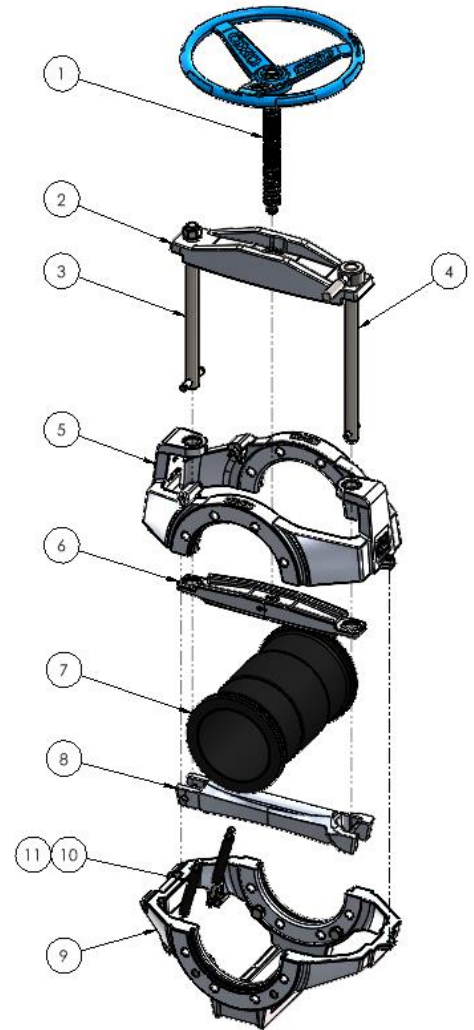
OXO VALVE inc.

530, rue des Actionnaires, Chicoutimi, Canada QC, G7J 5A9

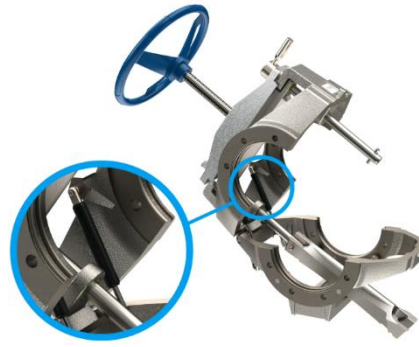
T : 418-437-3737 • F : 418-437-1530 • E-mail: info@oxovalve.com • Web: www.oxovalve.com

Exploded View

# ITEM	DESCRIPTION
1	ACTUATOR
2	CROSSPIECE
3	FIXED GUIDE ROD
4	OPENING HANDLE ASSEMBLY
5	UPPER BODY
6	UPPER COMPRESSION BAR
7	SLEEVE
8	LOWER COMPRESSION BAR
9	LOWER BODY
10	SAFETY LATCH
11	GAS SPRING



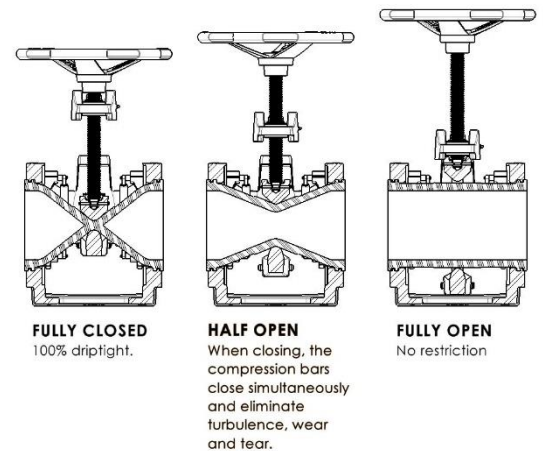
ITEM #10 - SAFETY LATCH



ITEM #11 - GAS SPRING

ADVANTAGES:

- ❖ Provides good visibility of the sleeve and valve closure system.
- ❖ Fully tight closed system with no flow restrictions.
- ❖ Both compression bars close simultaneously.
- ❖ Extremely safe valves requiring no adjustments.
- ❖ Full-bore sleeve design.
- ❖ Maintenance performed directly on the piping system.
- ❖ Robust and efficient design.



OXO VALVE inc.

530, rue des Actionnaires, Chicoutimi, Canada QC, G7J 5A9

T : 418-437-3737 • F : 418-437-1530 • E-mail: info@oxovalve.com • Web: www.oxovalve.com