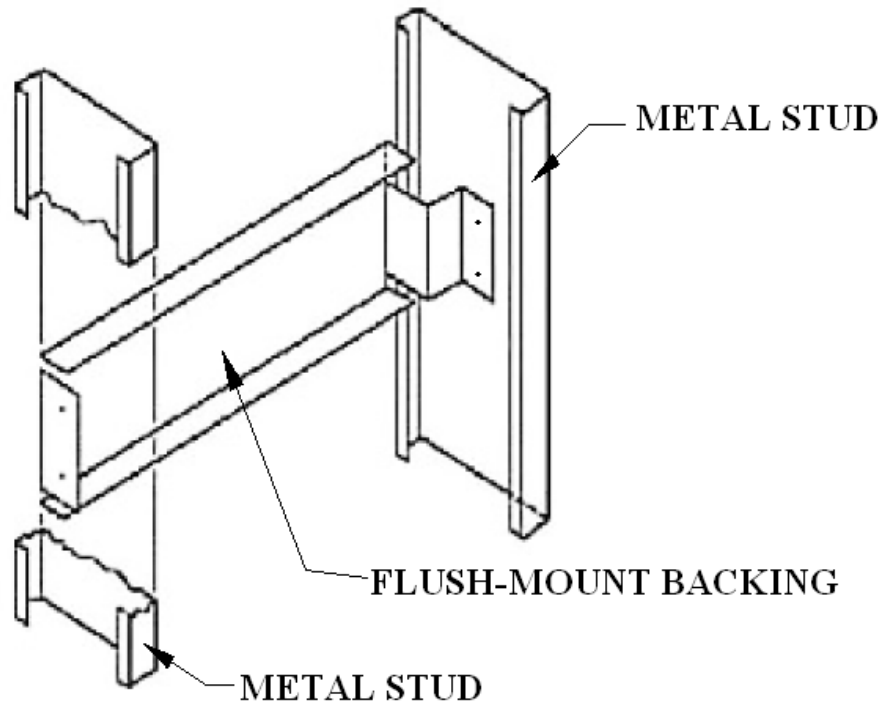


OLMAR SUPPLY INC.

FLUSH-MOUNT BACKING 16" AND 24" ON CENTER



Flush-Mount Backing is available in sizes: 6", 8", 10" and is manufactured using certified steel order to specification **ASTM A653 HOT DIP GALVANIZED STEEL SHEET COILS**. All sizes are available in 54MIL and 68MIL GRADE50 with minimum G-60 COATING. Special orders are available in 7GA Galvanized GRADE 50 and G-60 minimum coating.