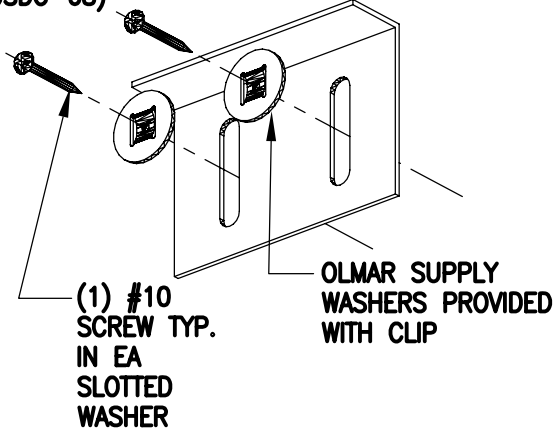
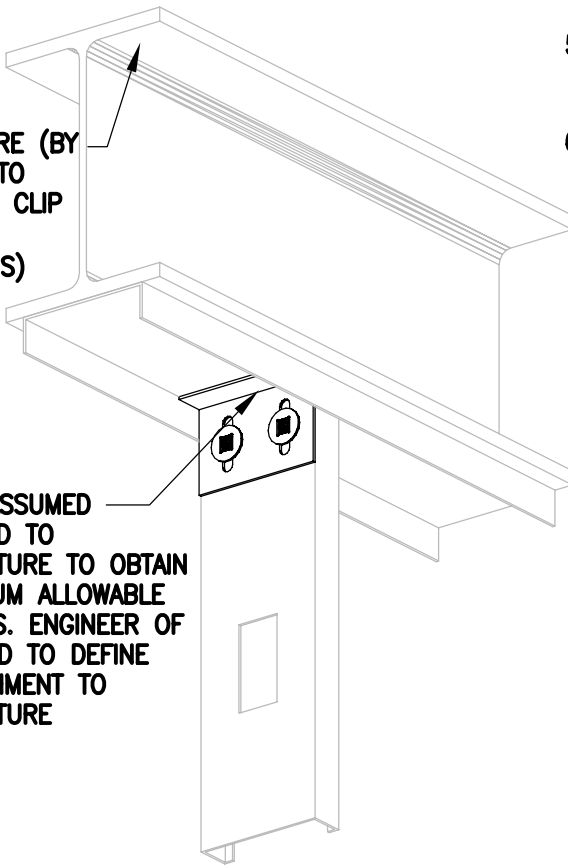


68 MIL SLOTTED DEFLECTION CLIP (XXXSDC-68). XXX DENOTES THE STUD WIDTH. (EX: 4" STUD USES 400SDC-68)

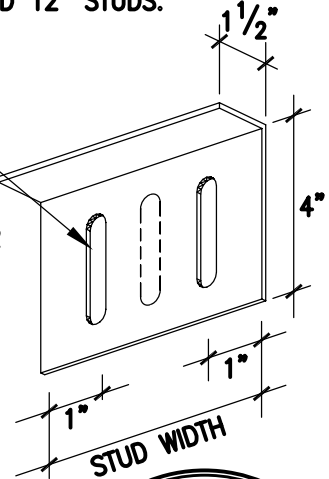


STRUCTURE (BY OTHERS TO SUPPORT CLIP LATERAL REACTIONS)



0.53"Øx2 1/2" SLOT CENTERED IN LEG

\*AT THE CLIP FOR THE 8", 10", AND 12" STUDS, THE THIRD SLOT IS CENTERED IN THE CLIP

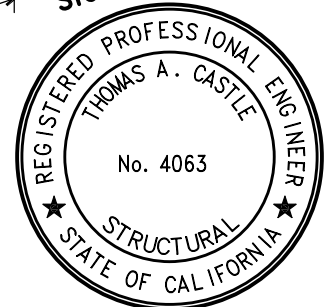


CAPACITY OF SCREW CONNECTION (2) #10	
STUD GA.	OUT OF PLANE LOAD (SHEAR) (LBS)
33	354
43	526
54	1,068
68	1,096
97	1,096

CAPACITY OF SCREW CONNECTION (3) #10	
STUD GA.	OUT OF PLANE LOAD (SHEAR) (LBS)
43	789
54	1,602
68	1,644
97	1,644

NOTES:

1. THE ALLOWABLE LOADS ARE BASED UPON A 33ksi YIELD STRESS OF THE STUD FOR 33 AND 43 MIL THICKNESS. FOR 54MIL AND THICKER THE YIELD STRESS IS ASSUMED AT 50 KSI.
2. THE STRENGTH OF THE SCREWS MUST BE AT LEAST 3.75 TIMES THE ALLOWABLE LOAD LISTED.
3. PENETRATION OF SCREWS THROUGH STUD SHALL NOT BE LESS THAN 3 EXPOSED THREADS.
4. SCREWS SHOULD BE INSTALLED AND TIGHTENED IN ACCORDANCE WITH SCREW MANUFACTURER'S RECOMMENDATIONS.
5. SHEAR VALUES ARE BASED UPON THE ALLOWABLE SCREW SHEAR VALUES LISTED IN THE 2009/2012 IBC COMPLIANT SSMA TECHNICAL GUIDE.
6. (2) VERTICAL SLOTS IN CLIP, AS SHOWN, ARE FOR 3-5/8", 4", AND 6" STUDS. (3) SLOTS ARE PROVIDED FOR CLIPS FOR 8", 10", AND 12" STUDS.



06/04/14

JOB No.: B14-081

1

**OLMAR SUPPLY INC.**  
2140 RESEARCH DRIVE  
LIVERMORE, CA 94550

**SLOTTED DEFLECTION CLIP (XXXSDC-68) DETAIL**

N.T.S.



**FICCADENTI WAGGONER and CASTLE**  
Structural Engineers

3100 Oak Road, Suite 390 • Walnut Creek, CA 94597  
Tel.: (925) 280-0098 Fax: (925) 280-0096 • www.fwcse.com