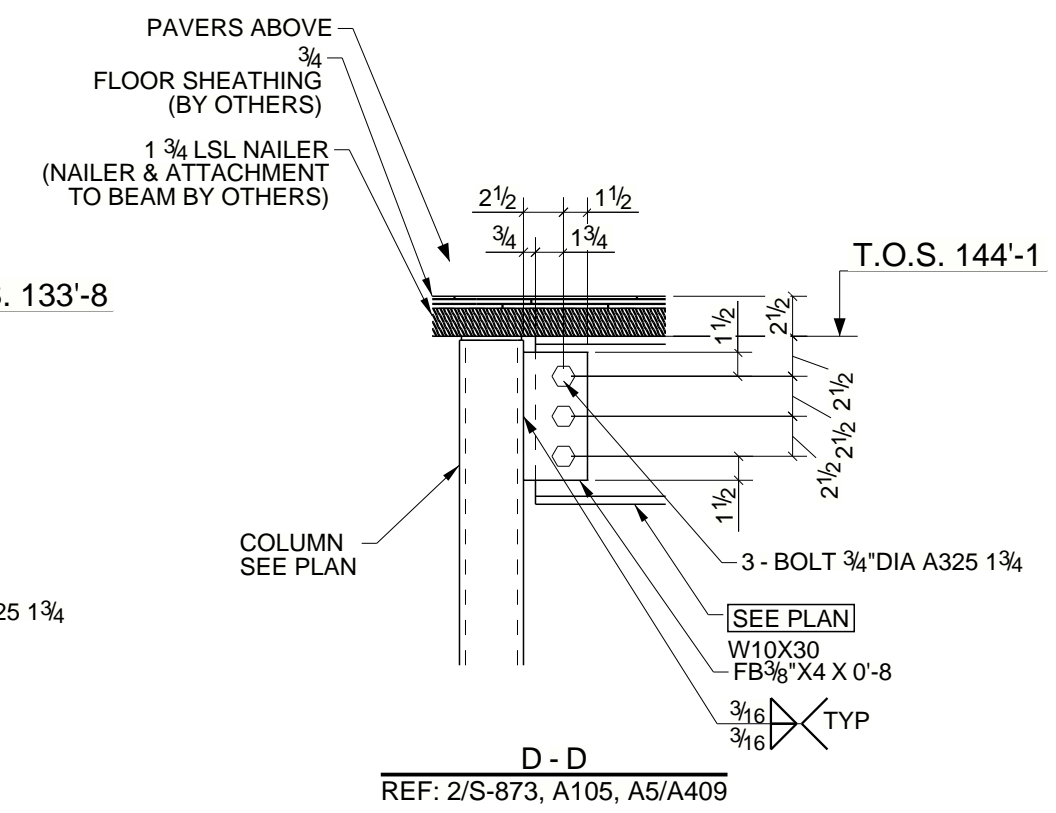
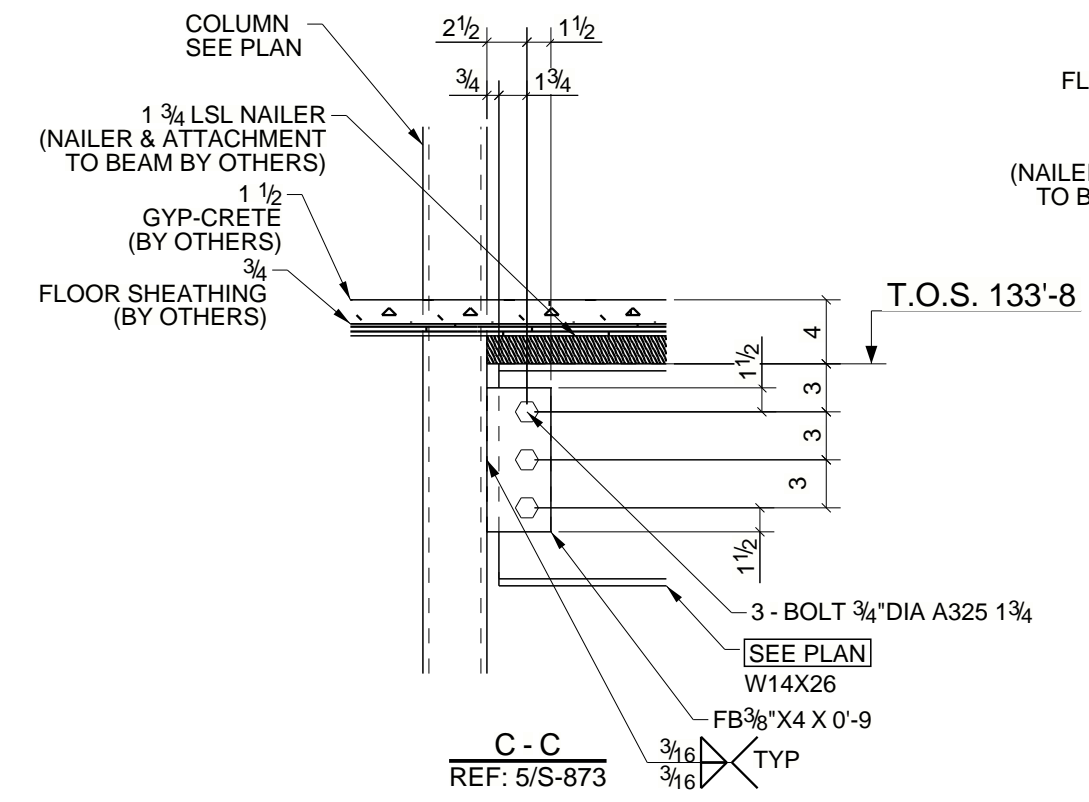


DELETED  
**B - B**  
REF: 3/S-330



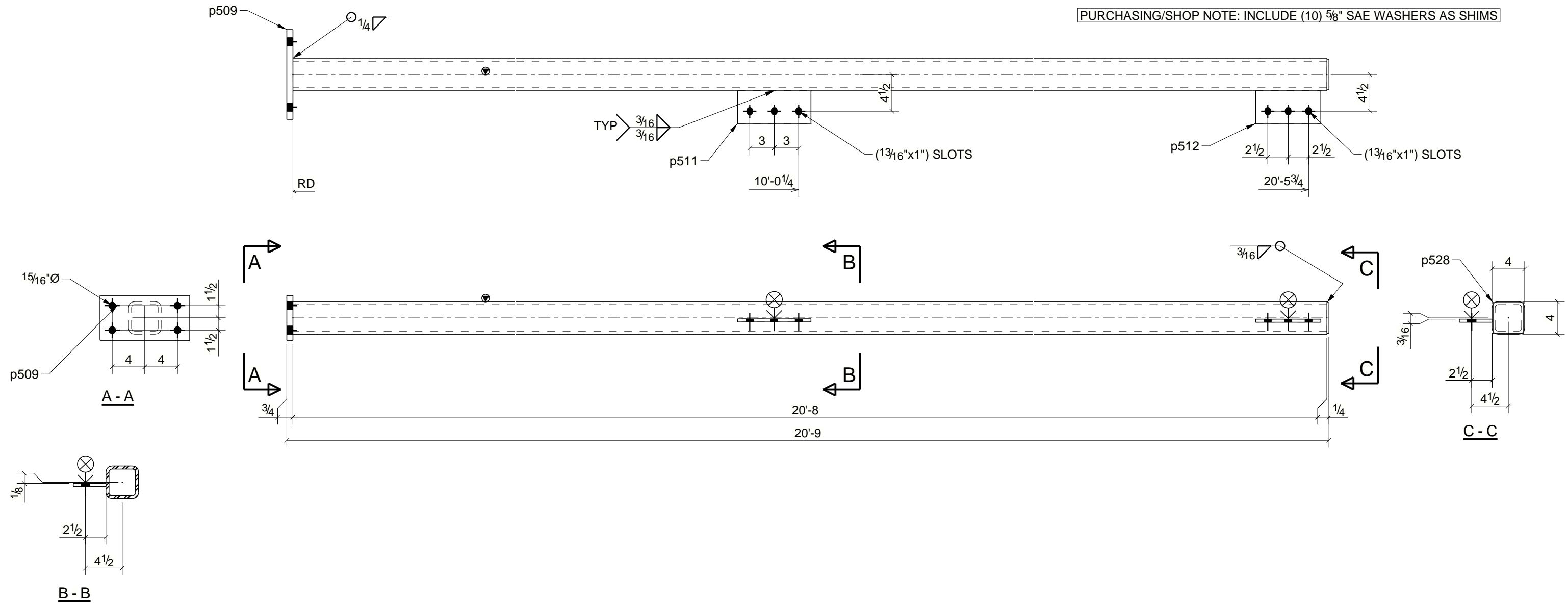
DELETED  
**E - E**  
REF: 5/S-873

QTY. SITE BOLTS LENGTH

# BILL OF MATERIAL

MARK	QTY	DESCRIPTION	LENGTH	WEIGHT	REMARKS
538A	1	COLUMN			
538A	1	HSS4X4X3/8	20'-8"	336	A500-GR.B
p509	1	FB3/4"X5 1/2"	0'-11"	13	A36
p511	1	FB3/8"X4"	0'-9"	4	A36
p512	1	FB3/8"X4"	0'-8"	3	A36
p528	1	FB1/4"X3 3/4"	0'-3 3/4"	1	A36
TOTAL WEIGHT THIS DRAWING				357	

PURCHASING/SHOP NOTE: INCLUDE (10) 5/8" SAE WASHERS AS SHIMS



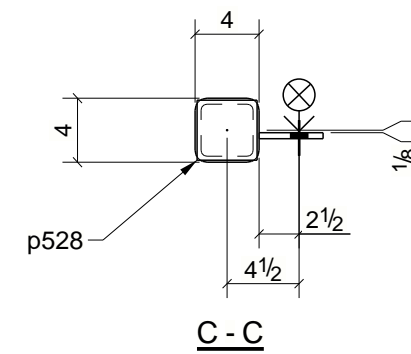
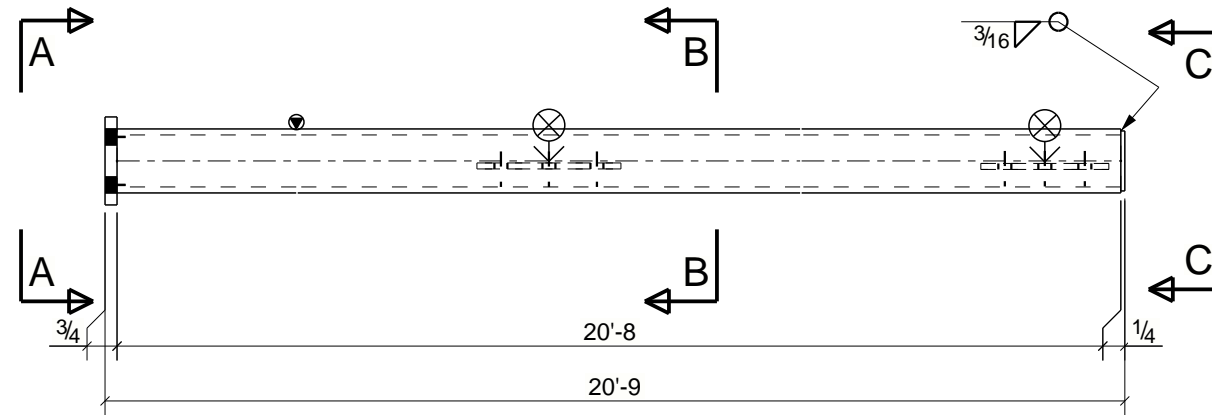
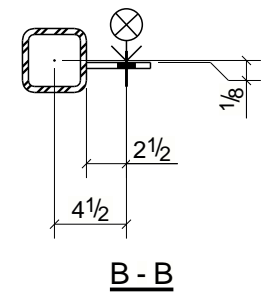
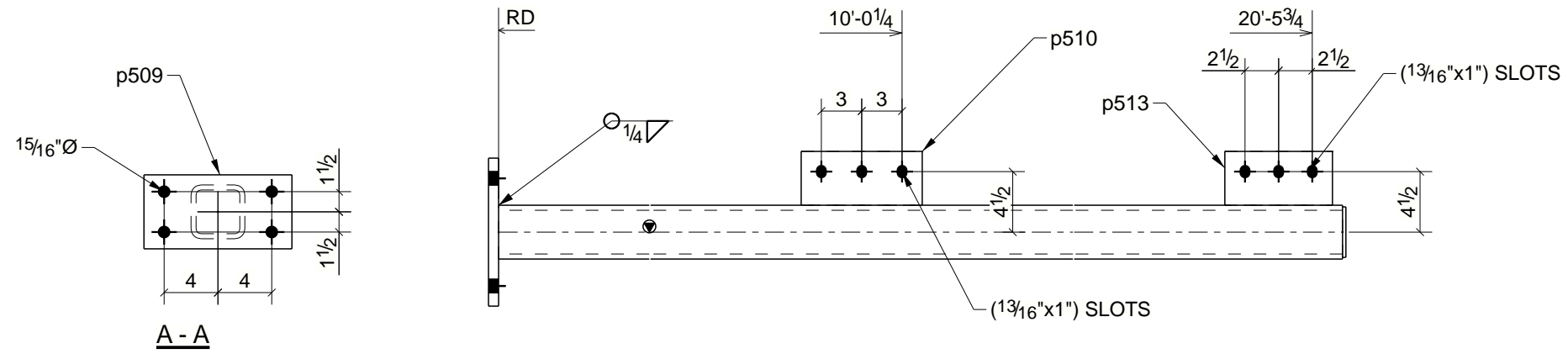
ONE - COLUMN - 538A

QTY. SITE BOLTS LENGTH

# BILL OF MATERIAL

MARK	QTY	DESCRIPTION	LENGTH	WEIGHT	REMARKS
539A	1	COLUMN			
539A	1	HSS4X4X3/8	20'-8"	336	A500-GR.B
p509	1	FB3/4"X5 1/2"	0'-11"	13	A36
p510	1	FB3/8"X4"	0'-9"	4	A36
p513	1	FB3/8"X4"	0'-8"	3	A36
p528	1	FB1/4"X3 3/4"	0'-3 3/4"	1	A36
TOTAL WEIGHT THIS DRAWING				357	

PURCHASING/SHOP NOTE: INCLUDE (10) 5/8" SAE WASHERS AS SHIMS

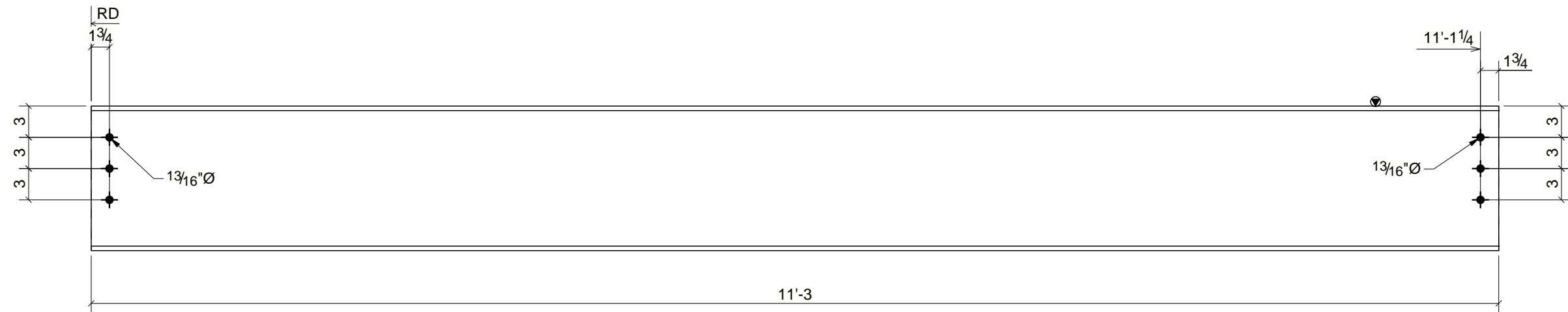


ONE - COLUMN - 539A

QTY.	SITE BOLTS	LENGTH
6	3/4"Ø A325N BOLT	1 3/4"

# BILL OF MATERIAL

MARK	QTY	DESCRIPTION	LENGTH	WEIGHT	REMARKS
541A	1	BEAM			
541A	1	W14X26	11'-3"	294	A992
TOTAL WEIGHT THIS DRAWING				294	

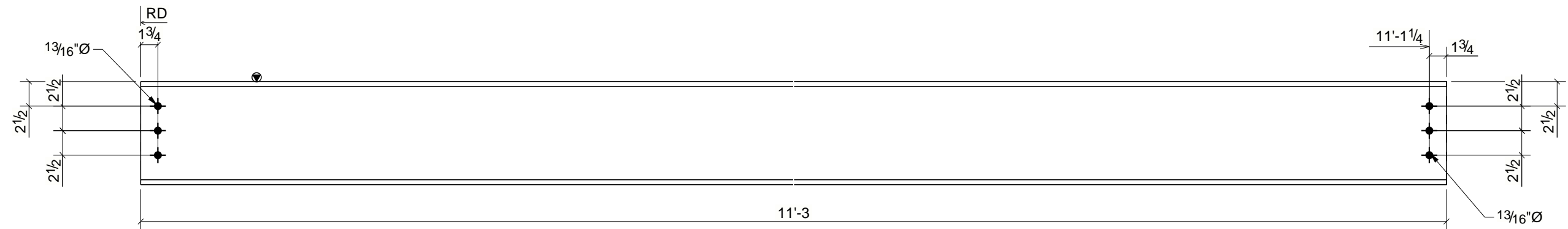


ONE - BEAM - 541A

QTY.	SITE BOLTS	LENGTH
6	3/4"Ø A325N BOLT	1 3/4"

# BILL OF MATERIAL

MARK	QTY	DESCRIPTION	LENGTH	WEIGHT	REMARKS
543A	1	BEAM			
543A	1	W10X30	11'-3"	338	A992
TOTAL WEIGHT THIS DRAWING				338	



ONE - BEAM - 543A