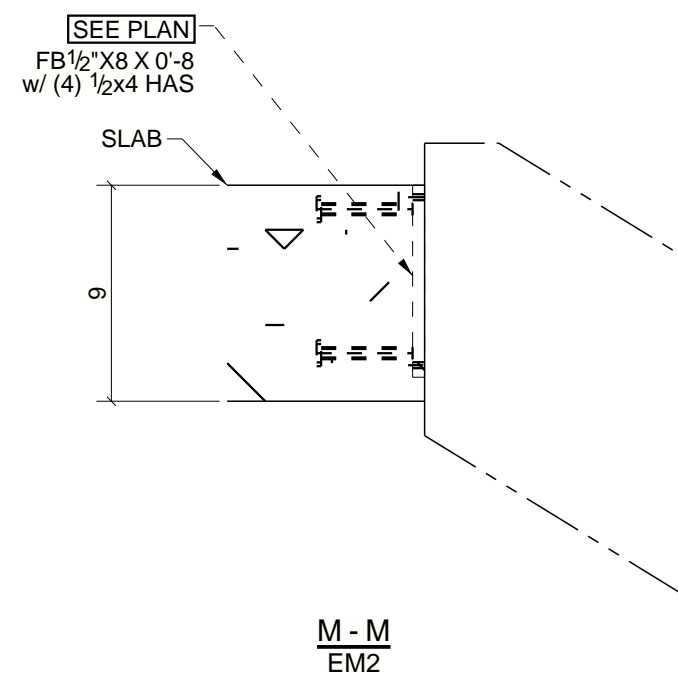
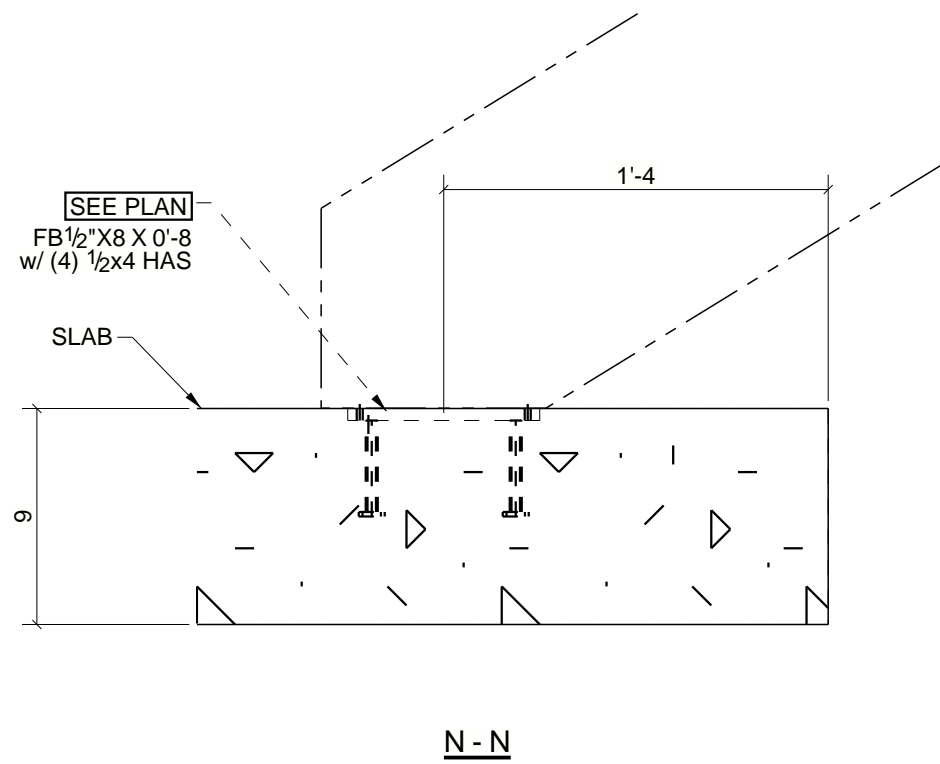


EMBED PLAN AT LEVEL 2
 REF: S-102, A102
 T.O. SLAB EL: 111'-5" U.N.O.



DELETED

P - P
EM2
REF: B4/A121

