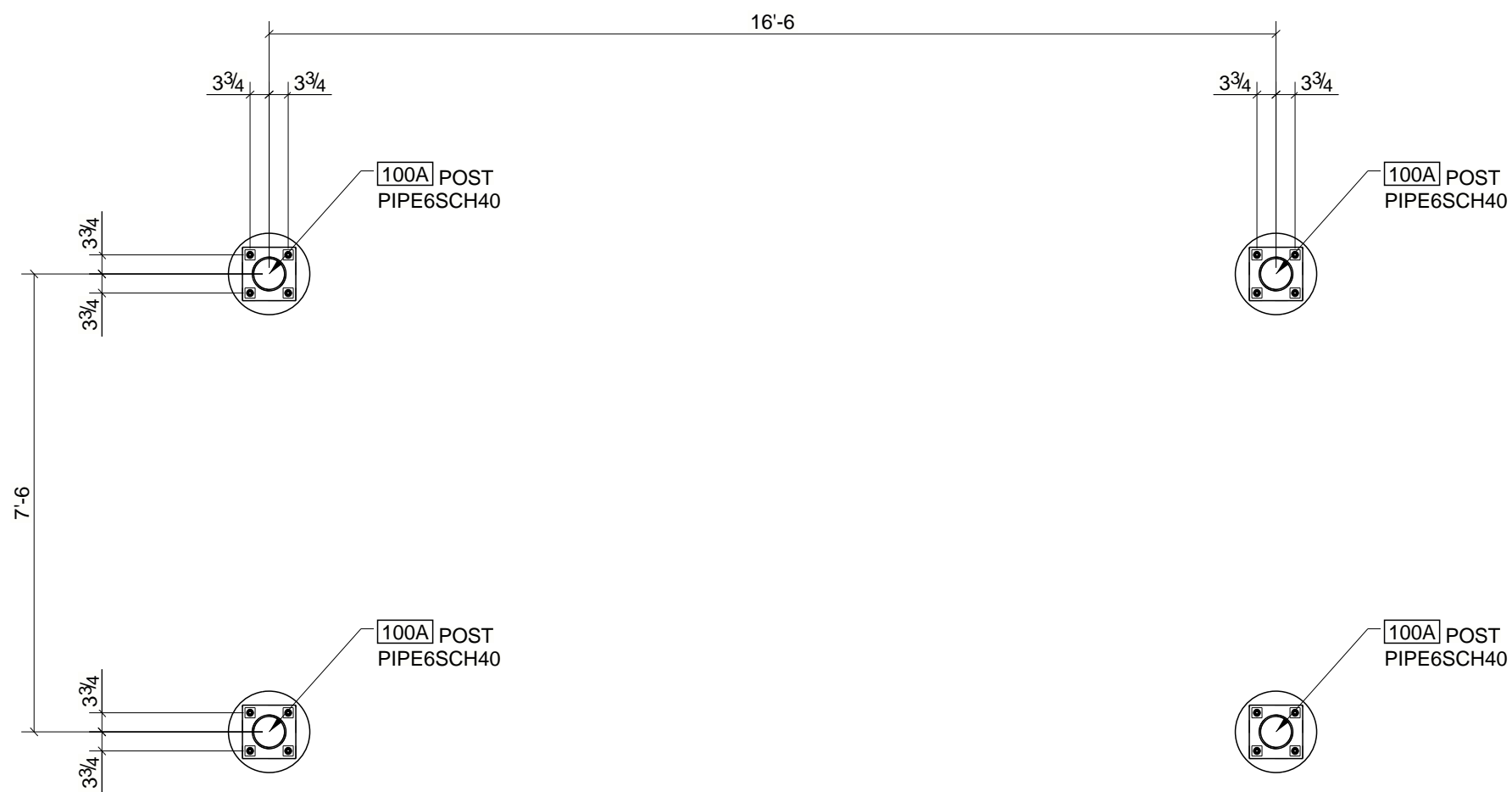
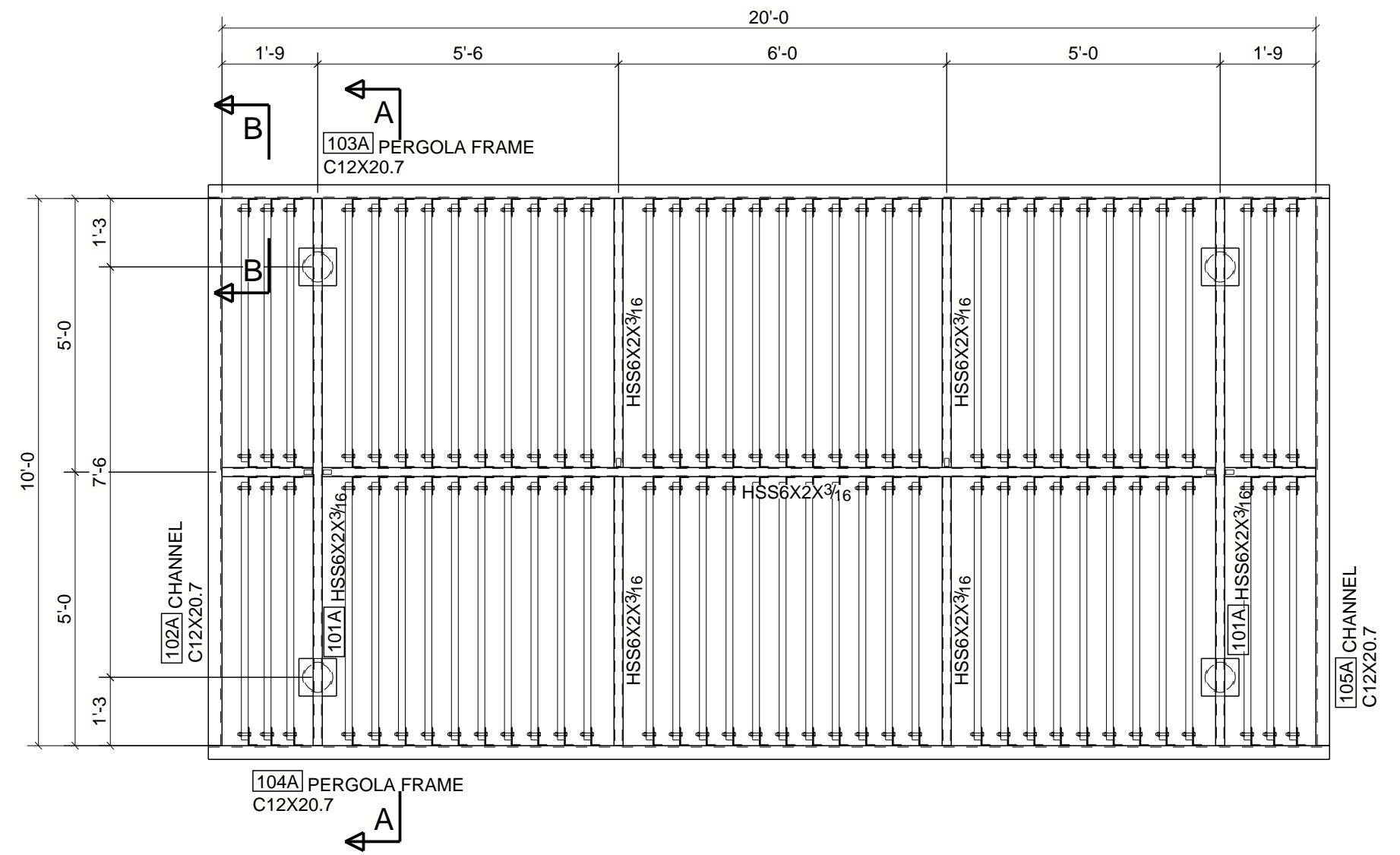


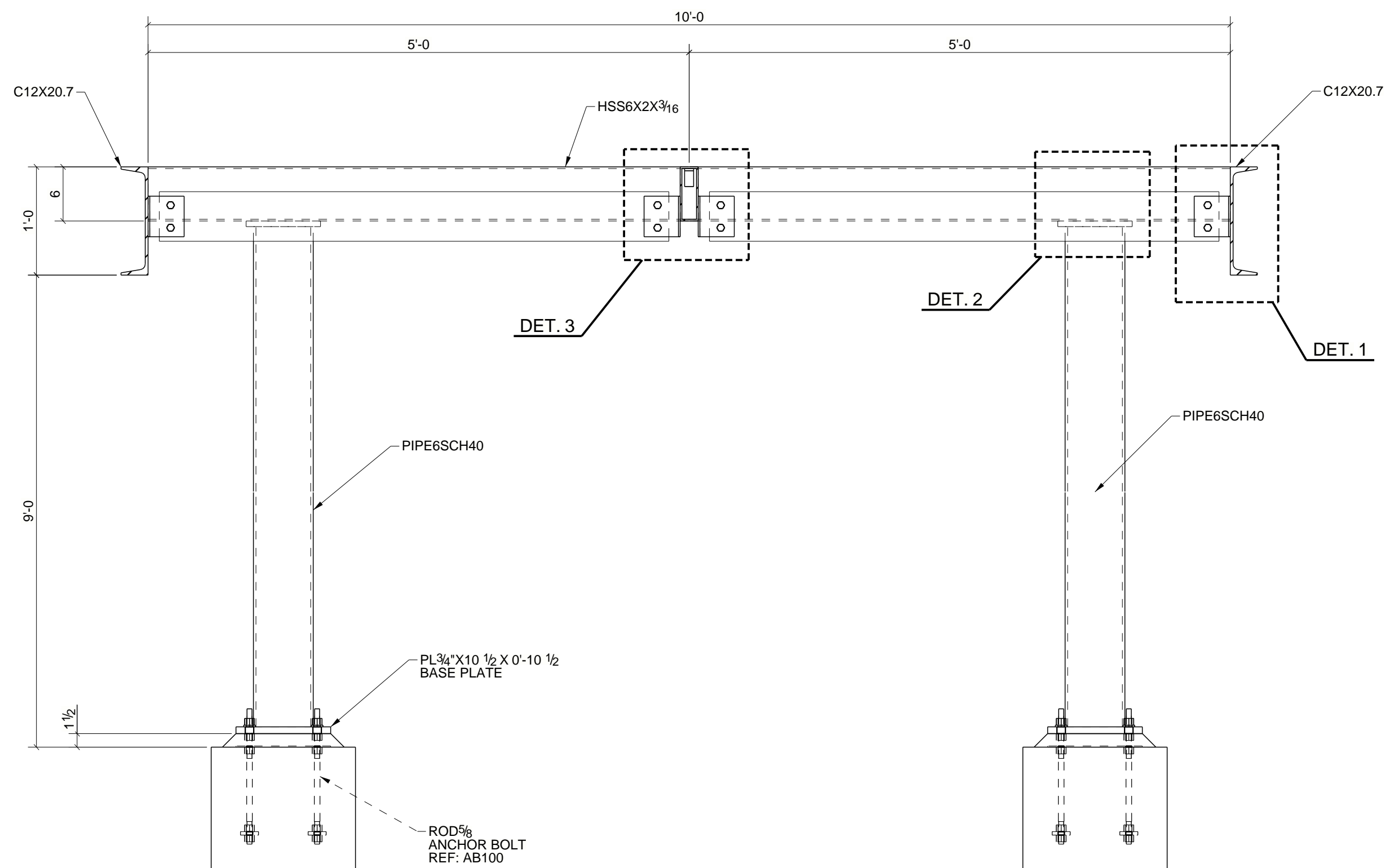
PERGOLA ISOMETRIC VIEW



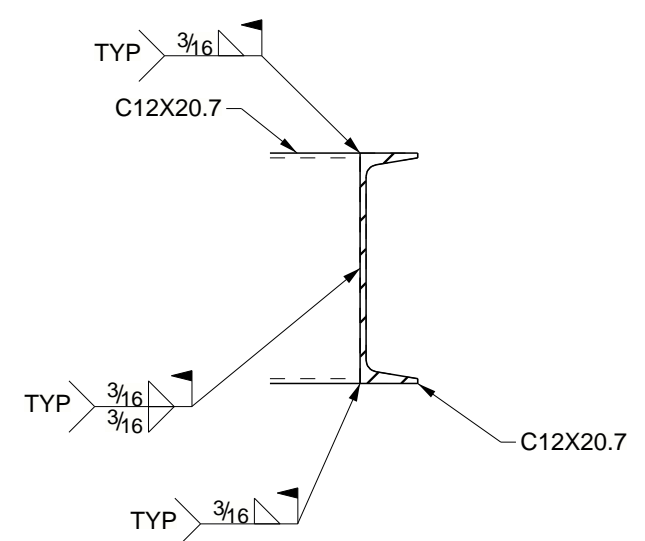
PERGOLA POST PLAN VIEW



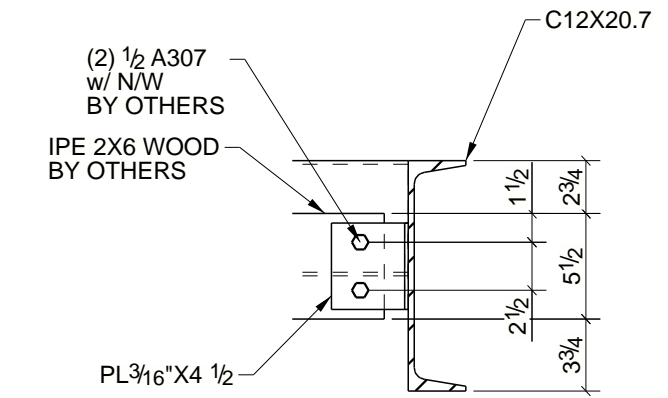
PERGOLA PLAN VIEW
REF: 3/S102, 9/A605



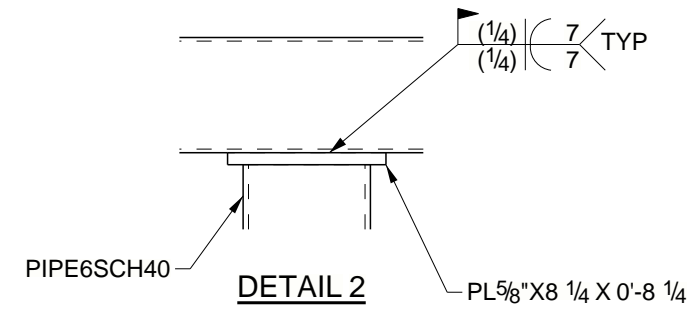
SECTION A - A



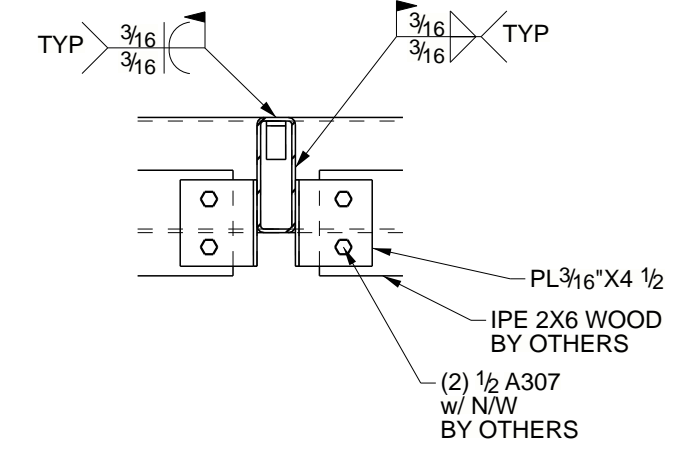
SECTION B - B



DETAIL 1



DETAIL 2

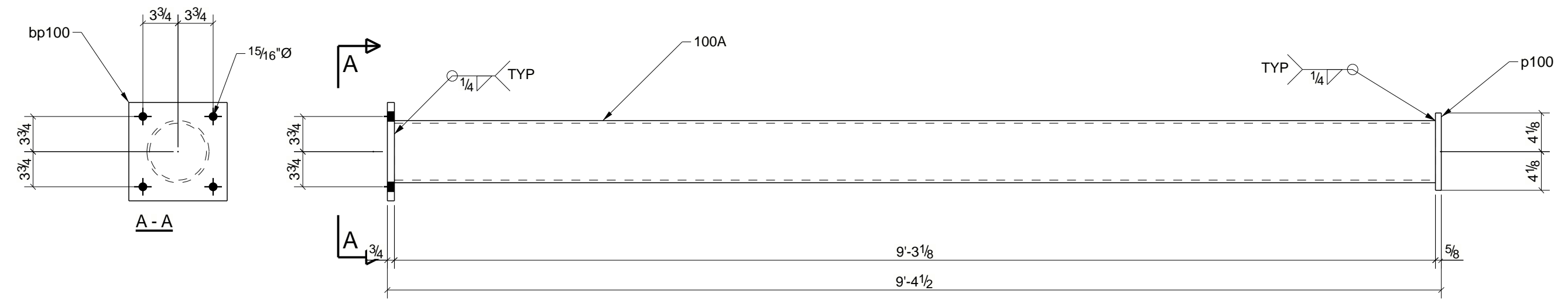


DETAIL 3

QTY.	SITE BOLTS	LENGTH	LOT #	QUANTITY
			100	4

BILL OF MATERIAL

MARK	QTY	DESCRIPTION	LENGTH	WEIGHT	REMARKS
100A	4	POSTS			
100A	4	PIPE6SCH40	9'-3 1/8"	656	A53
bp100	4	PL3/4"X10 1/2"	0'-10 1/2"	94	A36
p100	4	PL5/8"X8 1/4"	0'-8 1/4"	48	A36
TOTAL WEIGHT THIS DRAWING				798	

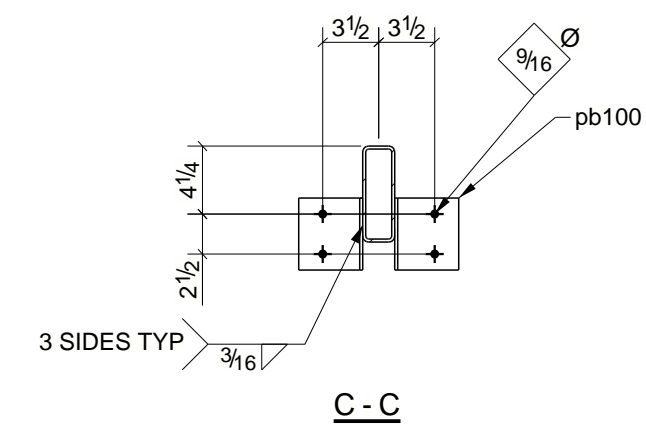
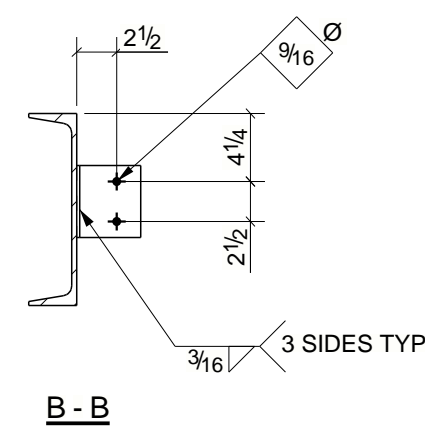
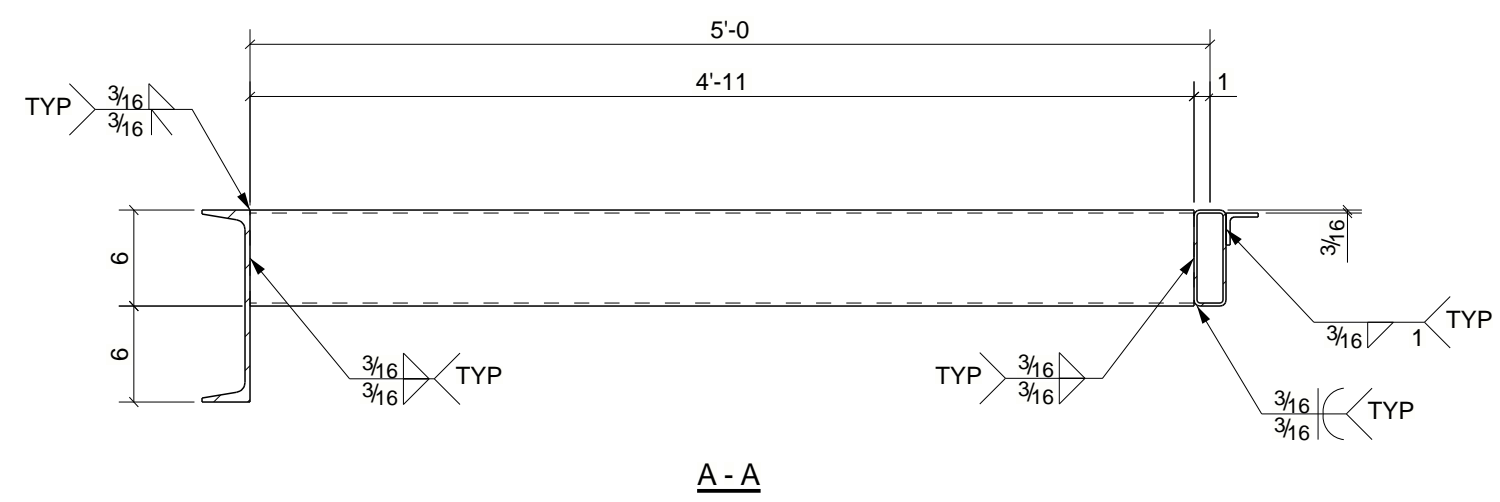
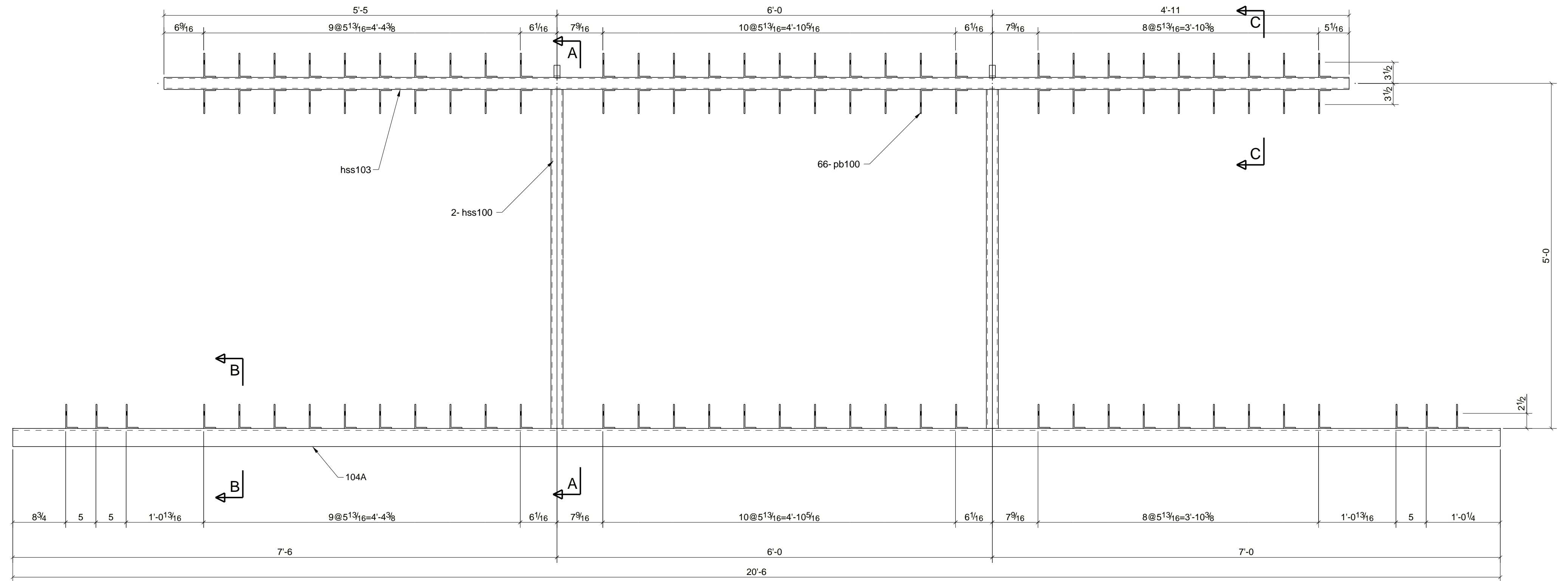


4 - POSTS - 100A

QTY.	SITE BOLTS	LENGTH	LOT #	QUANTITY
192	1/2"Ø A307 BOLT	2 1/2"	100	1

BILL OF MATERIAL

MARK	QTY	DESCRIPTION	LENGTH	WEIGHT	REMARKS
104A	1	PERGOLA FRAME			
104A	1	C12X20.7	20'-6"	424	A36
a100	2	L2X2X1/4	0'-1"	1	A36
hss100	2	HSS6X2X3/16	4'-11"	86	A500B
hss103	1	HSS6X2X3/16	16'-4"	143	A500B
pb100	96	PL3/16"X4 1/2"	0'-5 5/8"	134	A36
TOTAL WEIGHT THIS DRAWING				788	



ONE - PERGOLA FRAME - 104A