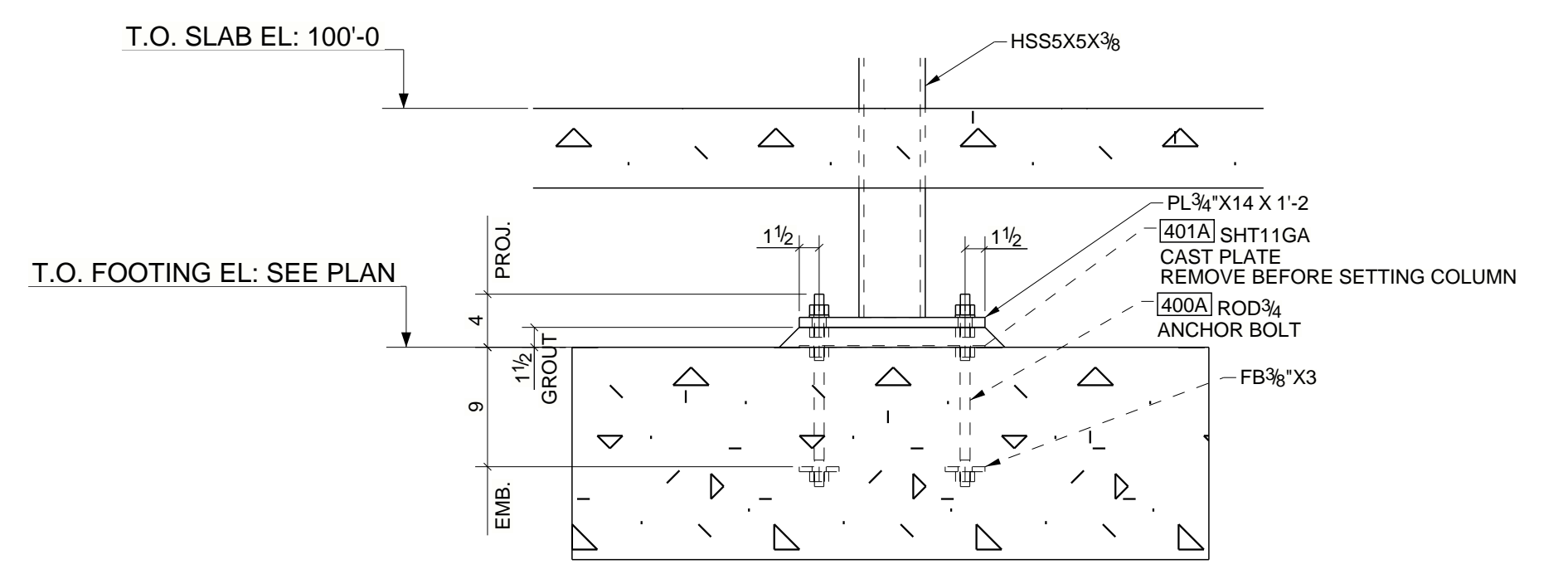
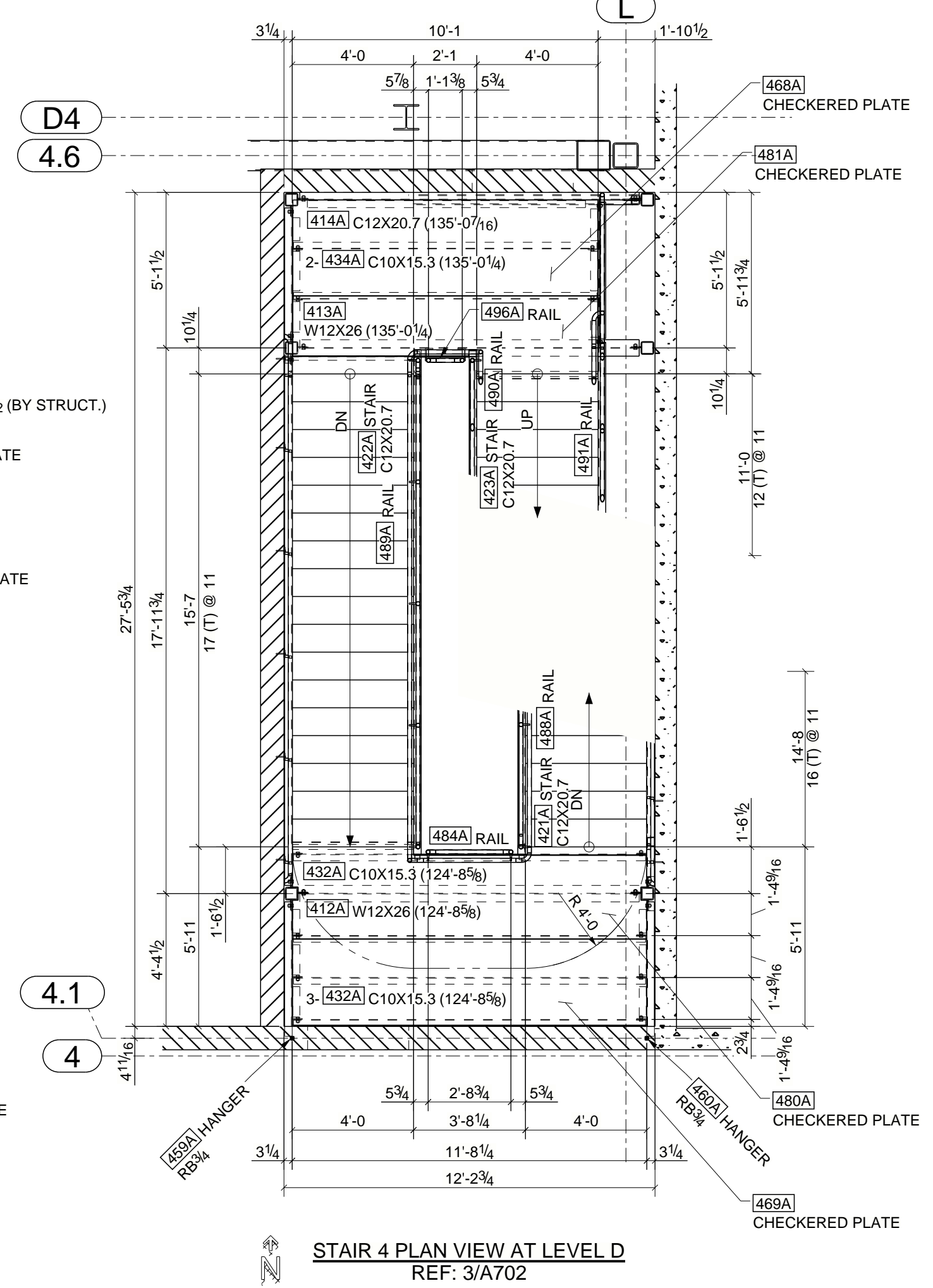
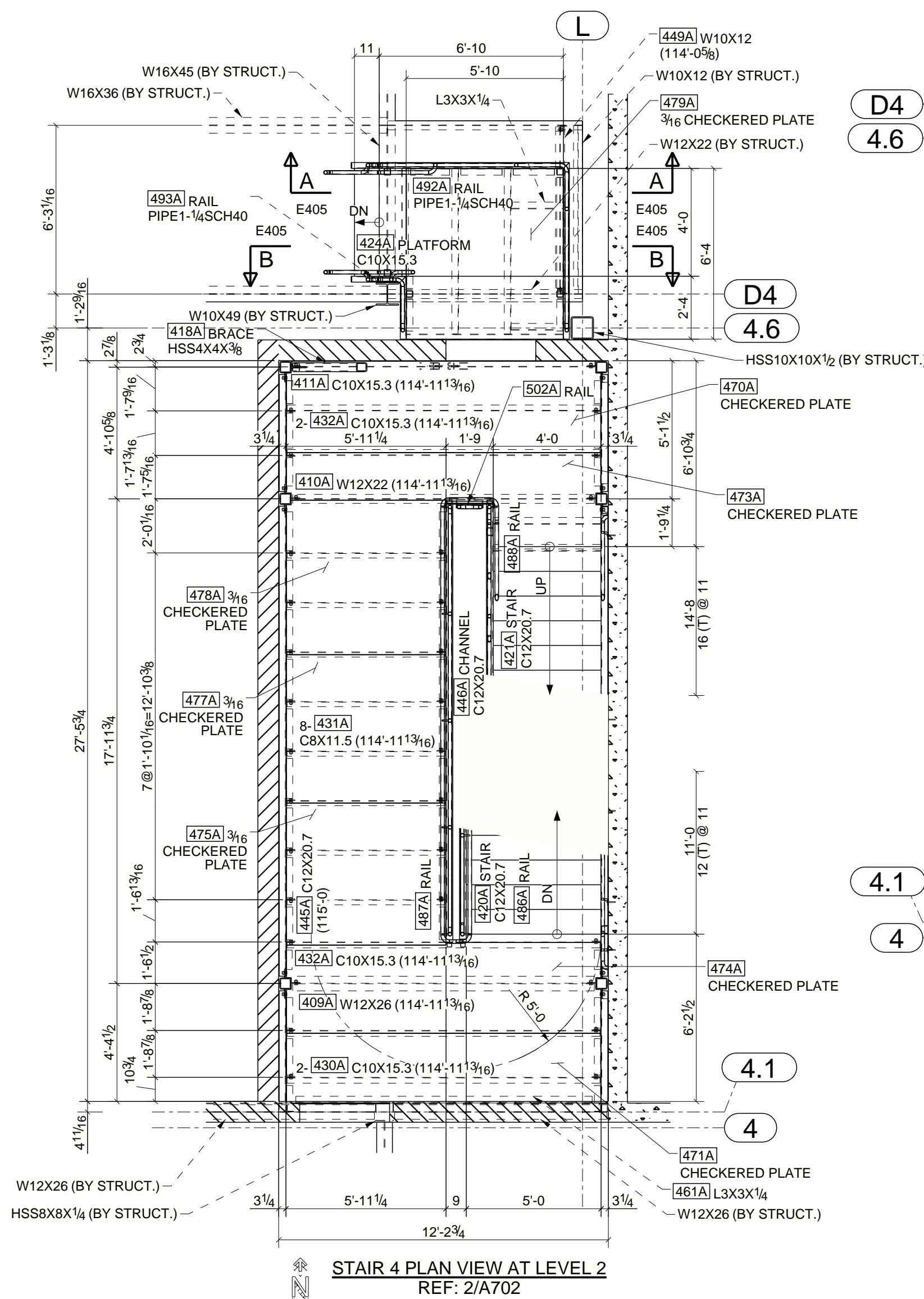
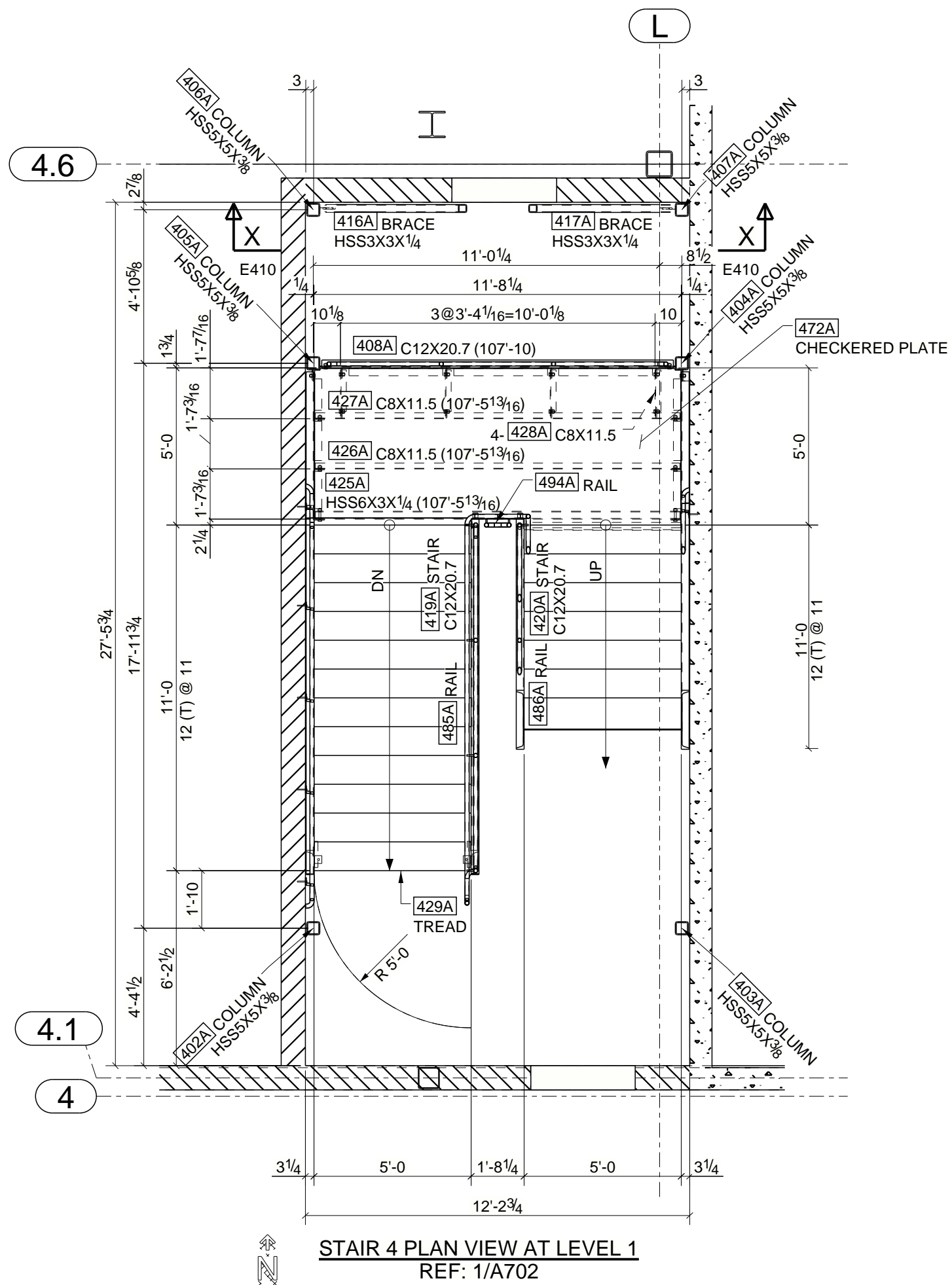
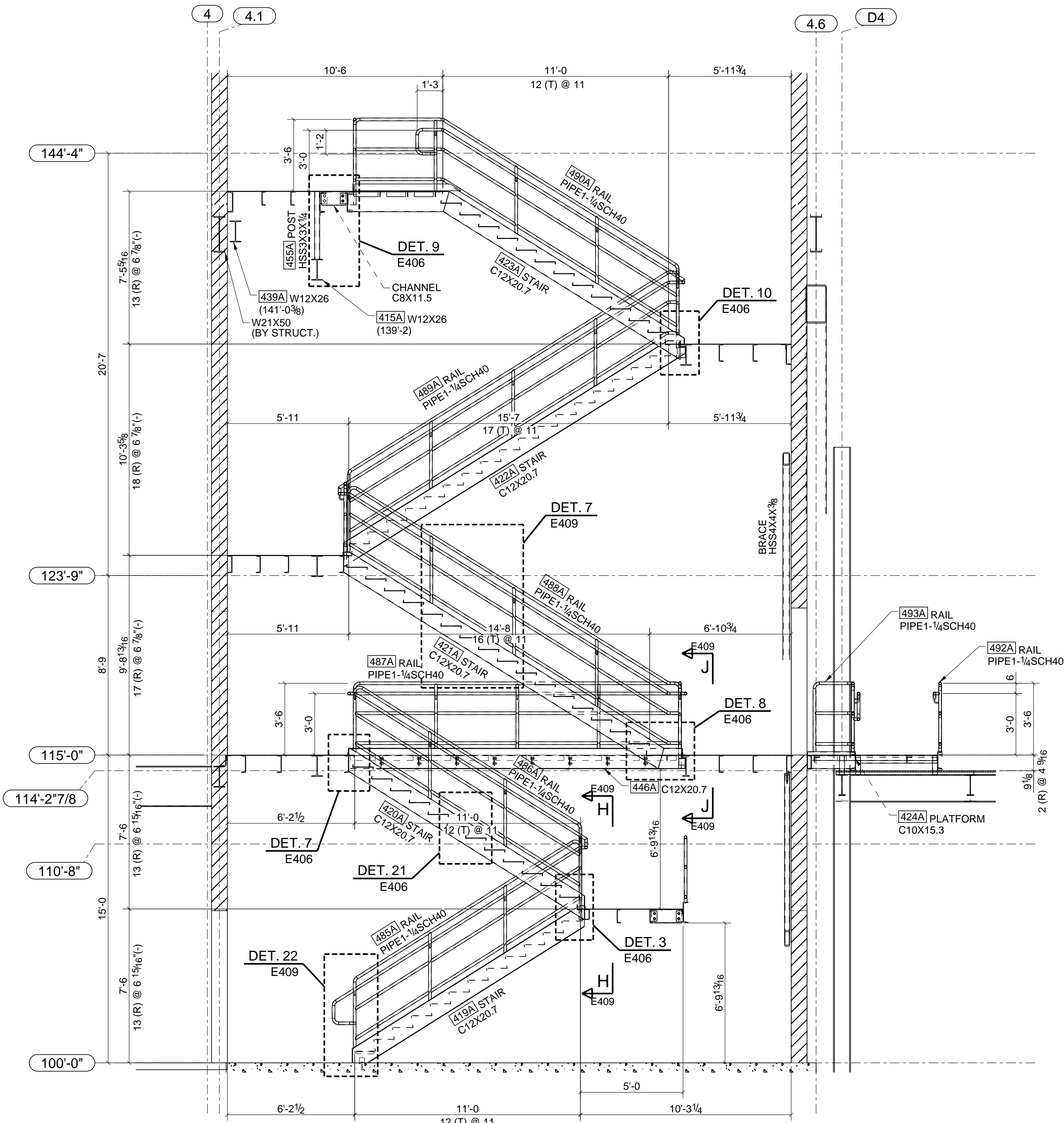


STAIR 4 ANCHOR BOLT PLAN
REF: S110, S200D

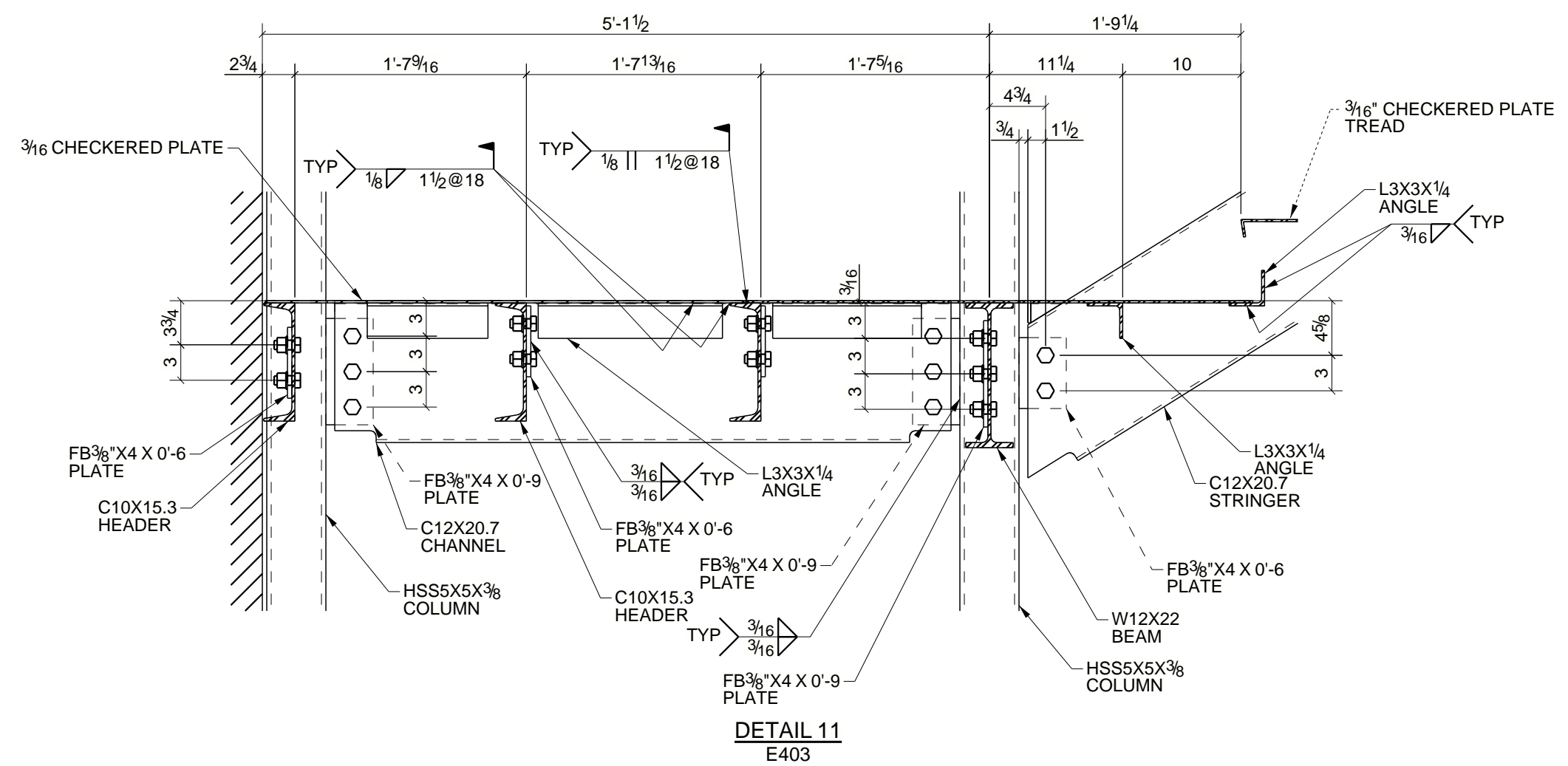


SECTION A - A
REF: S110

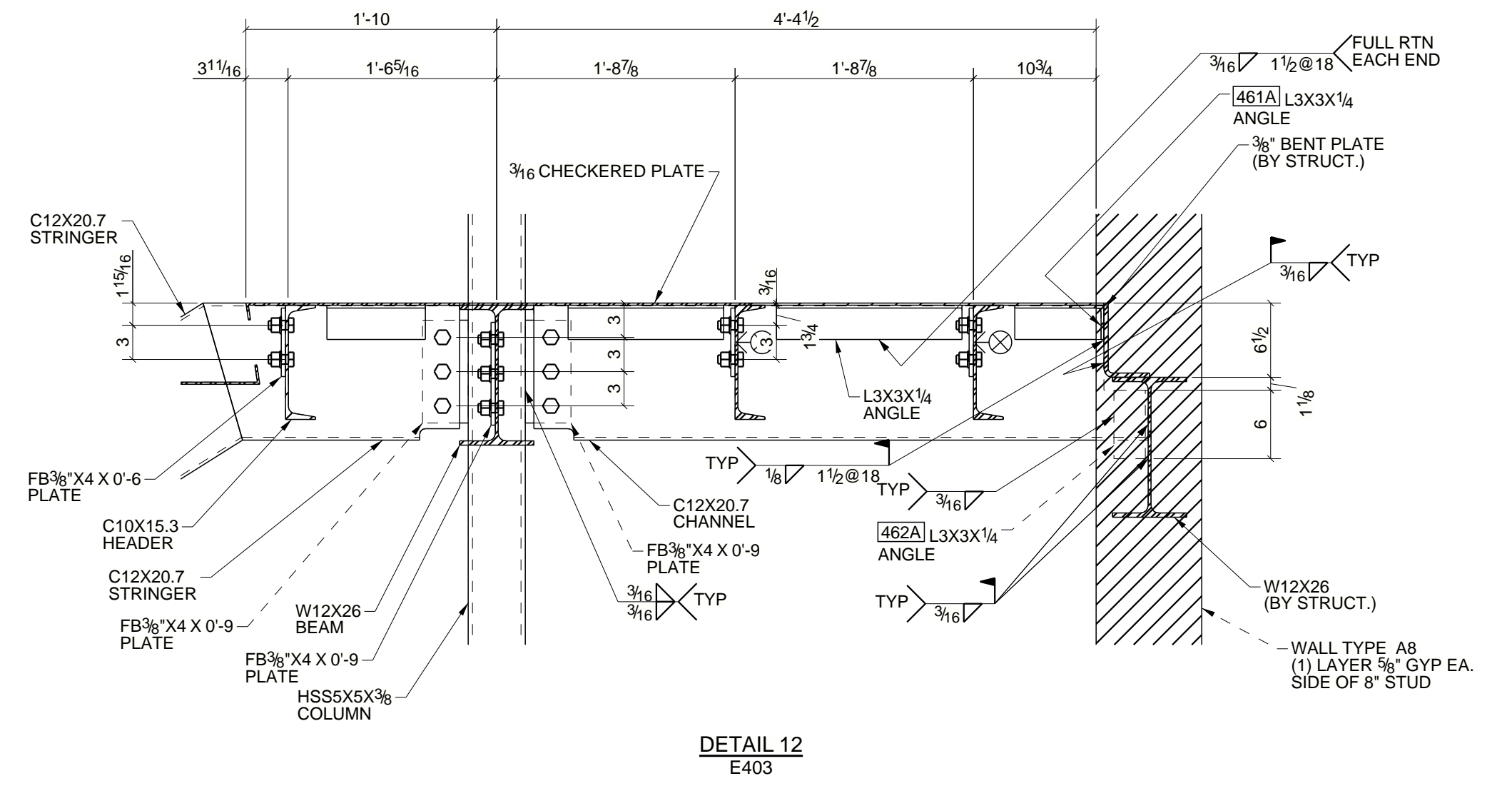




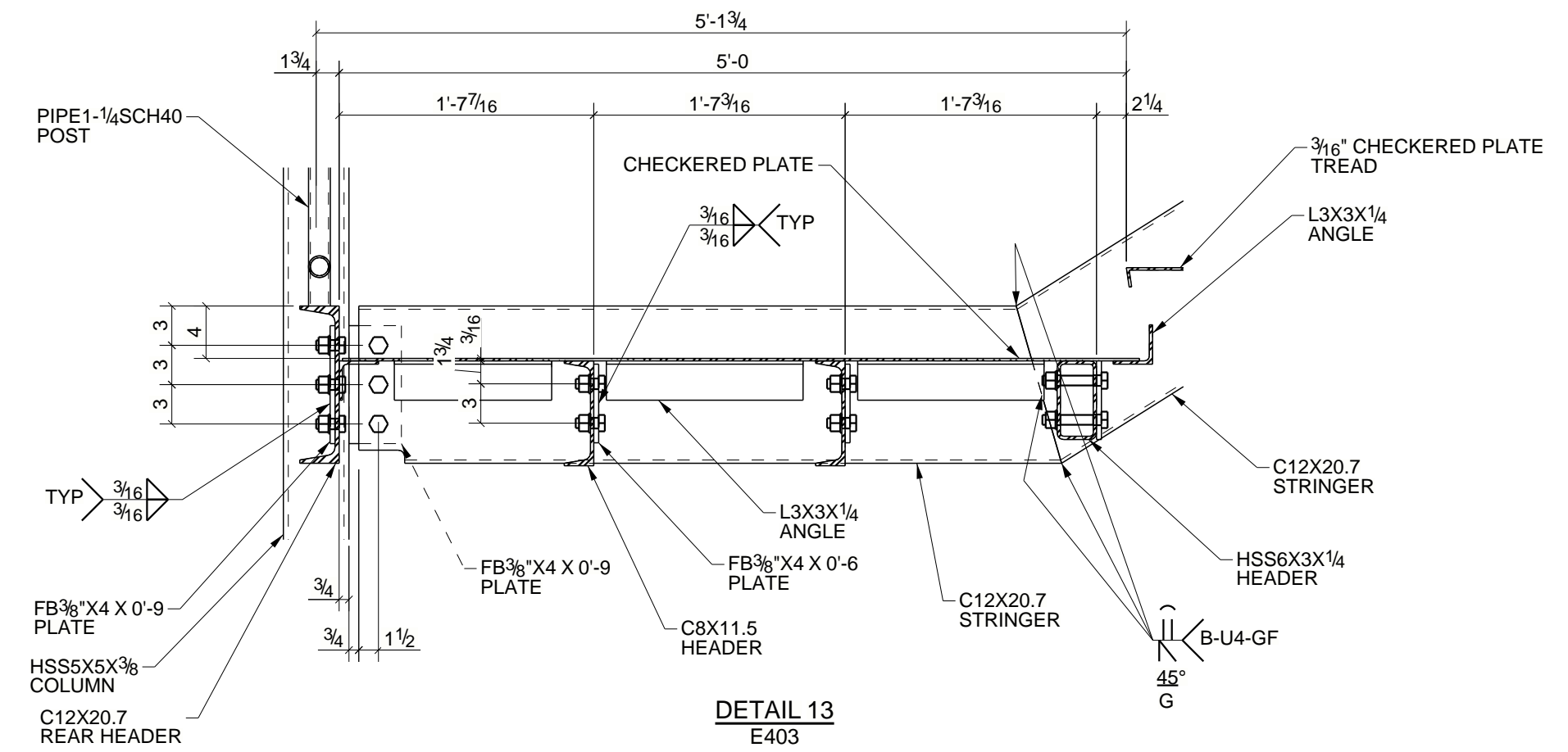
STAIR 4 ELEVATION VIEW - LOOKING WEST
REF: 6/A702



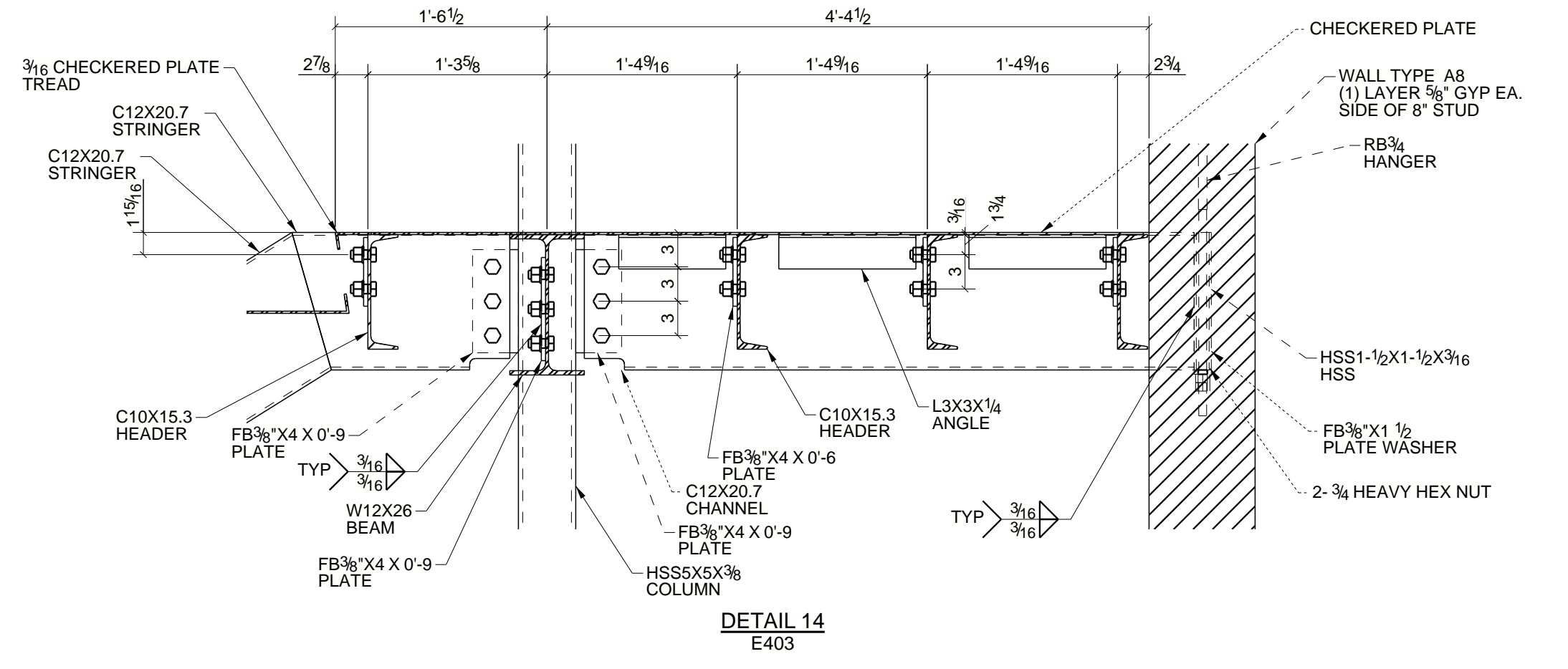
DETAIL 11
E403



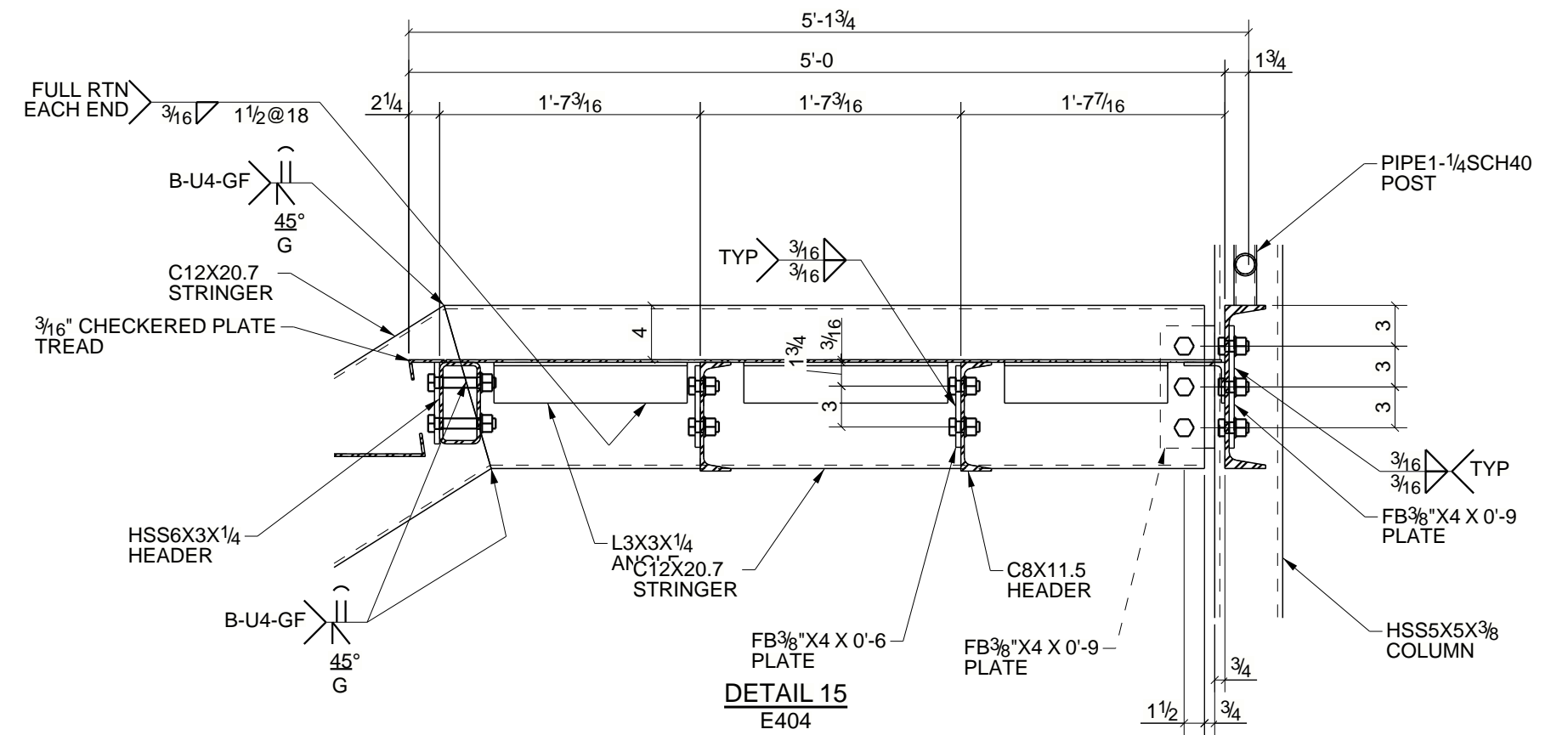
DETAIL 12
E403



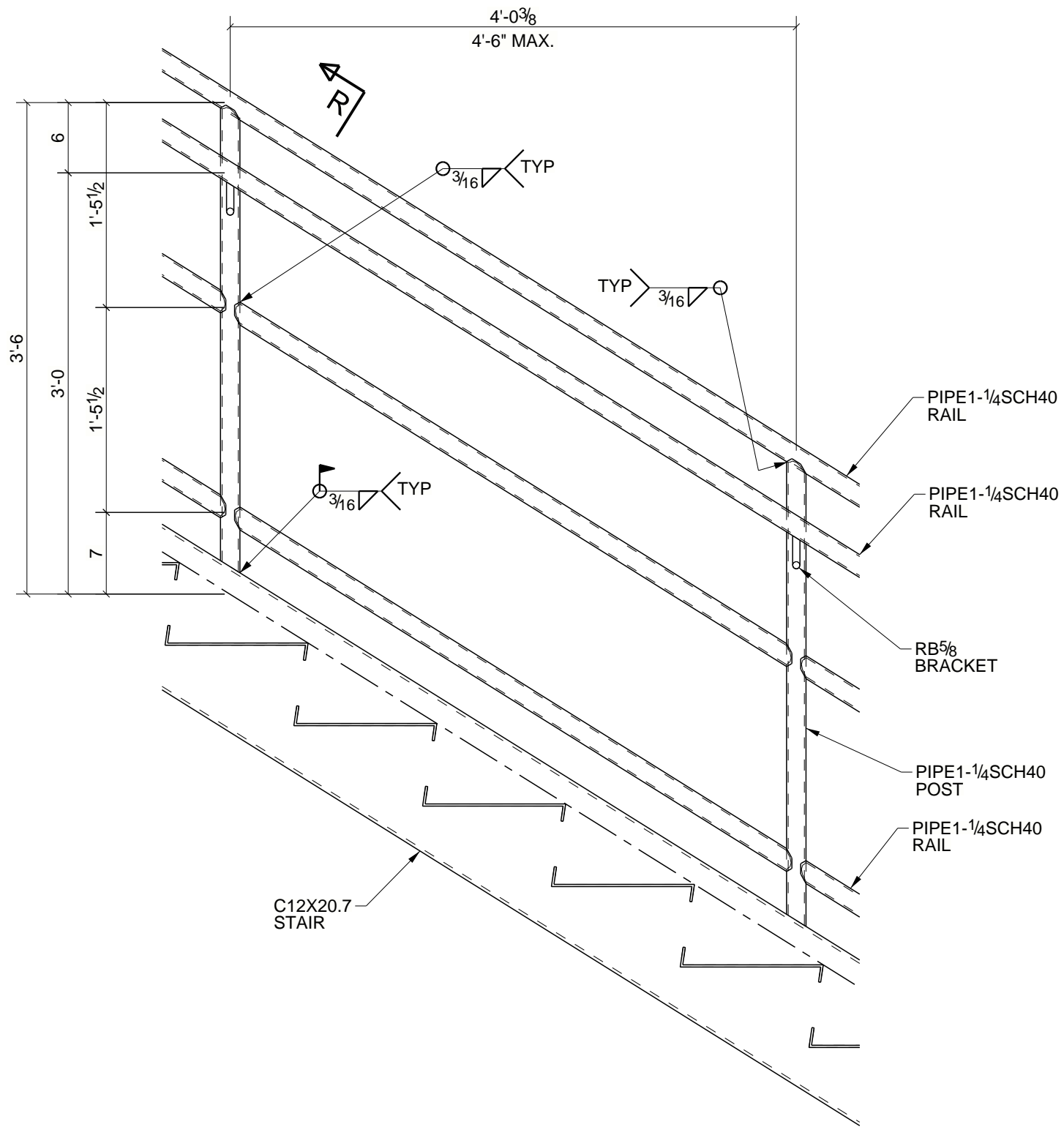
DETAIL 13
E403



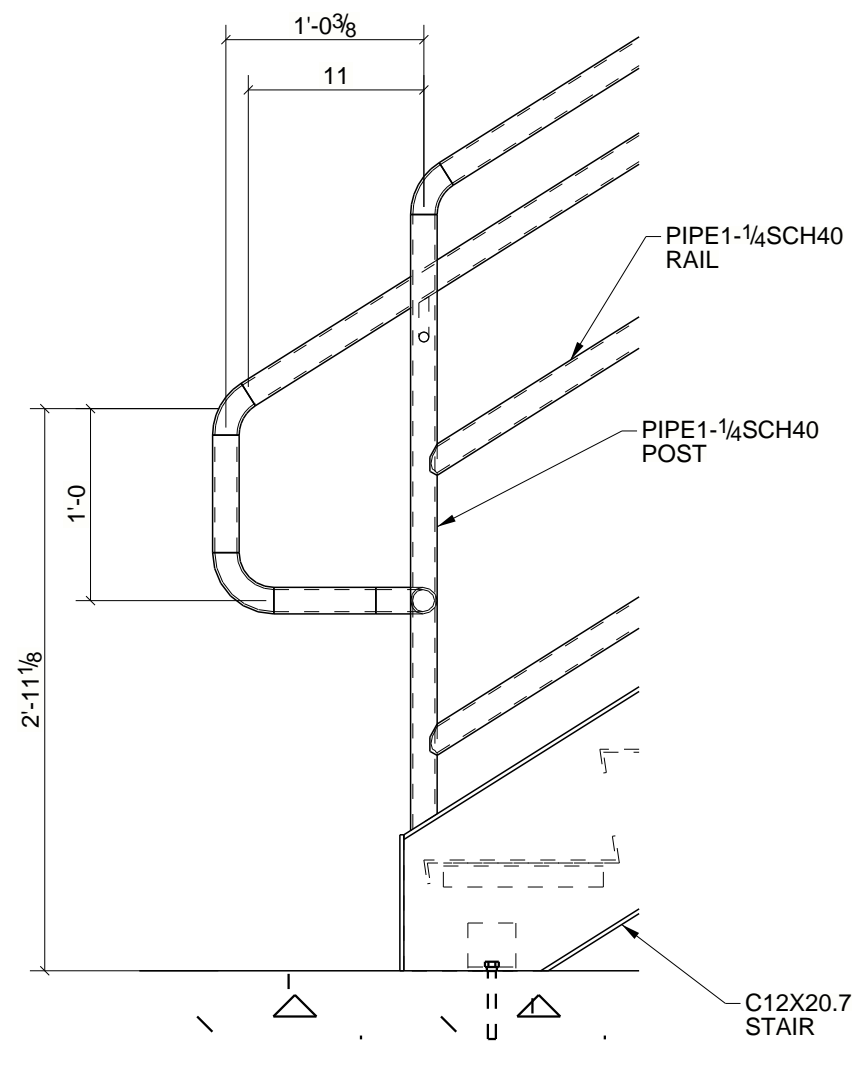
DETAIL 14
E403



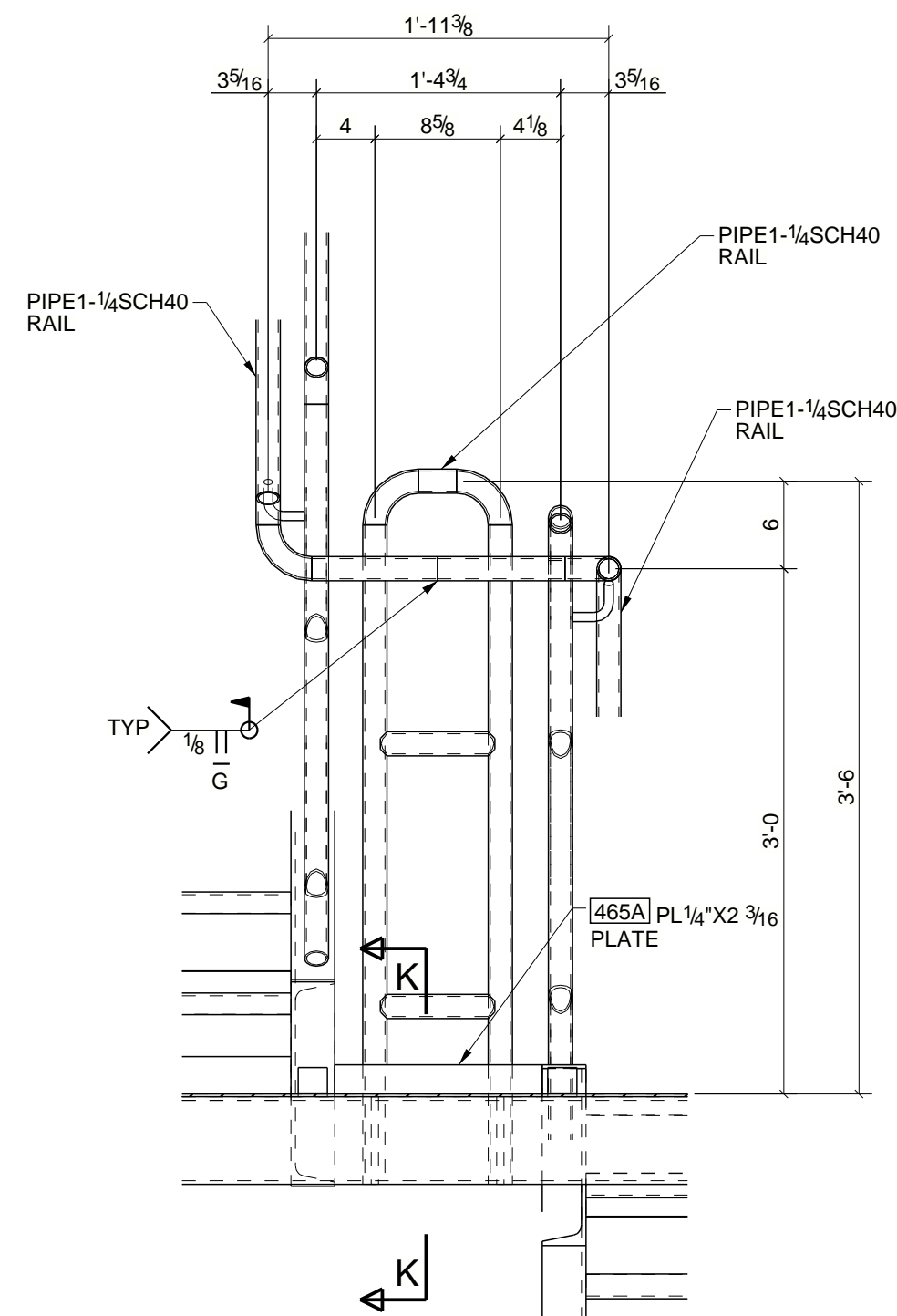
DETAIL 15
E404



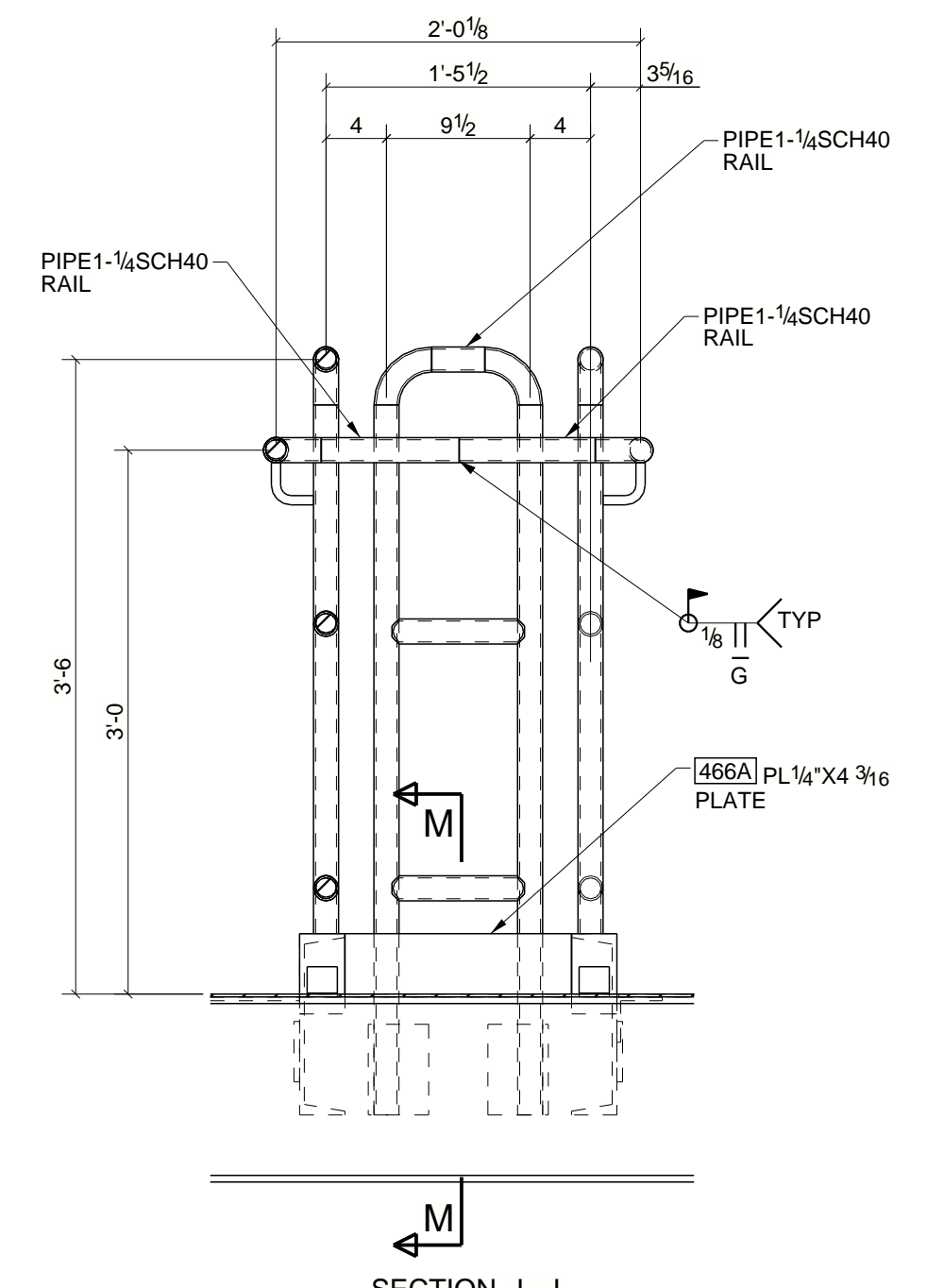
DETAIL 21
E402



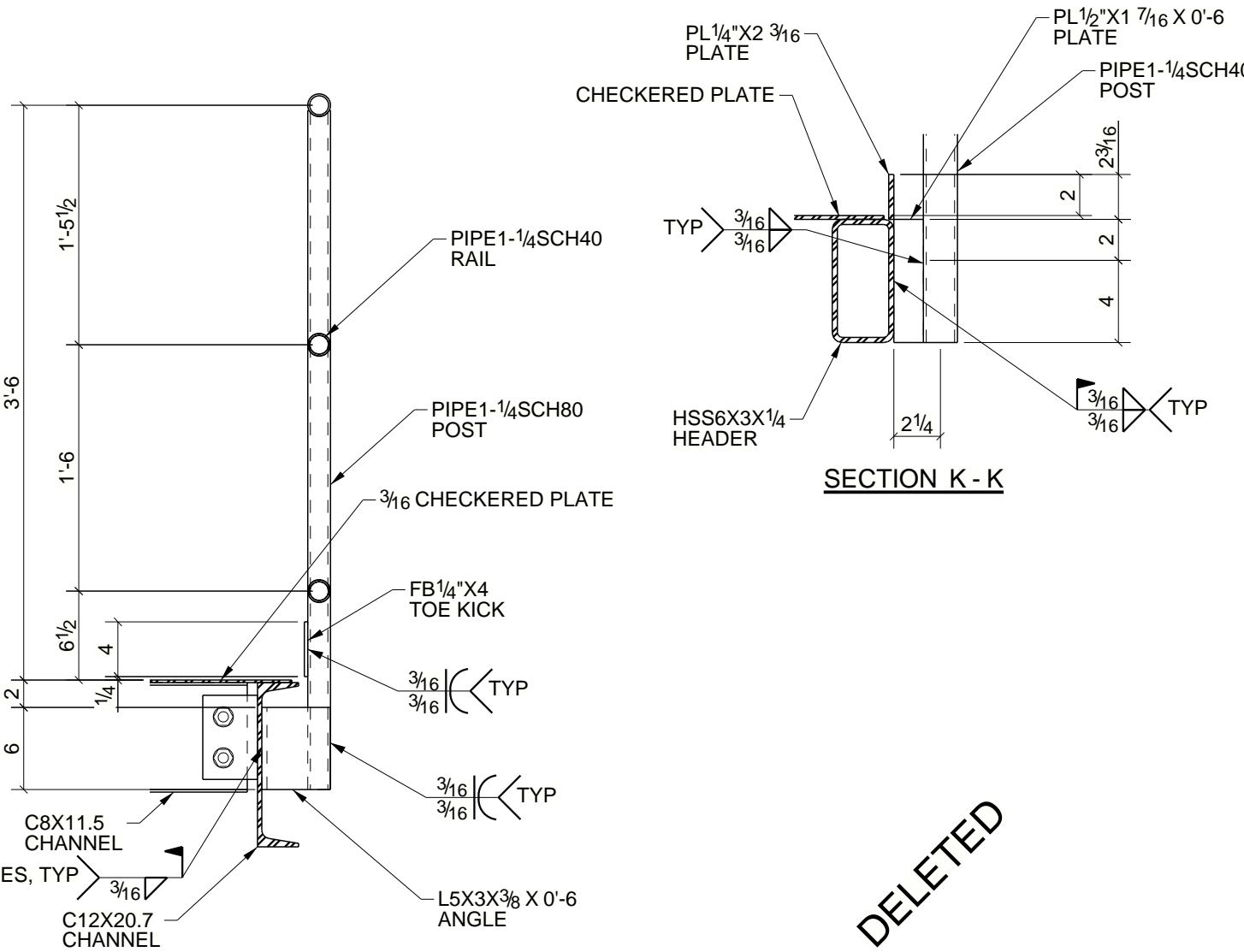
DETAIL 22
E402



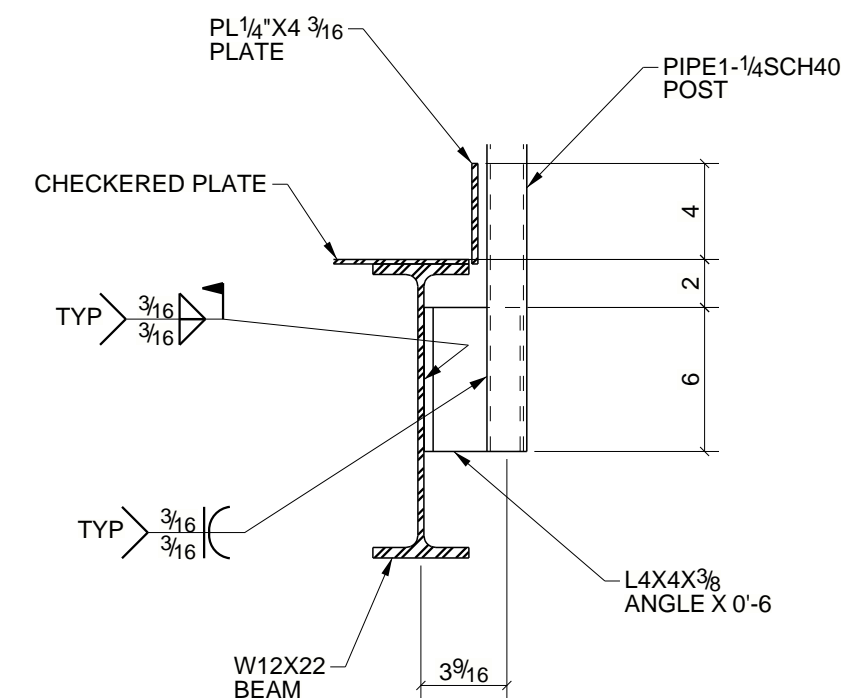
SECTION H-H
E402



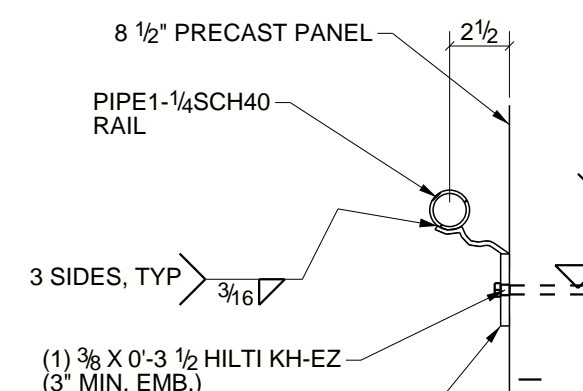
SECTION J-J
E402



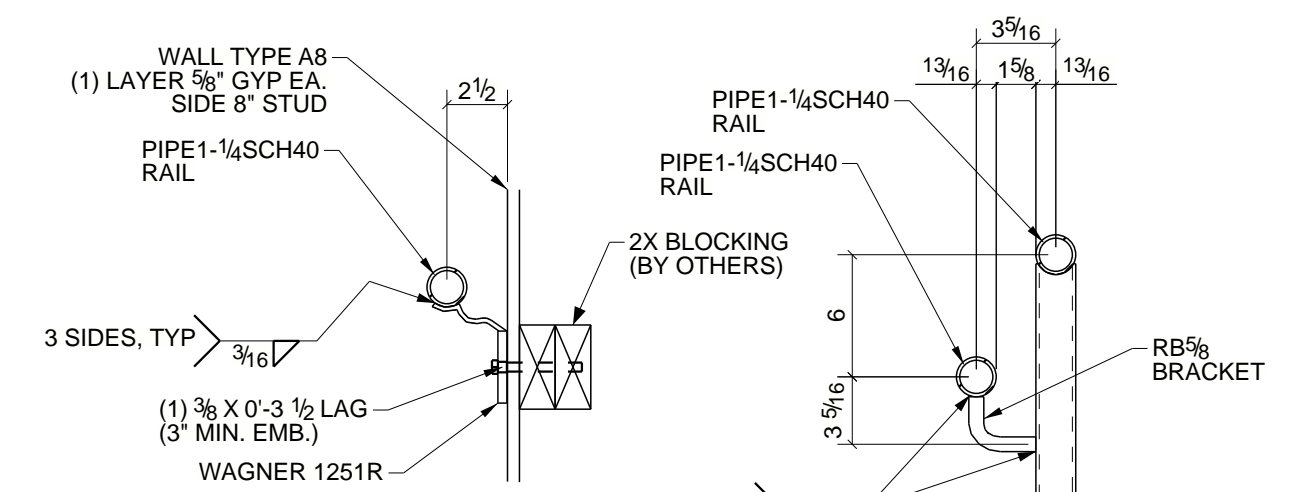
SECTION K-K



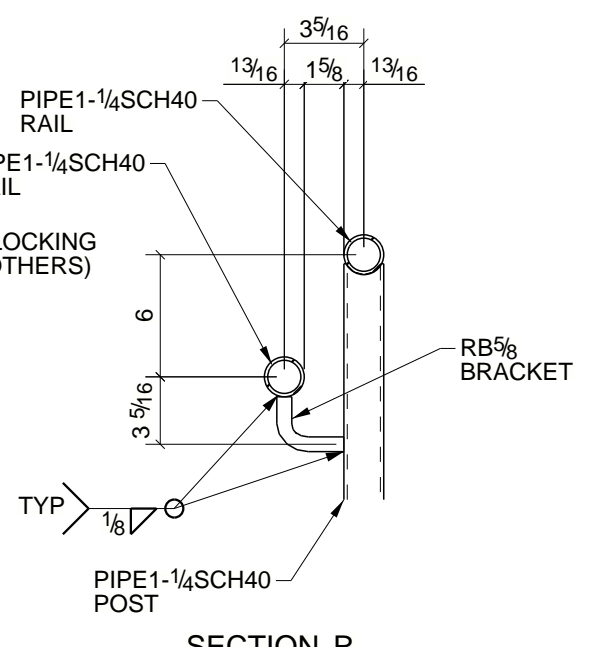
SECTION M-M



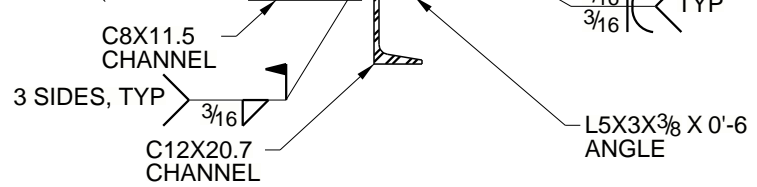
SECTION N
E403



SECTION P
E404



SECTION R



SECTION S
E401

DELETED

SECTION T-T

DELETED

SECTION V-V

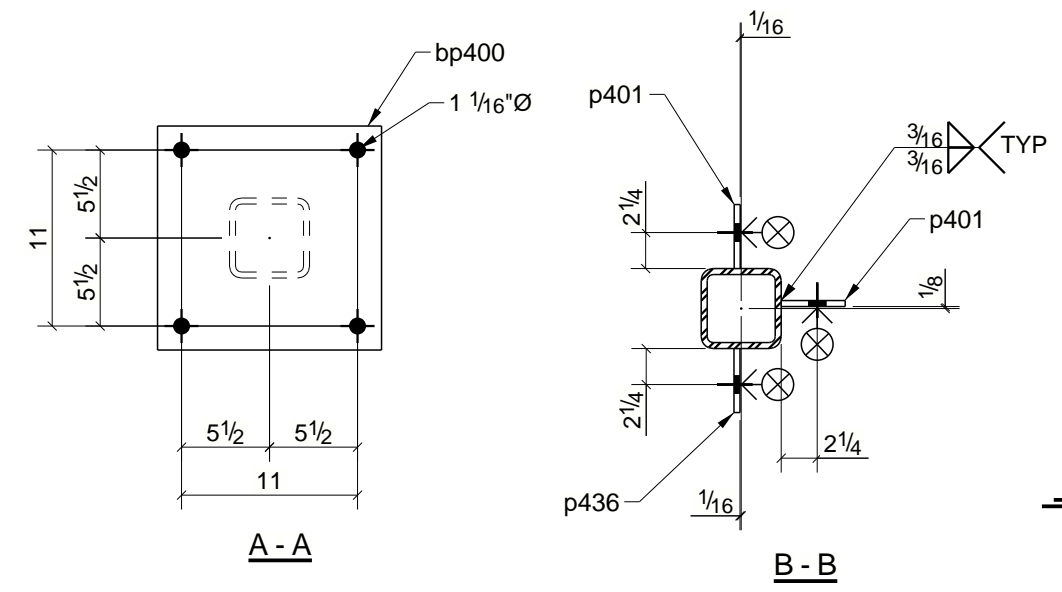
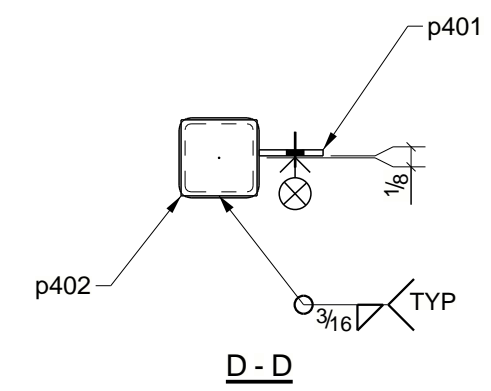
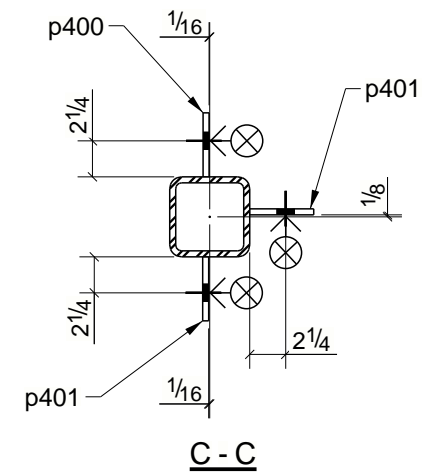
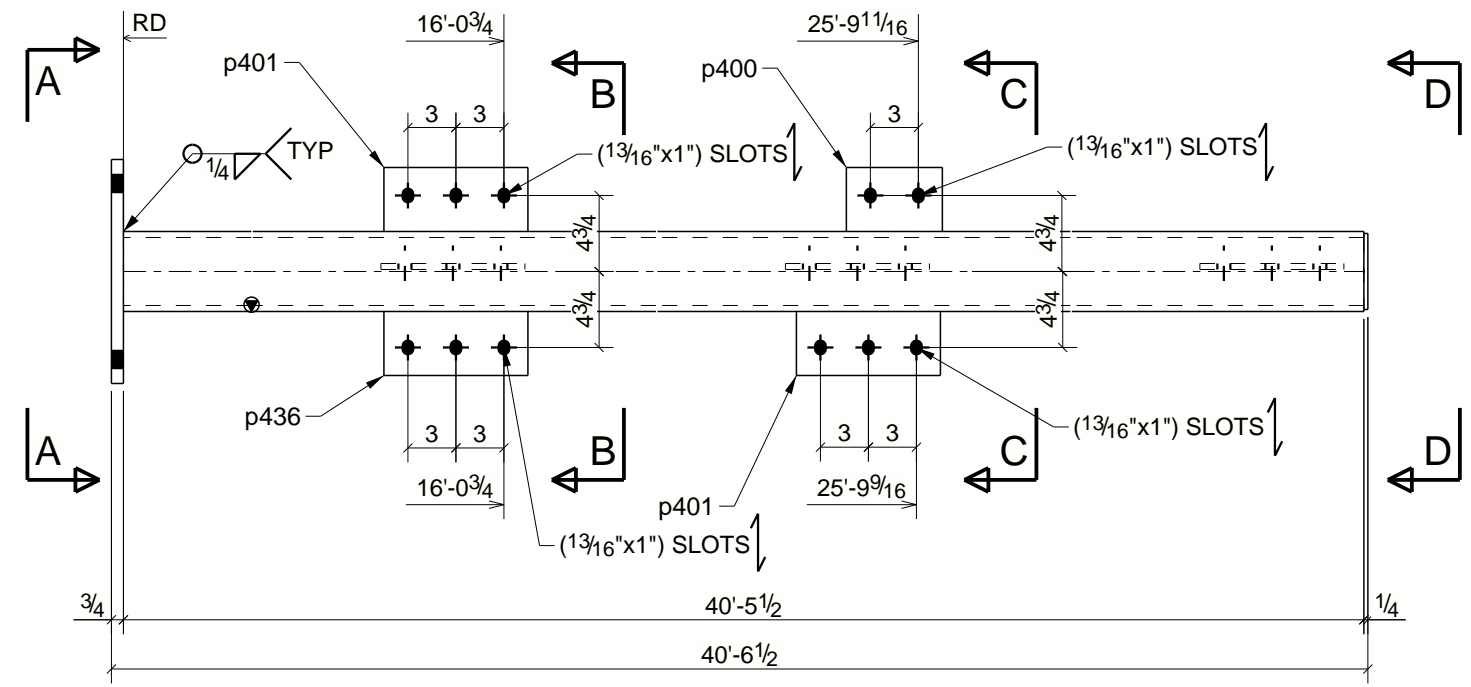
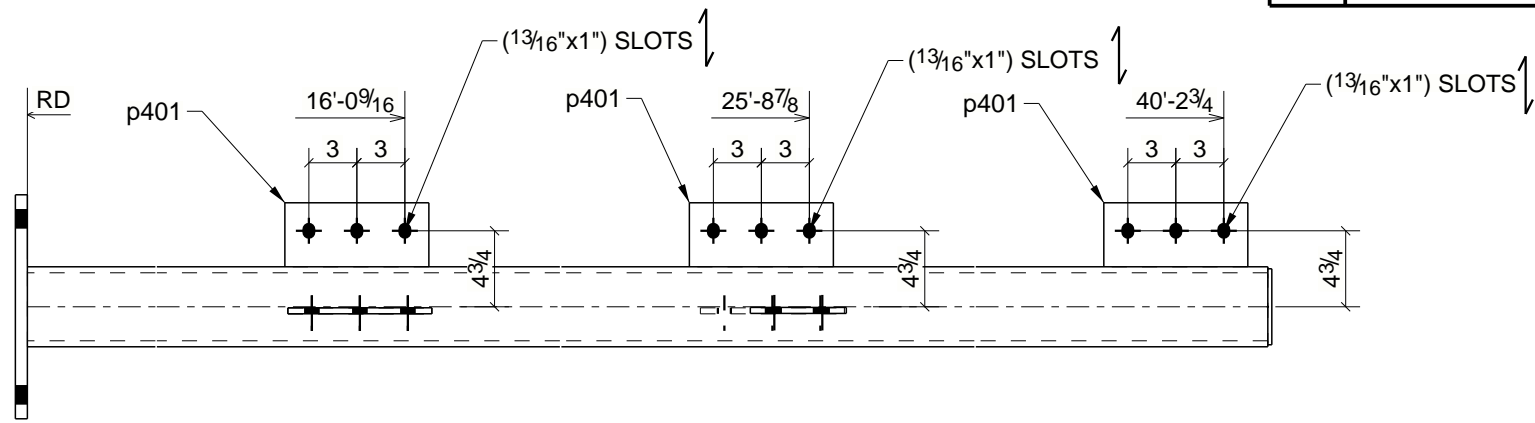
DELETED

SECTION W-W

QTY. SITE BOLTS LENGTH

BILL OF MATERIAL

MARK	QTY	DESCRIPTION	LENGTH	WEIGHT	REMARKS
402A	1	COLUMN			
402A	1	HSS5X5X3/8	40'-5 1/2"	851	A500B
bp400	1	PL3/4"X14"	1'-2"	42	A36
p400	1	FB3/8"X4"	0'-6"	3	A36
p401	5	FB3/8"X4"	0'-9"	19	A36
p402	1	FB1/4"X4 3/4"	0'-4 3/4"	2	A36
p436	1	FB3/8"X4"	0'-9"	4	A36
TOTAL WEIGHT THIS DRAWING				920	

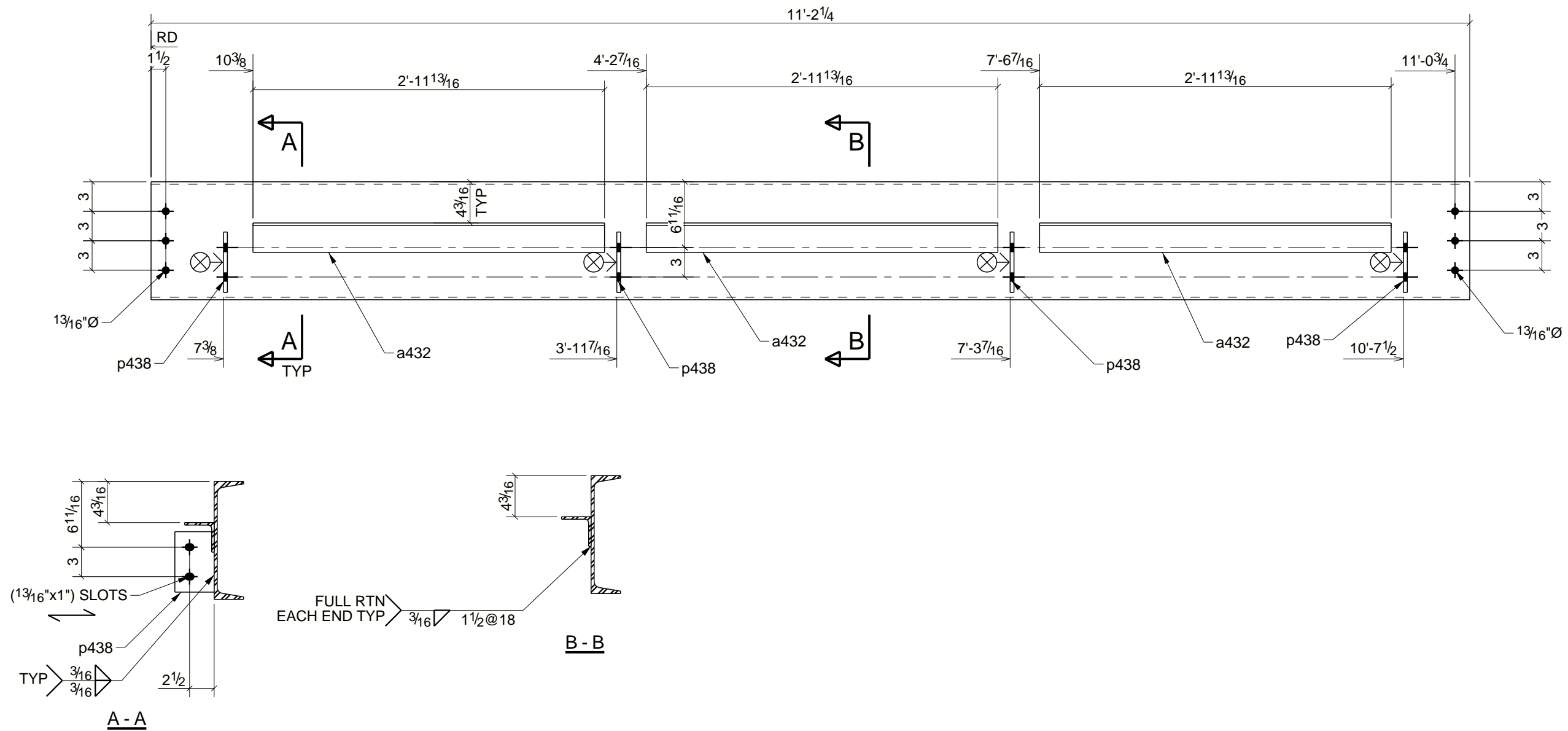


ONE - COLUMN - 402A

QTY.	SITE BOLTS	LENGTH
6	3/4"Ø A325N BOLT	1 3/4"

BILL OF MATERIAL

MARK	QTY	DESCRIPTION	LENGTH	WEIGHT	REMARKS
408A	1	REAR HEADER			
408A	1	C12X20.7	11'-2 1/4"	231	A36
a432	3	L3X3X1/4	2'-11 13/16"	44	A36
p438	4	PL3/8"X4"	0'-6 1/8"	11	A36
TOTAL WEIGHT THIS DRAWING				286	

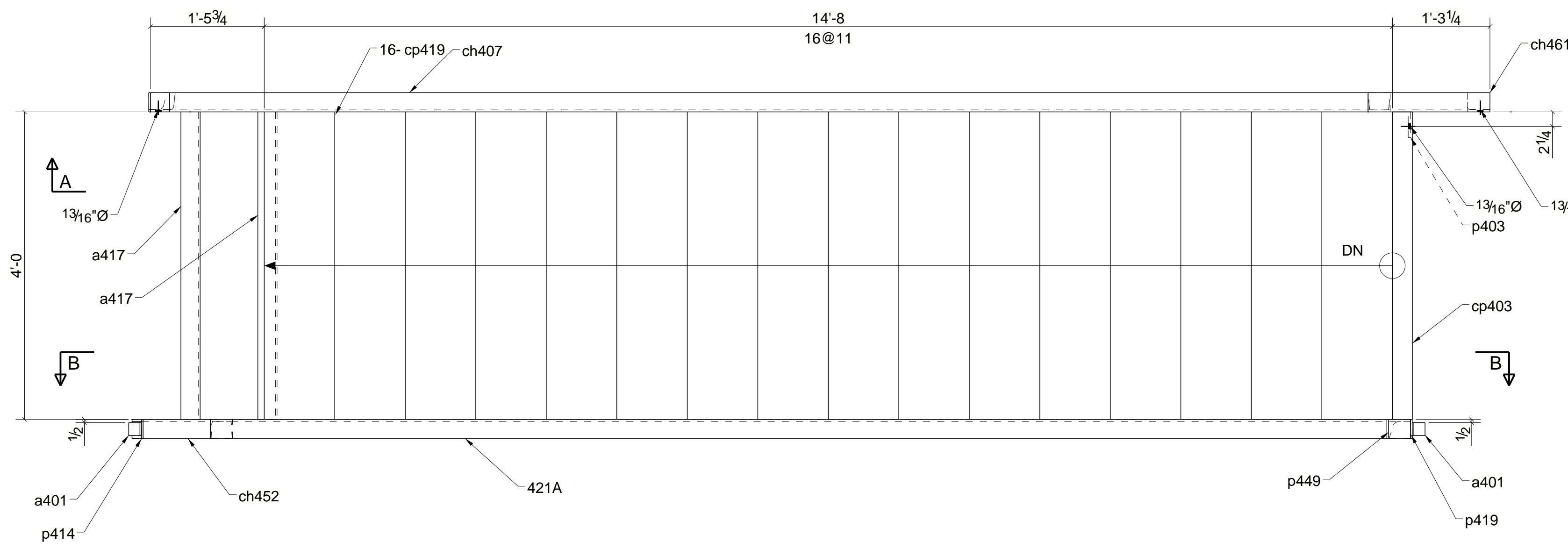


ONE - REAR HEADER - 408A

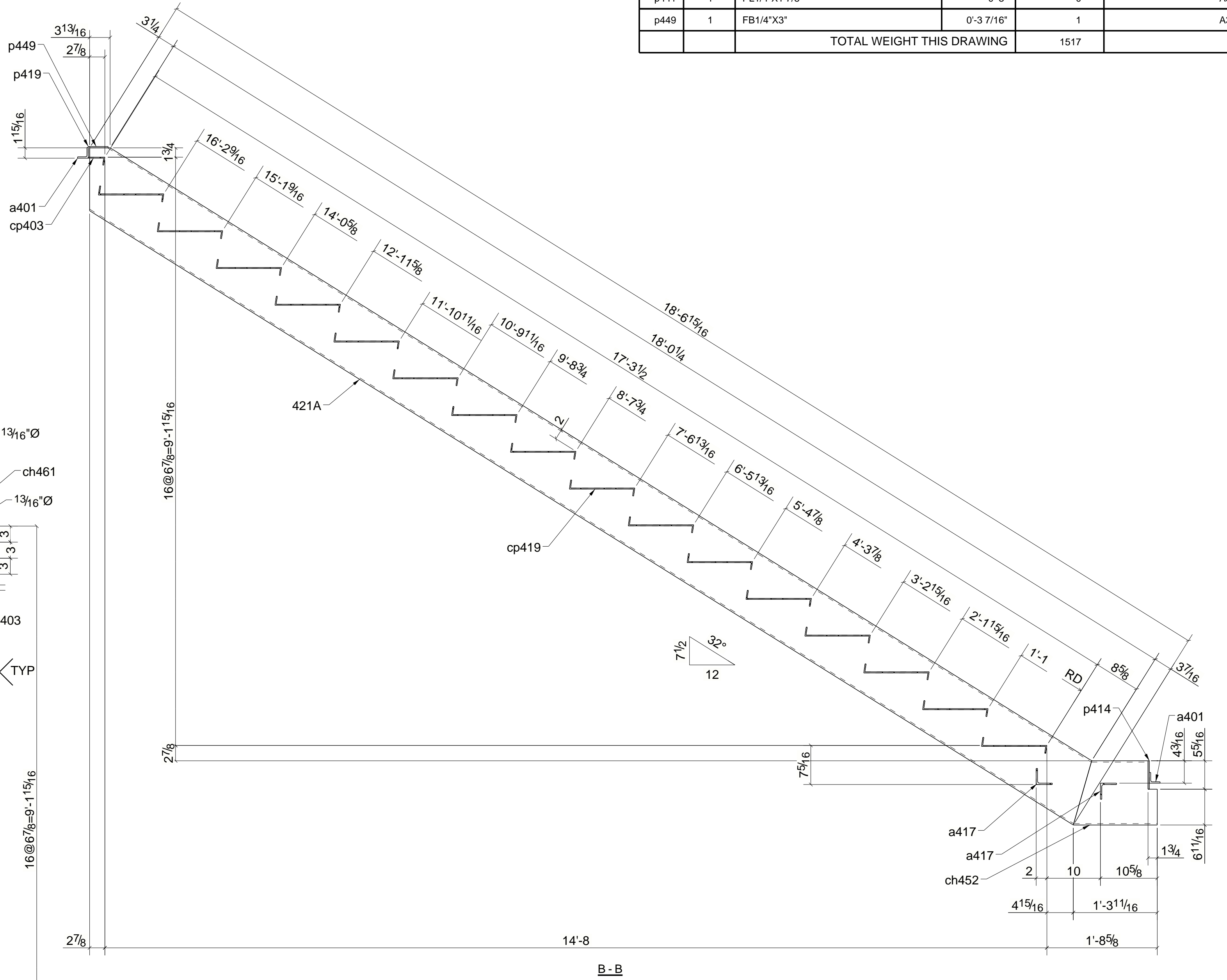
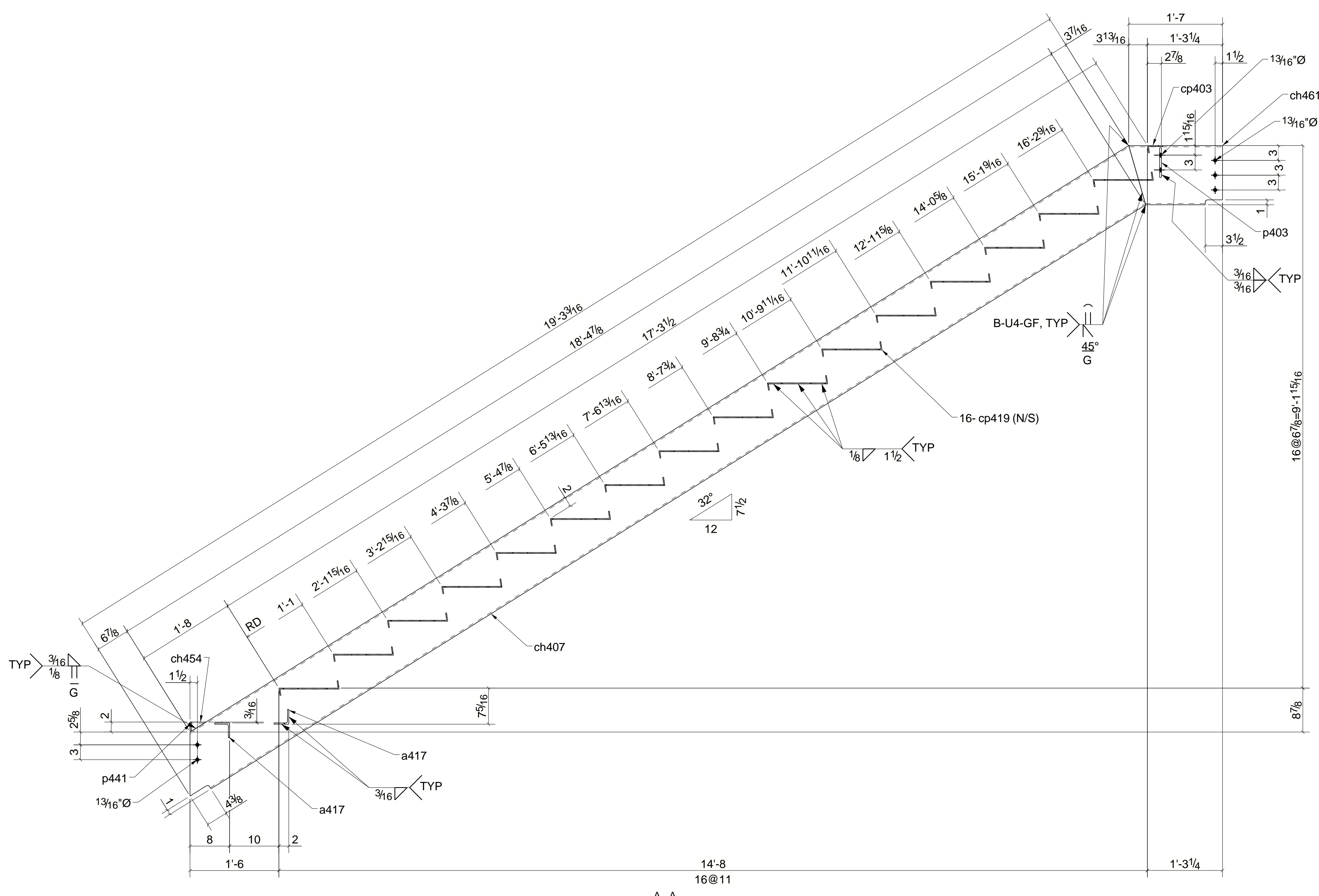
QTY.	SITE BOLTS	LENGTH
5	3/4"Ø A325N BOLT	1 3/4"

BILL OF MATERIAL

MARK	QTY	DESCRIPTION	LENGTH	WEIGHT	REMARKS
421A	1	STAIR			
421A	1	C12X20.7	18'-6 15/16"	384	A36
a401	2	L2X2X1/4	0'-2"	1	A36
a417	2	L3X3X1/4	4'-0"	39	A36
ch407	1	C12X20.7	19'-3 3/16"	399	A36
ch452	1	C12X20.7	1'-3 11/16"	27	A36
ch454	1	C12X20.7	0'-3"	5	A36
ch461	1	C12X20.7	1'-7"	33	A36
cp403	1	CHKD_PLT3/16"X4 5/8"	4'-0"	11	A36
cp419	16	CHKD_PLT3/16"X15"	4'-0"	613	A36
p403	1	FB3/8"X4"	0'-6"	3	A36
p414	1	FB1/4"X3"	0'-5 5/16"	1	A36
p419	1	PL1/4"X2 3/16"	0'-3"	0	A36
p441	1	PL1/4"X1 7/8"	0'-3"	0	A36
p449	1	FB1/4"X3"	0'-3 7/16"	1	A36
TOTAL WEIGHT THIS DRAWING				1517	



ONE - STAIR - 421A

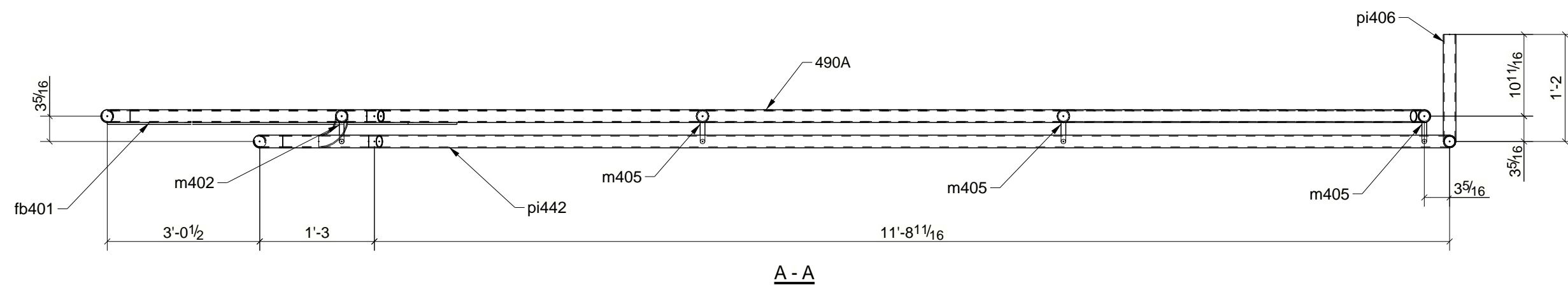


QTY. SITE BOLTS

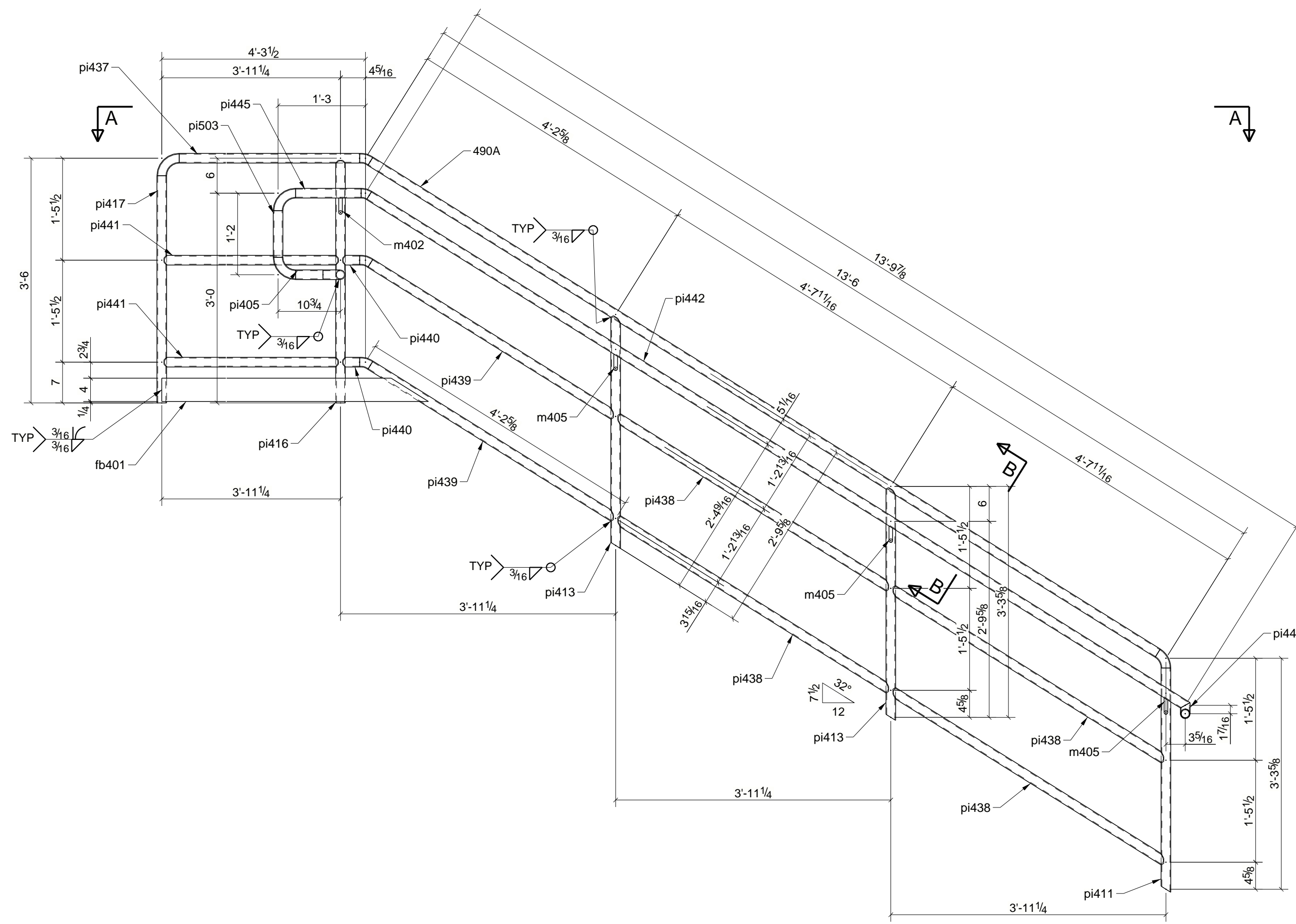
LENGTH

BILL OF MATERIAL

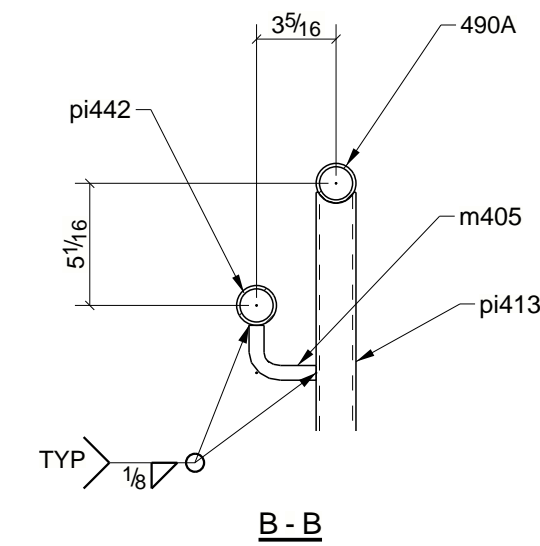
MARK	QTY	DESCRIPTION	LENGTH	WEIGHT	REMARKS
490A	1	RAIL			
490A	1	PIPE1-1/4SCH40	13'-3 5/16"	28	A500
fb401	1	FB1/4"X4"	5'-2 5/16"	17	A36
m402	1	WAGNER R140	BOI	0	A36
m405	3	WAGNER R140	BOI	1	A36
pi405	1	PIPE1-1/4SCH40	0'-4 3/4"	1	A500
pi406	1	PIPE1-1/4SCH40	1'-2 13/16"	3	A500
pi411	1	PIPE1-1/4SCH40	3'-2 1/2"	7	A500
pi413	2	PIPE1-1/4SCH40	3'-3 15/16"	14	A500
pi416	1	PIPE1-1/4SCH40	3'-5 5/8"	7	A500
pi417	1	PIPE1-1/4SCH40	3'-3"	7	A500
pi420	3	PIPE1-1/4SCH40	0'-1 15/16"	1	A500
pi431	1	PIPE1-1/4SCH40	0'-1 7/16"	0	A500
pi437	1	PIPE1-1/4SCH40	3'-11 1/2"	8	A500
pi438	4	PIPE1-1/4SCH40	4'-7 1/4"	39	A500
pi439	2	PIPE1-1/4SCH40	4'-1 7/16"	18	A500
pi440	2	PIPE1-1/4SCH40	0'-2 15/16"	1	A500
pi441	2	PIPE1-1/4SCH40	3'-10 1/2"	17	A500
pi442	1	PIPE1-1/4SCH40	13'-9 5/8"	30	A500
pi445	1	PIPE1-1/4SCH40	0'-11 1/4"	2	A500
pi446	1	PIPE1-1/4SCH40	0'-2 3/4"	0	A500
pi449	1	PIPE1-1/4SCH40	0'-3 1/16"	1	A500
pi471	3	PIPE1-1/4SCH40	0'-4 11/16"	3	A500
pi482	1	PIPE1-1/4SCH40	0'-4 11/16"	1	A500
pi503	1	PIPE1-1/4SCH40	0'-8"	1	A500
TOTAL WEIGHT THIS DRAWING				208	



A - A



ONE - RAIL - 490A



B - B