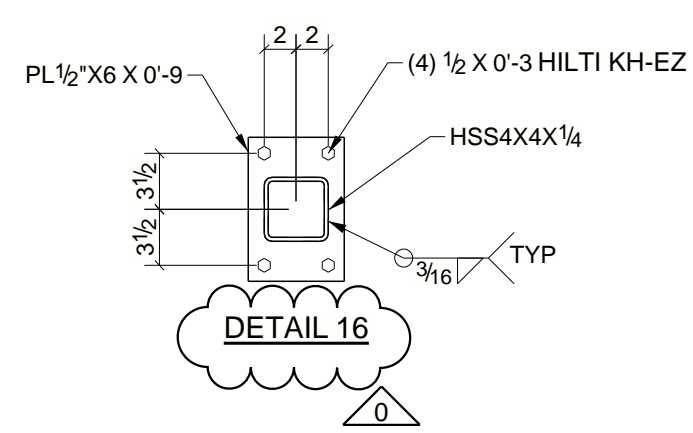
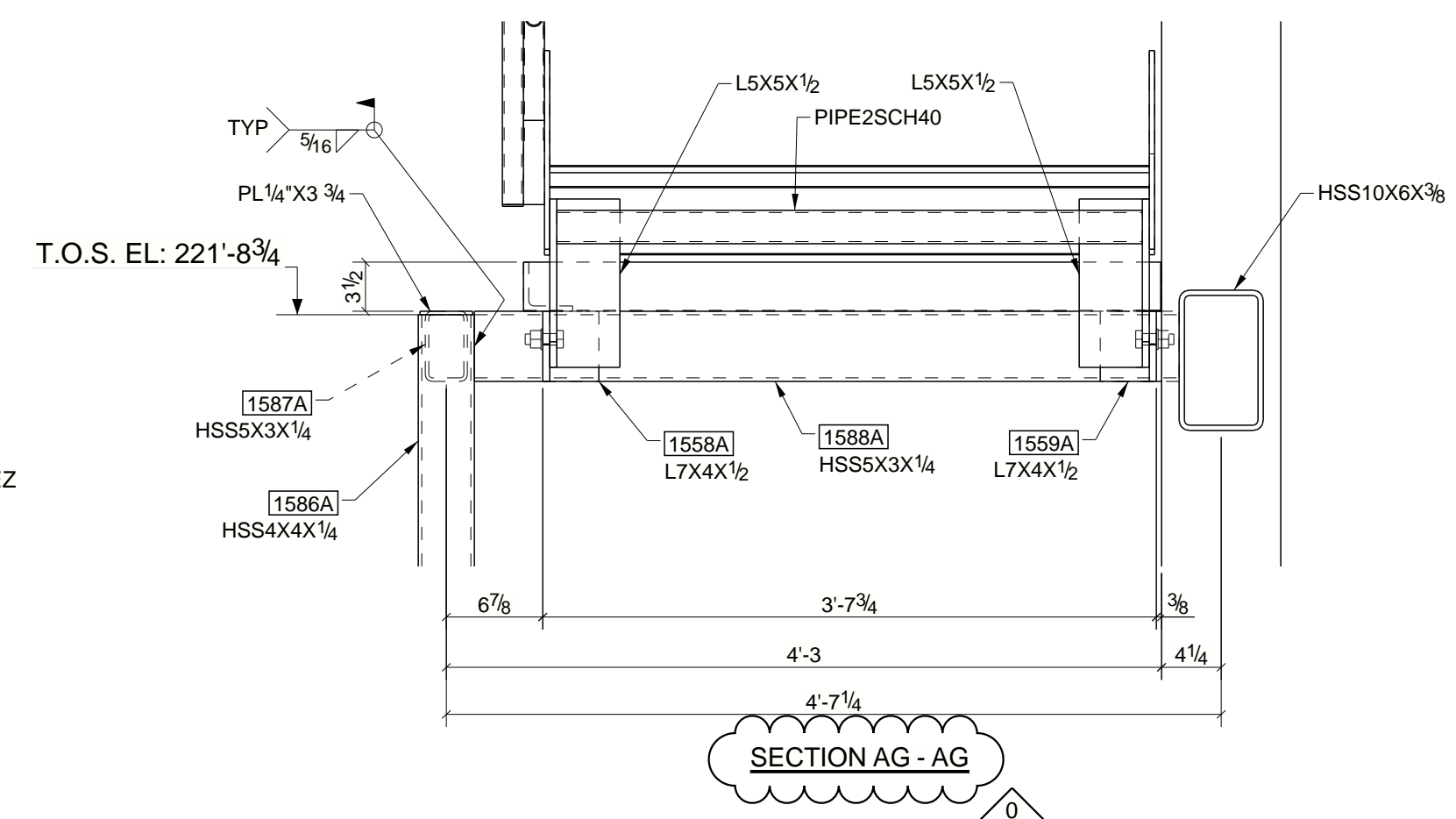
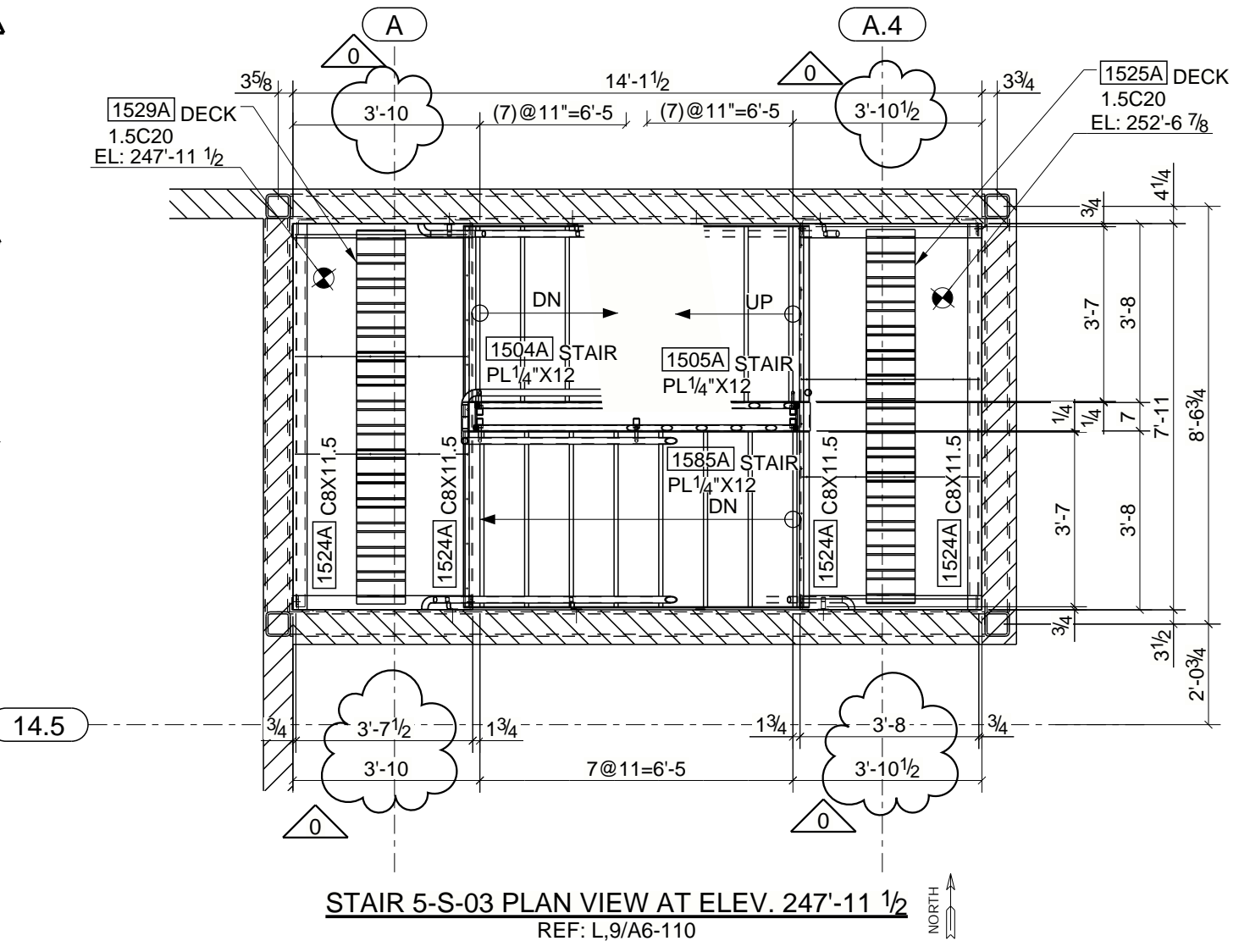
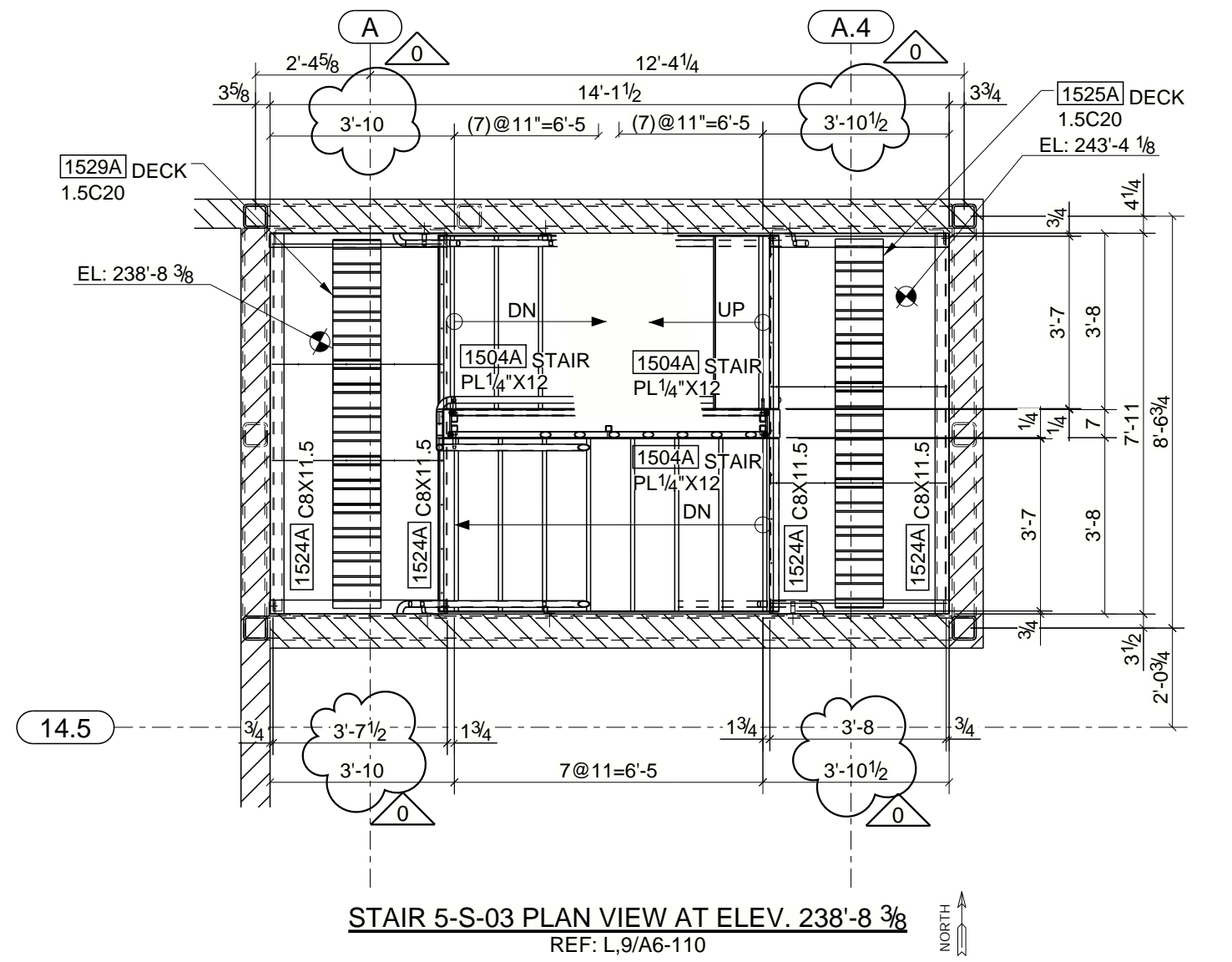
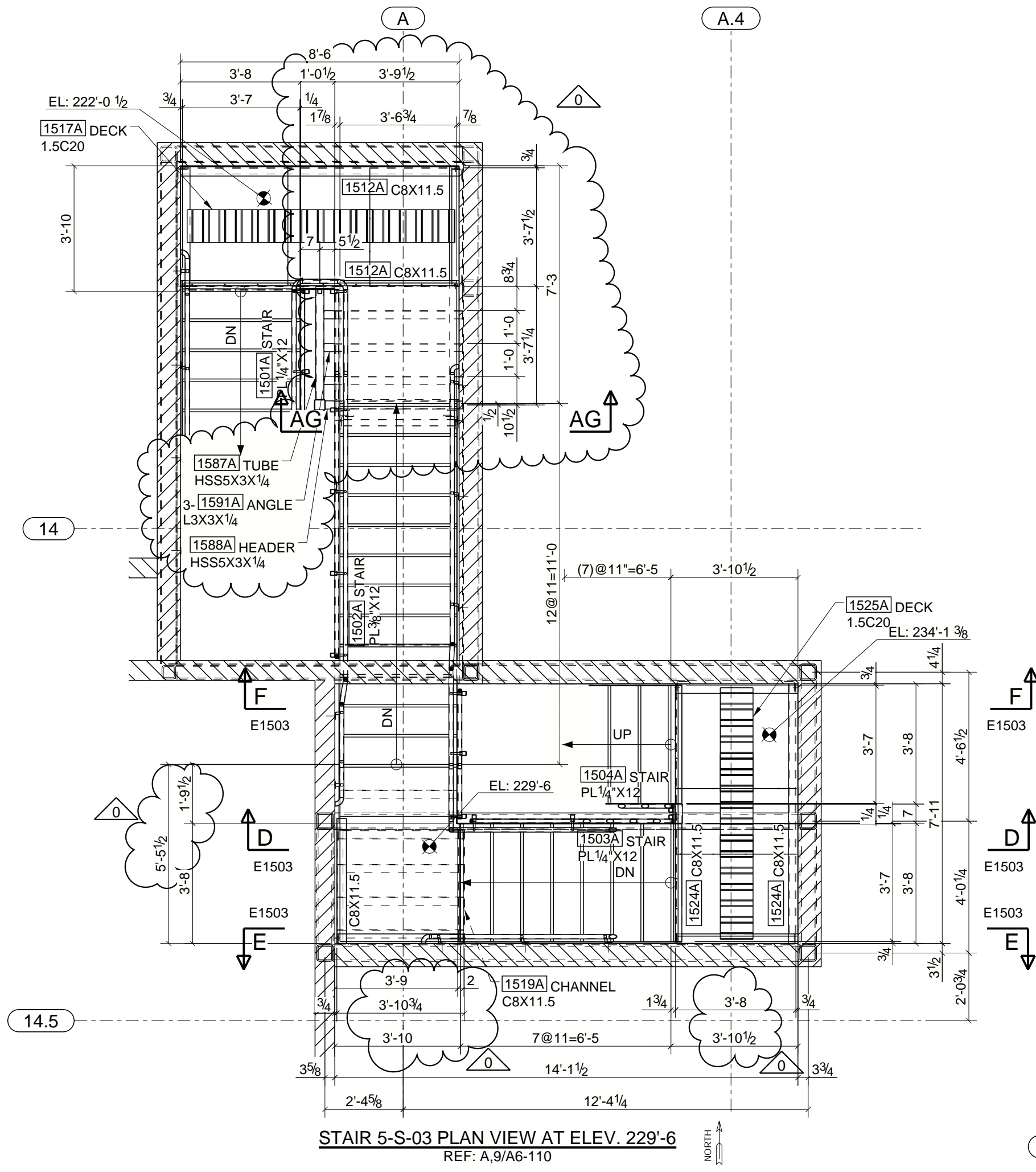
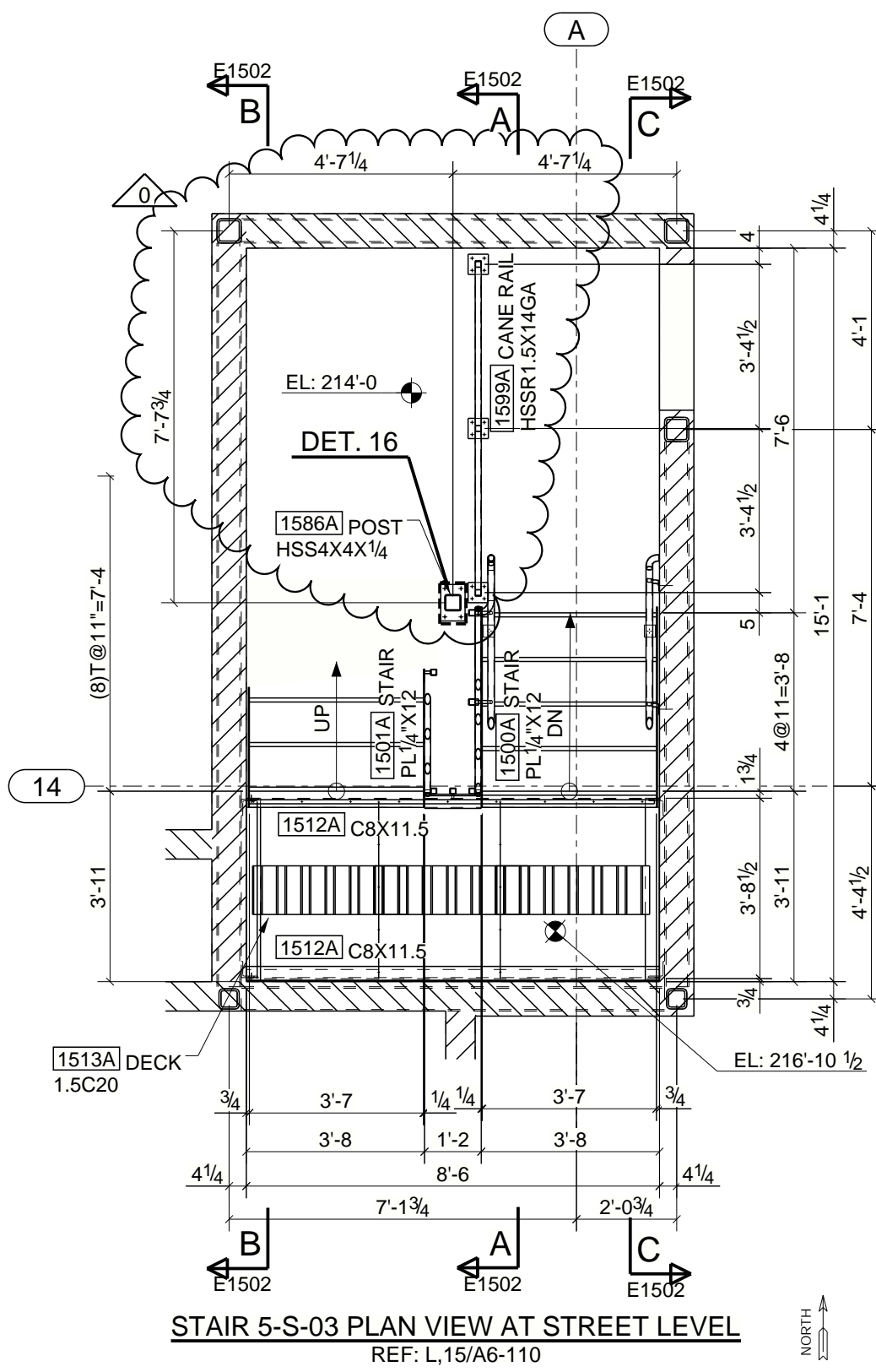
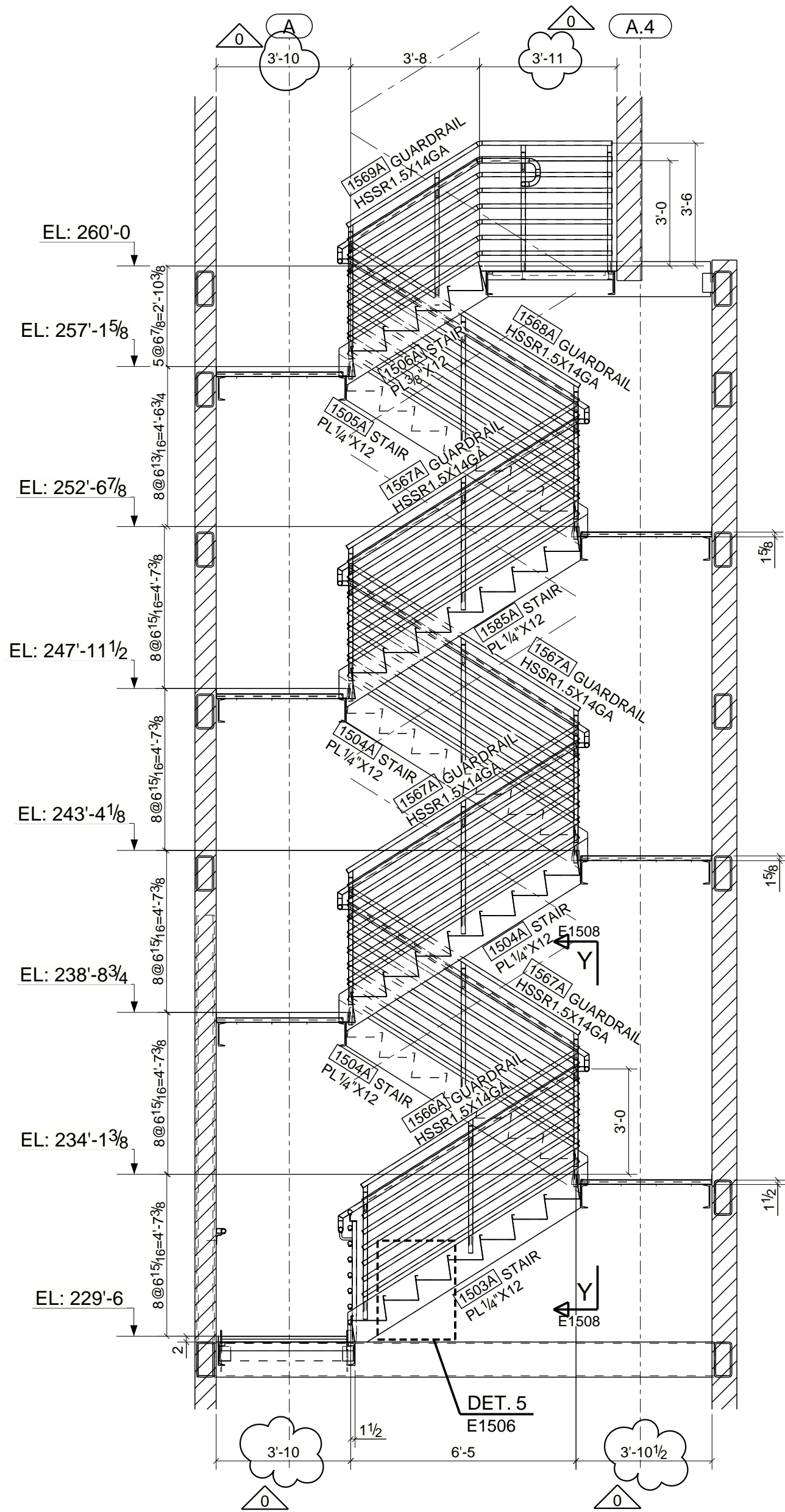
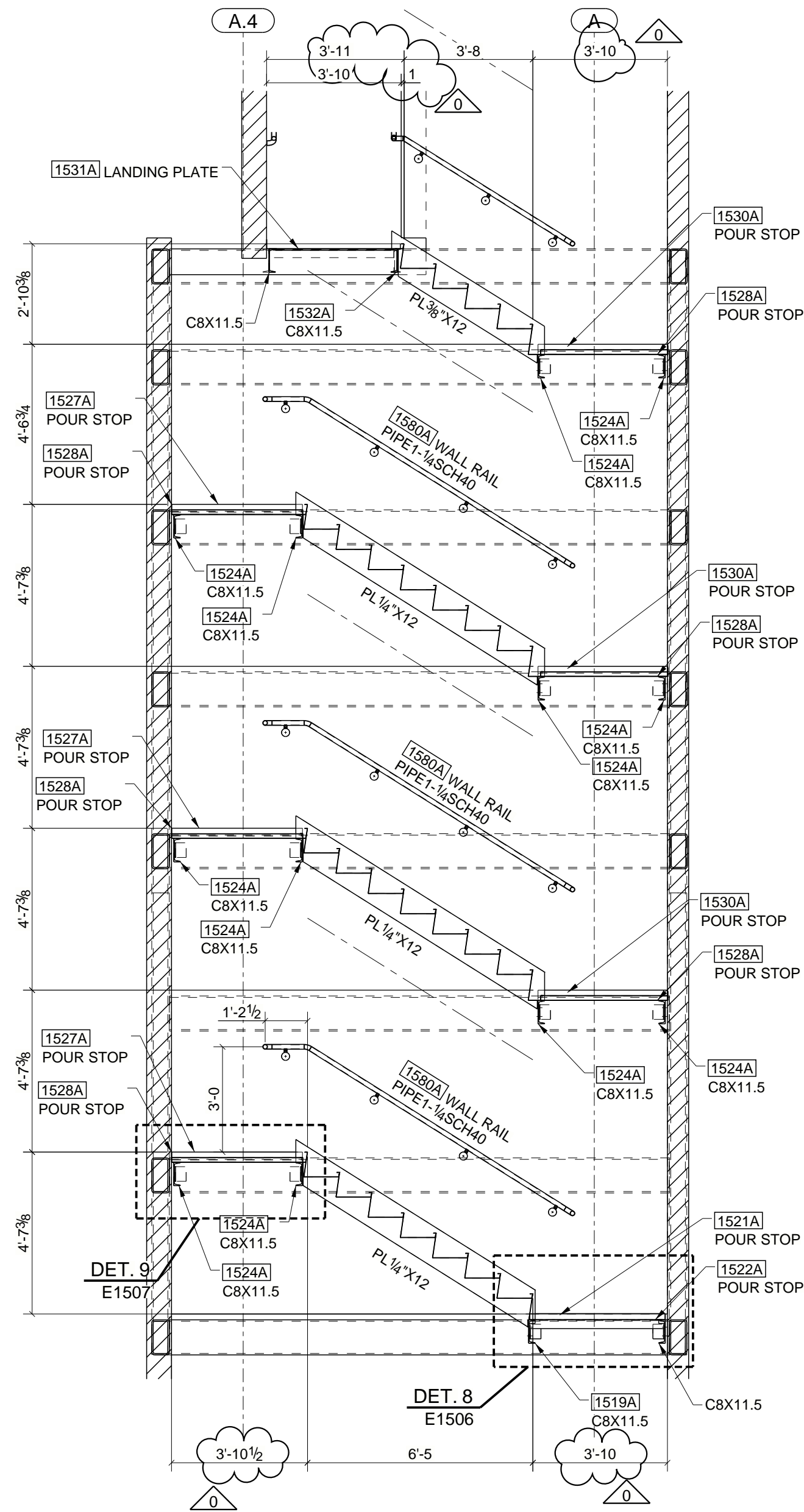


STAIR 5-S-03 ISOMETRIC VIEW

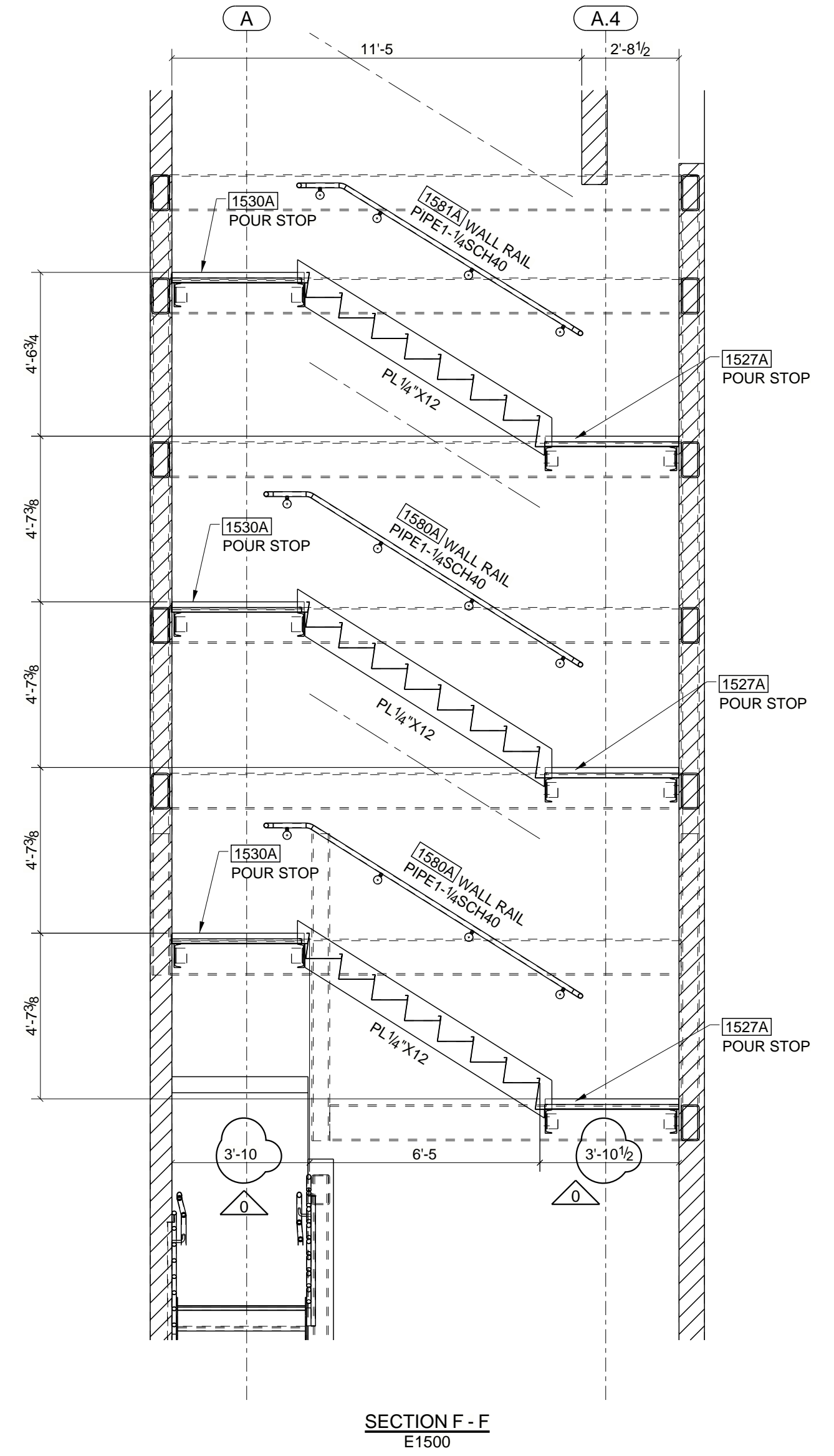




**SECTION D - D**  
E1500



**SECTION E - E**  
E1500

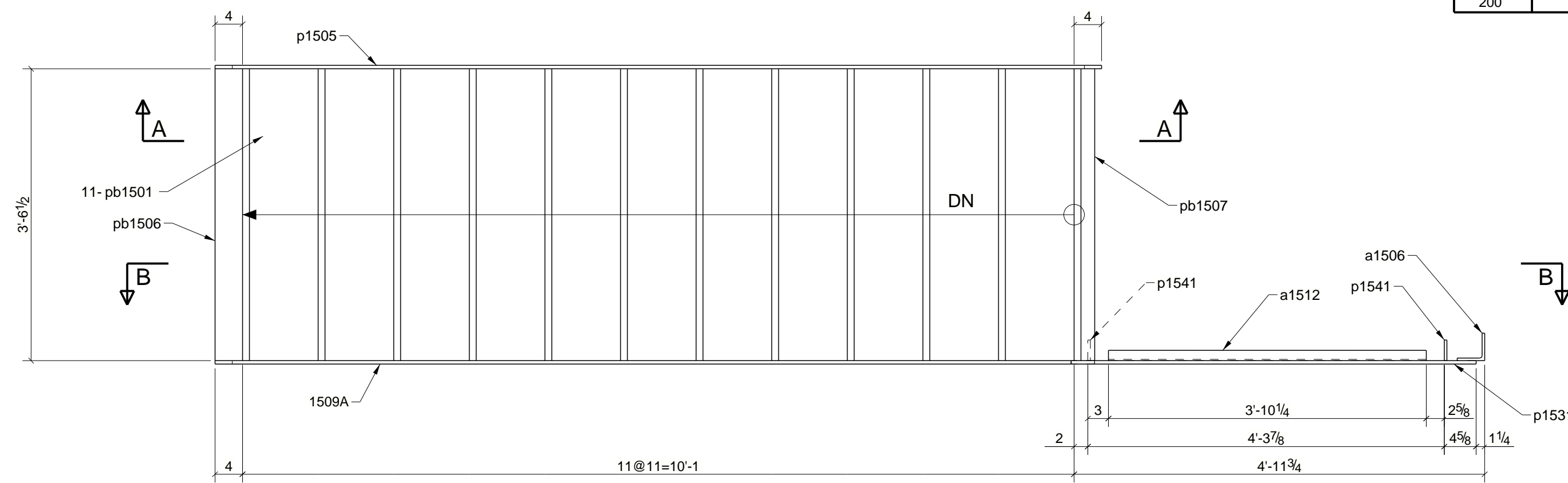


**SECTION F - F**  
E1500

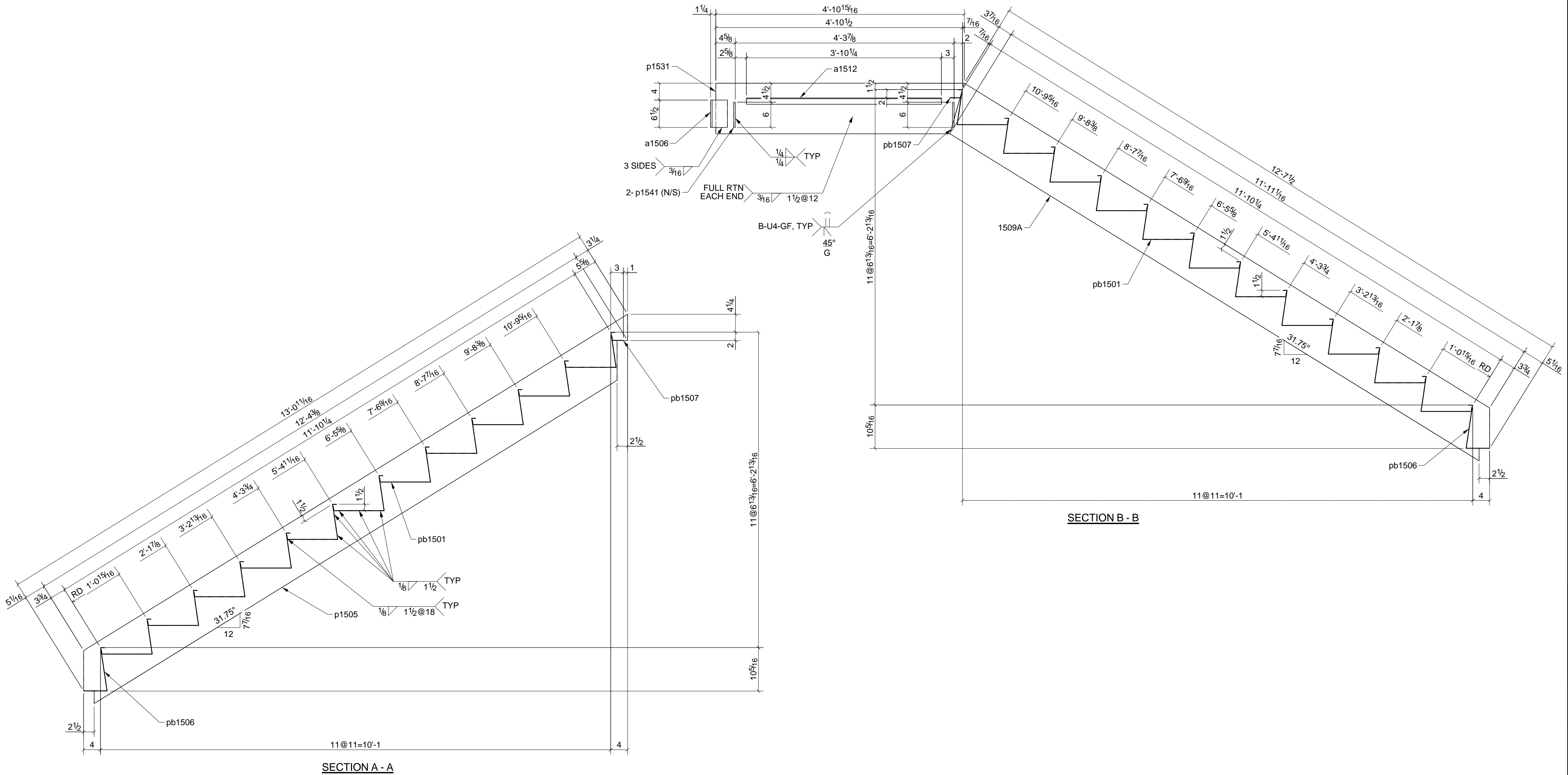
QTY.	SITE BOLTS	LENGTH	LOT #	QUANTITY
			200	1

# BILL OF MATERIAL

MARK	QTY	DESCRIPTION	LENGTH	WEIGHT	REMARKS
1509A	1	STAIR			
1509A	1	PL1/2"X12"	12'-7 1/2"	251	A36
a1506	1	L4X4X3/8	0'-6 1/2"	5	A36
a1512	1	L1-1/2X1-1/2X3/16	3'-10 1/4"	7	A36
p1505	1	PL1/2"X12"	13'-0 11/16"	254	A36
p1531	1	PL1/2"X12"	4'-10 15/16"	97	A36
p1541	2	PL3/8"X3"	0'-6"	4	A36
pb1501	11	SHT14GAX22 1/16"	3'-6 1/2"	231	A36
pb1506	1	SHT14GAX16 11/16"	3'-6 1/2"	16	A36
pb1507	1	SHT14GAX3 1/2"	3'-6 1/2"	3	A36
TOTAL WEIGHT THIS DRAWING				869	



## ONE - STAIR - 1509A



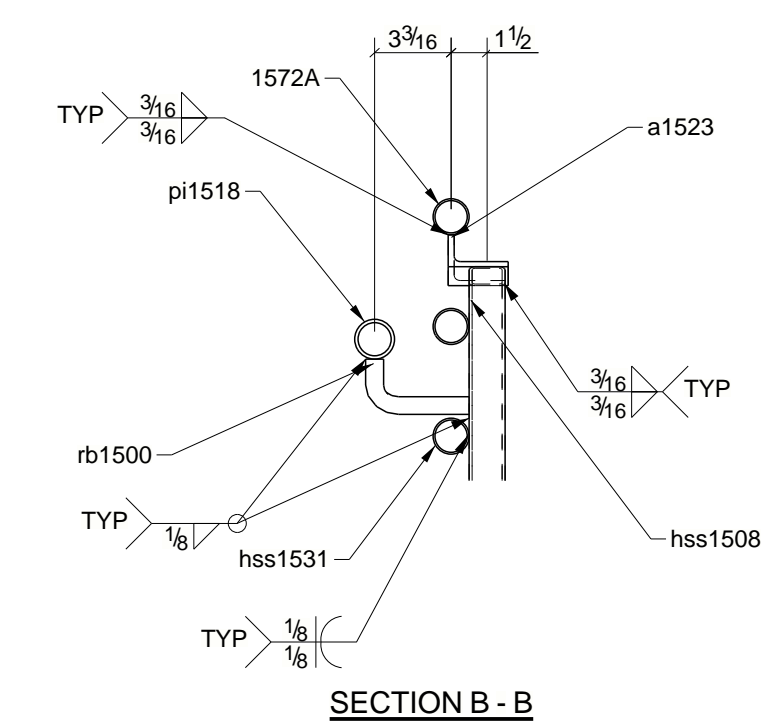
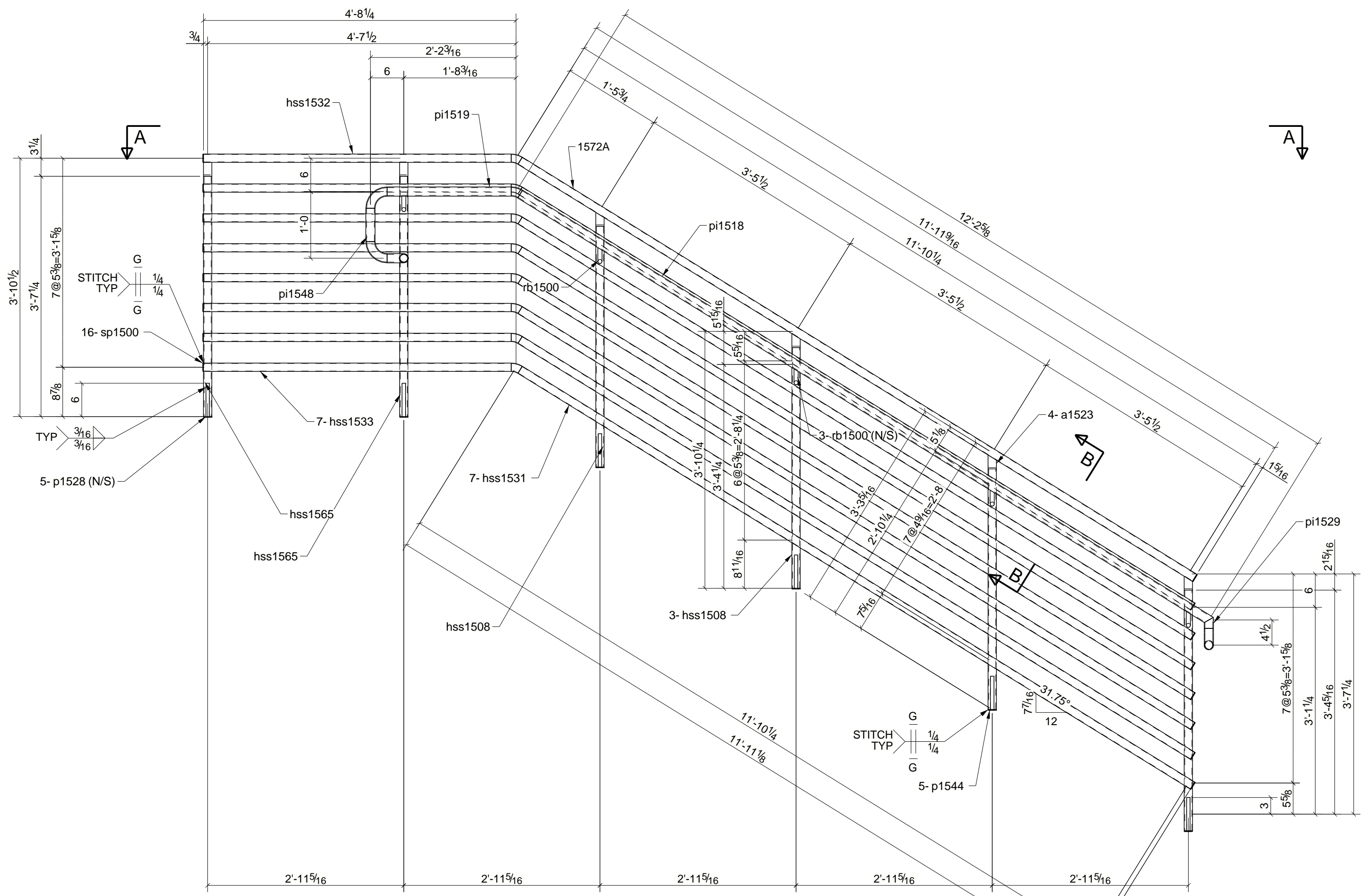
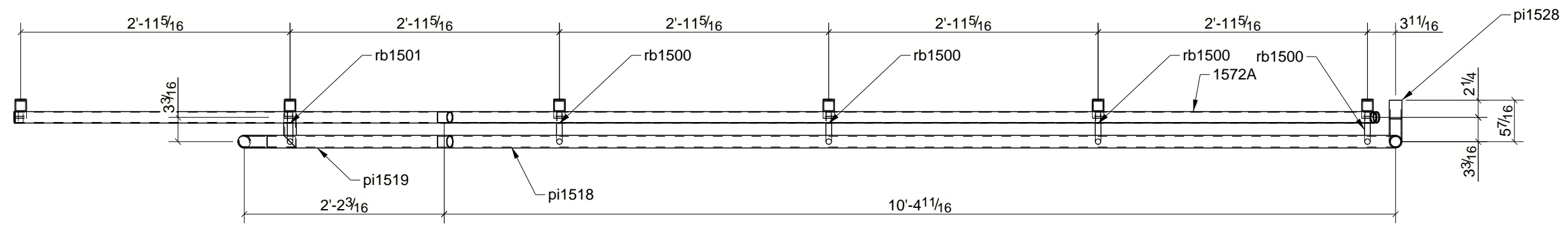
SECTION A - A

SECTION B - B

QTY.	SITE BOLTS	LENGTH	LOT #	QUANTITY
			200	1

# BILL OF MATERIAL

MARK	QTY	DESCRIPTION	LENGTH	WEIGHT	REMARKS												
1572A	1	GUARDRAIL															
1572A	1	HSSR1.5X14GA	11'-10 11/16"	25	A500												
a1523	4	L2-1/2X2-1/2X1/4	0'-1 1/2"	2	A36												
a1525	2	L2-1/2X2-1/2X1/4	0'-1 1/2"	1	A36												
hss1508	4	HSS1-1/2X1-1/2X11GA	3'-7 5/16"	30	A500												
hss1531	7	HSSR1.5X14GA	11'-10 1/4"	178	A500												
hss1532	1	HSSR1.5X14GA	4'-7 3/8"	10	A500												
hss1533	7	HSSR1.5X14GA	4'-7 3/8"	69	A500												
hss1565	2	HSS1-1/2X1-1/2X11GA	3'-7 1/4"	15	A500												
m1500	8	HSSR1.5X14GA	0'-1 11/16"	2	A500												
m1501	3	PIPE1-1/4SCH40	0'-4 11/16"	3	A500												
m1503	1	PIPE1-1/4SCH40	0'-1 11/16"	0	A500												
p1528	6	PL5/8"X1 1/2"	0'-6"	10	A36												
p1544	6	PL1/8"X1 1/2"	0'-1 1/2"	0	A36												
pi1518	1	PIPE1-1/4SCH40	12'-2 3/16"	26	A500												
pi1519	1	PIPE1-1/4SCH40	1'-10 5/16"	4	A500												
pi1525	1	PIPE1-1/4SCH40	0'-4 3/4"	1	A500												
pi1528	1	PIPE1-1/4SCH40	0'-2 7/16"	0	A500												
pi1529	1	PIPE1-1/4SCH40	0'-2"	0	A500												
pi1548	1	PIPE1-1/4SCH40	0'-6"	1	A500												
pi1553	1	PIPE1-1/4SCH40	0'-3 13/16"	1	A500												
rb1500	4	RB3/4"	0'-5 7/16"	3	A36												
rb1501	1	RB3/4"	0'-5 5/16"	1	A36 </tr <tr> <td>sp1500</td> <td>16</td> <td>WAGNER D045</td> <td>BOI</td> <td>1</td> <td>A36</td> </tr> <tr> <td colspan="4" style="text-align: right;">TOTAL WEIGHT THIS DRAWING</td> <td>384</td> <td></td> </tr>	sp1500	16	WAGNER D045	BOI	1	A36	TOTAL WEIGHT THIS DRAWING				384	
sp1500	16	WAGNER D045	BOI	1	A36												
TOTAL WEIGHT THIS DRAWING				384													



## ONE - GUARDRAIL - 1572A

PLANT NOTE: DIMENSIONS ARE TO END OF CUT WHERE CAPPED