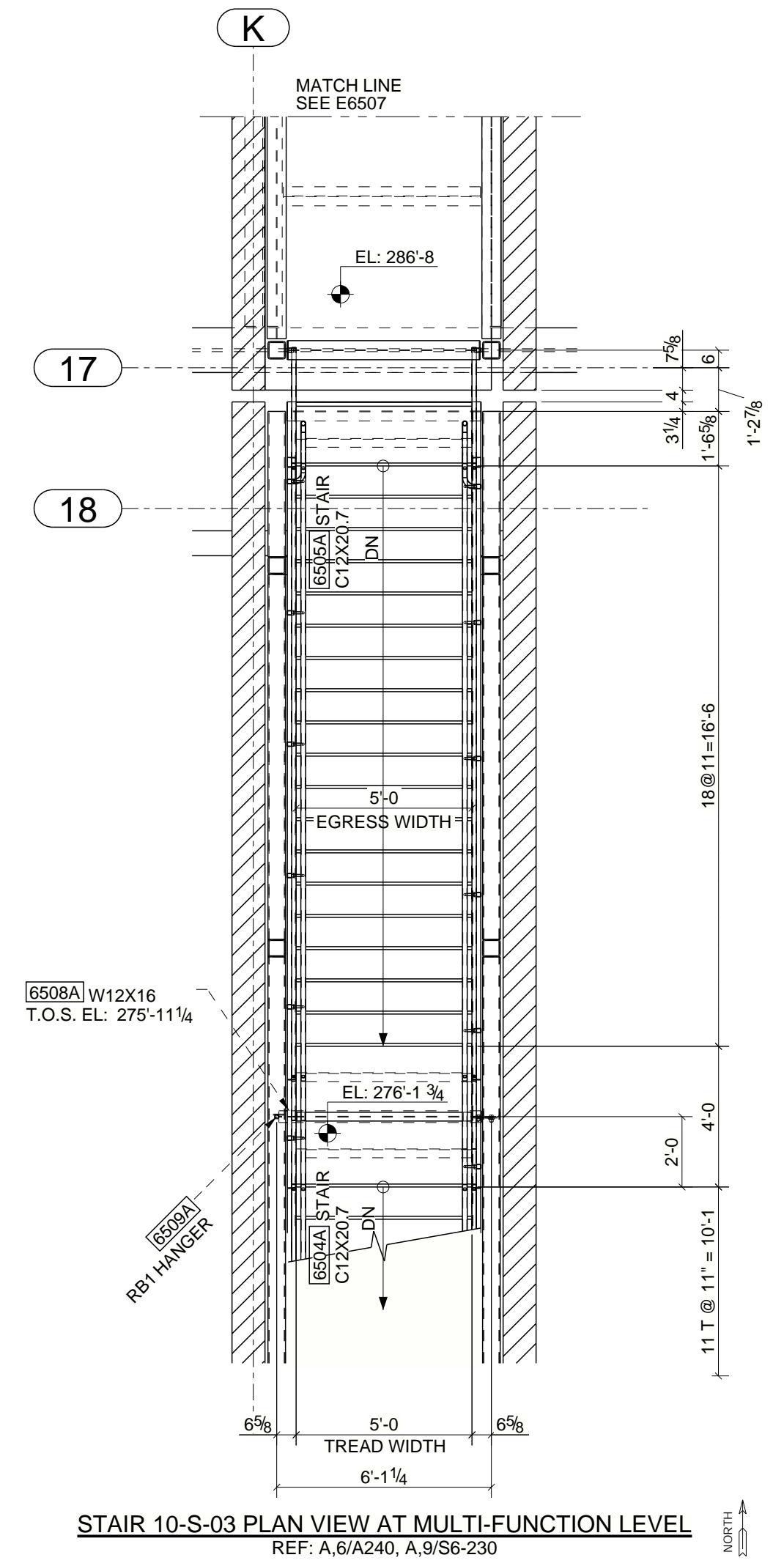
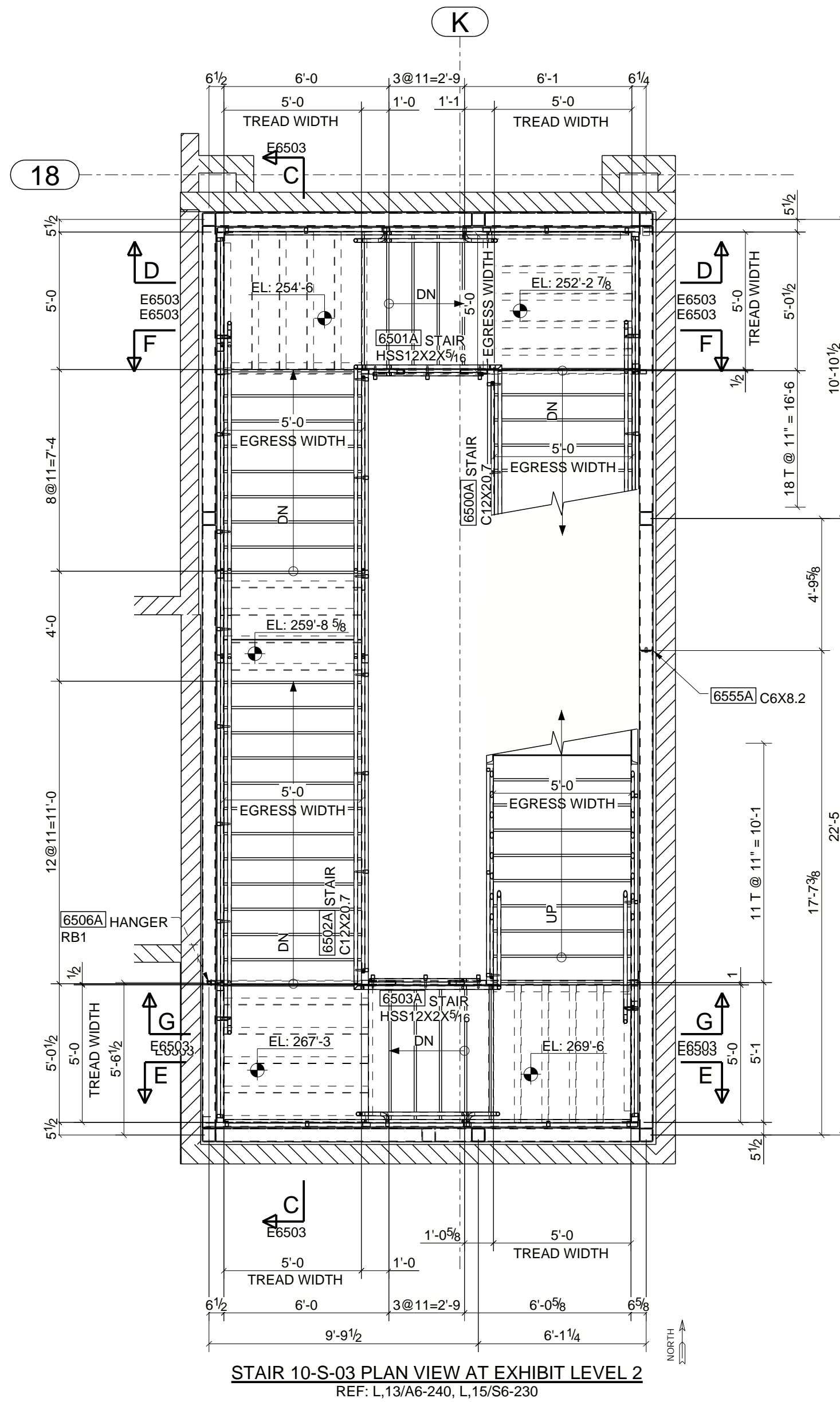
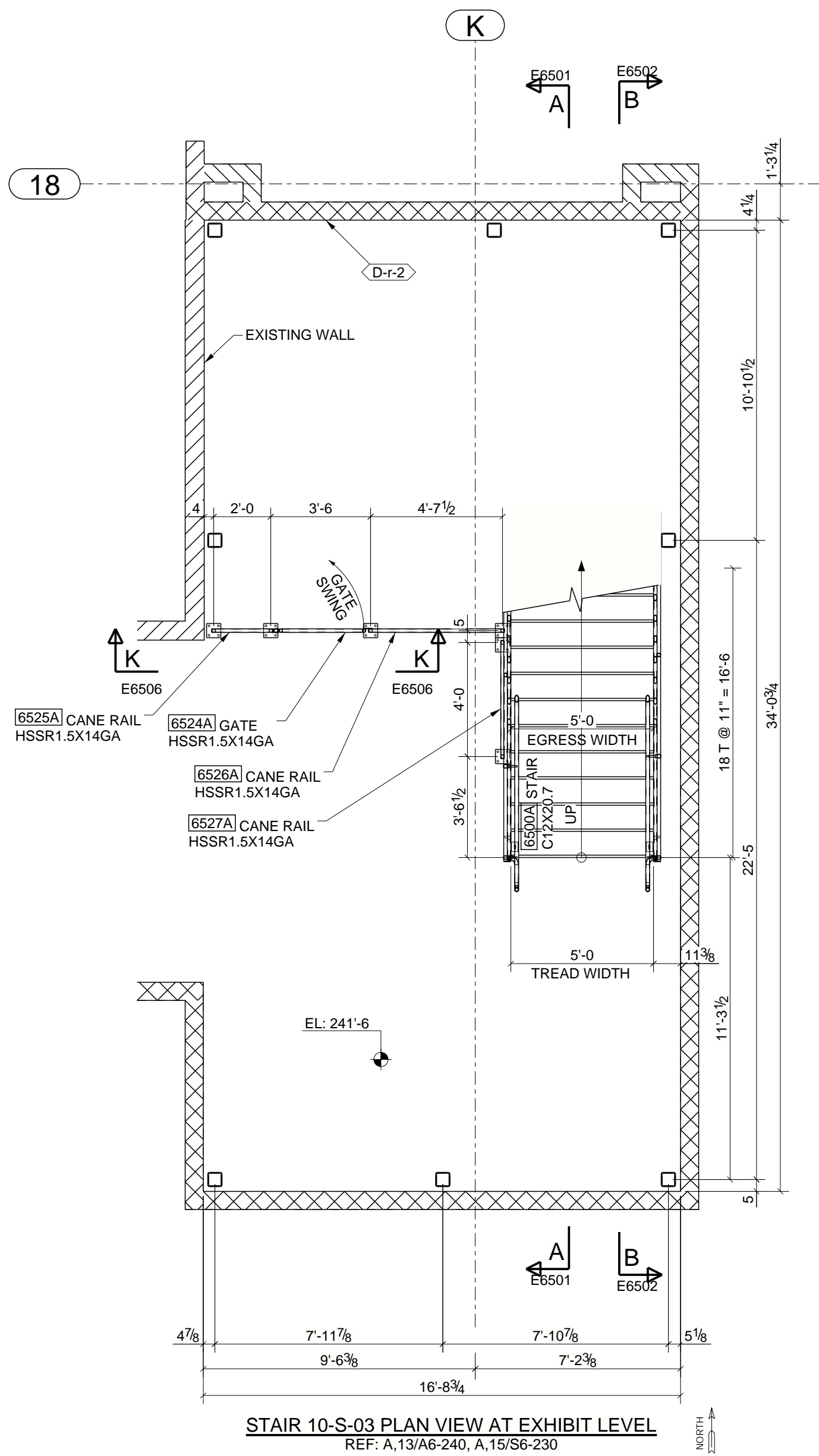
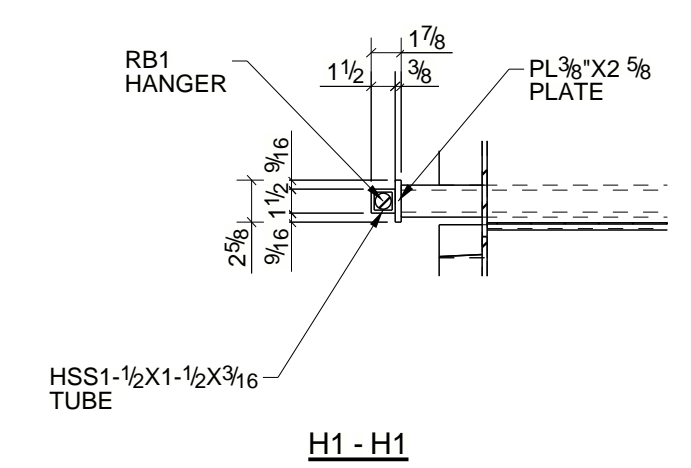
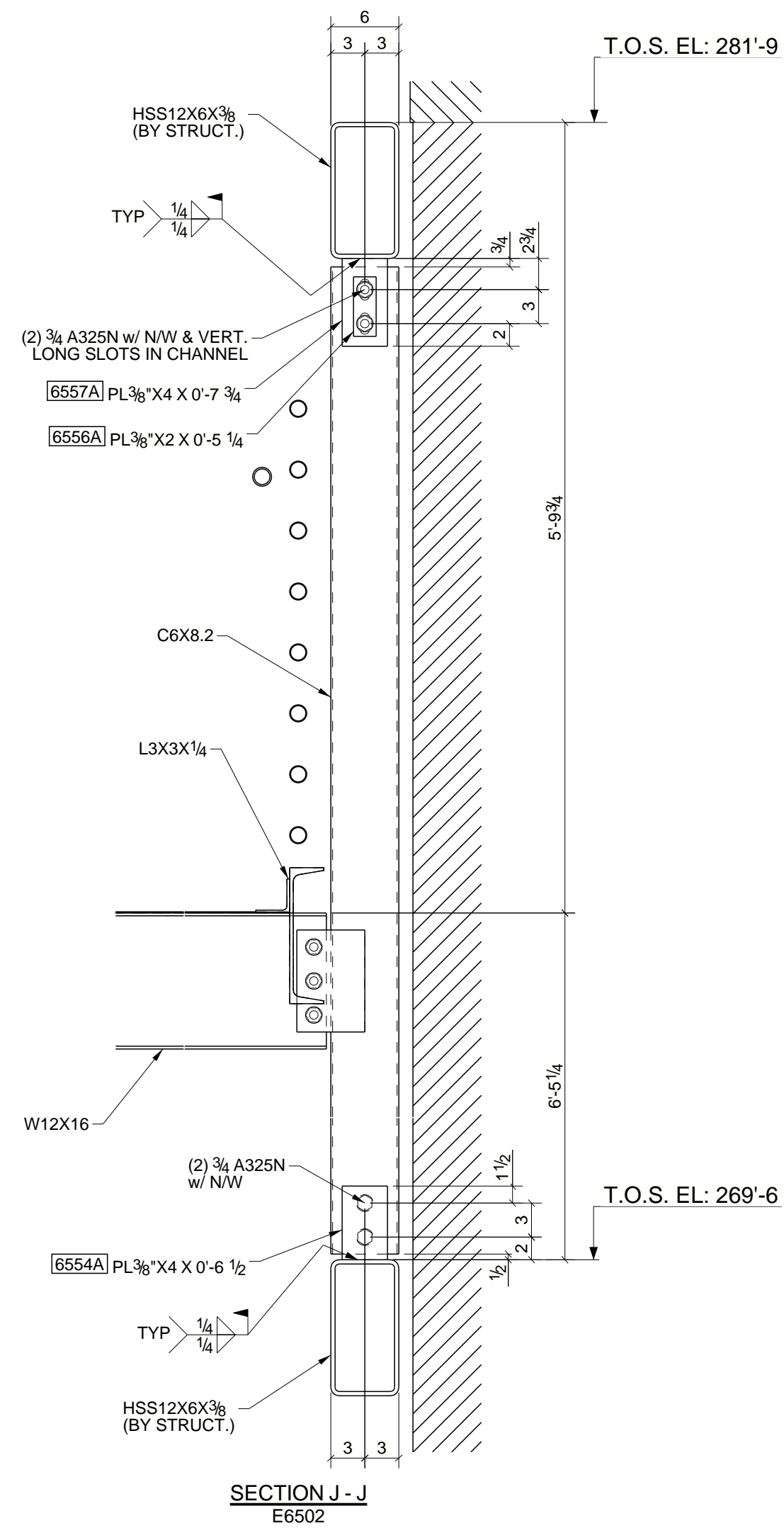
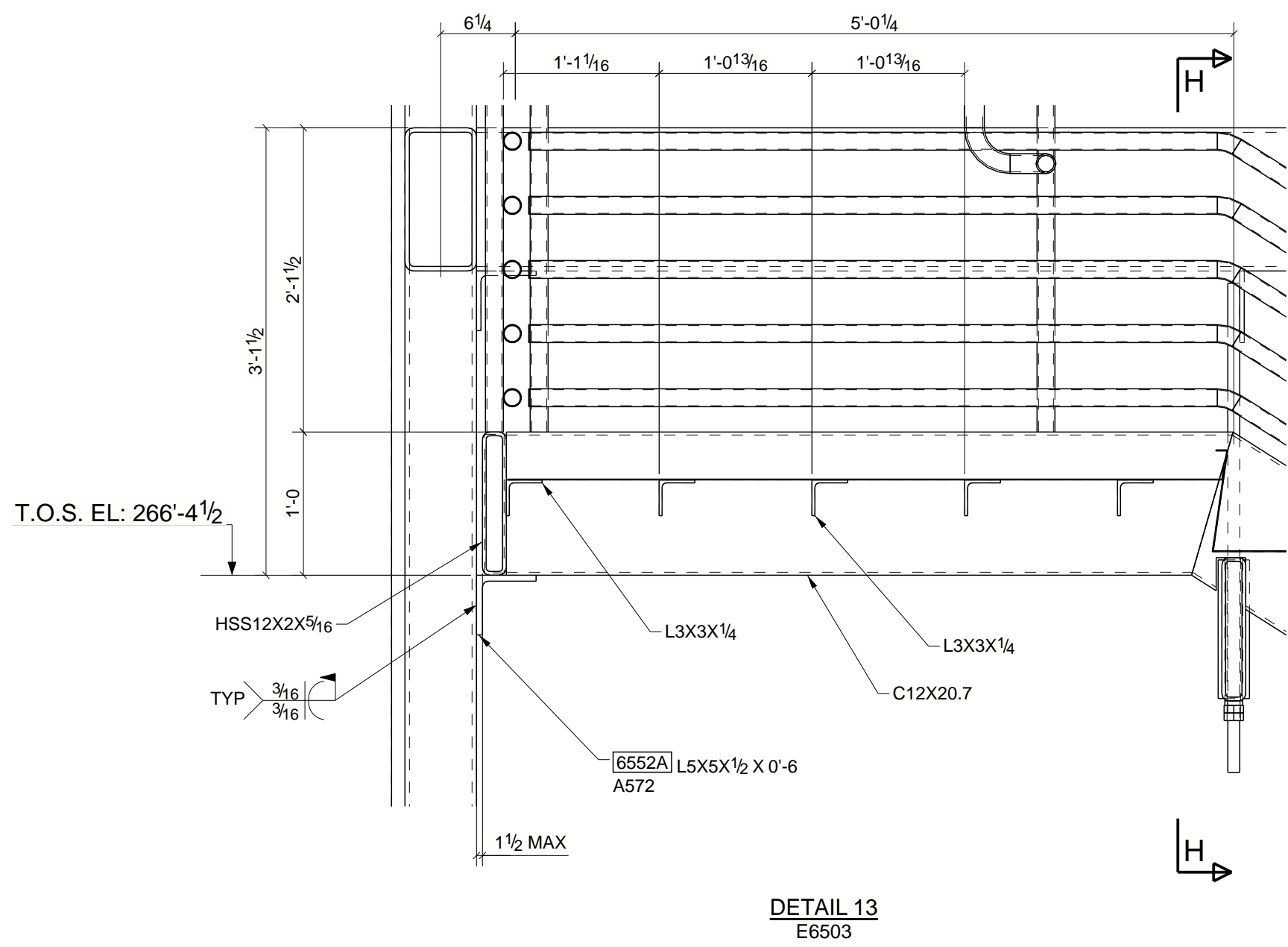
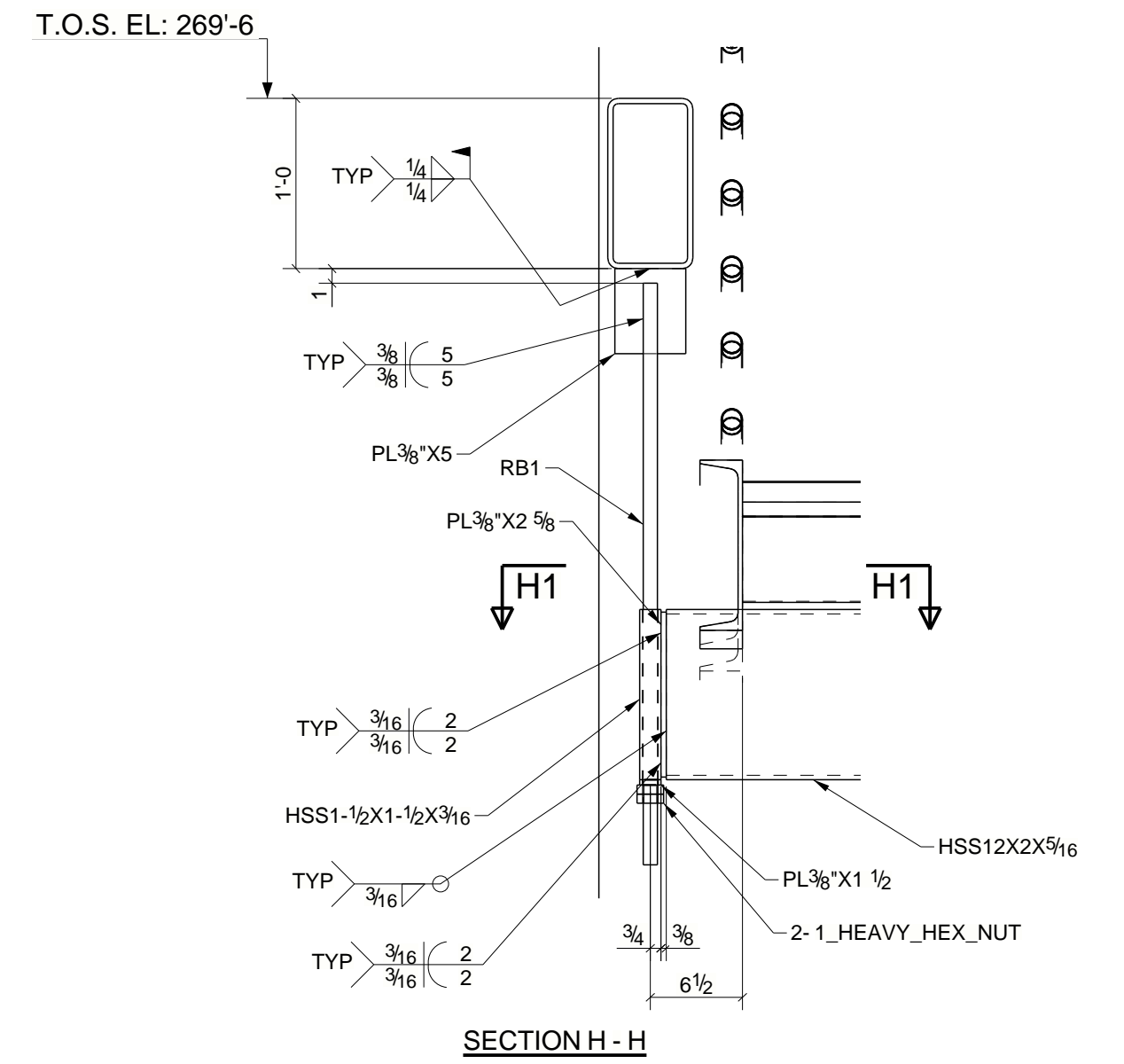
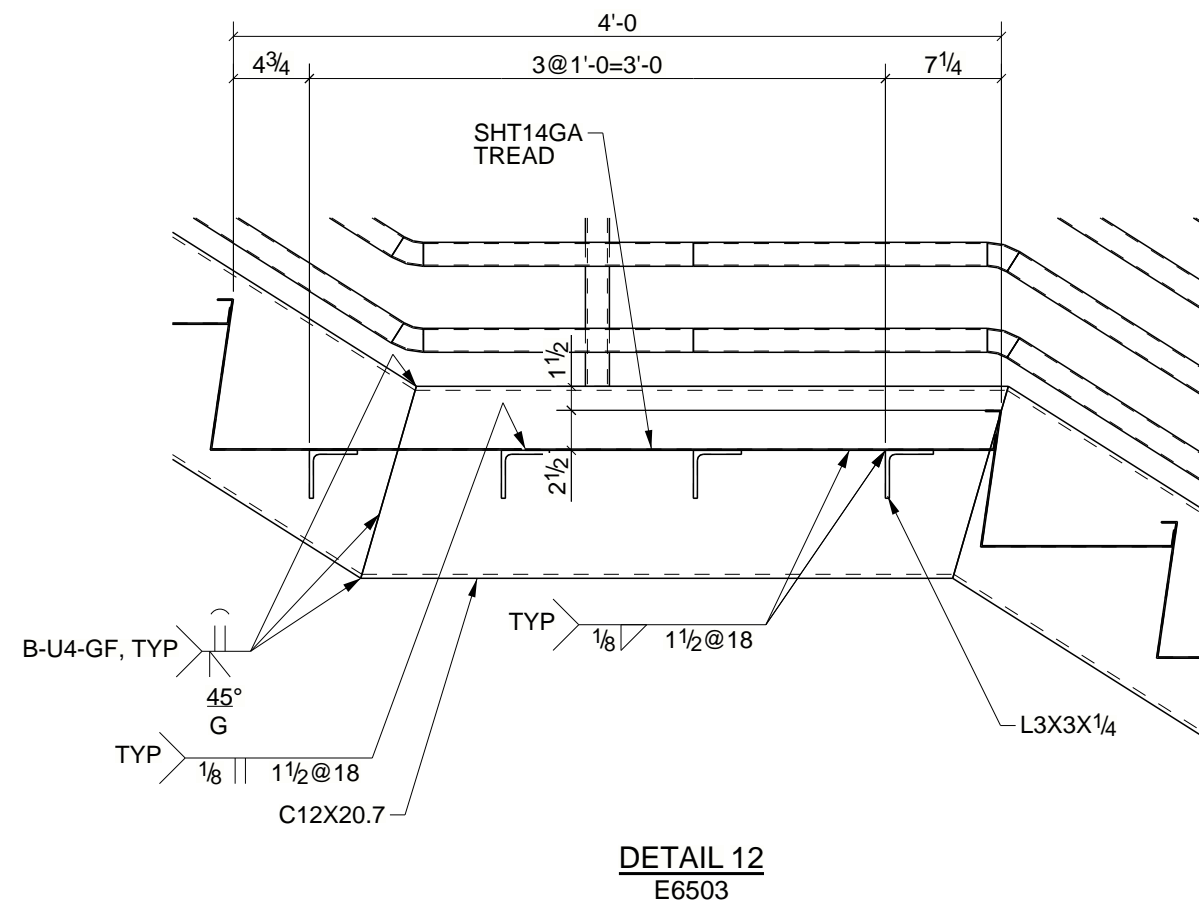
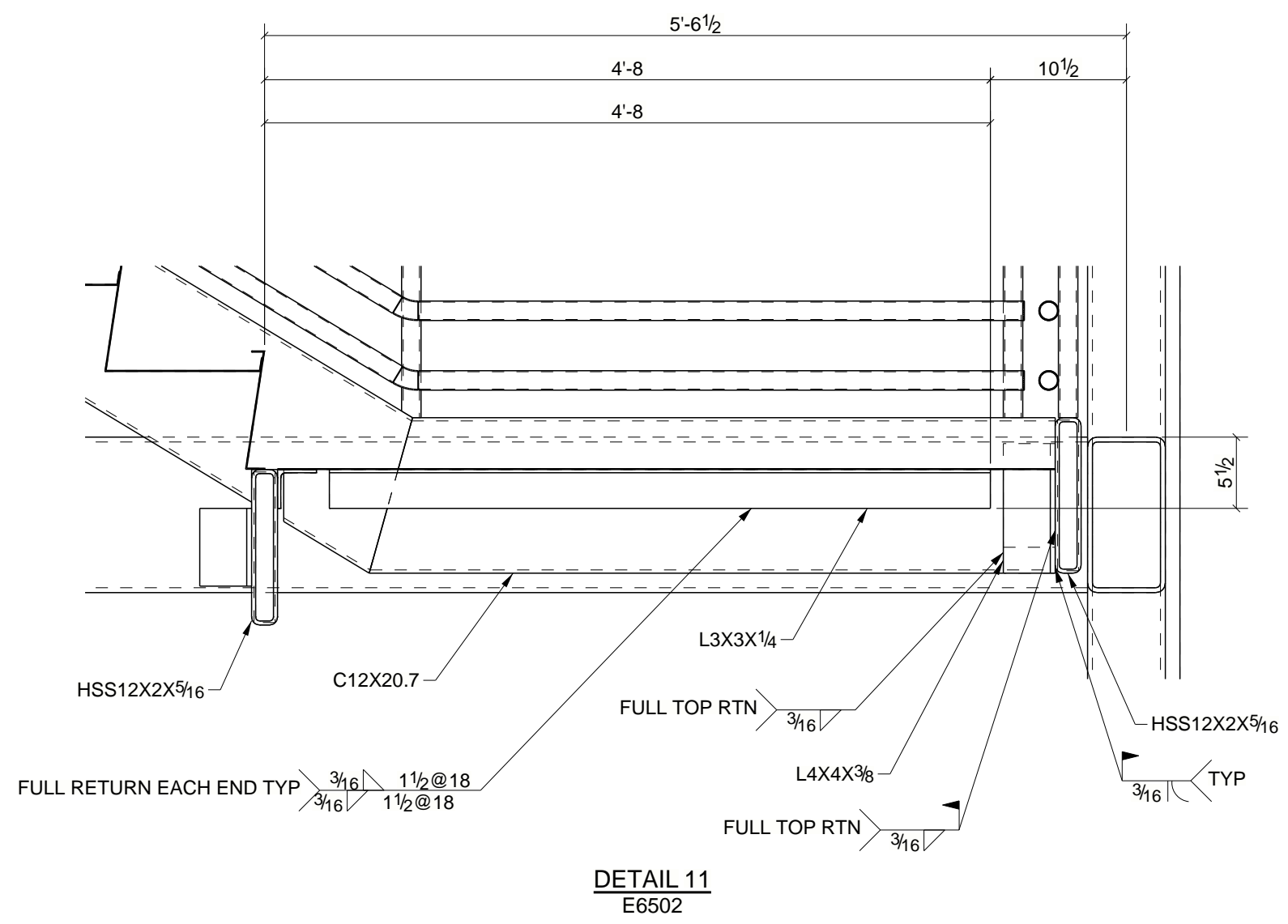


STAIR 10-S-03 ISOMETRIC VIEW

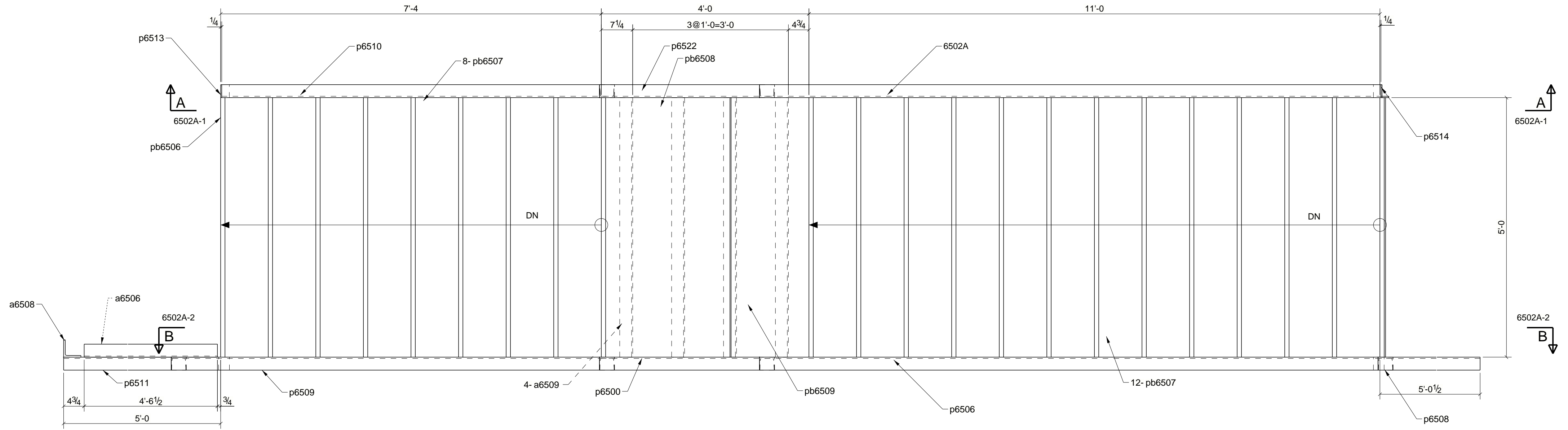




QTY.	SITE BOLTS	LENGTH	LOT #	QUANTITY
			1	1

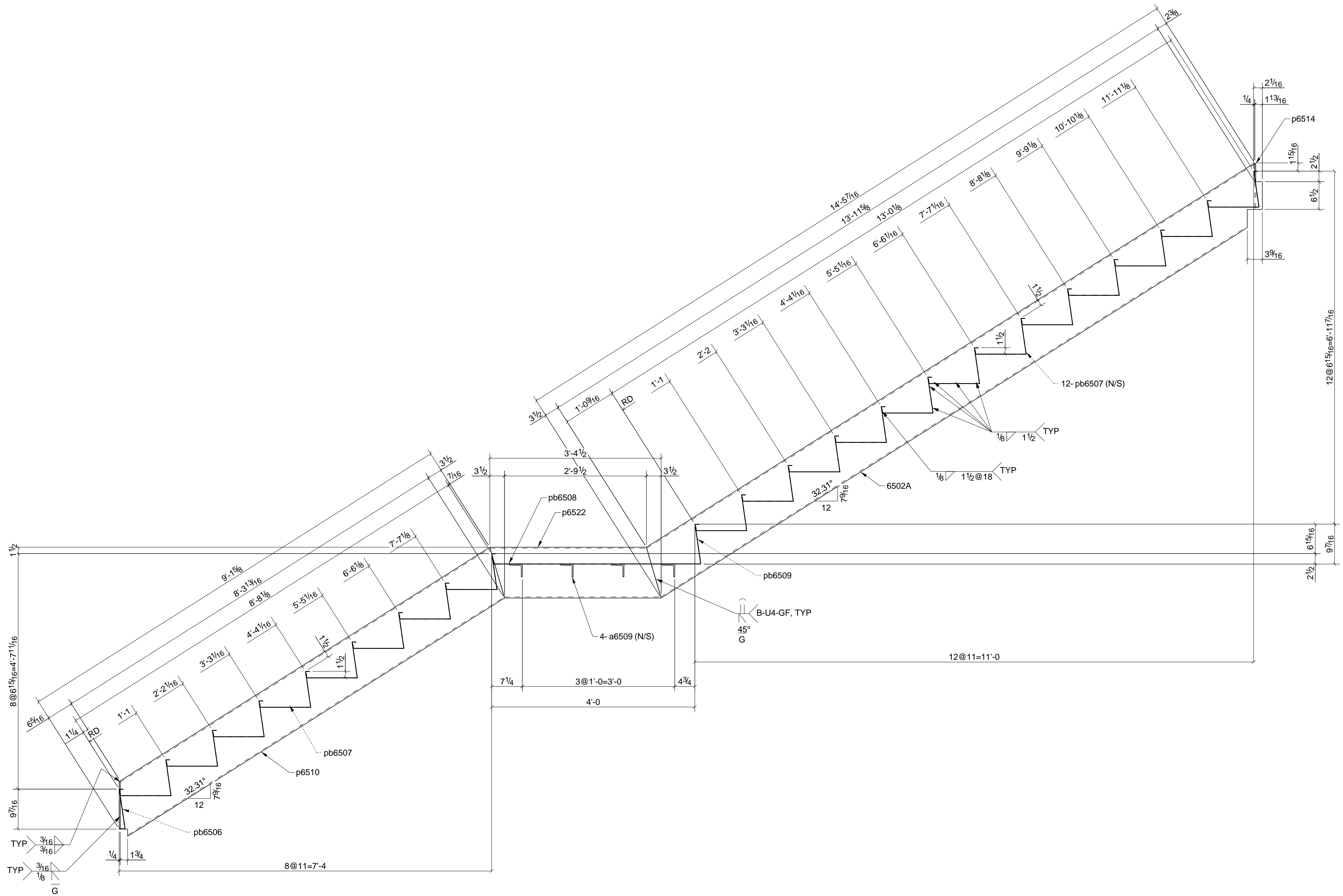
BILL OF MATERIAL

MARK	QTY	DESCRIPTION	LENGTH	WEIGHT	REMARKS
6502A	1	STAIR			
6502A	1	C12X20.7	14'-5 7/16"	299	A572-50
a6506	1	L3X3X1/4	4'-6 1/2"	22	A36
a6508	1	L4X4X3/8	0'-8"	6	A36
a6509	4	L3X3X1/4	5'-0"	98	A36
p6500	1	C12X20.7	3'-4 1/2"	70	A572-50
p6506	1	C12X20.7	14'-4 5/8"	298	A572-50
p6508	1	C12X20.7	5'-0 15/16"	105	A572-50
p6509	1	C12X20.7	10'-0 5/8"	208	A572-50
p6510	1	C12X20.7	9'-1 7/16"	189	A572-50
p6511	1	C12X20.7	4'-4 1/16"	90	A572-50
p6513	1	PL1/4"X3"	0'-11 1/4"	2	A36
p6514	1	PL1/4"X3"	0'-10 3/4"	2	A36
p6522	1	C12X20.7	3'-4 1/2"	70	A572-50
pb6506	1	SHT14GAX11 5/8"	5'-0"	16	A36
pb6507	20	SHT14GAX22 3/16"	5'-0"	597	A36
pb6508	1	SHT14GAX30 1/8"	5'-0"	40	A36
pb6509	1	SHT14GAX29 5/8"	5'-0"	40	A36
TOTAL WEIGHT THIS DRAWING				2151	



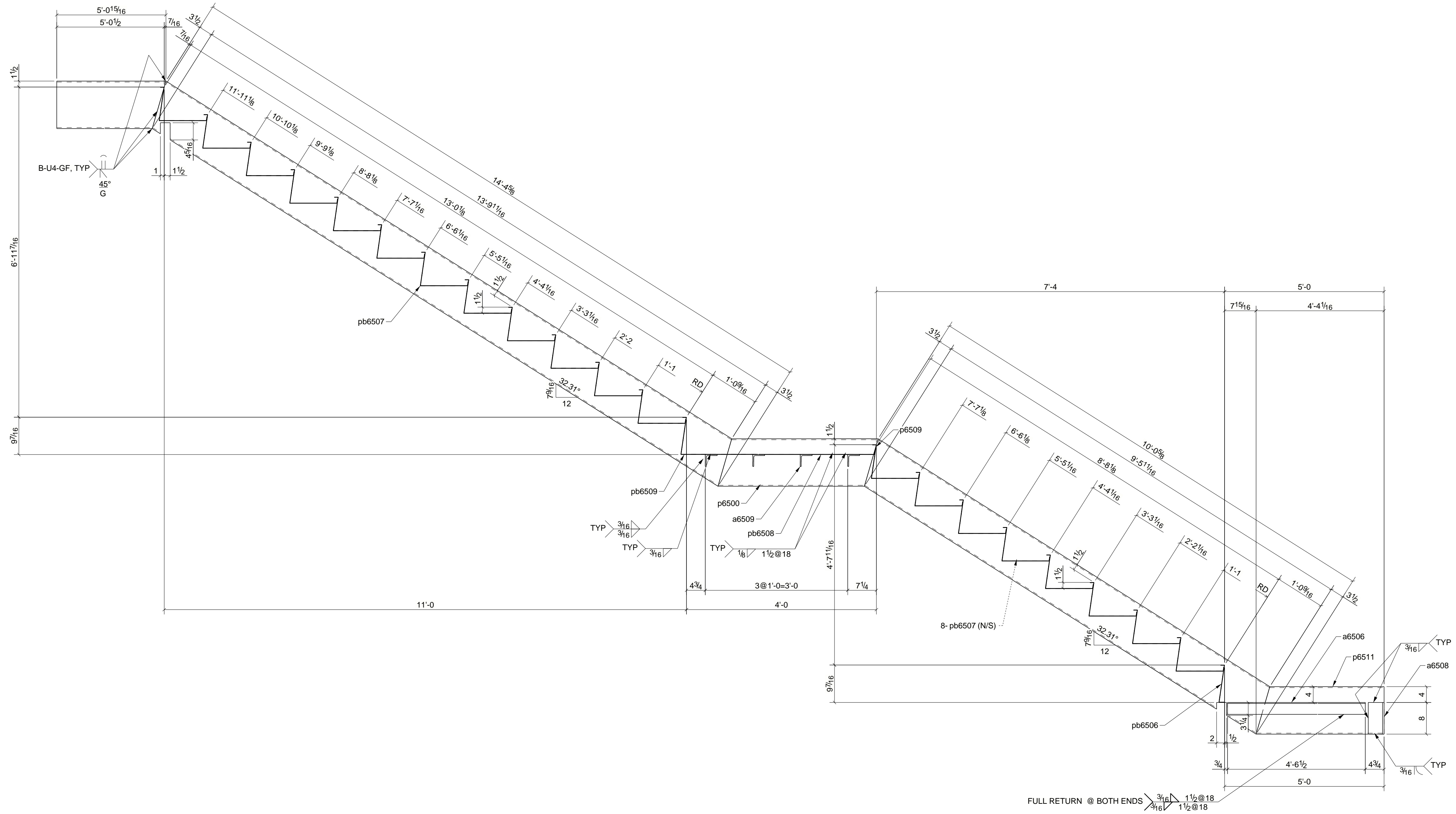
ONE - STAIR - 6502A

PLANT NOTE: WORK THIS DRAWING WITH 6502A-1 AND 6502A-2



SECTION A - A
6502A

PLANT NOTE: WORK THIS DRAWING WITH 6502A AND 6502A-2



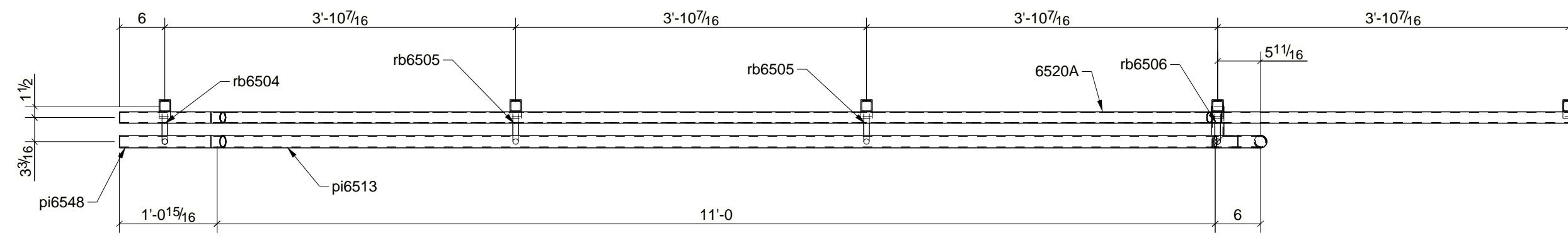
SECTION B - B
6502A

PLANT NOTE: WORK THIS DRAWING WITH 6502A AND 6502A-1

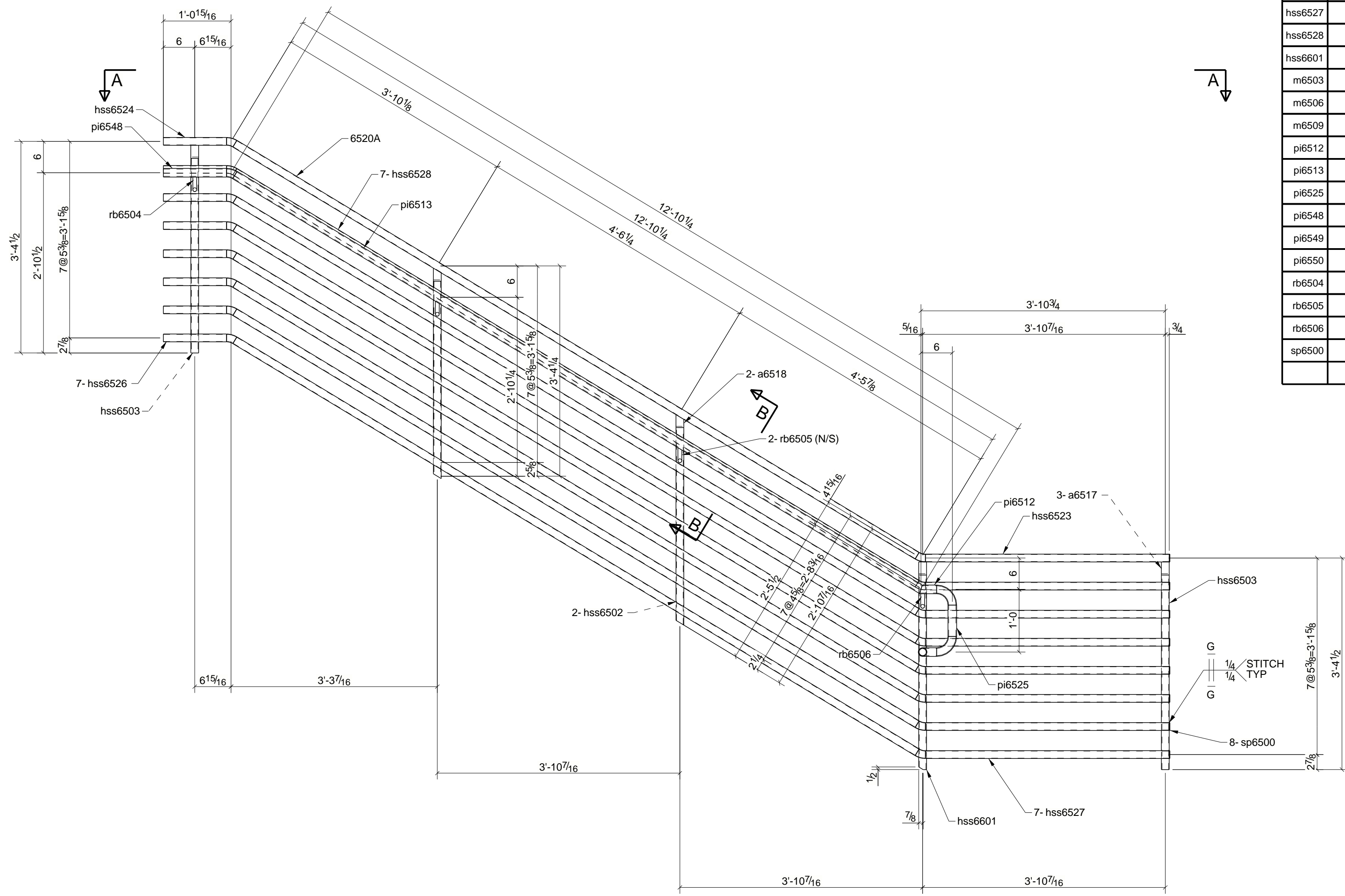
QTY.	SITE BOLTS	LENGTH	LOT #	QUANTITY
			1	1

BILL OF MATERIAL

MARK	QTY	DESCRIPTION	LENGTH	WEIGHT	REMARKS
6520A	1	GUARDRAIL			
6520A	1	HSSR1.5X14GA	12'-8 1/2"	27	A500
a6517	3	L2-1/2X2-1/2X1/4	0'-1 1/2"	2	A36
a6518	2	L2-1/2X2-1/2X1/4	0'-1 1/2"	1	A36
hss6502	2	HSS1-1/2X1-1/2X11GA	3'-1 13/16"	13	A500B
hss6503	2	HSS1-1/2X1-1/2X11GA	3'-1 1/4"	13	A500B
hss6523	1	HSSR1.5X14GA	3'-10 5/8"	8	A500
hss6524	1	HSSR1.5X14GA	1'-0 1/16"	2	A500
hss6526	7	HSSR1.5X14GA	1'-0 1/16"	15	A500
hss6527	7	HSSR1.5X14GA	3'-10 5/8"	58	A500
hss6528	7	HSSR1.5X14GA	12'-8 1/2"	191	A500
hss6601	1	HSS1-1/2X1-1/2X11GA	3'-1 1/4"	6	A500B
m6503	16	HSSR1.5X14GA	0'-1 5/8"	5	A500
m6506	2	PIPE1-1/4SCH40	0'-4 11/16"	2	A500
m6509	1	PIPE1-1/4SCH40	0'-1 5/8"	0	A500
pi6512	1	PIPE1-1/4SCH40	0'-3 1/4"	1	A500
pi6513	1	PIPE1-1/4SCH40	12'-9 9/16"	27	A500
pi6525	1	PIPE1-1/4SCH40	0'-6"	1	A500
pi6548	1	PIPE1-1/4SCH40	1'-0 1/16"	2	A500
pi6549	1	PIPE1-1/4SCH40	0'-3 1/2"	1	A500
pi6550	1	PIPE1-1/4SCH40	0'-5 1/2"	1	A500
rb6504	1	RB3/4"	0'-5 5/16"	1	A36
rb6505	2	RB3/4"	0'-5 7/16"	1	A36
rb6506	1	RB3/4"	0'-5 5/16"	1	A36
sp6500	8	WAGNER D045	BOI	0	A36
TOTAL WEIGHT THIS DRAWING				379	

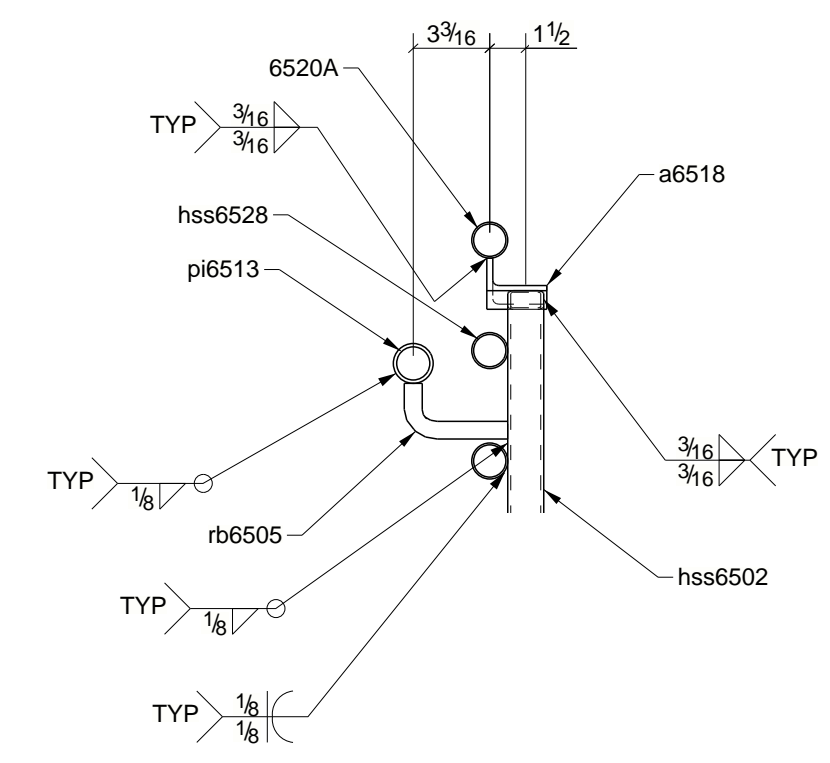


SECTION A - A



A

B



SECTION B - B

ONE - GUARDRAIL - 6520A

PLANT NOTE: DIMENSIONS ARE TO END OF CUT WHERE CAPPED