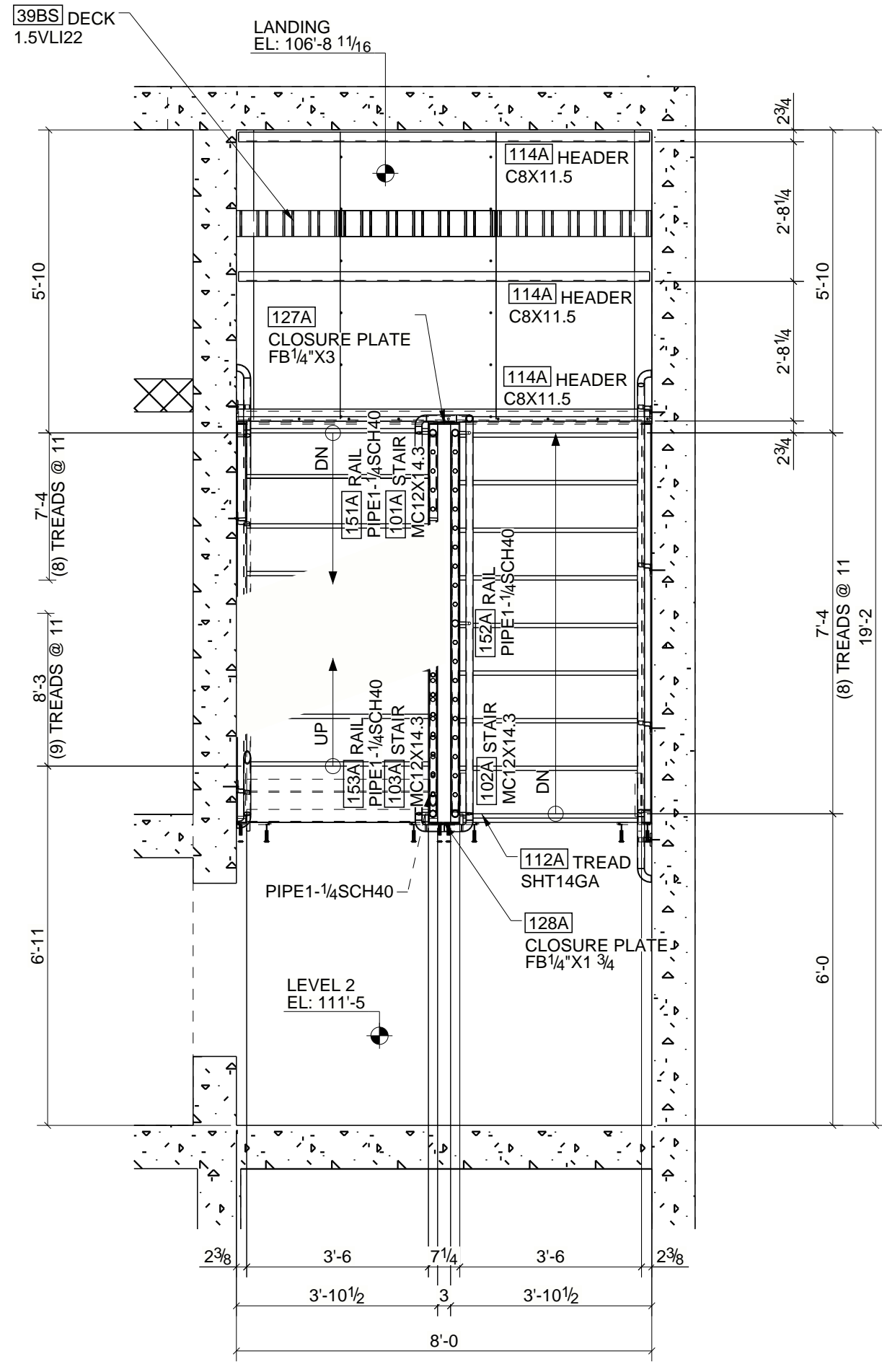
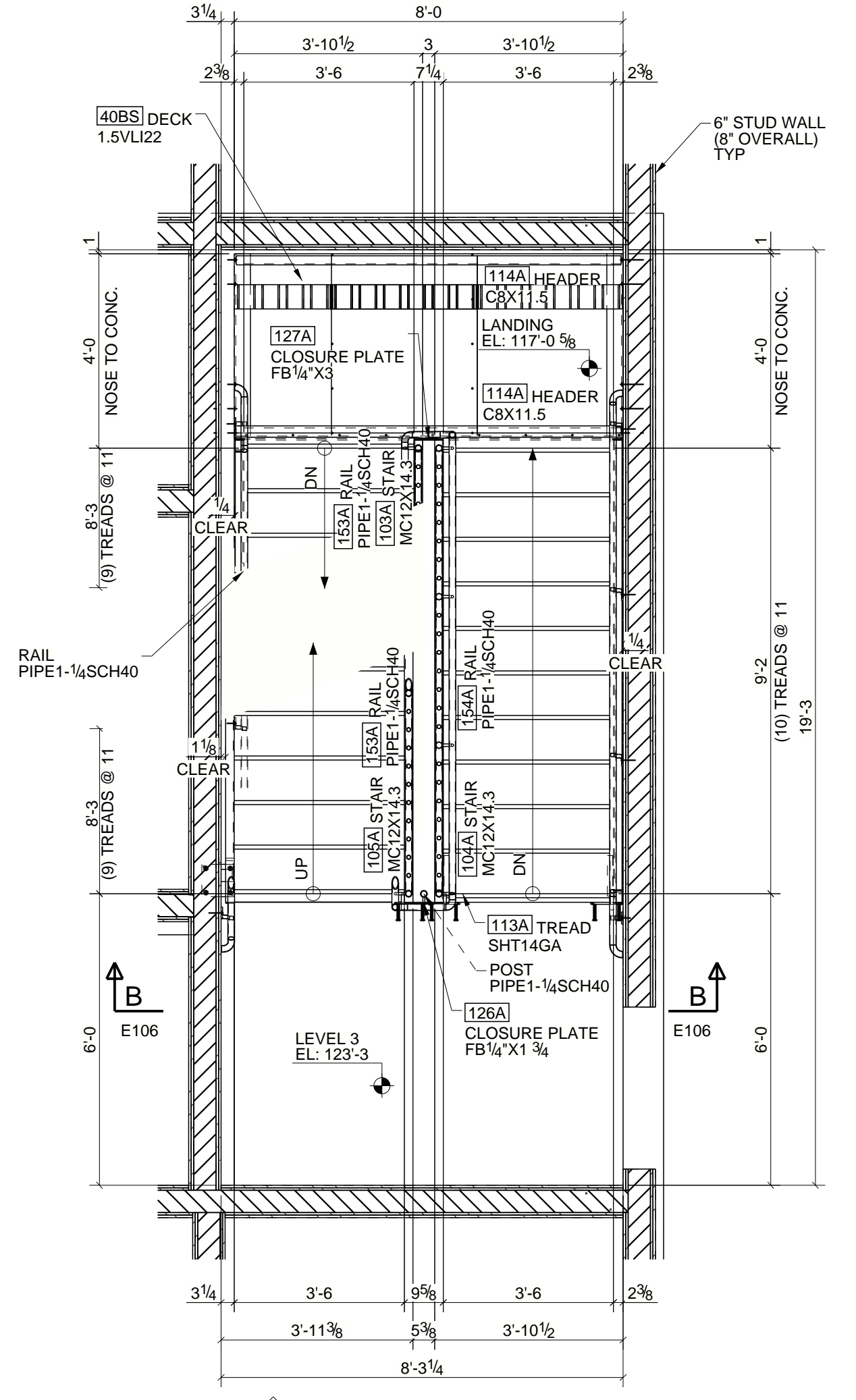


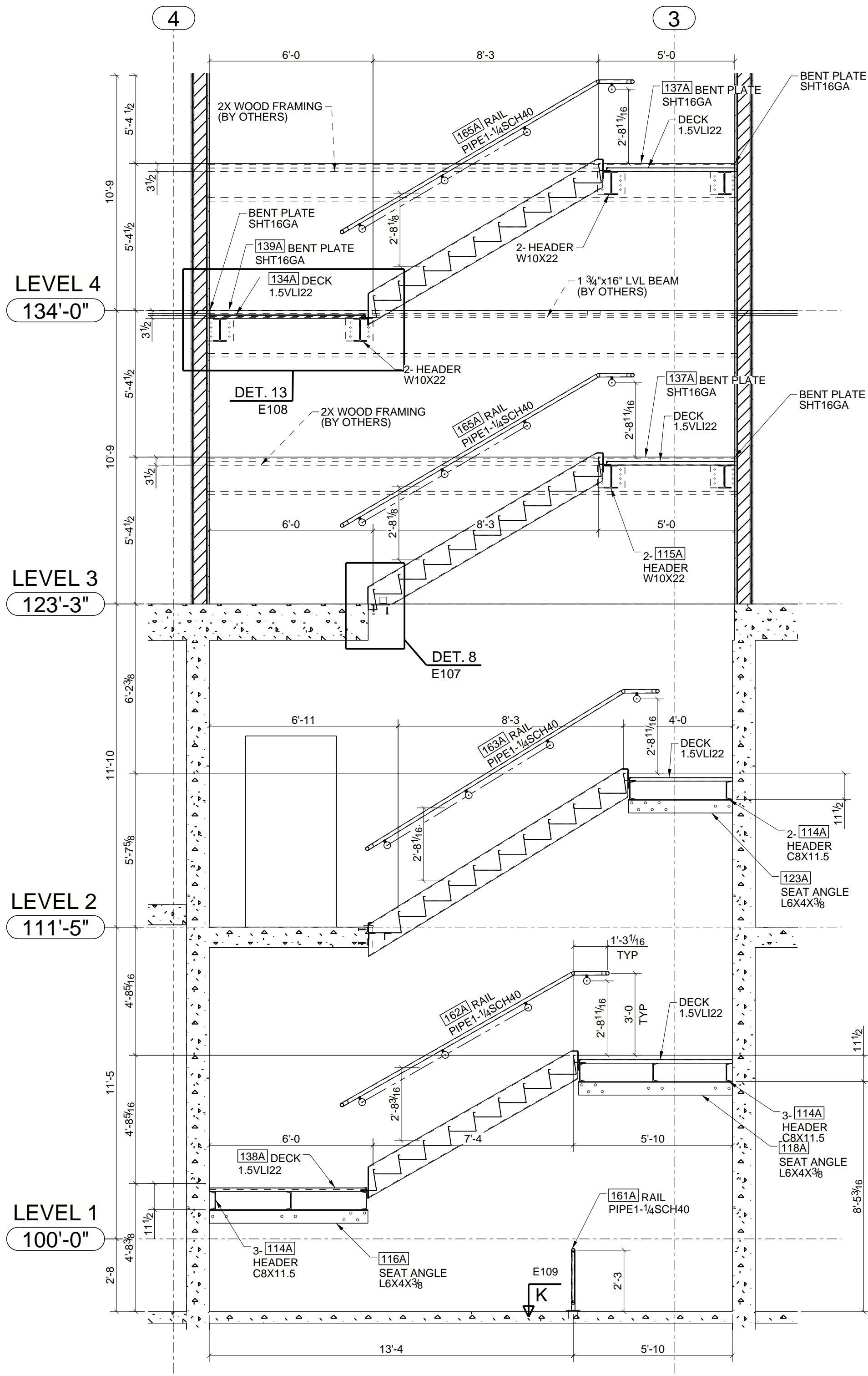
**PLAN VIEW AT LEVEL 1**  
 REF: A101, A1/A420, S-101, 1/S-121



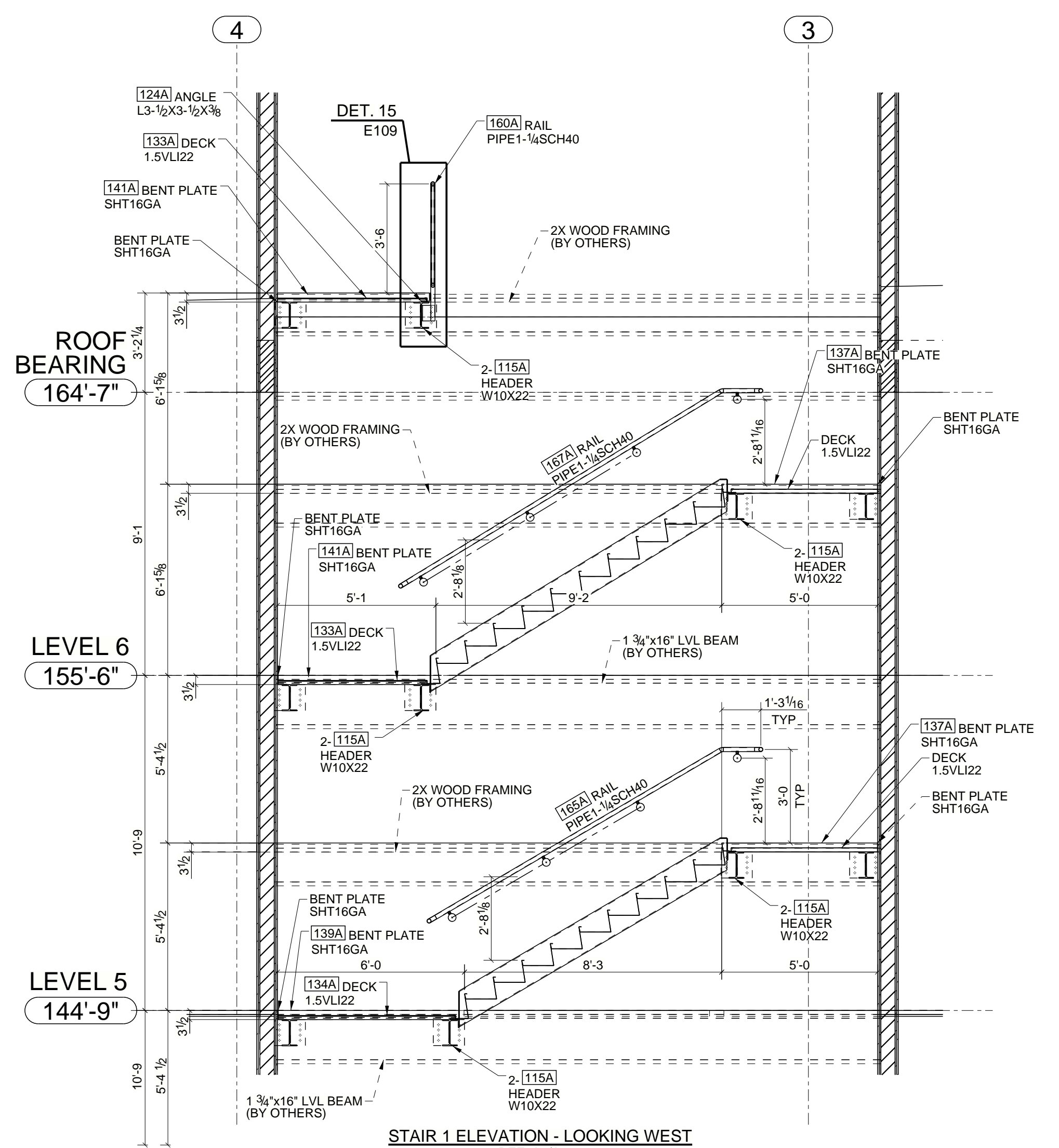
**PLAN VIEW AT LEVEL 2**  
 REF: A102, A2/A420, S-102



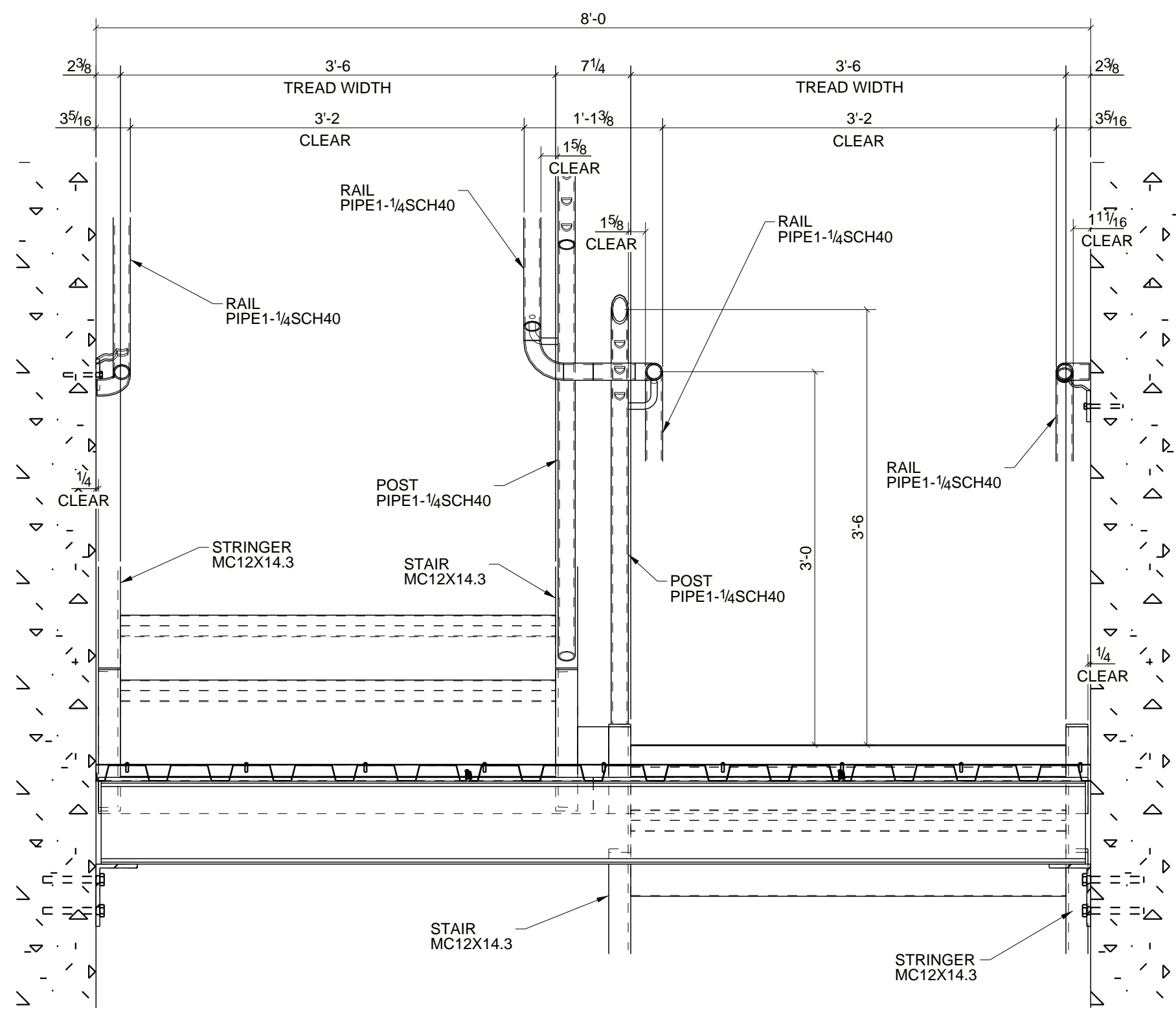
**PLAN VIEW AT LEVEL 3**  
 REF: A103, A3/A420, S-103



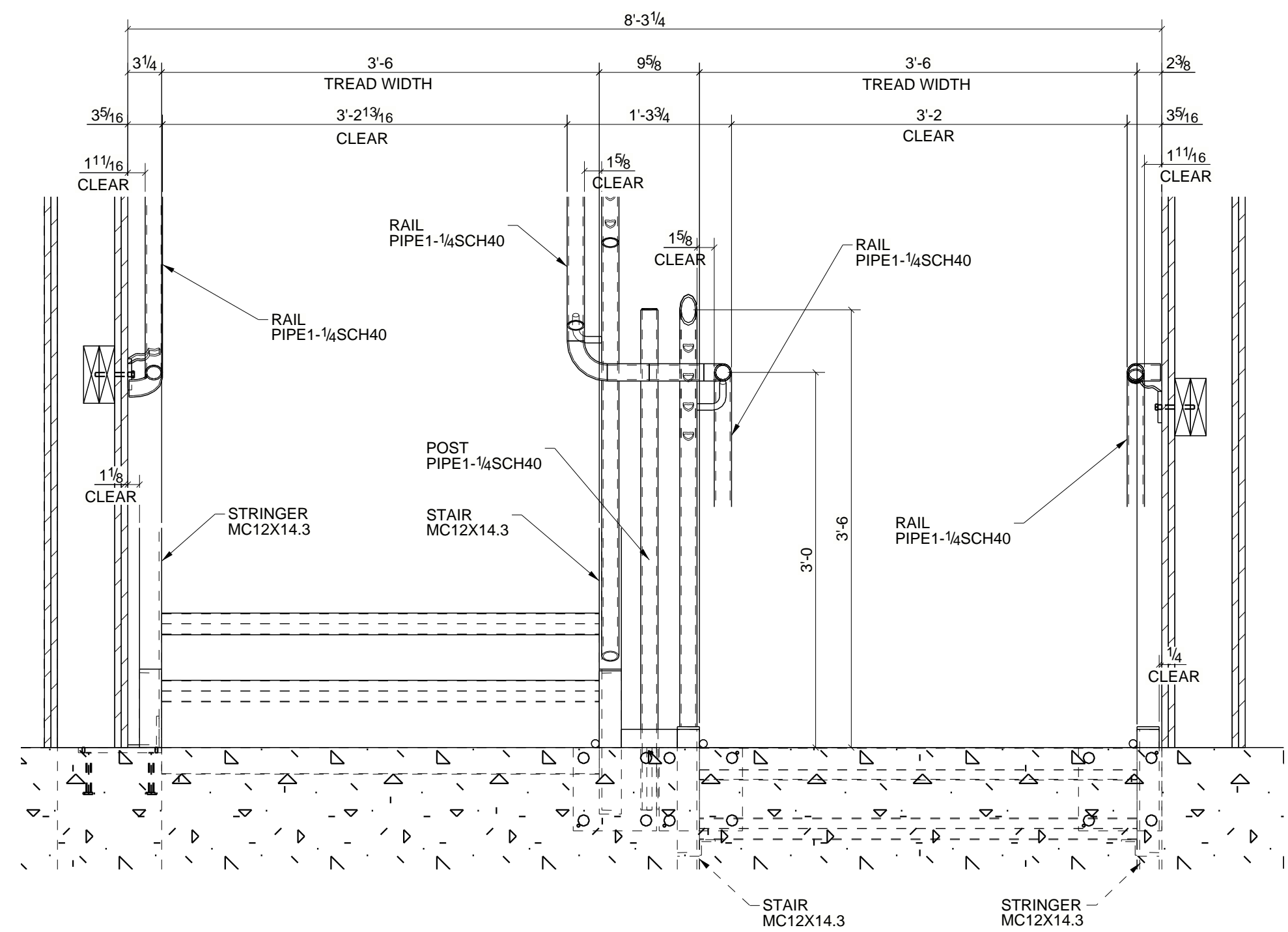
STAIR 1 ELEVATION - LOOKING WEST  
REF: A2/A422



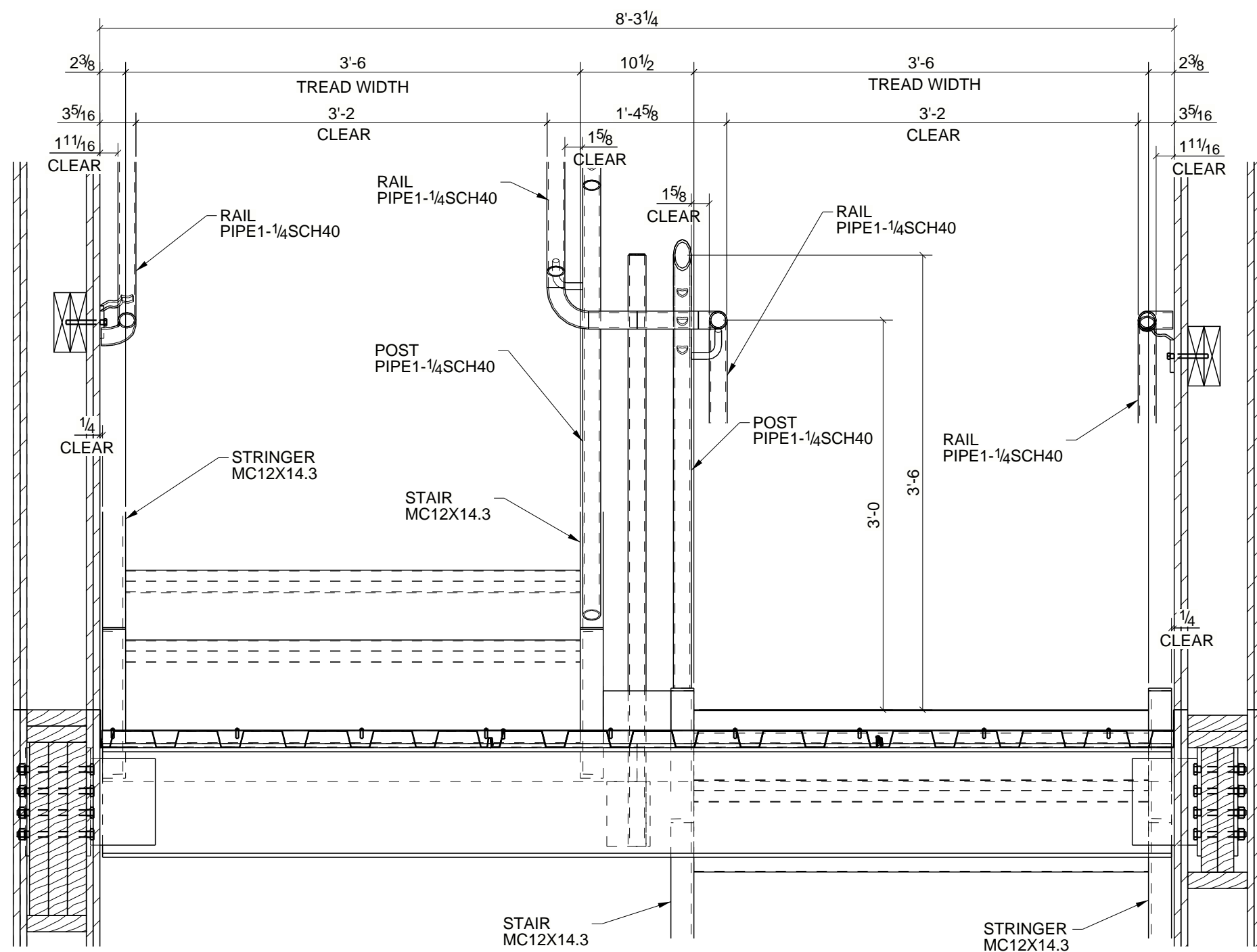
STAIR 1 ELEVATION - LOOKING WEST  
REF: A2/A422



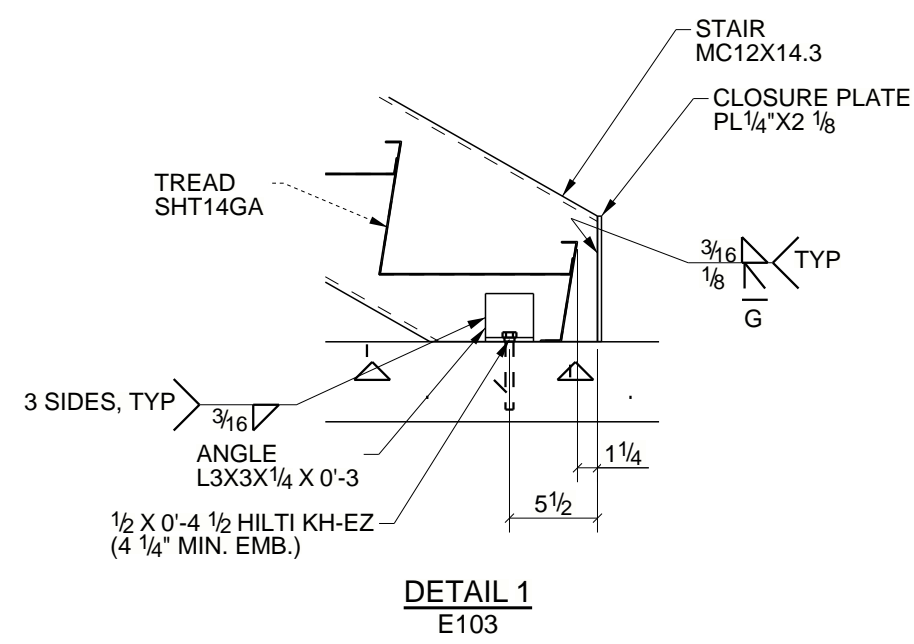
SECTION A - A  
E100



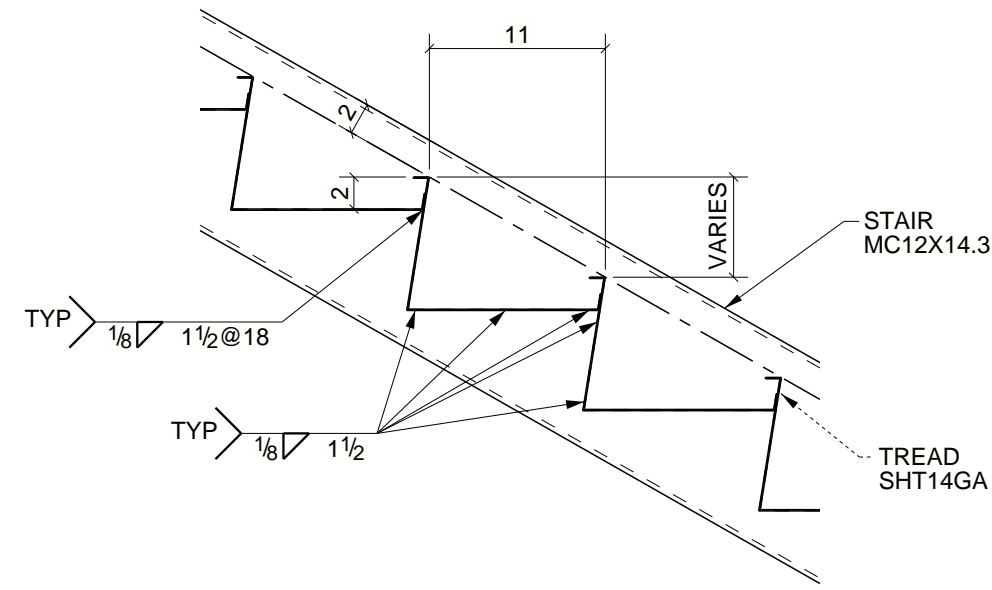
SECTION B - B  
E100



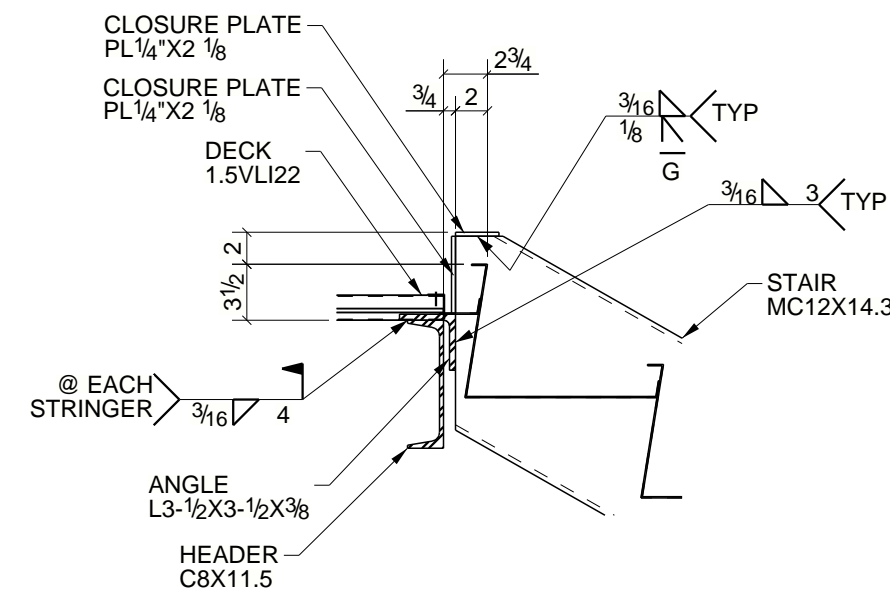
SECTION C - C  
E101



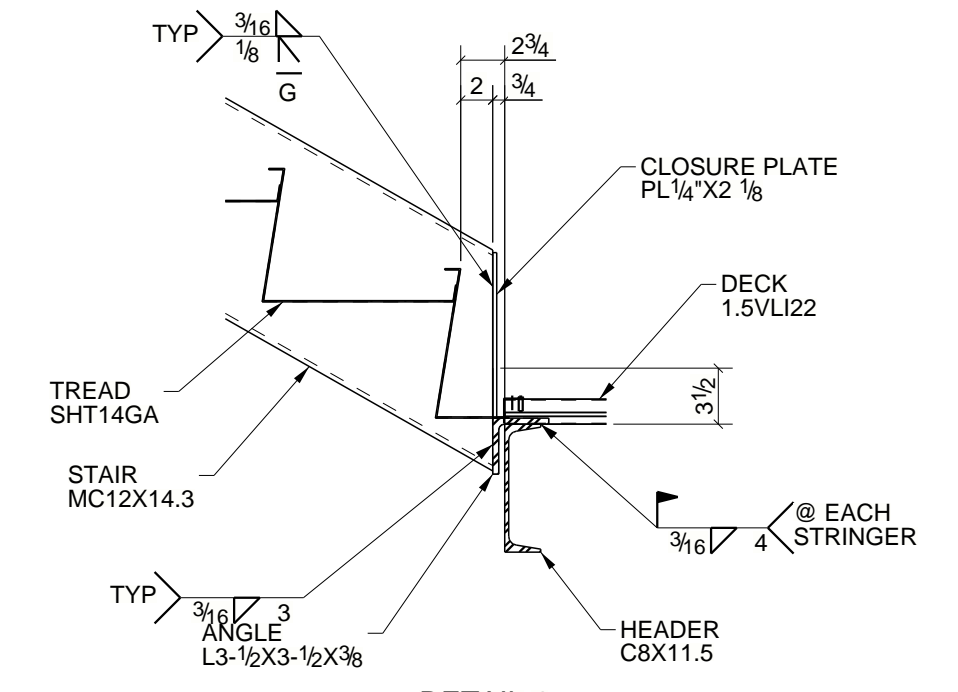
DETAIL 1  
E103



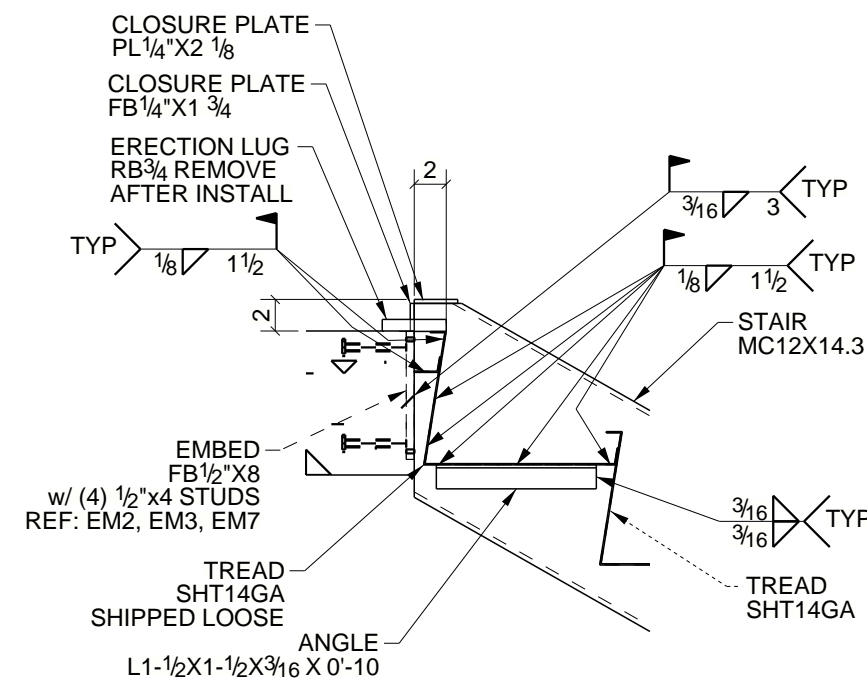
DETAIL 2  
E103



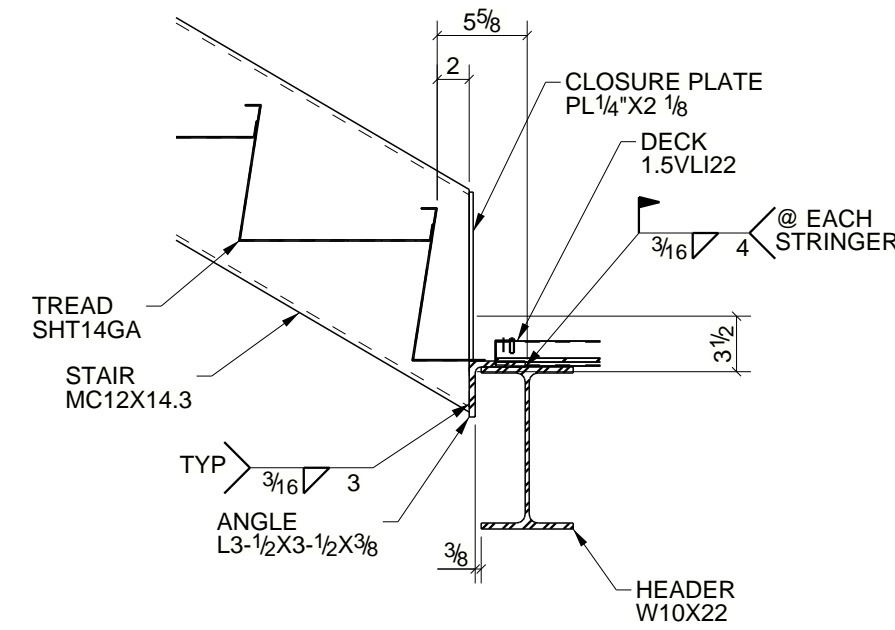
DETAIL 3  
E103



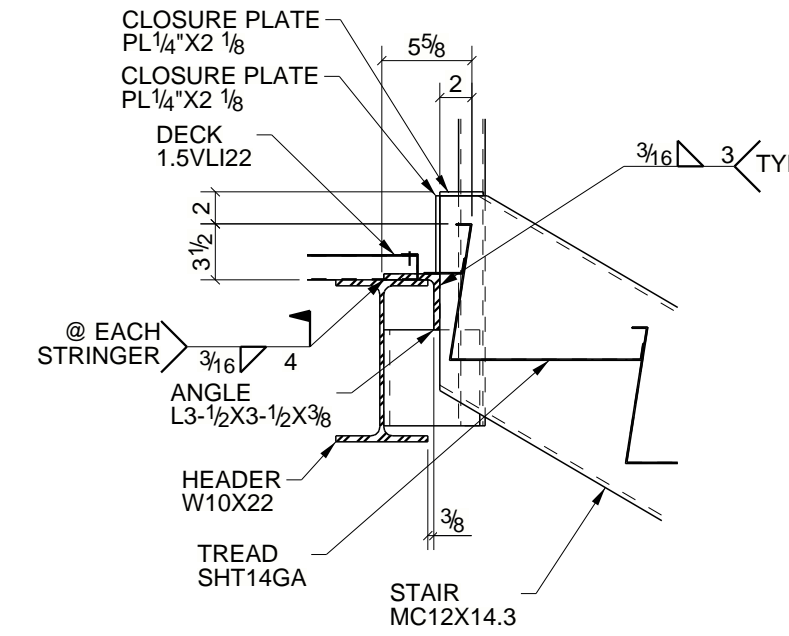
DETAIL 4  
E103



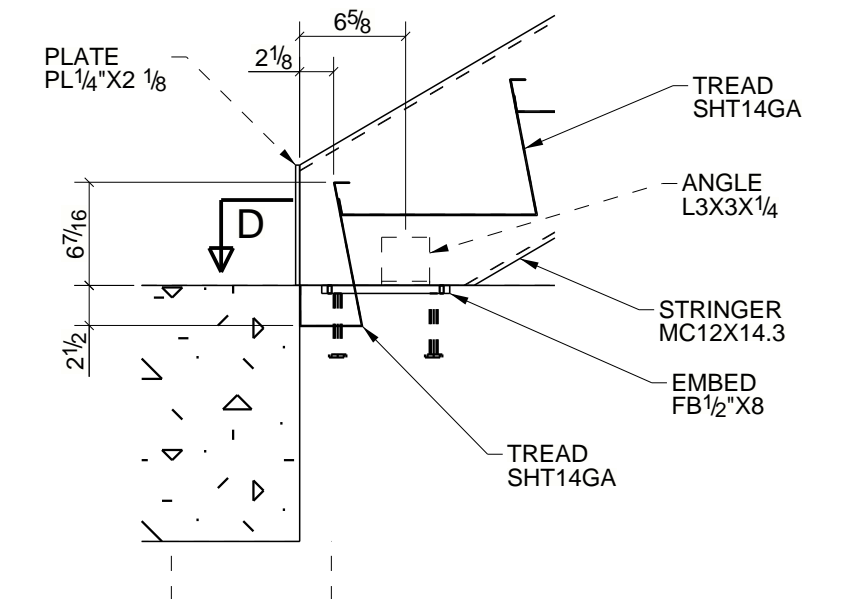
DETAIL 5  
E103



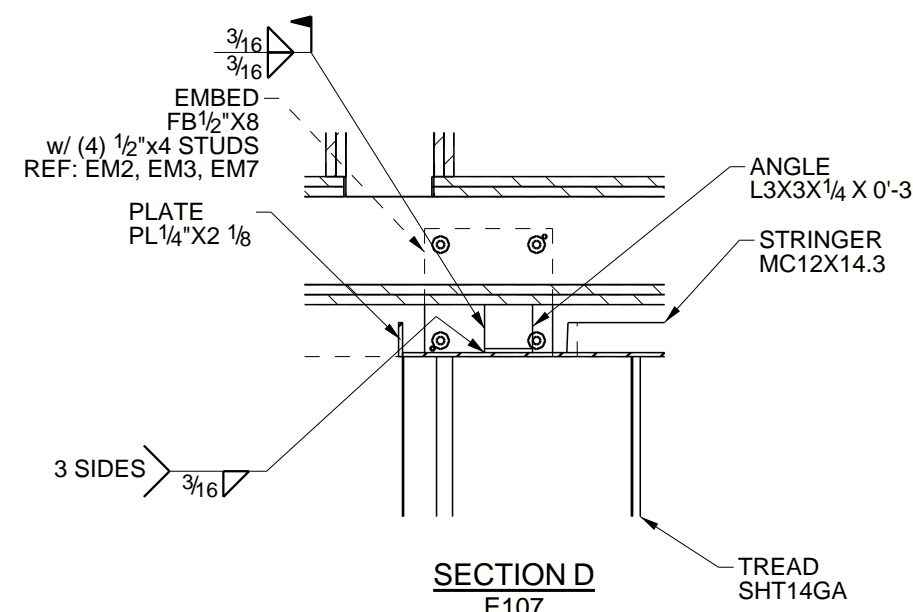
DETAIL 6  
E103



DETAIL 7  
E103



DETAIL 8  
E105



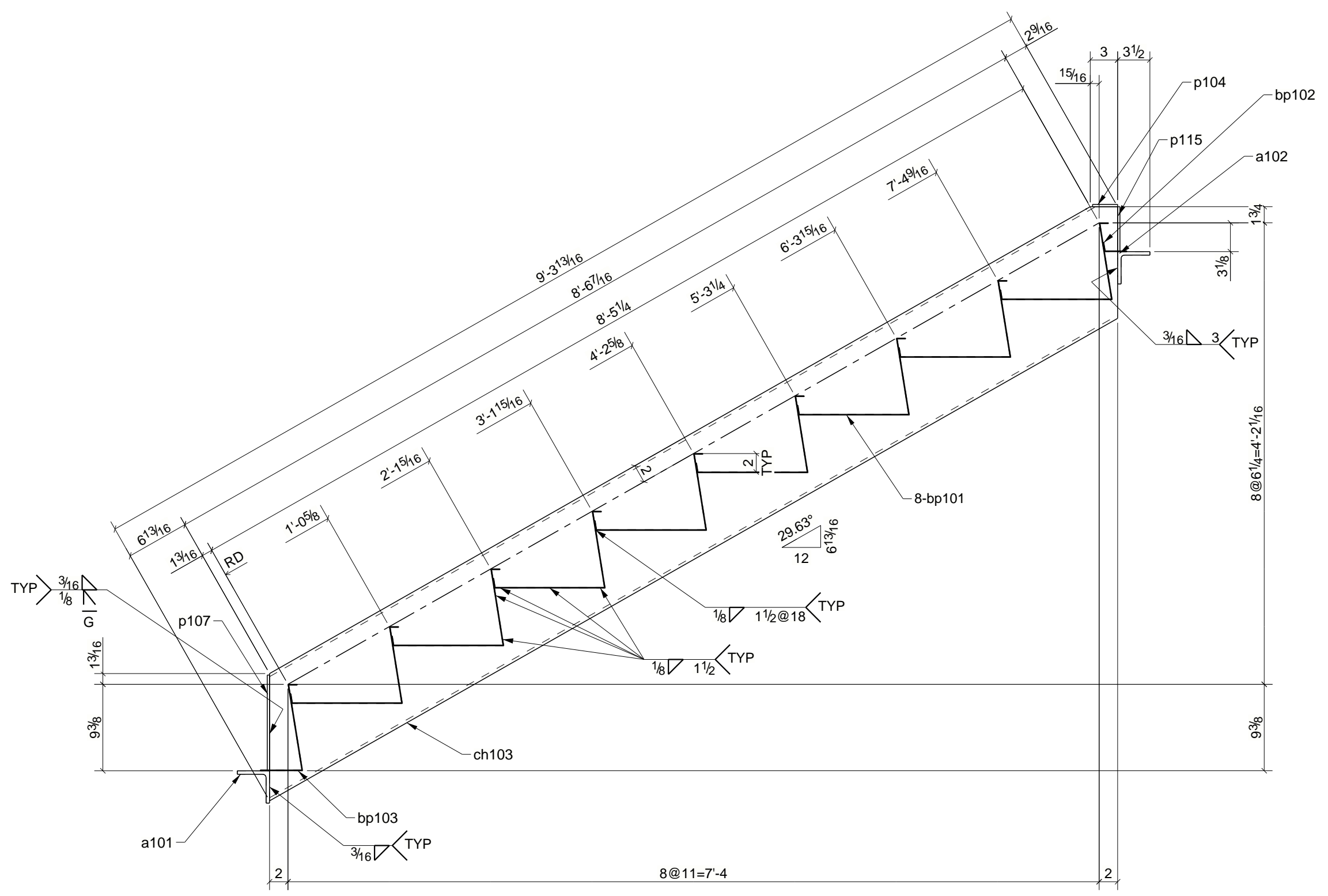
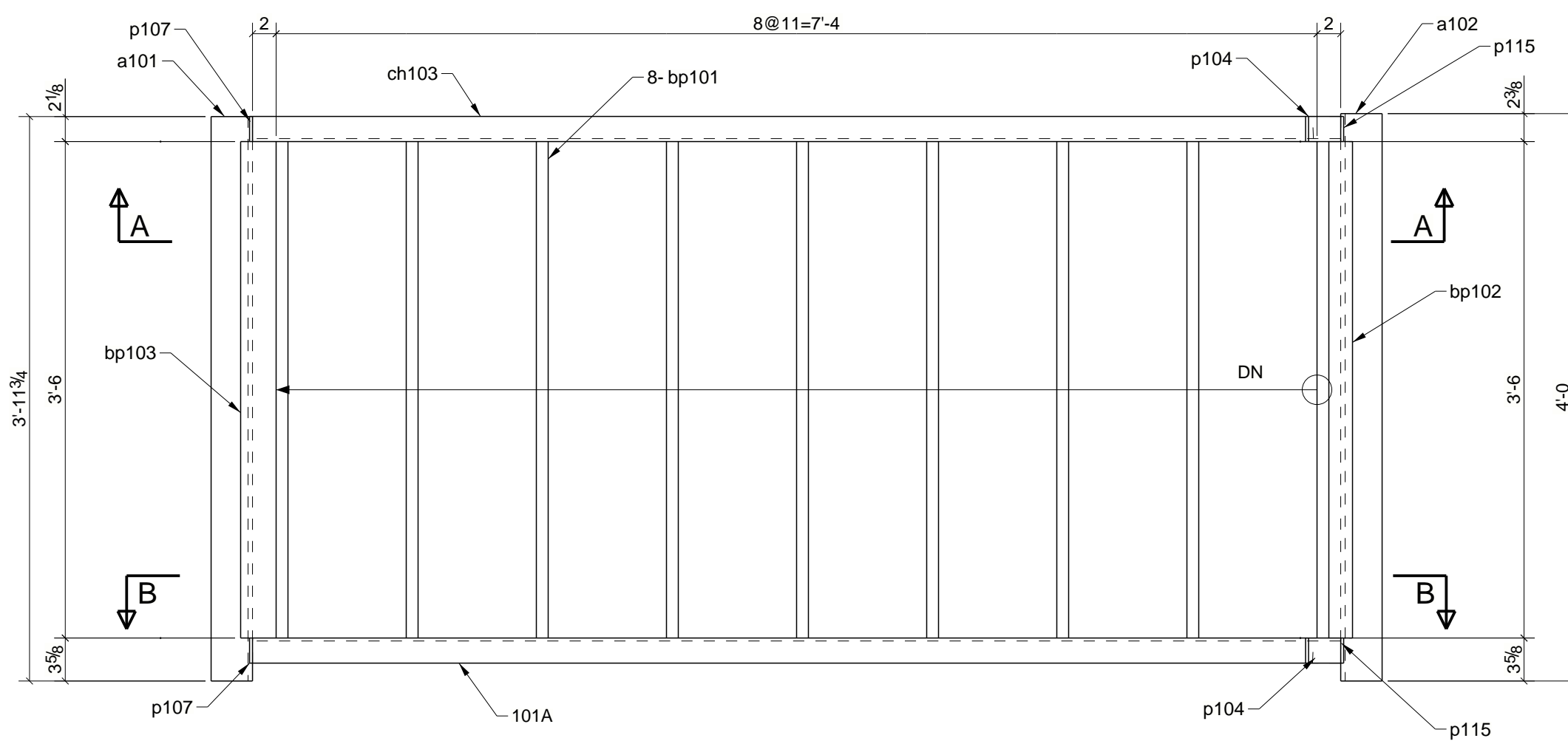
SECTION D  
E107



QTY. SITE BOLTS LENGTH

# BILL OF MATERIAL

MARK	QTY	DESCRIPTION	LENGTH	WEIGHT	REMARKS
101A	1	STAIR			
101A	1	MC12X14.3	9'-3 13/16"	133	A36
a101	1	L3-1/2X3-1/2X3/8	3'-11 3/4"	34	A36
a102	1	L3-1/2X3-1/2X3/8	4'-0"	34	A36
bp101	8	SHT14GAX22"	3'-6"	166	A36
bp102	1	SHT14GAX3 1/4"	3'-6"	3	A36
bp103	1	SHT14GAX14 3/4"	3'-6"	14	A36
ch103	1	MC12X14.3	9'-3 13/16"	133	A36
p104	2	PL1/4"X2 1/8"	0'-2 11/16"	1	A36
p107	2	PL1/4"X2 1/8"	0'-10 3/8"	3	A36
p115	2	PL1/4"X2 1/8"	0'-4 7/8"	1	A36
TOTAL WEIGHT THIS DRAWING				521	



SECTION A - A (AS SHOWN)  
SECTION B - B (OPP. HAND)

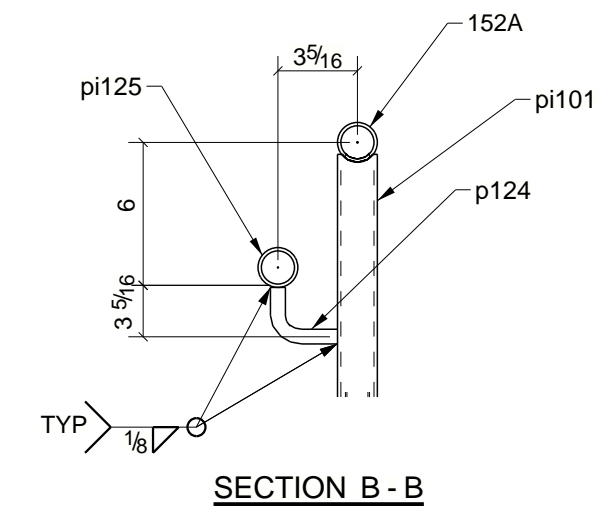
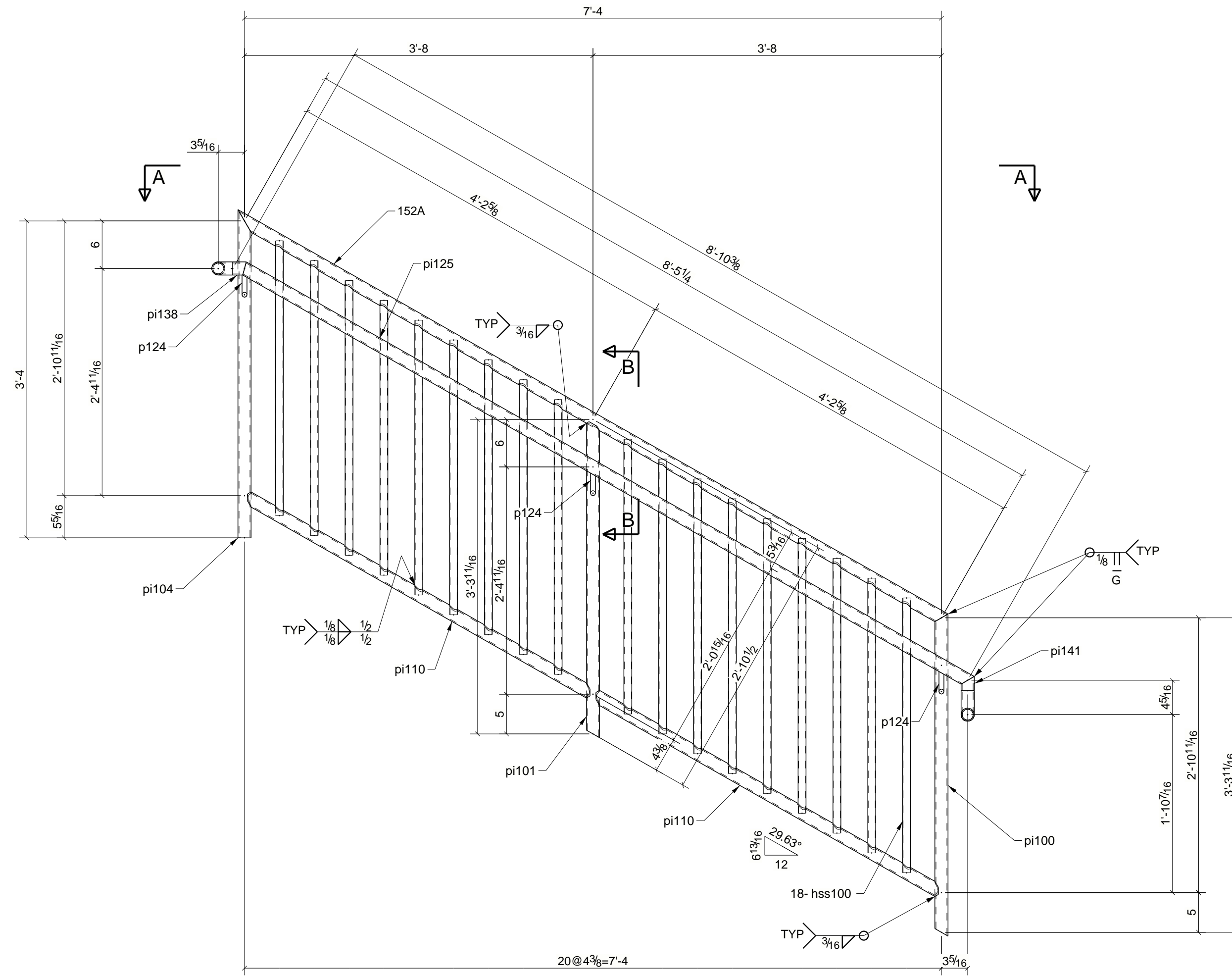
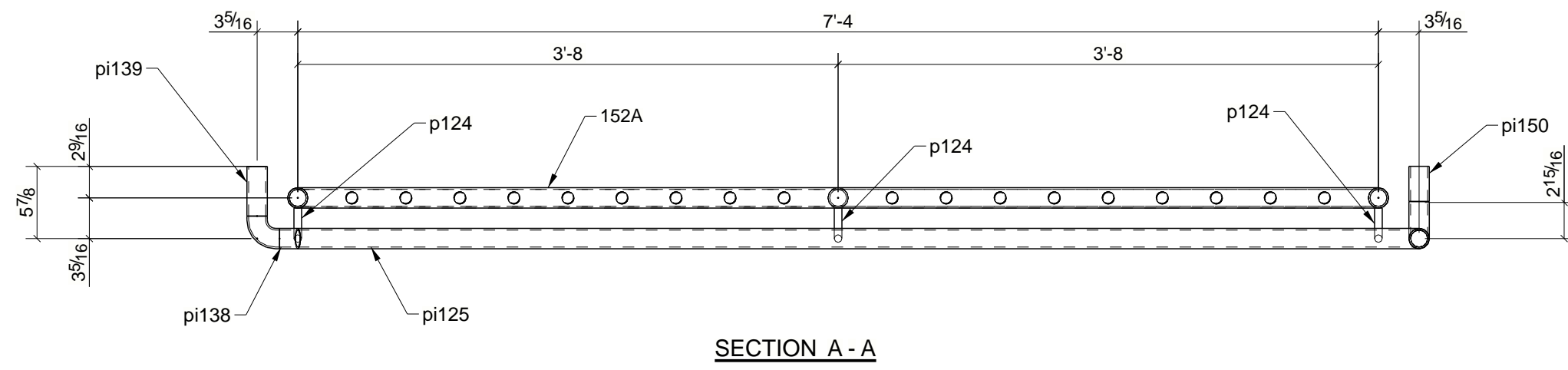
## ONE - STAIR - 101A

QTY. SITE BOLTS

LENGTH

# BILL OF MATERIAL

MARK	QTY	DESCRIPTION	LENGTH	WEIGHT	REMARKS
152A	1	RAIL			
152A	1	PIPE1-1/4SCH40	8'-7 3/16"	18	A500
hss100	18	HSSR1X16GA	2'-10 11/16"	83	A513
p124	3	WAG R140	BOI	1	A36
pi100	1	PIPE1-1/4SCH40	3'-4 5/8"	7	A500
pi101	1	PIPE1-1/4SCH40	3'-3 7/8"	7	A500
pi104	1	PIPE1-1/4SCH40	3'-5 7/16"	7	A500
pi110	2	PIPE1-1/4SCH40	4'-2 3/16"	18	A500
pi125	1	PIPE1-1/4SCH40	8'-9 3/4"	19	A500
pi135	1	PIPE1-1/4SCH40	0'-4 3/4"	1	A500
pi136	1	PIPE1-1/4SCH40	0'-3"	1	A500
pi138	1	PIPE1-1/4SCH40	0'-1 11/16"	0	A500
pi139	1	PIPE1-1/4SCH40	0'-4 1/16"	1	A500
pi141	1	PIPE1-1/4SCH40	0'-1 13/16"	0	A500
pi150	1	PIPE1-1/4SCH40	0'-2 7/8"	1	A500
TOTAL WEIGHT THIS DRAWING				165	



## ONE - RAIL - 152A