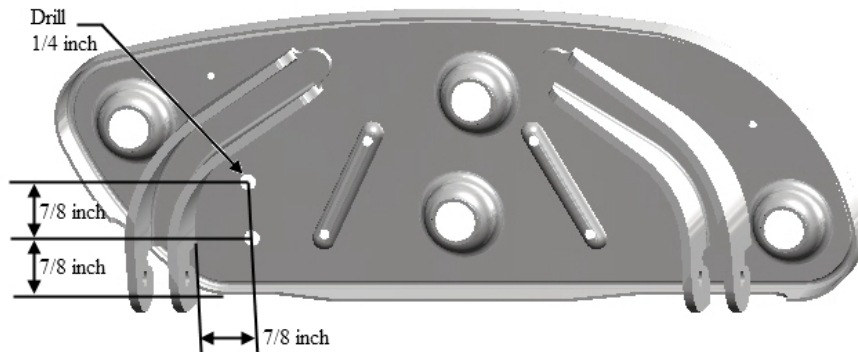
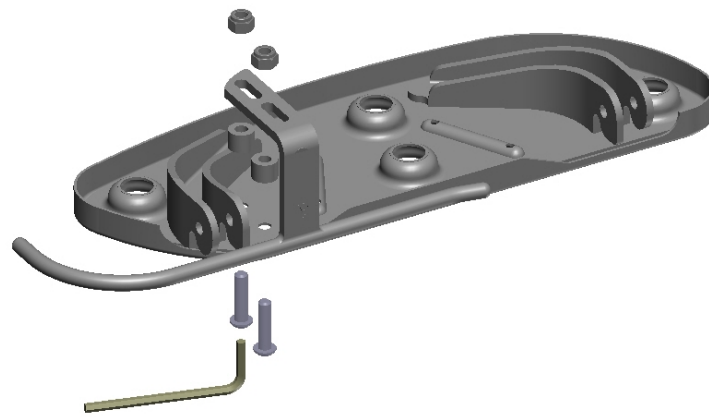


Heel Guard 9010R Installation Instructions for Harley Davidson Streamliner Footboard

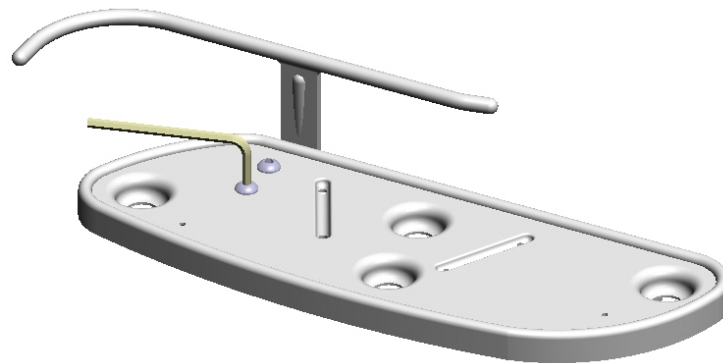
- 1) With the footboard removed from the bike, first remove the rubber pad from the footboard and place footboard bottom side up.
- 2) Drill two 1/4 inch holes approximately 7/8 inch apart, located as shown below:



- 3) With the supplied bolts and spacers arranged as shown below, attach the Heel Guard to the footboard and secure with the provide nuts:



- 4) Tighten the hardware using the supplied 5/32" hex wrench and a 7/16" wrench. Top view shown below:



CARL MILES
HEEL GUARD
STOP BURNING RUBBER!
U.S. Patent 6,626,448 U.S. Patent 7,017,932

PO BOX 1
Wisdom, MT 59761
(406) 925-9251

heelguard.com