



Vocare™ IP Based Audio PA System



SPECIFICATIONS

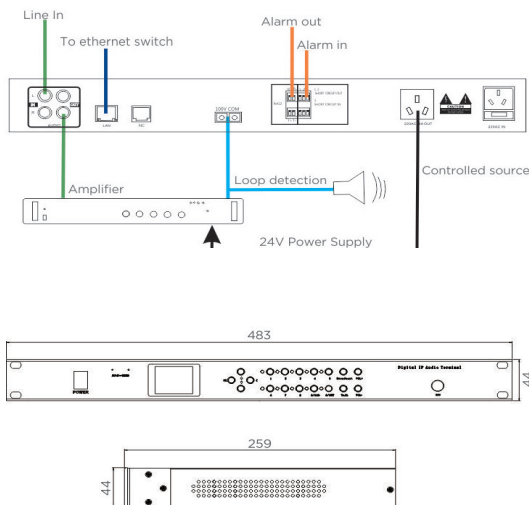
Power Supply	AC100-240V, ≤10W
Protocols	TCP, UDP, ARP, ICMP, IGMP
Network	10/100Mbps
Audio Sampling	8kHz-44.1kHz, 16bit, 8kbps-320kbps
S/N	≥90dB, 20Hz-20kHz
Audio Delay	Broadcast delay ≤30ms, Intercom delay ≤30ms
Display	TFT 1.8" LCD (128x160)
Audio Interface	1 microphone input, 1 line input, 1 line output
Other Interfaces	1 short circuit output, 1 short circuit input, 1 controlled power output, 1 loop detection
Operating Temperature	14° to 122°F / -10° to 50°C
Operating Humidity	≤90%RH
Dimensions	19"×10.2"×1.7" in / 48.5×25.8×4.4 cm
Weight	7lbs / 3.2kg
Part Number	PA-SYS2

* The latest product information / specification can be found at www.aventurapa.com

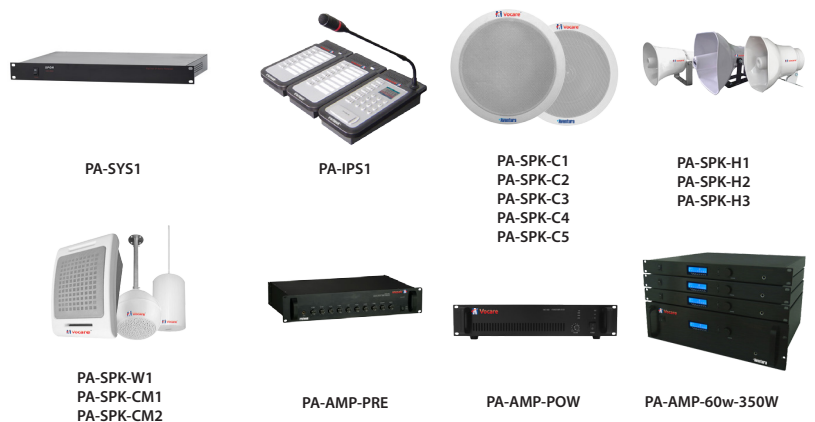
KEY FEATURES

- + Rack mounted design
- + Anti-corrosion aluminum alloy
- + TFT display screen
- + High speed industrial dual core (ARM + DSP) chips
- + Less than 1 second start up time
- + Acoustic control
- + Built-in speaker and microphone
- + Full duplex talk and broadcasting

DIAGRAMS



OTHER VOCARE™ PRODUCTS



* Data recorded on an SD memory card may be lost or damaged by data access during power-off, mechanical shock, memory card detachment, or other operations. Data loss or damage can also occur when a memory card reaches end of life, which varies according to operational conditions. No guarantee is given against damage (including passive damage).