



Vocare™

TCP/IP Network Amplifier



SPECIFICATIONS

Protocols	TCP, UDP, ARP, ICMP, IGMP
Network	10/100 Mbps
Audio Format	MP2, MP3, PCM, ADP
Sampling Rate	8kHz-44.1kHz, 16bit, 8kbps-320kbps
S/N	≤90dB, 20Hz-20KHz
Audio Delay	≤30ms
Display	LCD (144×32)
Audio Interface	1 dynamic microphone input, 2 line input, 1 auxiliary line input, 1 line output, 1 power output
Operating Temperature	14° to 122°F / -10° to 50°C
Operating Humidity	≤90%RH

* The latest product information / specification can be found at www.aventurapa.com

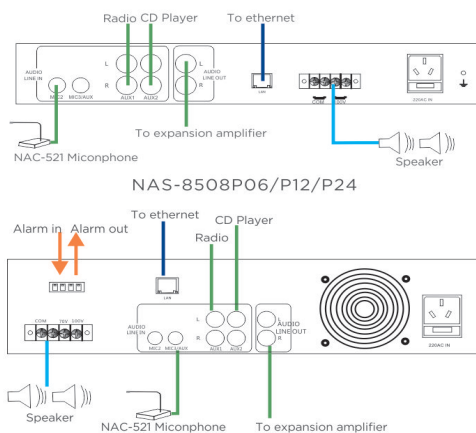
KEY FEATURES

- + Rack mounted design
- + Peak performance with constant voltage
- + Start time ≤1 second
- + D class digital amplifier with low heat emission
- + Power-saving mode for no signal input
- + Channel volume adjustment
- + Priority settings for 5 input channels
- + Standard Rj45 interface
- + Audio line output to connect with the external amplifier

AVAILABLE MODELS

PA-AMP-60W	Power Supply: AC100-240≤75W, Output: 60W (100V constant voltage), Dimensions: 19"×16"×1.7", Weight: 12.6 lbs
PA-AMP-120W	Power Supply: AC180-260≤150W, Output: 120W (100V constant voltage), Dimensions: 19"×16"×1.7", Weight: 12.6 lbs
PA-AMP-240W	Power Supply: AC180-260≤280W, Output: 240W (100V constant voltage), Dimensions: 19"×16"×1.7", Weight: 27 lbs
PA-AMP-350W	Power Supply: AC180-260≤500W, Output: 350W (70/100V constant voltage), Dimensions: 19"×15.7"×5.2", Weight: 41.9 lbs, Additional Features: 1 short circuit input & output

DIAGRAMS



OTHER VOCARE™ PRODUCTS



* Data recorded on an SD memory card may be lost or damaged by data access during power-off, mechanical shock, memory card detachment, or other operations. Data loss or damage can also occur when a memory card reaches end of life, which varies according to operational conditions. No guarantee is given against damage (including passive damage).

