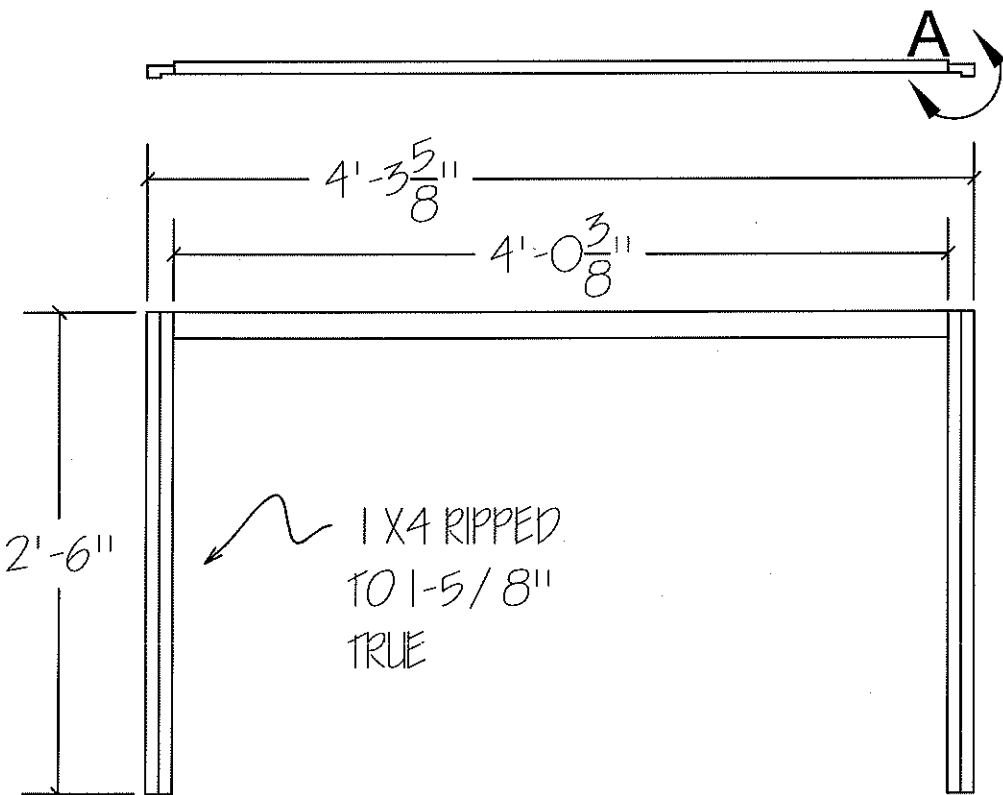
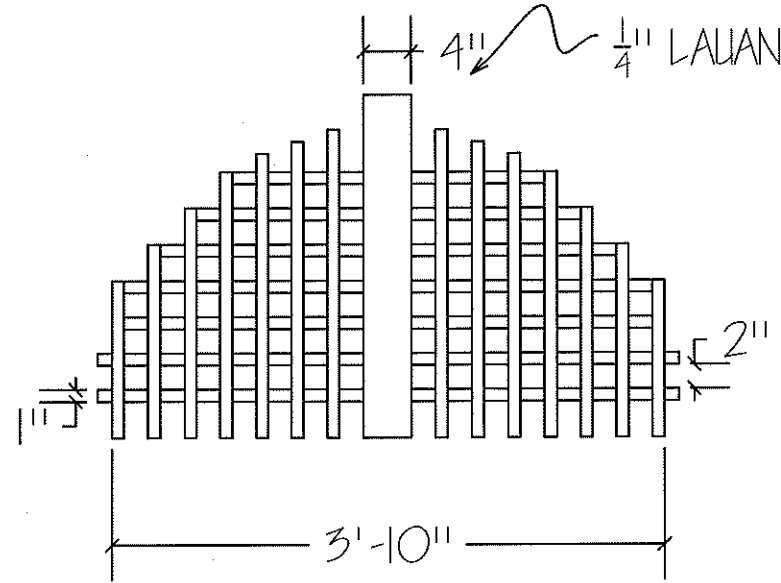


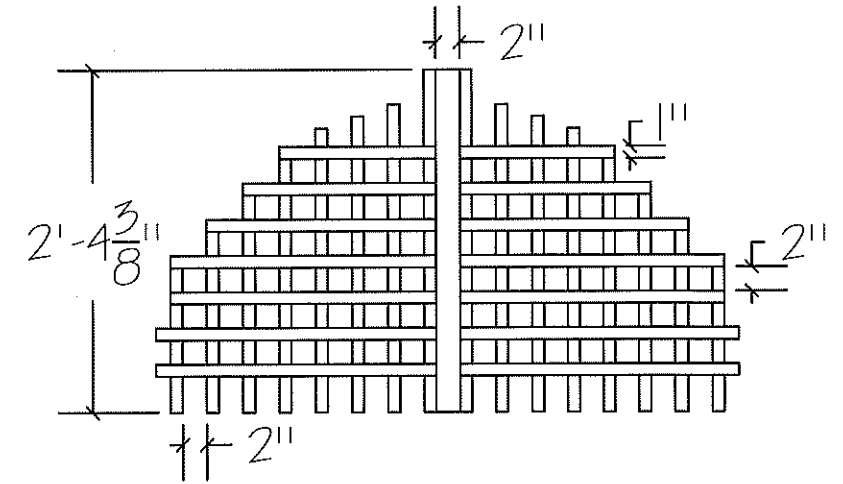
Transom Skin: Front View
Scale: 1" = 1'-0"



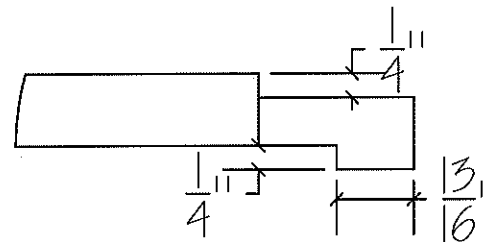
Transom Frame: Front View
Scale: 1" = 1'-0"



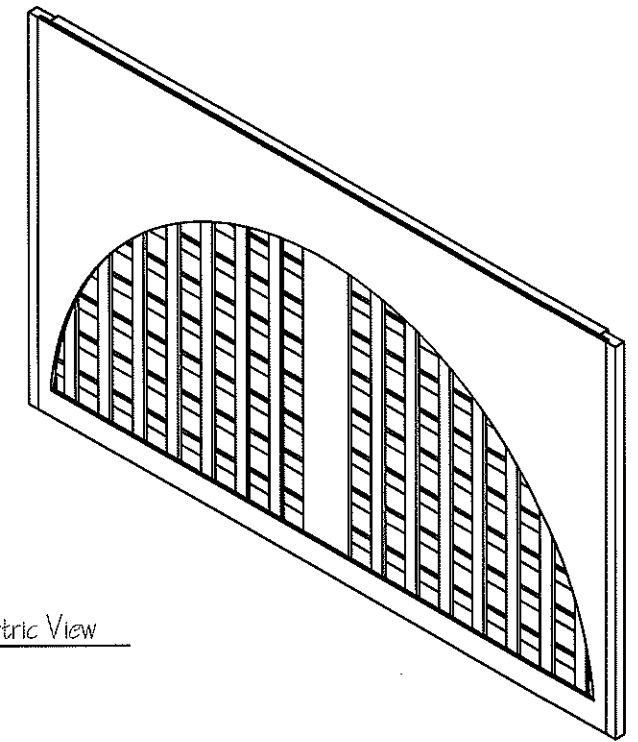
Transom Lattice: Front View
Scale: 3/4" = 1'-0"



Transom Lattice: Rear View
Scale: 3/4" = 1'-0"



Detail A
Scale: 6" = 1'-0"




Transom: Isometric View
Scale: NTS

Notes:

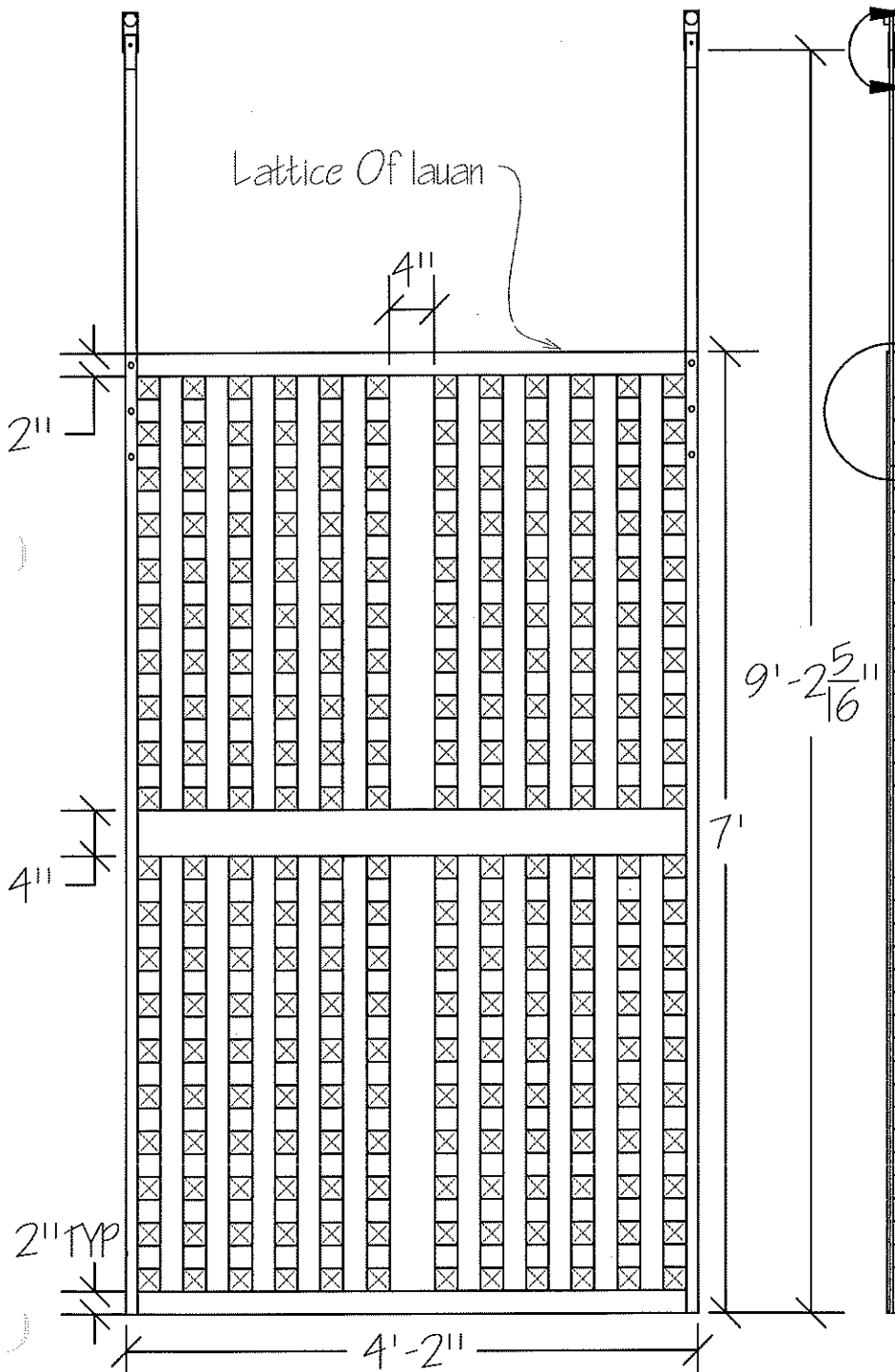
1. Assemble with wood glue, and T-50 3/8" Staples
2. Build Four

University of North Carolina School Of The Arts
School Of Design and Production

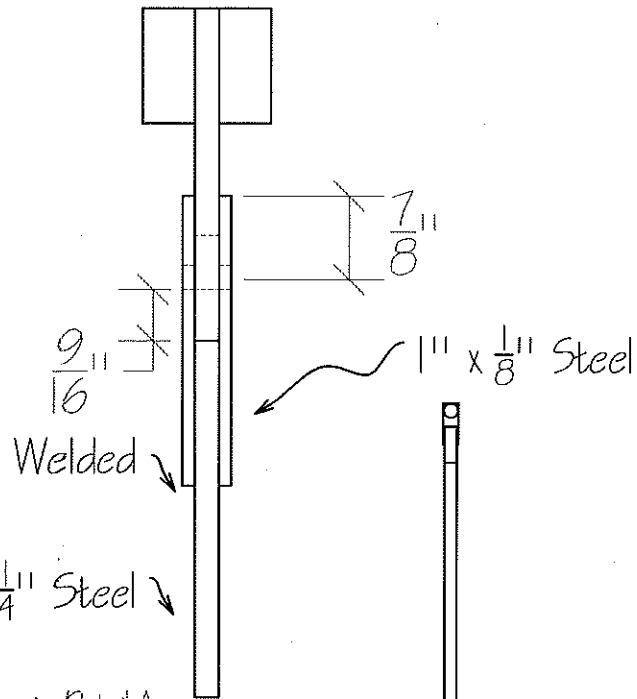
Transom Layout		Advisor Approval
Designer: Manika Gupta	Director: Steve Lacosse	 One of One
Date: March 15, 2019	Scale: 3/8" = 1'-0"	
TD: Duncan Jenner-Bennett	ATD: Samuel J. Santolanni	
Drafted by: Ashley Acevedo	LC: Jonah Hargett	



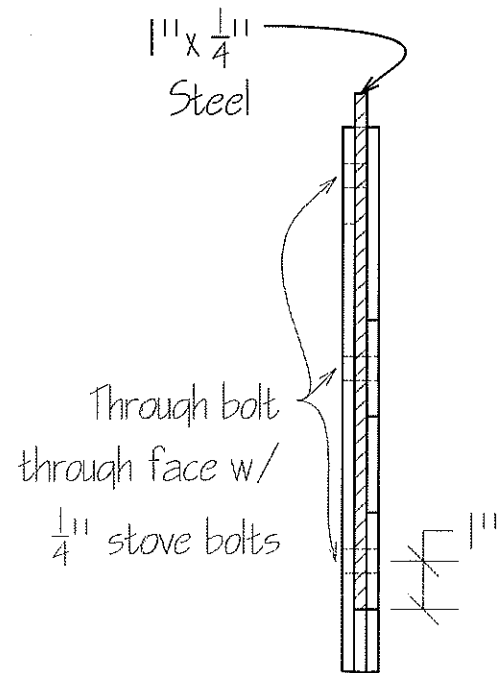
Lattice Door Layout: Top View
Scale: 3/4" = 1'-0"



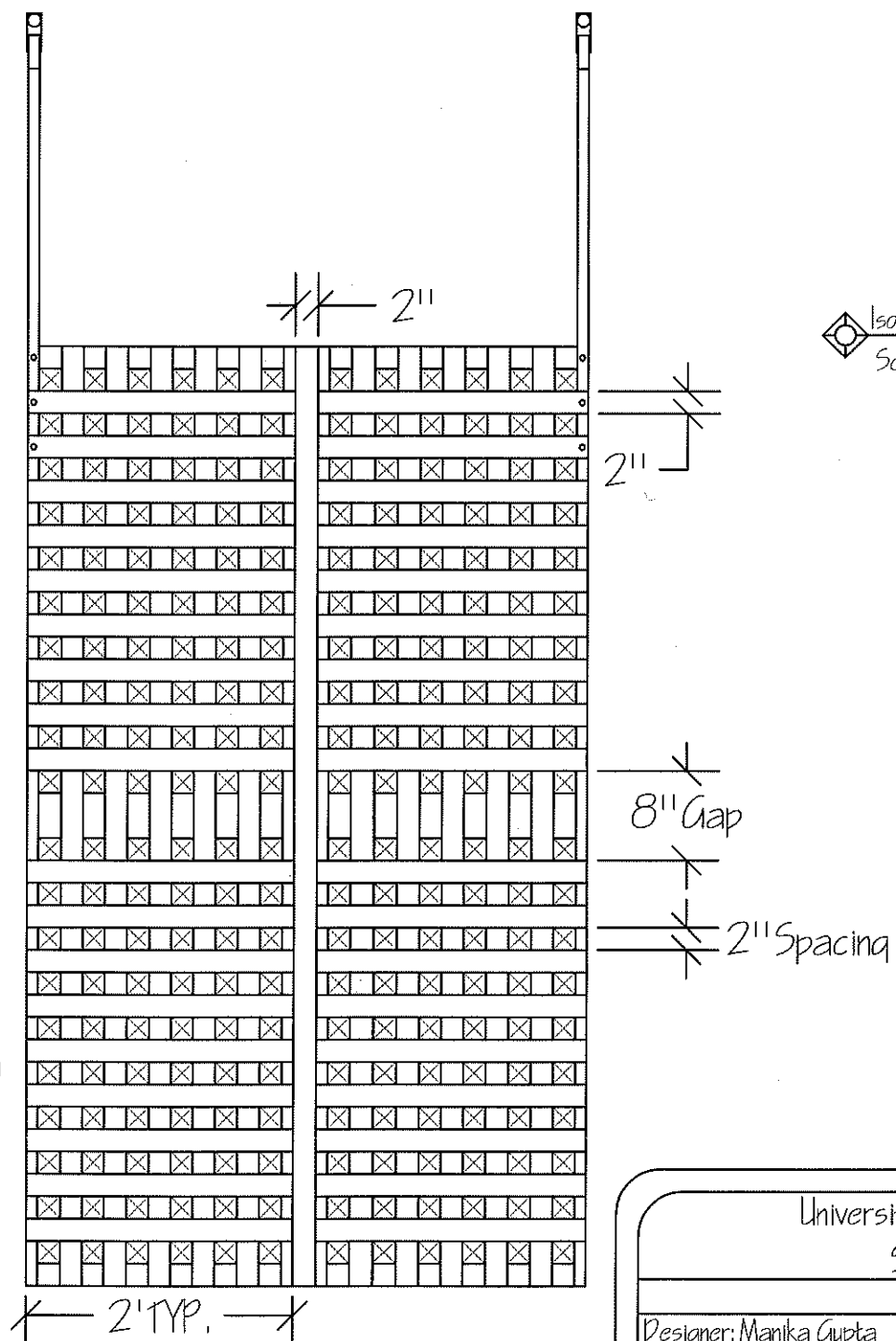
Lattice Door Layout: Front View
Scale: 3/4" = 1'-0"
Build 4



Detail A
Scale: 6" = 1'-0"



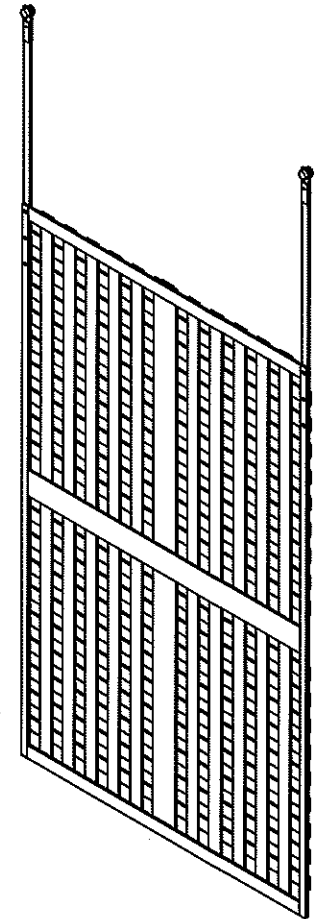
Detail B
Scale: 3" = 1'-0"



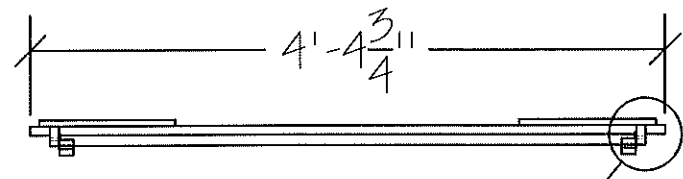
Lattice Door Layout: Rear View
Scale: 3/4" = 1'-0"

- Notes:
1. Glue Lauan together with wood glue and 1/2" Staples * see Duncan for staples
 2. 1/4" Bolt Through all pieces on Detail A
 3. Bolt 1/8" plate to trolley before tack-welding to 1/4" Plate - remove bolt and trolley before welding

Isometric
Scale: NTS

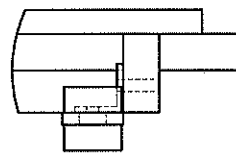


University of North Carolina School Of The Arts School Of Design and Production		Advisor Approval
Lattice Layout		 One of One
Designer: Manika Gupta	Director: Steve Lacosse	
Date: March 14, 2014	Scale: = As Noted	
TD: Duncan Jenner-Bennett	ATD: Samuel J. Santolami	
Drafted by: Ashley Acevedo	LC: Jonah Hargett	



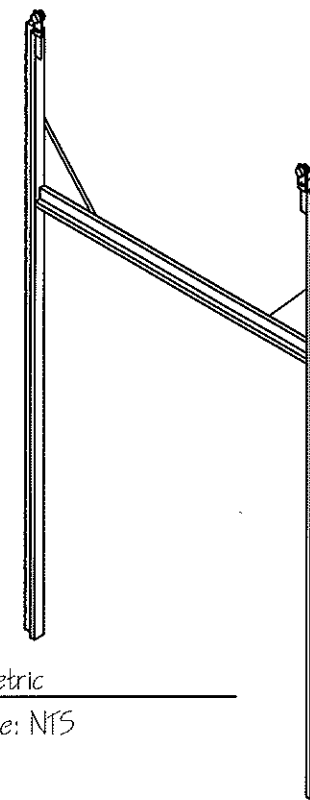
◆ Curtain Layout: Top View
Scale: 3/4" = 1'-0"

A

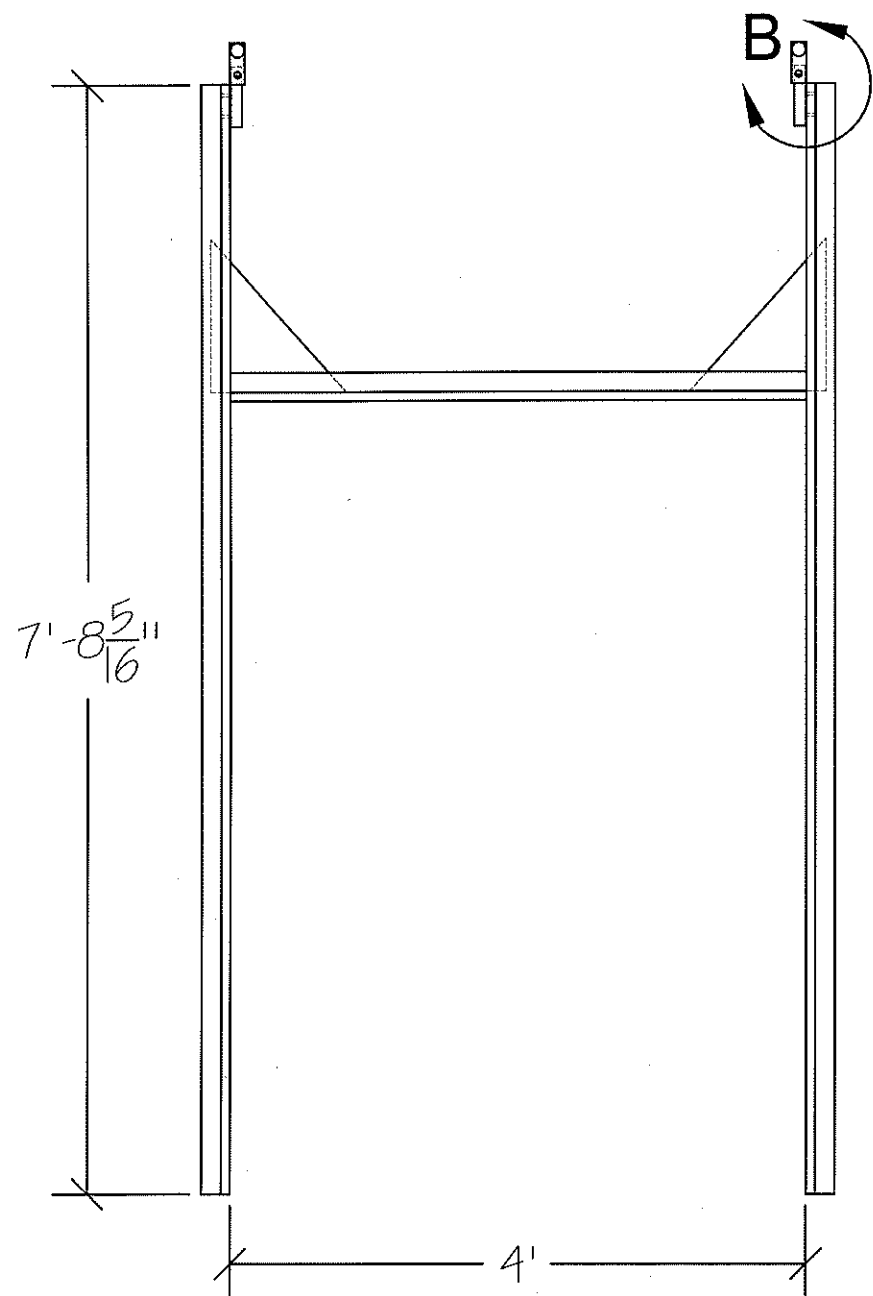


◆ Detail A
Scale: 3" = 1'-0"

- Notes:
 1. Will be installed 18" from the ground to clear automation actuator
 2. Cut 1 x 4 in half * doesn't need to be exactly 1-5/8"



◆ Isometric
Scale: NTS



◆ Curtain Layout: Front View
Scale: 3/4" = 1'-0"
Build 4

B



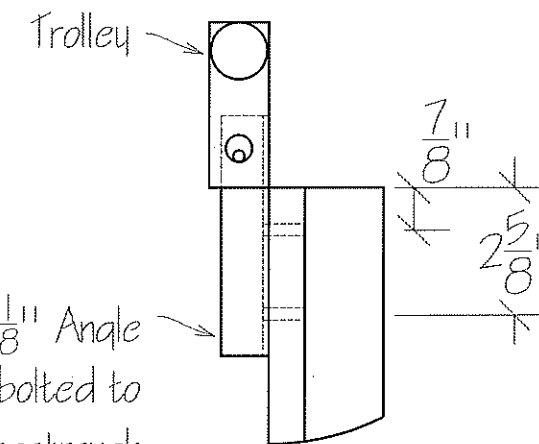
◆ Curtain Layout: Rear View
Scale: 3/4" = 1'-0"

1/2" Ply block w/
3/4" Holdback

Hoagstrough made w/
1x4 ripped in half


5'-6"

1" x 1" x 1/8" Angle
Iron bolted to
Hoagstrough



◆ Detail B
Scale: 3" = 1'-0"

University of North Carolina School Of The Arts
School Of Design and Production

Curtain Layout		Advisor Approval
Designer: Manika Gupta	Director: Steve Lacosse	 One of One
Date: March 14, 2014	Scale: = As Noted	
ID: Duncan Jenner-Bennett	ATD: Samuel J. Santolanni	
Drafted by: Ashley Acevedo	LC: Jonah Hargett	