

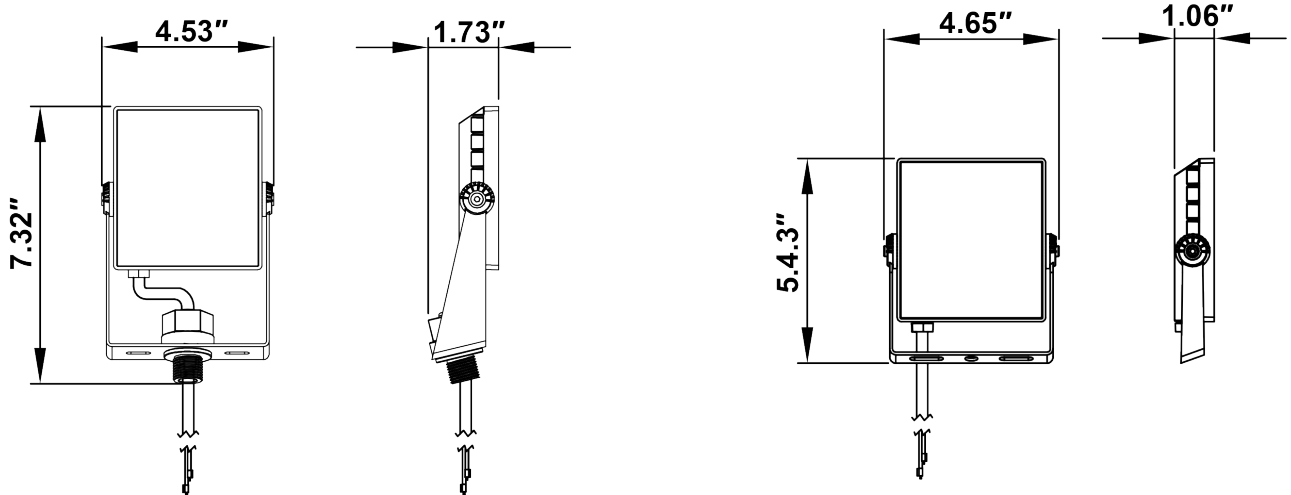
# DRFL10T/10K

10W LED Low-Profile Flood Light

Job Information		
Project Name		Type
Location		
Quantity		Date
Contact/ Name		
Notes		

## Features

- DLC Approved and ETL rated
- Ultra low-profile and light-weight design lends to versatility
- Tempered lens
- Suitable for wet locations
- Watertight cord grip stalled
- Color temperature: 4000K
- Die casting heat sink



SPECIFICATION			
Mount	Trunnion/Knuckle	Dimming	NO
Approved Location	Damp	Input	100-277V AC
Wattage	10 Watt	IP Rating	IP65
Lumens	900Lm	Class II	YES
Certification	cETLus	Lumen Maintenance Factor	70%
Beam Angle	95	Efficacy(Lm/W)	90Lm/W
CTT	4000K	Power Factor	>0.95
CRI	80+	Projected Life	>50,000 hrs
DLC	YES	Warranty	10 Years
Color	Black		

