

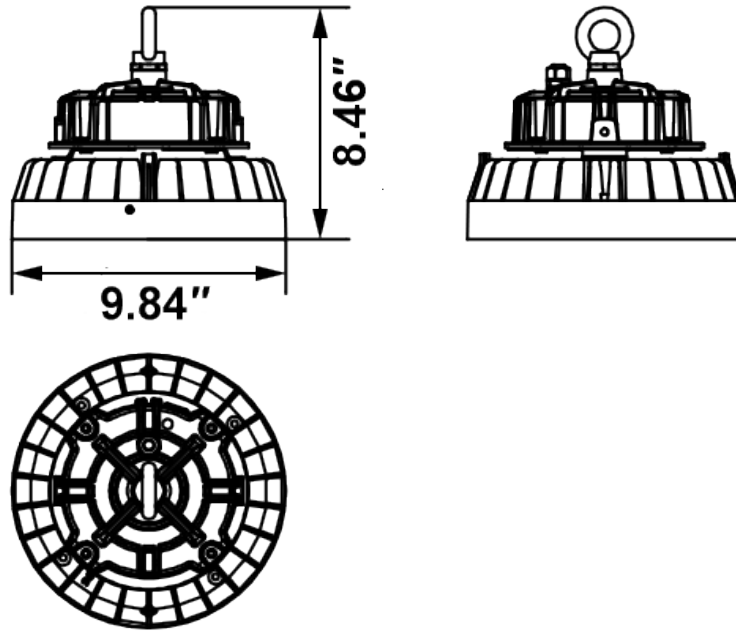
DRUH175/175H

175W LED Linear High Bay

Features

- DLC Approved and ETL rated
- Magnesium alloy design provides better cooling while maintaining al ight weight
- 1-10v dimming optional
- Suitable for damp locations
- color temperature: 4000K/5000K

Job Information		
Project Name		Type
Location		
Quantity		Date
Contact/ Name		
Notes		



SPECIFICATION			
Wattage	175Watt	Dimming	NO
Approved Location	Damp	Input	100-277V AC/347V
Efficacy(Lm/W)	137Lm/W	Warranty	10 Years
Lumens	24,000Lm	Class II	YES
Certification	cETLus	Lumen Maintenance Factor	70%
Beam Angle	95	Projected Life	>50,000 hrs
CTT	4000K/5000K	Power Factor	>0.95
CRI	80+	Dimming Tech	0-10V
DLC	YES		
Color	Black		

