

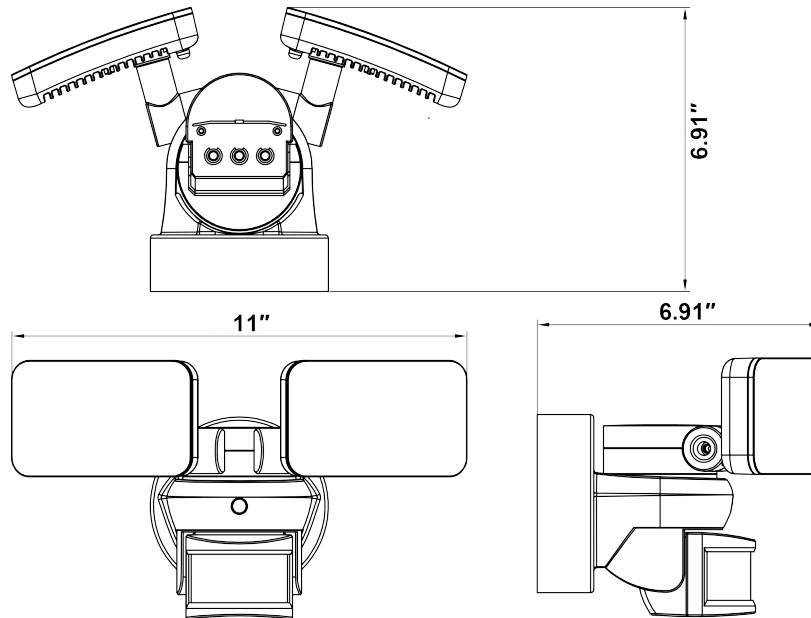
DRSL24

24W LED Security Light with Motion Sensor

Features

- Energy Star and ETL listed
- 2 plastic head with clear, plastic impact-resistant lens
- Wall mounted, recessed junction box required
- Product safety standards
- Suitable for wet locations
- Ideal for patio or entrance lighting
- Motion sensor available
- Color temperature: 4000K

Job Information		
Project Name		Type
Location		
Quantity		Date
Contact/Name		
Notes		



SPECIFICATION			
Wattage	24 Watt	Dimming	NO
Approved Location	Damp	Input	100-277V AC
Efficacy(Lm/W)	83.33Lm/W	IP Rating	IP65
Lumens	2,000Lm	Class II	YES
Certification	cETLus	Lumen Maintenance Factor	70%
Beam Angle	95	Warranty	10 Years
CTT	4000K	Power Factor	>0.95
CRI	80+	Projected Life	>50,000 hrs
DLC	YES		
Color	White		

