

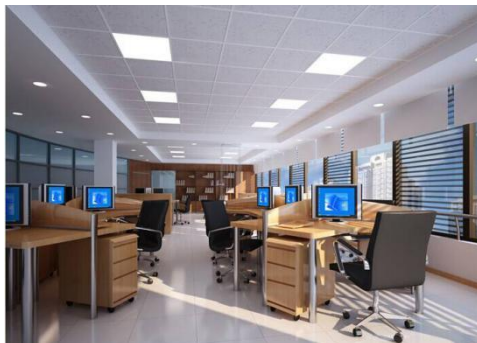
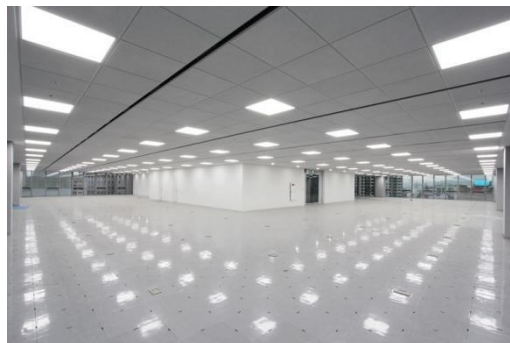
100lm/W



2ft × 2ft



2ft × 4ft

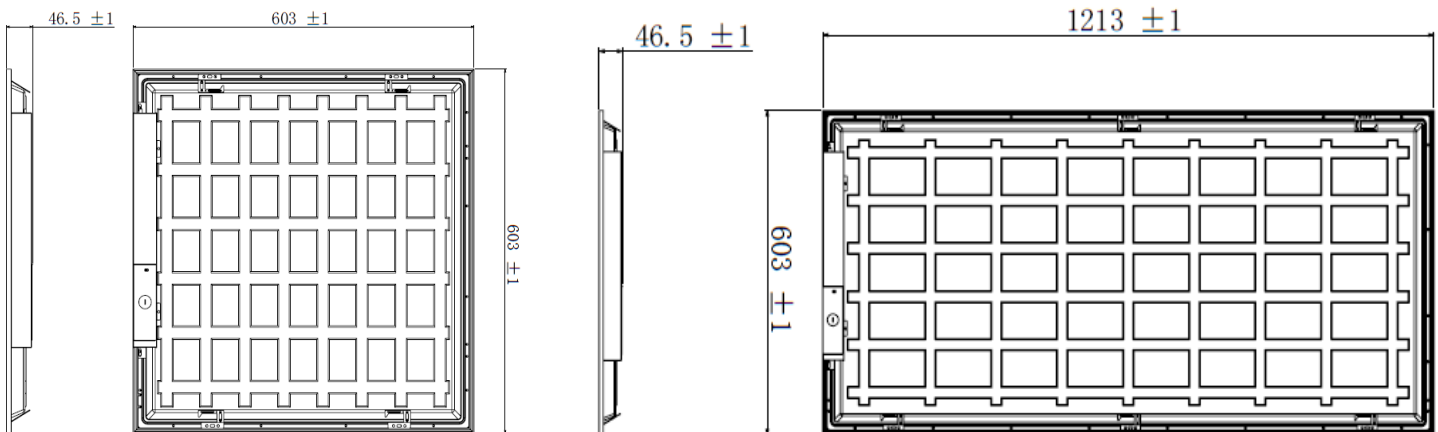


- Three color temperatures
- Color change using integrated switch or wall switch
- Light Efficacy up to 100lm/W
- Input Voltage: 100-347VAC
- 5 years warranty
- 0-10V Dimming

## Specifications

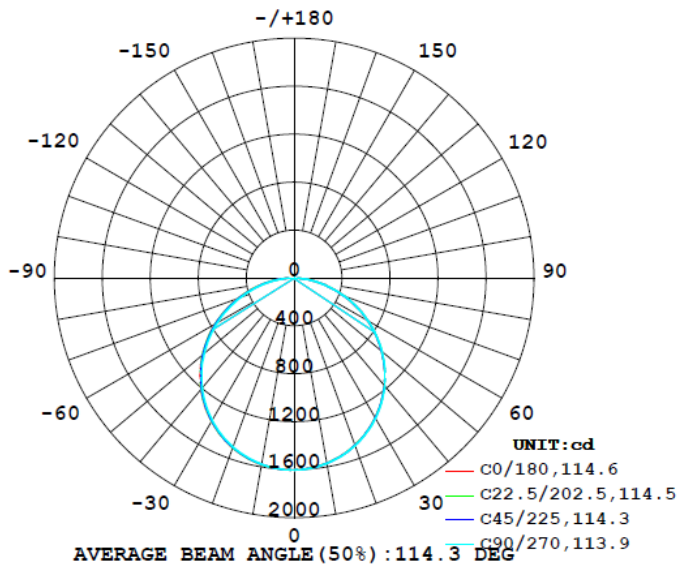
Model	2ft x 2ft QLED-PL22HA1-4CS	2ft x 4ft QLED-PL24HA1-4CS
Typical Wattage	40W	50W
Voltage	100-347VAC	
Frequency	50/60Hz	
Color Temperature	3500K + 4000K + 5000K	
CRI	Ra > 80	
Typical Lumens	4000lm	5000lm
Lumen Efficacy	100lm/W	
Lighting Angle	110°	
Dimmable	0-10V Dimming , 10-100%	
Power Factor	>0.9	
Total Harmonic Distortion	≤20%	
Rated Lifetime (L70)	50,000hrs	
Warranty	5 years	
Operation Temperature	-4 to 104°F / -20 to 40°C	
Storage Temperature	-4 to 104°F / -20 to 40°C	
Operation Environment	Damp Locations	
Certifications	ETL/cETL,	
Main Material	Steel frame, PMMA lens	
IP Rated	IP 20	
Dimensions	L 23-3/4 inches / 603mm W 23-3/4 inches / 603 mm H 1-13/16 inches / 46.5mm	L 23-3/4 inches / 603mm W47-13/16 inches / 1213mm H 1-13/16 inches / 46.5mm
Weight	N/A	N/A

## Dimension Drawings

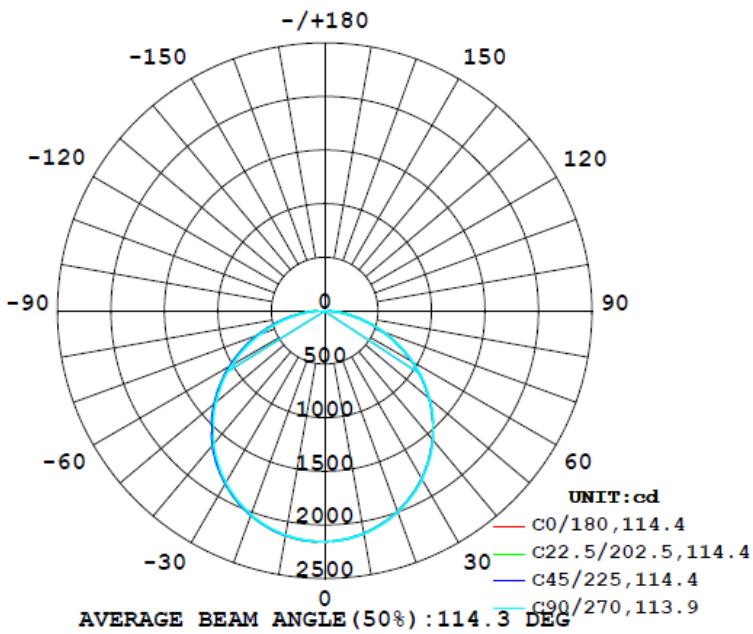


## Candela Distribution Curve

2X2



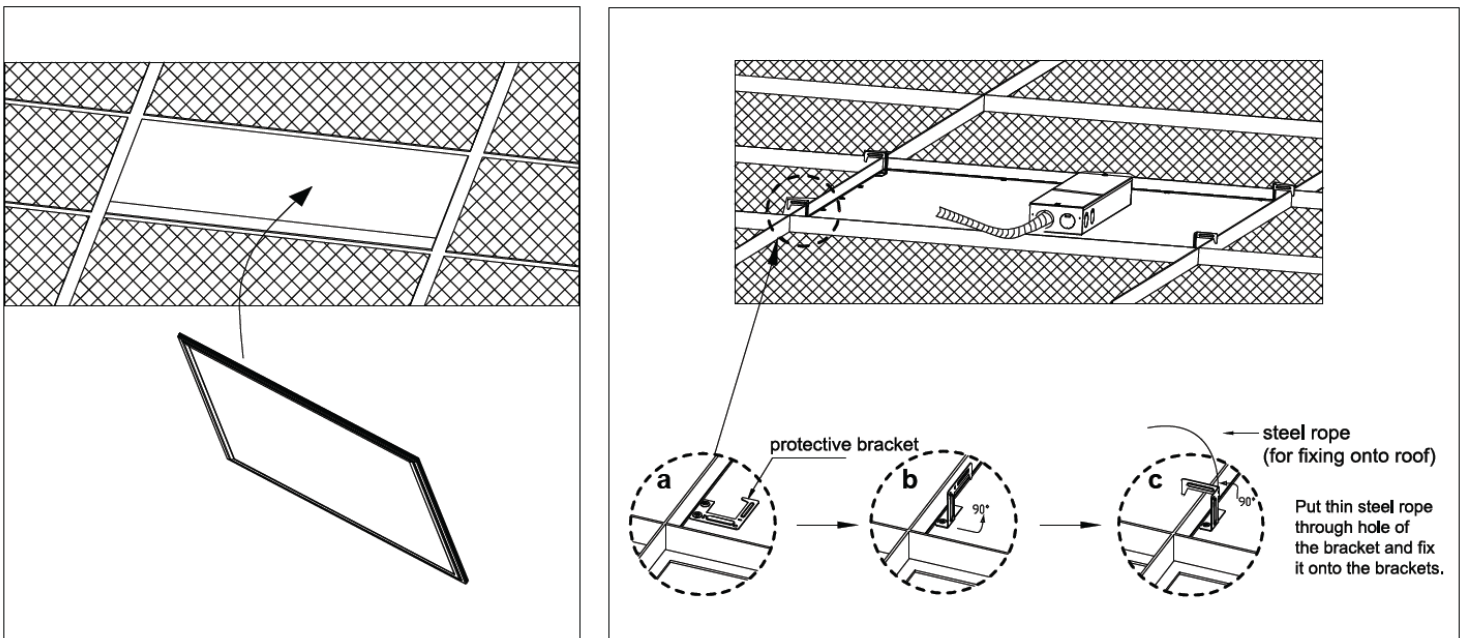
2X4



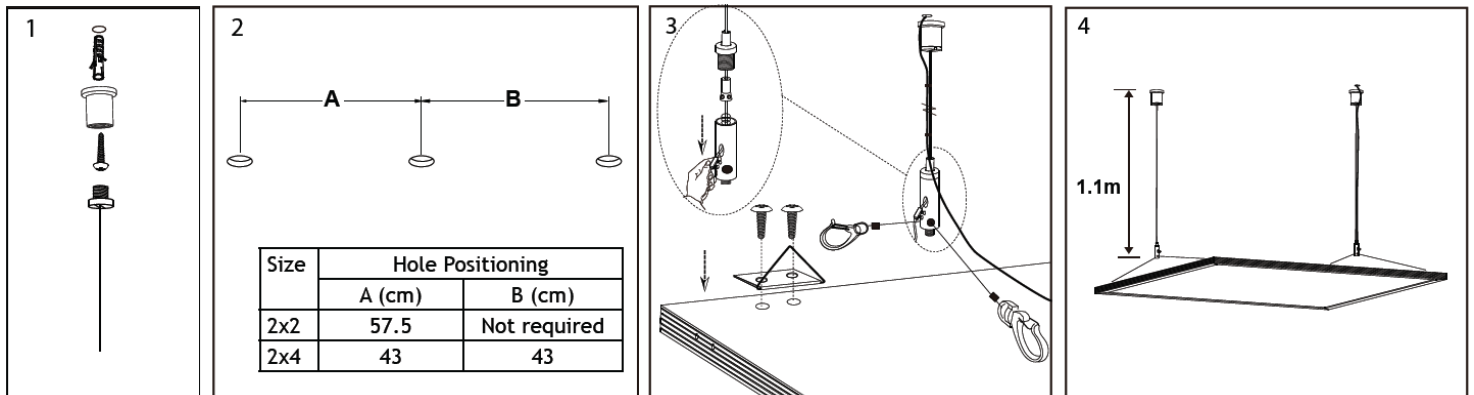
## Installation Guide

### RECESSED INSTALLATION

- Bend hang buckle by 90° positioning it vertical to the rear cover of panel. Bend top of hang buckles horizontally 90°.
- Turn off power and remove the old fixture from the ceiling.
- Place the panel into the ceiling and use the hang buckle to stabilize the panel on T-Bar.
- Secure to ceiling with aircraft cable for safety.



### SUSPENSION INSTALLATION





## Model List

Model Part Number	Typical Wattage	Length x Width	Color Temperature	Lumen Efficacy
QLED-PL22HA1-4CS	40W	2ft x 2ft	3500K+400K+5000K	100lm/W
QLED-PL24HA1-4CS	50W	2ft x 4ft	3500K+400K+5000K	

