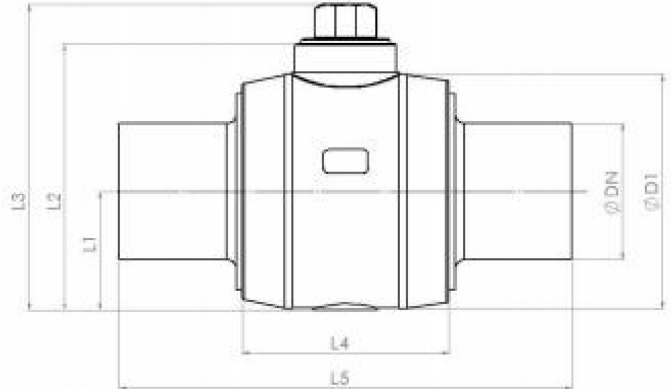


## HDPE BALL VALVES

\*Inch and Metric Sizes



### SDR17/SDR11/SDR9 - 125, 200, 250PSI

Full plastic valve, including HDPE valve body,  
PP or PPO ball, NBR O-rings, PP top cap,

POM spindle. The ends are designed for Butt, Socket, or Electrofusion.

| Size (Inch)   | D1     | L1     | L2      | L3     | L4      | L5      | Port Type | Part Number |
|---------------|--------|--------|---------|--------|---------|---------|-----------|-------------|
| 1"            | 2.599" | 1.30"  | 1.319"  | 2.36"  | 2.874"  | 7.87"   | FULL      | BV010**F    |
| 2"            | 4.84"  | 2.48"  | 6.30"   | 7.91"  | 5.157"  | 11.417" | FULL      | BV020**F    |
| 2.5"          | 5.118" | 2.677" | 6.73"   | 8.307" | 5.118"  | 11.34"  | STANDARD  | BV025**S    |
| 3"            | 6.417" | 3.346" | 7.80"   | 9.29"  | 6.77"   | 14.17"  | FULL      | BV030**F    |
| 4"            | 7.80"  | 4.02"  | 9.09"   | 10.71" | 8.19"   | 16.54"  | STANDARD  | BV040**S    |
| 5"            | 9.528" | 4.84"  | 10.866" | 12.44" | 8.27"   | 18.11"  | FULL      | BV050**F    |
| 6"            | 9.528" | 4.84"  | 10.866" | 12.44" | 8.27"   | 22.05"  | STANDARD  | BV060**S    |
| 6"            | 13.58" | 6.85"  | 15.12"  | 17.60" | 11.614" | 25.20"  | FULL      | BV060**F    |
| 8"            | 13.58" | 6.85"  | 15.12"  | 17.60" | 11.614" | 25.20"  | STANDARD  | BV060**S    |
| Size (Metric) | D1     | L1     | L2      | L3     | L4      | L5      | Port Type | Part Number |
| 32mm          | 66     | 33     | 33.5    | 60     | 72      | 200     | FULL      | MBV032**F   |
| 63mm          | 123    | 63     | 160     | 201    | 131     | 290     | FULL      | MBV063**F   |
| 75mm          | 130    | 68     | 171     | 211    | 130     | 288     | STANDARD  | MBV075**S   |
| 90mm          | 163    | 85     | 198     | 236    | 172     | 380     | FULL      | MBV090**F   |
| 110mm         | 198    | 102    | 231     | 272    | 208     | 420     | STANDARD  | MBV110**S   |
| 125mm         | 210    | 108    | 246     | 284    | 180     | 420     | FULL      | MBV125**F   |
| 140mm         | 242    | 123    | 276     | 316    | 210     | 460     | FULL      | MBV140**S   |
| 160mm         | 242    | 123    | 276     | 316    | 210     | 560     | STANDARD  | MBV160**F   |
| 160mm         | 282    | 145    | 276     | 360    | 252     | 600     | FULL      | MBV160**S   |
| 180mm         | 282    | 145    | 320     | 360    | 252     | 600     | STANDARD  | MBV180**F   |
| 200mm         | 345    | 174    | 384     | 447    | 295     | 640     | FULL      | MBV200**S   |

- Standard: ASTM F1055 (IPS, Inches Sizes)
- Standard: ISO 4437-4, ISO 4427-4 (Metric Sizes)
- Meets NSF61 where applicable
- PE Ball Valves are designed to handle the pressure rating of the HDPE pipe with a 2:1 safety factor at 73.40°F (23°C) with a minimum 50-year design life, depending on application.