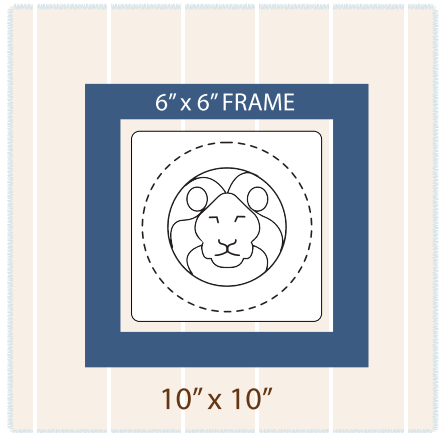


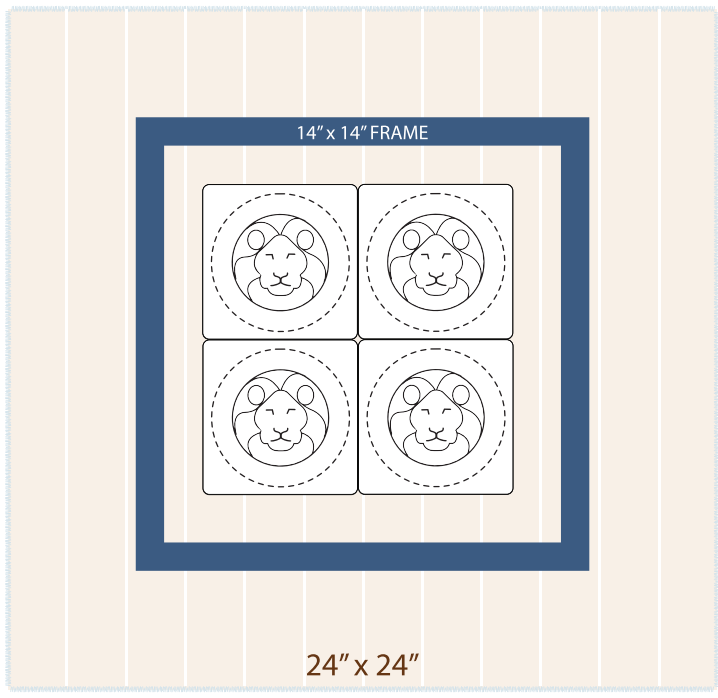
Stencil Instructions

LION Punch Needle Safari

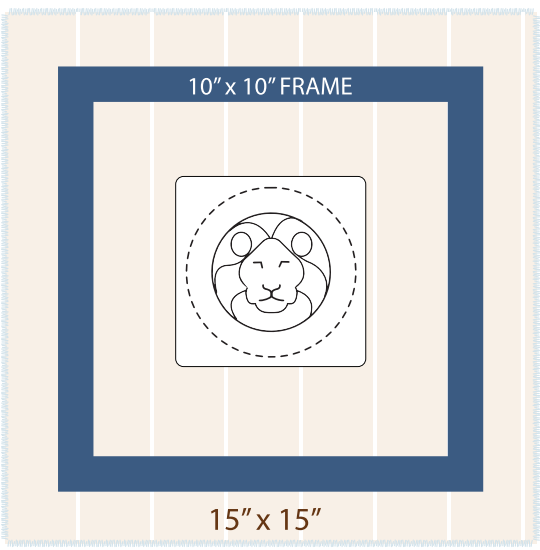
Saturday, April 25
1pm – 3pm Eastern Standard Time



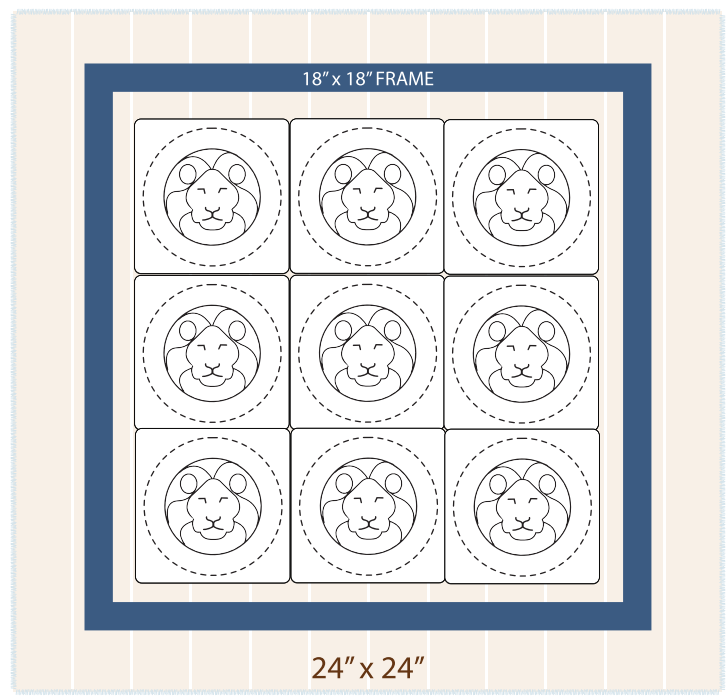
For a 6" x 6" frame, you may use a 10" x 10" pre-cut or larger.



If you have a larger frame you can make more than one Rabbit using the stencil. For multiples you may need to buy extra yarn.



The illustration above shows how a 15" x 15" monk's cloth will fit on a 10" x 10" Oxford Gripper Strip Frame.

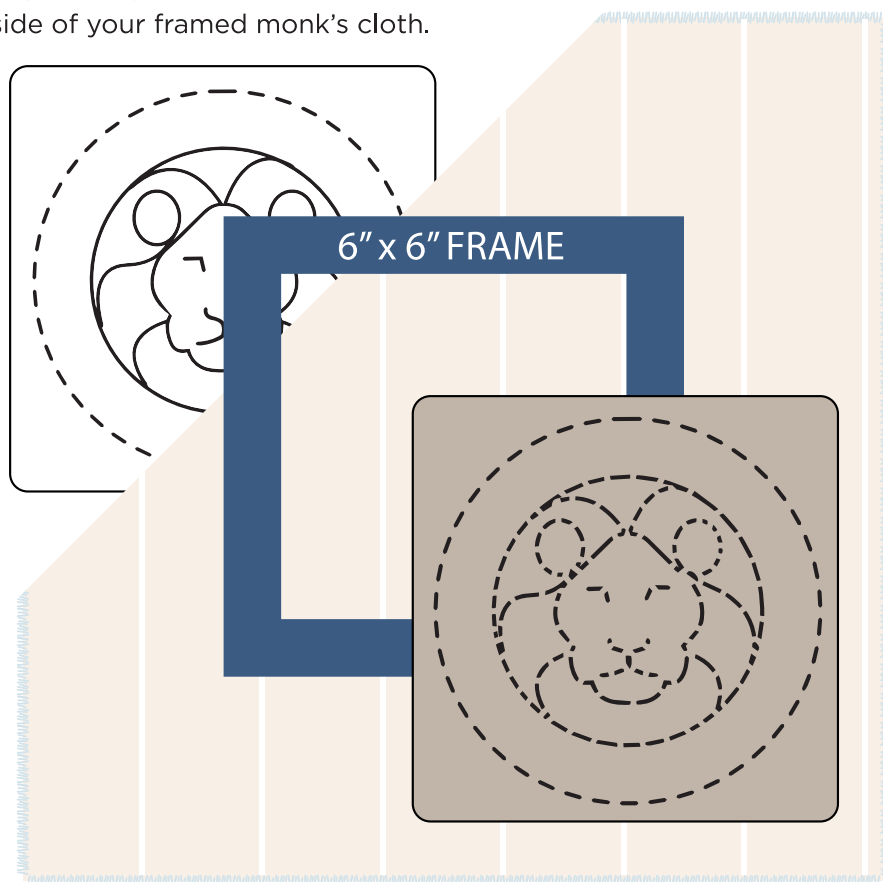


Taryn Kail, Oxford Certified Instructor
Texas Charm Trading Company

www.TexasCharmTradingCompany.com
©2026

Trace with EITHER the printed pattern or the stencil pattern.

use either **Printed Pattern**
Trace the printed pattern using a window or light box by placing it face-down on the bottom side of your framed monk's cloth.



or... **Stencil Pattern**
Trace the stencil face-up on top of your stretched monk's cloth. Then connect the dots to make the lines match the printed pattern.



Stencil Instructions
LION Punch Needle Safari

Saturday, April 25
1pm – 3pm Eastern Standard Time



Taryn Kail, Oxford Certified Instructor
Texas Charm Trading Company

www.TexasCharmTradingCompany.com
©2026

Ballet Slipper	Bleached White	Desert Sands
Buttered Popcorn	Treasure Light	Pencil Factory
Moccasin	Brown Bear	Cast Iron

Each cardboard yarn spool contains approximately 0.16 oz.

All Violet Jane colors and color sample cards are available at www.amyoxford.com and sold as worsted weight for FINE size Oxford Punch Needles or Rug (bulky) for REGULAR size Oxford Punch Needles.

Violet Jane yarn is sold in 4-oz. skeins. Sample sizes like the ones found in your kit will be available in May of 2026 at www.TexasCharmTradingCompany.com as refills specifically made for these kits.



Violet Jane is a product of The Oxford Company.



Wood Frame and Hardware

You kit should come with 0.16 oz. of each color which measures out to approximately 210 inches.



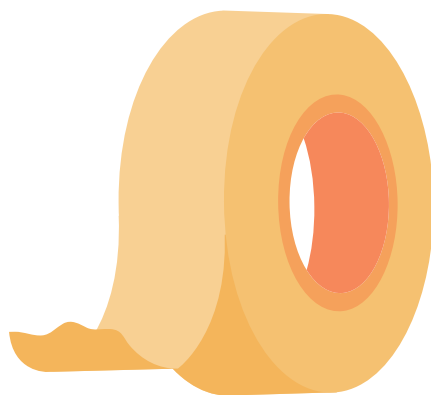
Wood Backing



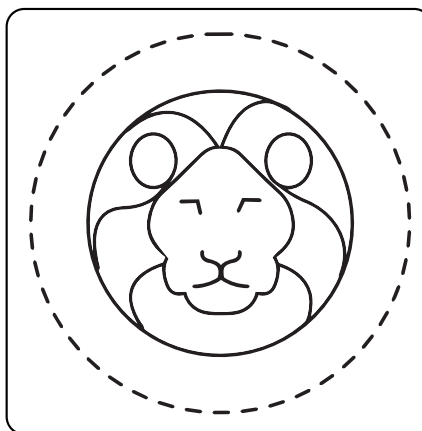
Wood Round and Adhesive



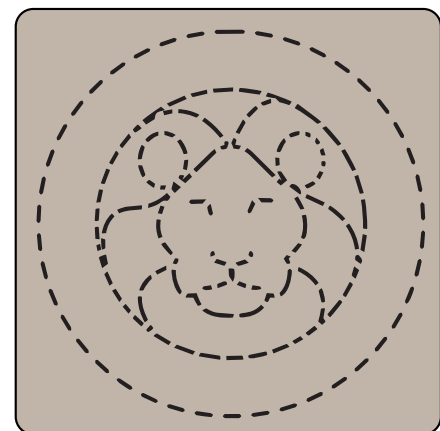
Bag Charm Hardware



MASKING TAPE



Printed Pattern



Stencil Pattern

