



Best choice in all DR

Jumong F

SG Healthcare Jumong F
Digital radiography specifications

Higher workflow efficiency

Jumong F



SG's Floor mounted system is designed to offer all types of exams to clinics which have high volumes of patient

Its compact and clever design delivers high-performance as well as cost-effective operation

Best solution for all your radiology needs

Designed for high efficiency with minimum investment

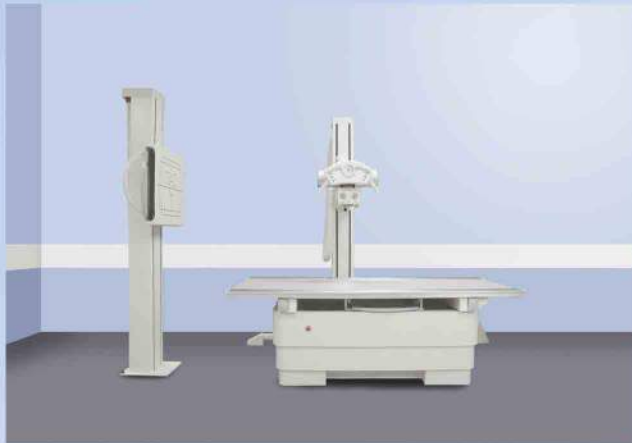


Contents

1.	Overview of room configurations	3
1.1	Room dimensions	4
2.	Rooms	5
2.1	Efficient room	5
2.2	System dimensions	6
3.	Image quality	7
3.1	Flat Detector	7
4.	Digital workflow	8
4.1	Control console & Digital Unit	8
4.2	DICOM	9
5.	X-ray generation	10
5.1	Generator	10
5.2	X-ray tube	10
5.3	Collimator	10
6.	Floor rail tube stand	11
6.1	Floor rail tube stand	11
7.	Wall stand	12
7.1	Wall stand	12
8.	Table	13
8.1	Floating table	13
8.2	Floating movement	13
9.	Service	14

1. Overview of room configurations

Jumong F is a productive efficient solution for your daily clinical practice. The combination of space saving upright stand, floor-mounted and floating table are designed for high quality performance with minimum investment. Digital flat panel detector offers advanced image quality in any harsh environments. Jumong F provides fast-easy workflow, advanced DR images, and high reliability for all radiology needs.



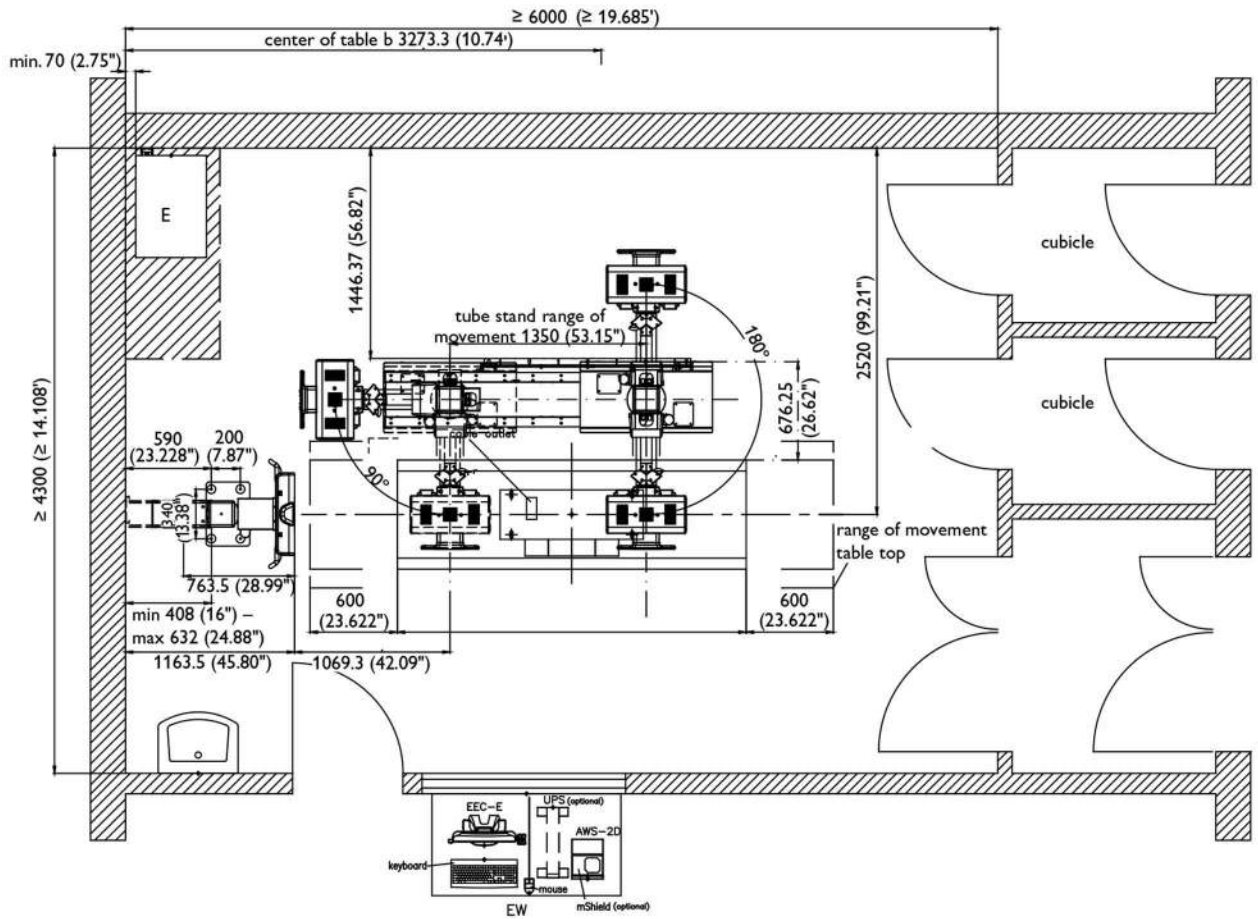
Efficiency room



Value room

1.1 Room dimensions

All dimensions in mm

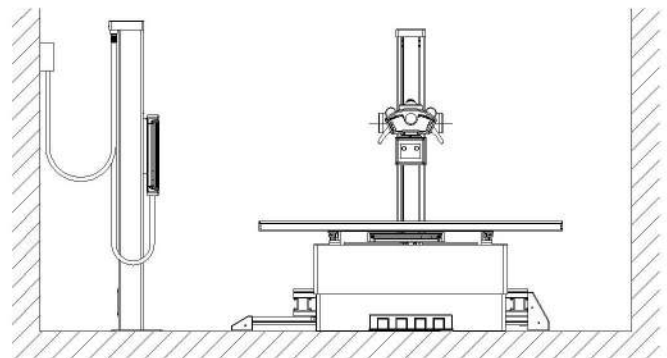
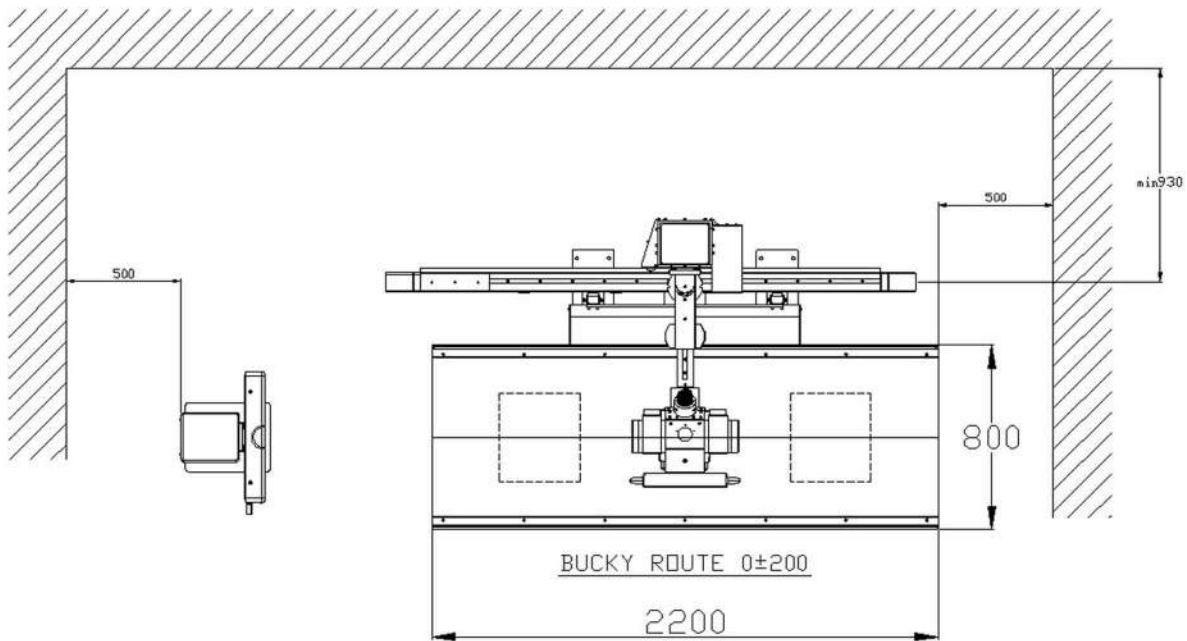


2. Rooms

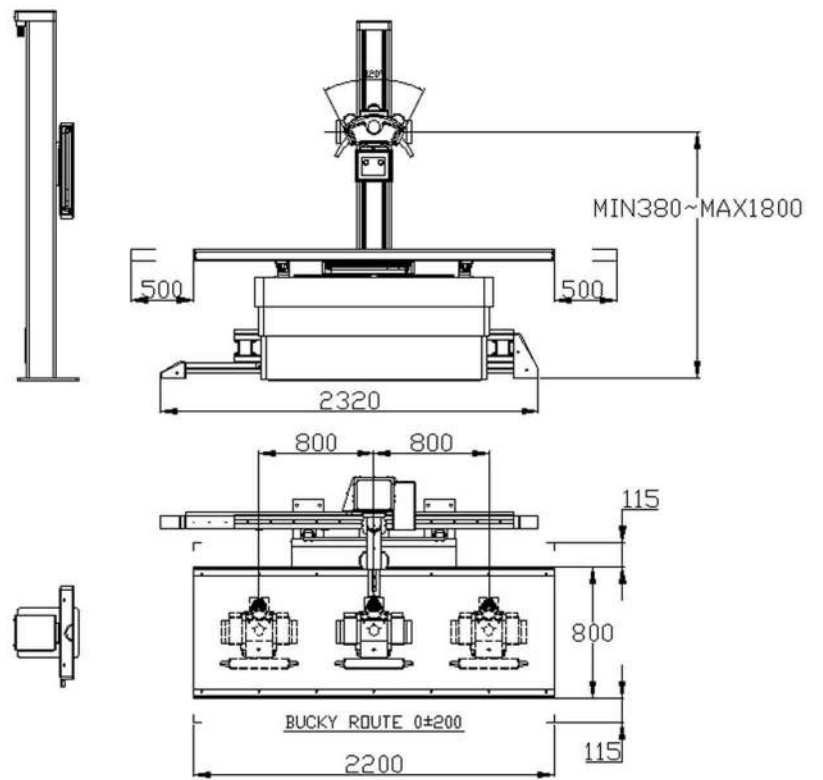
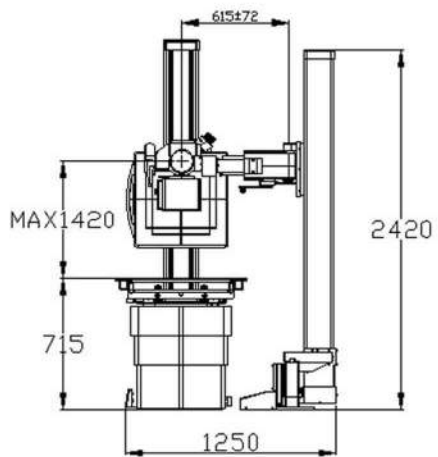
SG HealthCare Jumong F Efficiency room supports healthcare professionals with a user-friendly workflow. It provides satisfactions for both of clinical advantages and economic values.

Jumong F efficiency room is comprised of a digital flat panel detector, vertical stand and floor-mounted tube and floating table.

2.1 Efficient room



2.2 System dimensions



3. Image quality

High quality image processing software of SG Healthcare provides immaculate clinical images for all anatomical areas. Automated contrasting process instantly provides optimized images leaving your hands freely at your will.

Our flat panel detectors provide high and stable quality images under harsh environment (Shocks, vibrations, temperatures And humidity)
The 17" x 17" fixed digital detector supports large size diagnostic images.

3.1 Flat Panel Detector

- Scintillator: CsI:TI [SGC] / Gd₂O₃:Tb [SGG]
- Effective Imaging Area: 423x423mm
- 3,328x3,328 matrix, 14bit AD conversion
- 127micron pixel pitch
- Image acquisition and Transfer time: 3 sec.
- Less than 7 sec. for between two exposure
- 3.9 lp/mm spatial resolution

Use Environment of Detector

Item	Operation	Storage & Transportation
Temperature	· +10~+35°C	· -15~+55°C
Humidity	· 30~85% (Non-condensing)	· 10~90% (Non-condensing)
Atmospheric Pressure	· 700~ 1,060 hPa	· 500~ 1,060 hPa
Shock	· 1.6G	· 20G
Vibration	· 0.7G	· 0.7G



17"x17" cassette sized FPD

4. Digital workflow

Digitalized Jumong F will be more convenient and faster compared to the analog radiography process. Both patients and clinicians can benefit from this digitalized process since clinicians can spend more time with patients. The Fineview user interface uses the data from the radiology image system(RIS) to automatically set the right pre-adjustments for image processing, printing and exporting to PACS or printer. All generator functionality is completely combined into the Fineview, saving you space and time.

4.1 Control console & Digital Unit

- Controlled by keyboard and mouse
 - HIS/RIS
 - Integrated console with generator
 - OS Win7
 - 500GB HDD and 4GB RAM
-



4.2 DICOM

Jumong F is DICOM compatible. This means that you can benefit from all relevant DICOM services offered via this common medical data transfer standard. Storing, retrieving printing and other features may enhance your workflow. You can choose between the complete

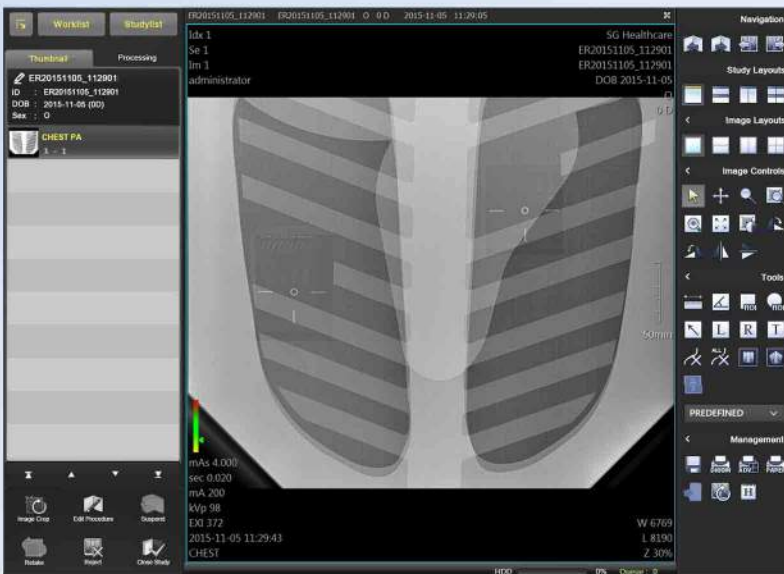
- DICOM package, which includes:
 - DICOM WLM and Classic RIS (Work List Management)
 - DICOM MPPS (Modality Performed Procedure Step)
 - DICOM Print
 - DICOM Image Export, which includes the services DICOM Store and Storage Commit Or you can choose each DICOM function individually.

fineVIEW



SG Fineview

- Easy User Interface & Simple Workflow
- Professional Image Processing for Diagnostic Use
- DICOM 3.0 Compatible [Worklist, Storage, Printing]
- A variety of Image Measure Tools



5. X-ray generation

Dual-focus rotating anode X-ray tubes deliver superb performance over a long lifetime. It uses high performance components which can be joined into customer specific solutions. Also, generators feature a modern architecture based on a modular design. The generator control console is integrated in the fineview user interface to simplify workflow.

5.1 Generator

- CPI CMP200 DR Series
- Single/Three phase, 220VAC±10%/400VAC±10%
- 40-150kv in 1kv increments
- Options
 - AEC, DAP, 15" Touch screen console
 - Mini console for integrated console pc

5.3 Collimator

- Manual Collimator
- Options
 - CU or AL filters
 - Laser centering and time adjusted light system
 - With Ruler

5.2 X-ray tube

- Anode Heat Storage Capacity: 140KHU
 - Options
 - 300KHU, 350KHU, 400KHU and 600KHU
-



6. Floor rail tube stand

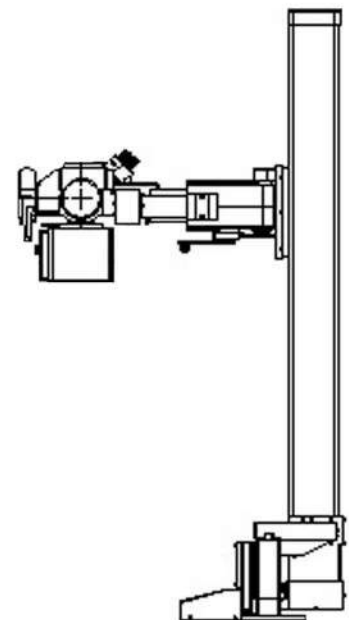
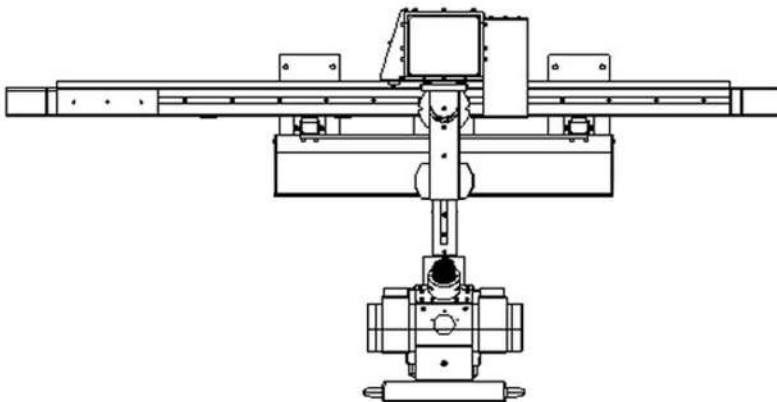
Ease move floor-mounted x-ray tube handles difficult projection angles for various applications Large travel range of tube rotation allows flexibility for your clinical practice.

6.1 Floor rail tube stand

- Full movements with handle bar
 - Tube stand rotation: Catch point every 90°
 - Tube rotation range: $\pm 180^\circ$ (Catch point at $\pm 90^\circ$)
 - Lock: Fixed by clutch
 - Operation: Dial panel type
-

Movement range

- Vertical: Min.380mm-Max.1800mm
- Horizontal: 1530mm
- Transverse: 130mm



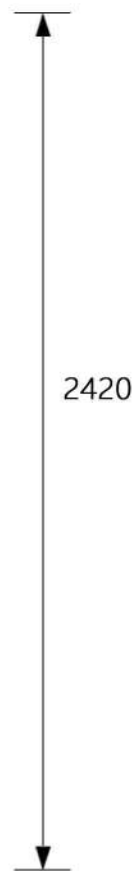
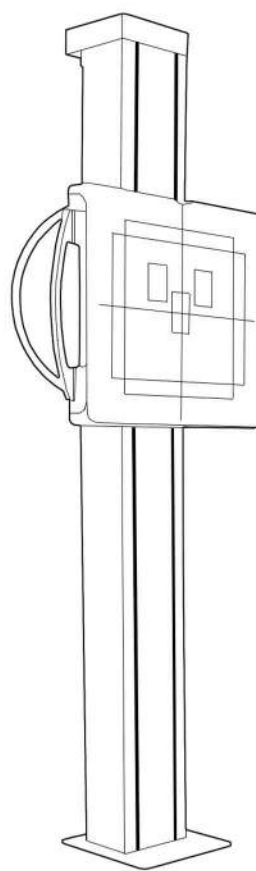
7. Wall stand

Small footprint upright stand provides flexibility for patient comfort and fast time exam procedures.

The large range vertical movement allows patient exams at different heights.

7.1 Wall stand

- Movement: Manual by handle
- Movement range: Min. 375mm-Max. 1790mm from floor



8. Table

Four way floating table smoothly works for patient comfort and stability. Patient loading capacity is up to 350kg.

8.1 Floating table

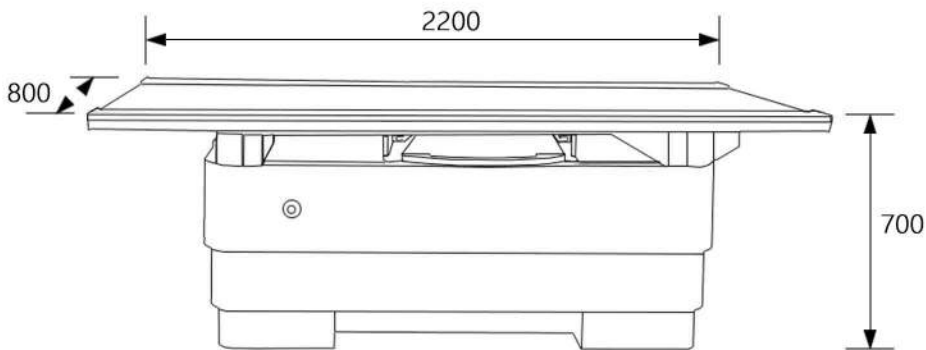
- Low X-ray attenuation material table with 350kg patient weight capacity
 - Table top filtration: 0.8mm Al. equivalent (Option: Carbon fiber)
 - Length: 220cm/86.6 in
 - Width: 80cm/31.5 in
 - Height from floor: 70 cm/28 in
 - Patient capacity: 350 kg
-

8.2 Floating Movement

- Transverse: +/- 550mm
 - Longitudinal: +/- 115mm
 - Bucky: +/- 350mm
 - Vertical (option): 570-890mm
-

Dimensions

All dimensions in mm





9. Service

Customer Oriented



Your values are of utmost importance to us. As a leading medical diagnostic device manufacturer, we take full responsibility in satisfying your needs by providing high quality products to the global market. Also, by collaborating user friendly interface and design, we actualize your desires and needs. We promise to stand by your side and always strive to add pleasure at your work place.

Approved Quality



We put great deal of emphasis on well-being of mankind. SG Healthcare upholds this value by manufacturing reliable and reasonable medical diagnostic devices. And also by distributing our quality products all over the world through fortified SG Healthcare's global network, we wish to present better life for every little breath.

24/7 Fast response



We embrace all challenges and counter act with pride and quickness to all claims. Fast response offers customers with satisfaction and improves reliability of SG Healthcare. We strive to provide the most comprehensive service for every claim, regardless of location and time. This is how we have maintained friendship over 30 countries worldwide.



753 ITECO, 150 Jojeong-Daero, Hanam-Si, Gyeonggi-Do, 465-736, Korea
4801 Wilshire Blvd, Ste. 104 Los Angeles, CA 90010 USA

Copyright © SG HealthCare Co.,Ltd. All Rights Reserved.

How to reach us

www.sghealthcare.com

sales@sghealthcare.com

Tel +82 (0)31 790 0647 / FAX +82 (0)31 790 0604