



# Best choice in all DR

## **Jumong M**

**SG HealthCare Jumong M**  
Digital radiography specifications

# Higher workflow efficiency

## Jumong M



Designed for high efficiency with minimum investment

Fully featured and designed for chest, supine and other radiography examinations. Whatever you need, you can find the right solution with an ease. Dual FPD system provides your patients a swift, smooth examination. Your staff an easy-to-use enviroment and your facility a reputation for quality.

# Contents

1.	Overview of room configurations	4
2.	Image quality	5
2.1	Flat Detector	
3.	Digital workflow	6
3.1	Control console & WS	
4.	X-ray generation	6
4.1	Generator	
4.2	X-ray tube	
4.3	Collimator	
5.	Overhead Tube Crane	7
5.1	Overhead Tube Crane	
6.	Dimension	8
6.1	Dimension	
7.	Wall stand	9
7.1	Wall stand	
8.	Table	10
8.1	Floating table	
8.2	Floating movement	
9.	Service	11

# 1. Overview of room configurations

- High-throughput performance and easy workflow. Up to threefold efficiency
- RIS Modality worklist interface for patient's examination and grouped procedure configuration
- Configurable procedure step sequencing by predefined APRs
- Consistent gray scale presentation
- DICOM 3.0
- Auto tracking with wall stand and 6-way table



## 2. Image quality

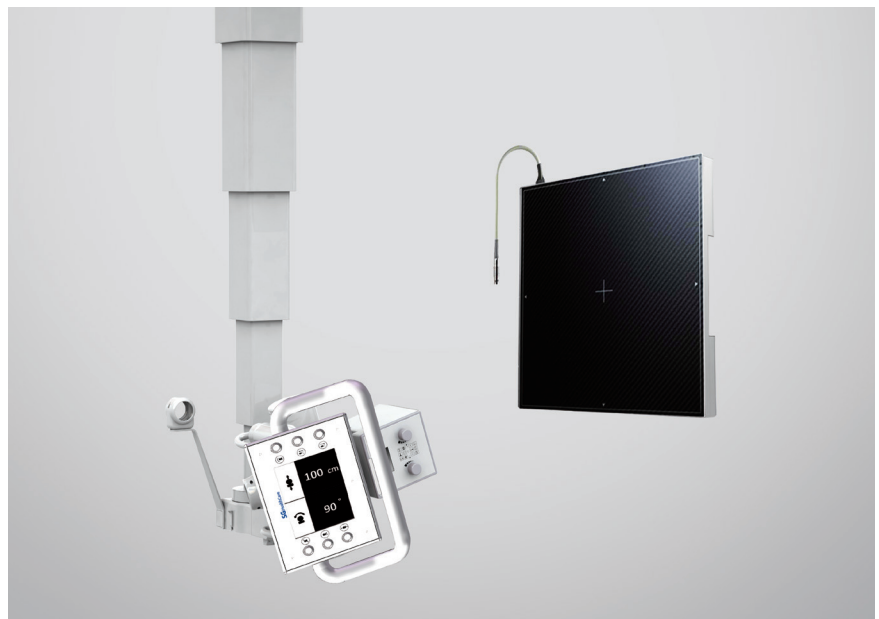
High quality image processing software of SG HealthCare provides immaculate clinical images for all anatomical areas. Automated contrasting process instantly provides optimized images leaving your hands freely at your will.

Our flat detectors provide high and stable quality images under harsh environment (shocks, vibrations, temperatures and humidity). The portable digital detector supports large size diagnostic images.

### 2.1 Flat Detector

---

- Scintillator: CsI:TI [SGC]/Gd<sub>2</sub>O<sub>2</sub>S:Tb[SGG]
  - Effective imaging area: 423mm x 423mm
  - 3,328 x 3,328 matrix, 14bit AD conversion, 11 Million pixels
  - 127 micron pixel pitch
  - Image preview time: 3sec.
  - Less than 7 sec. for between two exposures
  - 3.9 lp/mm spatial resolution
- 



# 3. Digital workflow

## 3.1 Control Console & WS

---

- Controlled by keyboard and mouse
  - HIS/RIS
  - Integrated console with generator
  - OS Win7
  - 500GB HDD, 4GB RAM, 24" LED
  - monitor (1TB HDD option)
- 



# 4. X-ray Generator

Dual-focus rotating anode X-ray tube delivers superb performance over a long lifetime. It uses high performance components which can be joined into customer specific solutions. Also, generators feature a modern architecture based on a modular design. The generator control console is integrated in the Fineview user interface to simplify workflow.

## 4.1 High Frequency Generator

---

- CPI CMP200 DR Series, 50kW (option: CPI 65kW, 80kW)
  - Single/Three phase, 200VAC $\pm$ 10% /400VAC $\pm$ 10%
  - Option: AEC, DAP, 15" Touch screen console, Mini console for integrated console pc
- 

## 4.2 X-ray Tube

---

- Anode heat storage capacity: 300kHU
  - Option: 400kHU and 600kHU
  - Focal spot: 0.6/1.2mm
  - Input energy: Min. 32-77kW
- 

## 4.3 Collimator

---

- Manual collimator with ruler
  - Option: CU or AL filters, laser centering and time adjusted light system, automatic collimator
-



# 5. Overhead Tube Crane



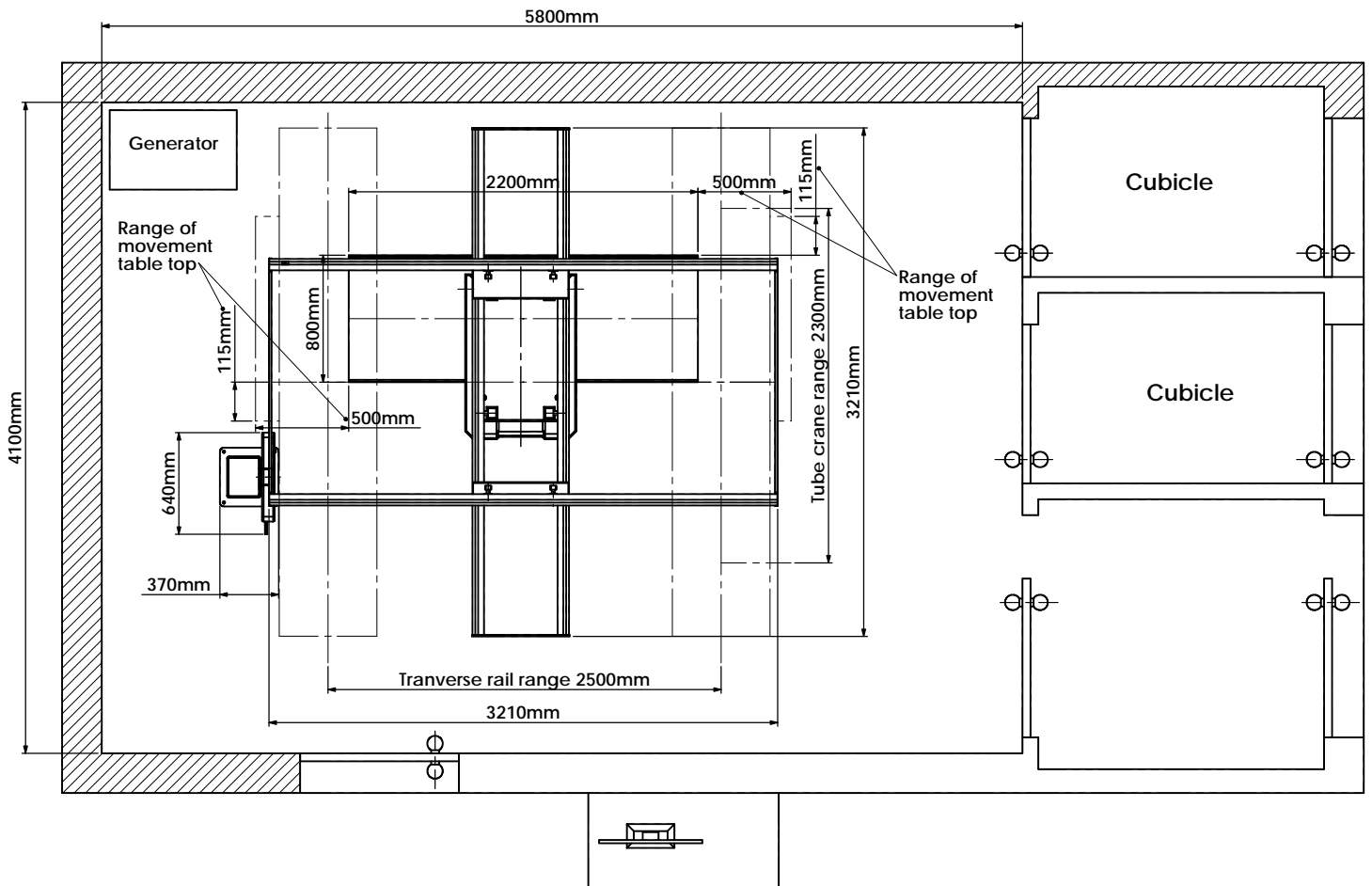
## 5.1. Overhead Tube Crane

---

- Ceiling suspension system with vertical motorized and manual (auto tracking)
  - Longitudinal travel: 3,320mm, and more
  - Transverse travel: 2,130mm, and more
  - Vertical travel: 1,500mm
  - Tube rotation: Horizontal:  $-150^{\circ}$  to  $180^{\circ}$  with catch position at  $-90^{\circ}$ ,  $0^{\circ}$ ,  $90^{\circ}$   
Vertical:  $-150^{\circ}$  to  $+150^{\circ}$
  - Tube's angle indicator with SID
- 



# 6. Dimension





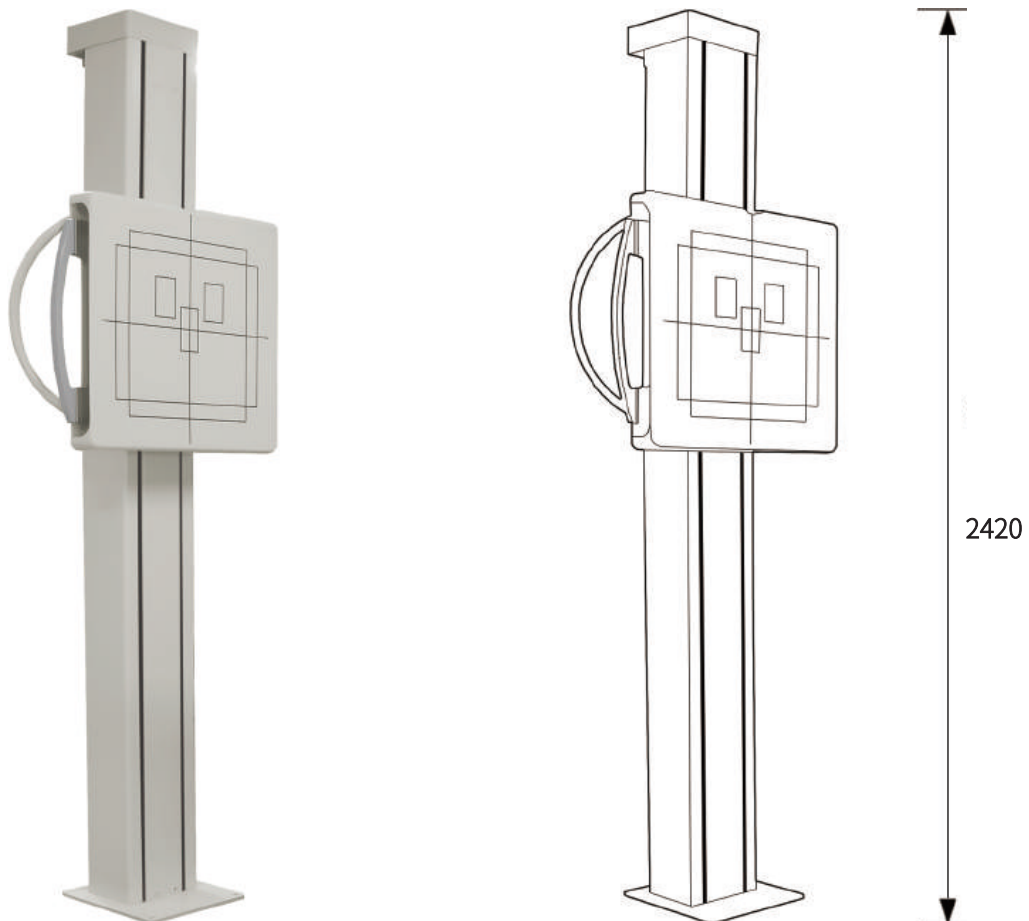
# 7. Wall Stand

Small footprint upright stand provides flexibility for patient comfort and fast time exam procedures.

The large range vertical movement allows patient exams at different heights.

## 6.1 Wall Stand

- Manual by handle
- Movement range: Min. 375mm - Max. 1,790mm from floor



# 8. Table

Four way floating table smoothly works for patient comfort and stability. Patient loading capacity is up to 350kg.

## 7.1 Floating Table

---

- Low X-ray attenuation material table with 350kg patient weight capacity
  - Table top filtration: 0.8mm Al. Equivalent (Option: Carbon fiber)
  - Length: 2,200mm/86.6in
  - Width: 800mm/31.5in
  - Height from floor: 700mm/28in
  - Patient capacity: 350kg
  - Transverse:  $\pm 550$ mm
  - Longitudinal:  $\pm 115$ mm
  - Bucky:  $\pm 350$ mm
  - Vertical (option): 570 - 890mm
- 

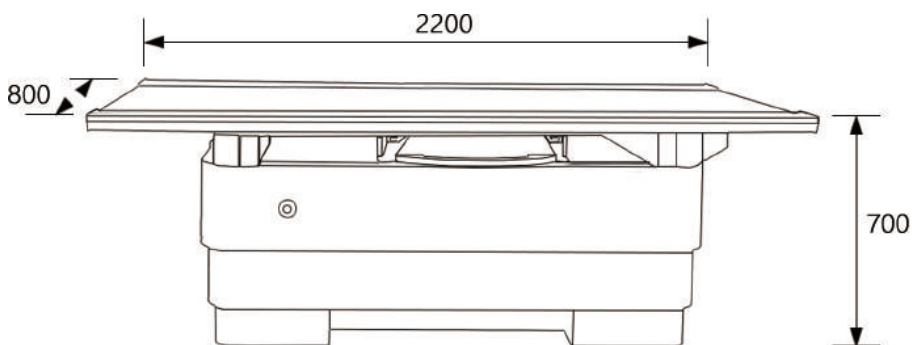
## 7.2 Floating Movement

---

- Longitudinal: +/- 550mm
  - Transverse: +/- 115mm
  - Detector: +/- 350mm
  - Vertical (option): 570 - 890mm
- 

### Dimensions

All dimensions in mm





## 9. Service

### Customer Oriented



Your values are of utmost importance to us. As a leading medical diagnostic device manufacturer, we take full responsibility in satisfying your needs by providing high quality products to the global market. Also, by collaborating user friendly interface and design, we actualize your desires and needs. We promise to stand by your side and always strive to add pleasure at your work place.

### Approved Quality



We put great deal of emphasis on well-being of mankind. SG Healthcare upholds this value by manufacturing reliable and reasonable medical diagnostic devices. And also by distributing our quality products all over the world through fortified SG Healthcare's global network, we wish to present better life for every little breath.

### 24/7 Fast Response



We embrace all challenges and counter act with pride and quickness to all claims. Fast response offers customers with satisfaction and improves reliability of SG Healthcare. We strive to provide the most comprehensive service for every claim, regardless of location and time. This is how we have maintained friendship over 30 countries worldwide.