

GENERAL

	PAPAYA 3D	PAPAYA 3D PLUS
Exposure Time	Panoramic	9 ~ 17 sec
	Cephalometric	—
	CT	7.7/14.5 sec
FOV	Φ35 x 40mm ~ Φ140 x 140mm (19 programs available)	
Voxel Size	75~400 μm adjustable	
Focal Spot	0.5mm	
Target Angle	5°	
Tube Voltage	60 ~ 90kV	
Tube Current	4~12 mA	
Line Voltage	220V, 50/60Hz	

SENSOR

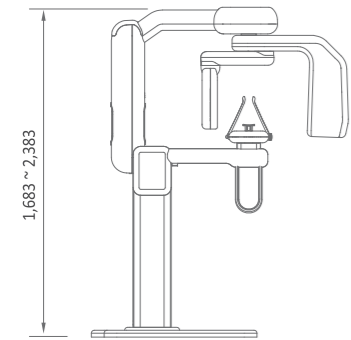
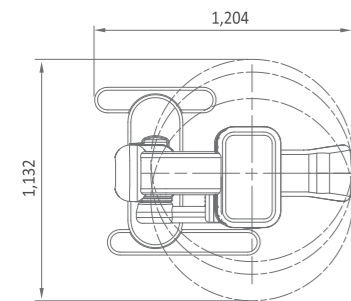
	CT	Panoramic	Cephalometric
Pixel Pitch	100 x 100 μm	75 x 75 μm	75 x 75 μm
Active Area	130.2 x 128 mm	152 x 6.45 mm	228 x 6.45 mm

* The specification maybe subject to improvement

Technical Specifications

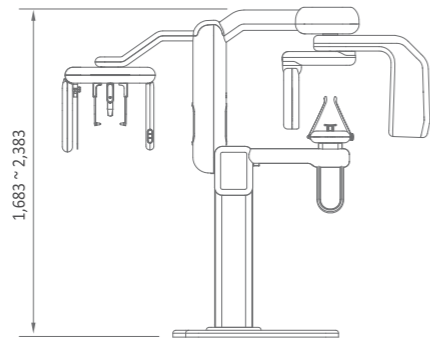
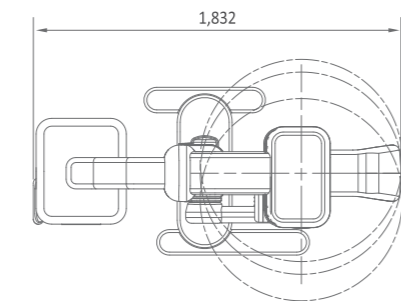
Dimensions

PAPAYA 3D



1,204 x 1,130 x 2,383 mm
145 kg

PAPAYA 3D PLUS



1,832 x 1,130 x 2,383 mm
160 kg



PAPAYA 3D PLUS

Combination Imaging System



3D CT
Panoramic
Cephalometric

- Multi-FOV Selection
- 7.7 sec Fast Scan for 3D image
- Dedicated sensor for each mode
- Safety, stability, durability



PAPAYA 3D PLUS

Combination Imaging System

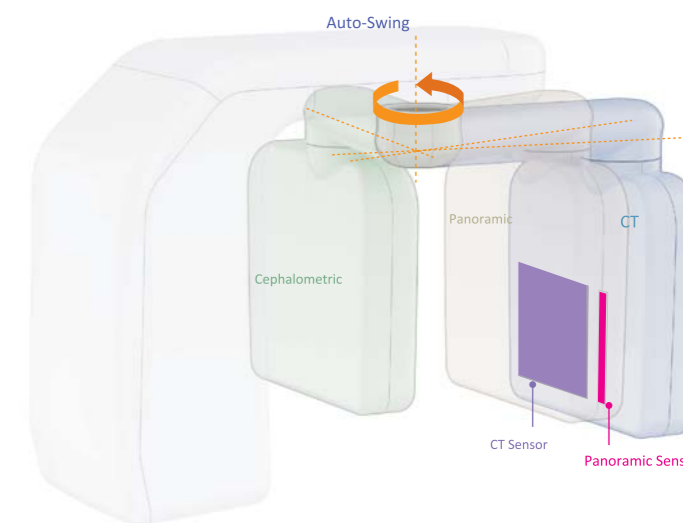
PAPAYA 3D PLUS combines 3D CT, Panoramic and Cephalometric (optional), to meet all diagnostic needs. The versatile imaging capability provides the user with accurate information for implant planning.



Cephalometric dedicated sensor

Automated sensor switching for each scanning mode.

Auto-swing system positions the appropriate sensor without manual intervention.



All axis motorized movement (UP/DOWN/LEFT/RIGHT).

The structure is optimized for safety, stability, and durability.

- Balance and rigidity prevents position errors during scan
- Stability reduces installation requirements

- Multi-FOV Selection
- 7.7 sec Fast Scan for 3D image
- Dedicated sensor for each mode
- Safety, stability, durability



The remote activation control includes an emergency stop button



Convenient storage tray for patient's articles during examination.



Voice prompting for patient guidance and re-assurance.



Face to face layout assists in accurate patient positioning



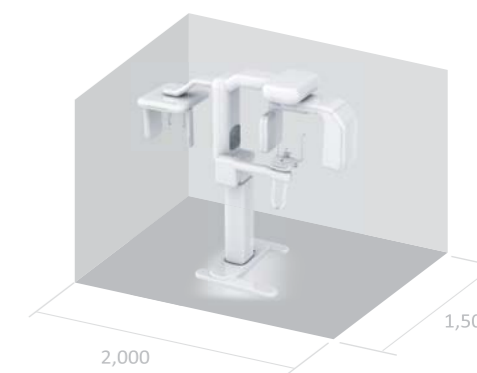
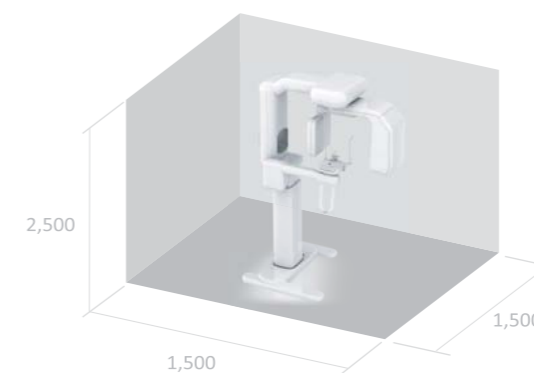
Motorised raising and lowering with easy incremental adjustments.



Hand Grip



Wheelchair access



3D CT

High Resolution Computed Tomography Technology

Clearly defined images in three dimensions provide users with accurate diagnostic information.



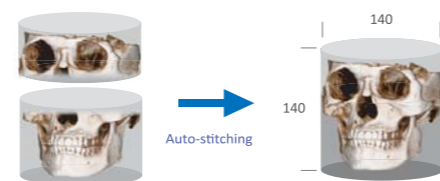
Fast scan mode 7.7 sec

Scanning times of as low as 7.7 seconds reduce dose, motion artifacts and image distortion.



Auto-stitching technology

The wide high definition images can be enhanced by auto-stitching technology



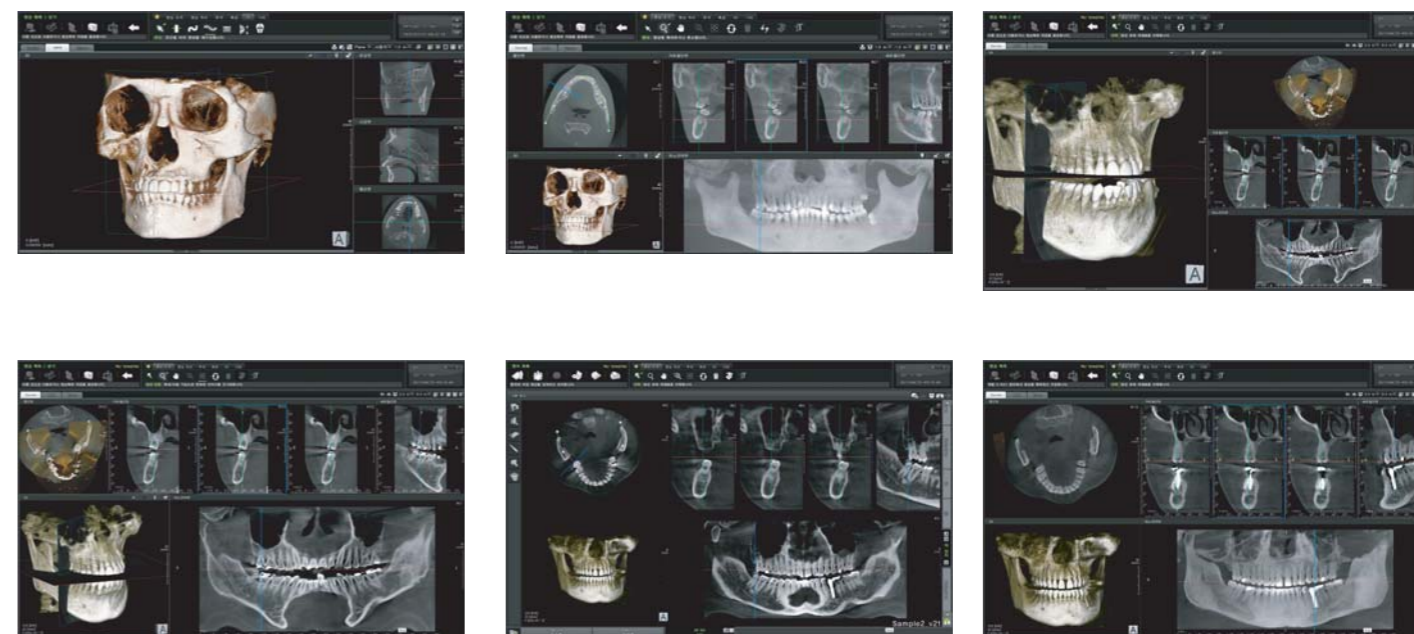
Dedicated sensor for CT

A separate sensor, optimised for CT imaging ensures the best results.

Multi-FOV Selection

Multi-F.O.V. selection enables accurate scanning whilst keeping dose levels to a minimum.

 40 50 FOV 4x5	 70 70 FOV 7x7	 80 80 FOV 8x8	 80 140 FOV 14x8	 140 140 FOV 14x14
Endo	Teeth		Jaw	Face
Endodontic	High Resolution	High Definition	Normal Resolution	Low Dose
Endo mode shows high definition images	High contrast images of upper / lower jaw enable accurate diagnosis.		Provides an image of the full arch.	full arch including relevant bone areas
Half Scan 7.7sec			full Scan 14.5sec	



Panoramic

High Resolution Panoramic Technology



- The CdTe sensor produces high quality images while reducing exposure levels.
- The Multi-focus function improves image analysis and avoids the need for re-exposure.
- The combination of linear and rotational movement allows for a greater variety of exposure modes.

Multi-Focus Function

The Multi-focus function can overcome patient mis-positioning, The 5 layers can be explored to select the correctly focused one.



One scan will acquire 5 images. The image separation can be varied from 0.1 to 5 mm.

Exposure Programs

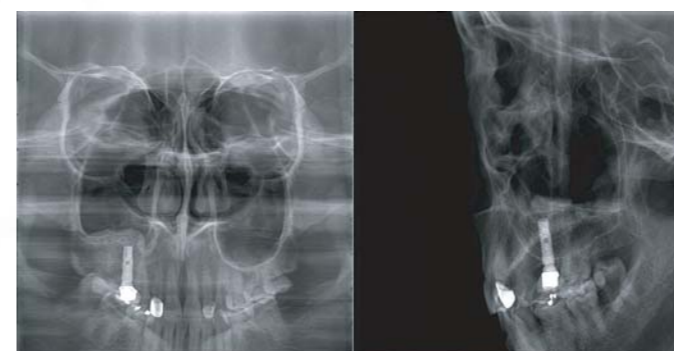
PAPAYA 3D PLUS supports various exposure programs, fulfill all diagnostic needs. Standard panoramic, orthogonal panoramic, bitewing panoramic, child panoramic, TMJ lateral double, horizontal & vertical X-ray segmentation, TMJ PA double, TMJ LAT-PA, TMJ LAT-PA double, sinus lateral and sinus PA are supported.



Standard panoramic



Orthogonal panoramic



Sinus PA / Sinus lateral midsagittal



X-ray segment



Bitewing



TMJ lateral double

Cephalometric

High Resolution Cephalometric Technology

Exposure Programs

PAPAYA 3D PLUS supports various exposure programs to fulfill all diagnostic needs. Lateral, AP, PA, Water's view, Submento vertex, and carpus, are supported.



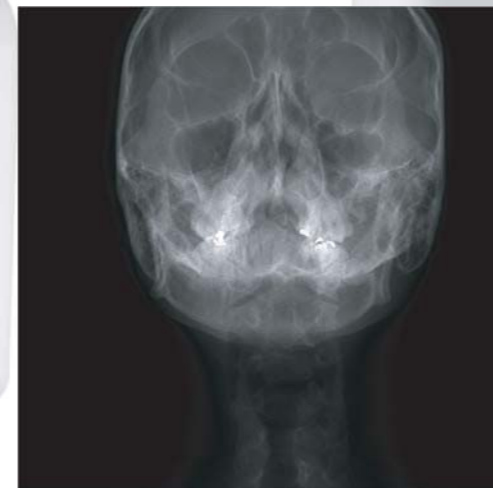
- The optimized mechanical structure is designed for symmetrical balance, enhanced safety and durability.
- To optimise result, the sensor automatically positions for each exposure mode
- Only 4 seconds for scanning a cephalo image in fast mode. This reduces motion artifacts.



Lateral



AP



Water's view



Submento vertex

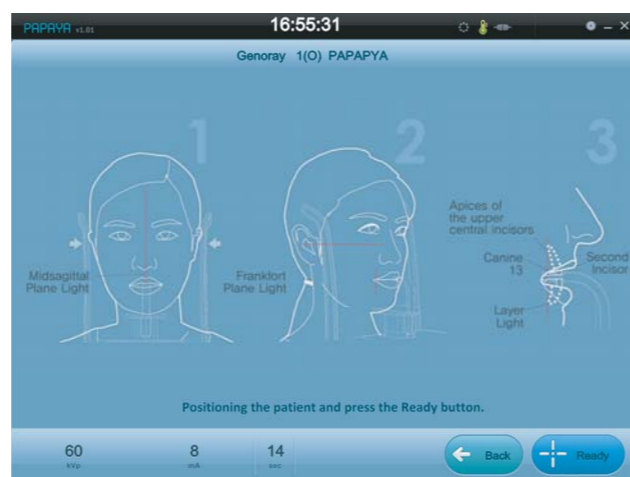


Carpus

PAPAYA 3D PLUS operation software



Panoramic exposure mode



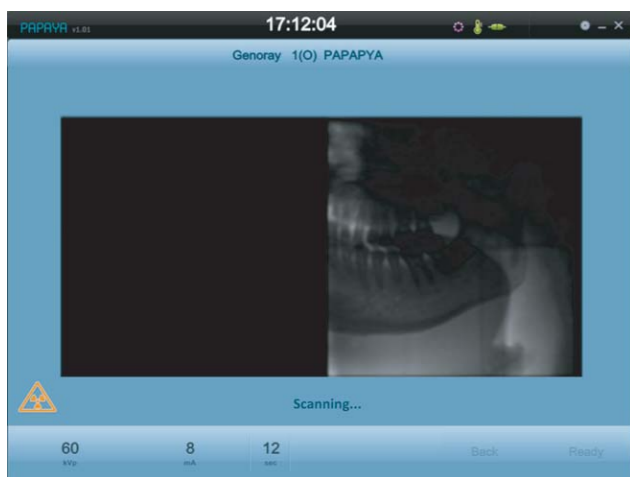
Patient positioning guide



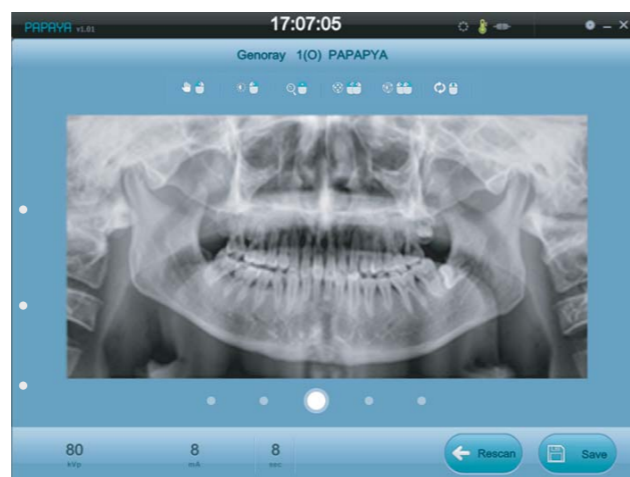
CT exposure position(Adult)



CT exposure position(Child)



Realtime preview

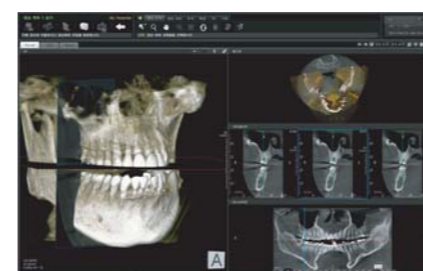


Exposed image display

TRIANA

Genoray's 3D reconstruction viewer

Clearly defined images in three dimensions provide users with accurate diagnostic information.



3D Volume Rendering

Various volume rendering options such as Gray, X-ray, MIP and etc provide 3D image visualization

MPR (Multi-Planar Formatting)

MPR mode provides three plain view (axial, coronal and sagittal) on one screen for focused area diagnosis.

Dental Reformatting

Using panoramic, cross-sectional, and longitudinal 2D view, you can plan your 'perfect' implant positioning

Curved MPR

Possible to reconstruct the sectional images which is via any curves from Panoramic, Cross-sectional, Longitudinal

Image Color-mapping

Color mapping increases the visibility of lesions

Measuring tools

Distance, Angle, Profile, and arrow provides easy to use measuring tools.

Implant planning

Multiple layout support and nerve implementation enables accurate implant planning.

Support for DICOM 3.0

CDSee

CDSee generates an external output on CD, DVD or USB storage of 3D volume data with free version of Triana.

