

The Lord's Lantern

A Publication of Fellowship Bible Church



Having a Christ mindset means we adopt Christ's point of view, comprehending His values and desires as a compelling mindset, not just a disciplined practice. It means to absorb God's thoughts irrespective of our limited perspective.

From Revelations from Heaven, A True Account of Death, the Afterlife, and 31 Supernatural Discoveries by Randy Kay and John Burke

No words can encompass the miracles of God.

From The Prayer Box by Lisa Wingate

Philippians 4:4-6 Message Translation

Don't fret or worry. Instead of worrying, pray. Let petitions and praises shape your worries into prayers, letting God know your concerns. Before you know it, a sense of God's wholeness, everything coming together for good, will come and settle you down. It's wonderful what happens when Christ displaces worry at the center of your life.

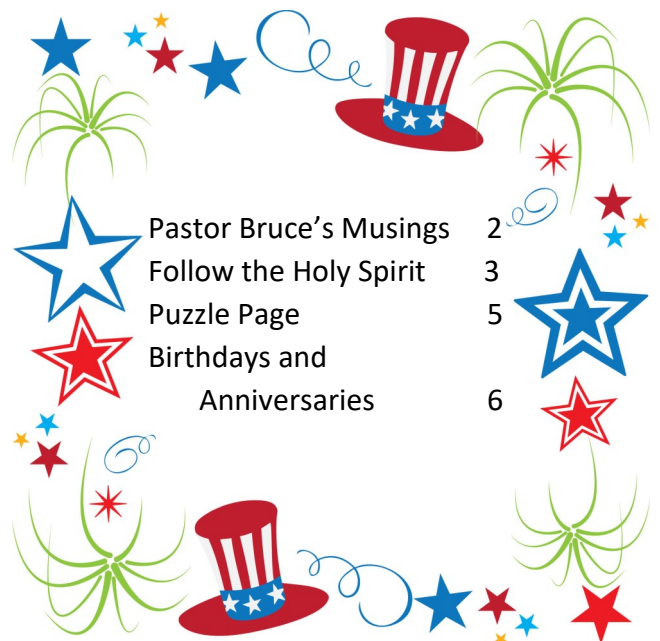
Due to people's schedules, we will not have a Ladies Luncheon in July.



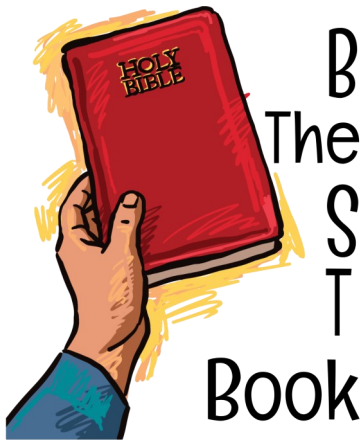
Picnic at the Church

July 10th at 6 pm

Please bring a dish to pass and join us for some good food and fellowship.



Pastor Bruce's Musings	2
Follow the Holy Spirit	3
Puzzle Page	5
Birthdays and Anniversaries	6



Just now I spent about 10 minutes looking over my bookshelf in the upstairs office of our home. There are probably over 150 books, between the normal-sized books, smaller ones, and paperback copies. I know that I have a similar number down at my church office. Have I read them all through? No; but I have gleaned much within their pages over the many years we have had them. Some were purchased with intention and were read quickly after their purchase; many have been given away, as I had no further need for them and wanted others to glean what they could use or needed to hear. Other books may have been obtained impulsively, and not used to it full potential. And, to be honest, I may have found more than a few at various garage sales (the price was right!). In Ecclesiastes 12:11-12, which was penned by the wise King named Solomon, there is a passage that has always intrigued me.

The words of the wise are like goads, and the words of scholars are like well-driven nails, given by one Shepherd. And further, my son, be admonished by these. Of making many books there is no end and much study is wearisome to the flesh.

If one would walk into any bookstore (they do still exist!) and look through the myriad

shelves of pamphlets, manuals, magazines, novels and the like, it is overwhelming! But there's even more available on devices like the Kindle tablets and similar devices. Now the books that we have are mainly Christian commentaries, novels, or books on various spiritual topics. We do receive magazines, though few in number, that may require our attention once they arrive, but these are timelier, and after a few weeks or months, their subject material may be outdated or not as applicable as they were when originally published. No doubt the reading of these many books and articles have shaped my thinking and paid for the investment of time put into their reading. Christians need to understand that they will be challenged in their beliefs, so we need to be spiritually equipped as the Apostle Peter encourages God's people in 1 Peter 3:15.

But sanctify the Lord God in your hearts, and always be ready to give a defense to everyone who asks you a reason for the hope that is in you, with meekness and fear;

Again, as the King wrote in the Old Testament passage, if we spend much of our time reading and studying, this can be quite exhausting, mentally and physically. It is good to read about what others may think about a particular topic, but ultimately there has to be a Divine source for truth; not opinion or conjecture, but a sort of "bottom line" to a particular meaning or topic. This is where the Word of the Lord comes into play. But learning it and knowing Scripture is only the start. It becomes personal and powerful when we deliberately set our minds and hearts to obey Him. This is what sanctification actually is: an intentional, deliberate decision to follow Christ as His disciple, much as the Apostles followed Christ.

We learn not only to gain knowledge, but also to become proficient in handling the word of God properly. This is achieved through prayer and the indwelling of the Spirit of God, our Divine Teacher.

The best book to delve into is, no doubt, the Bible. God has produced, preserved and propagated it through the centuries and millennia to feed His people spiritually. As He provided manna for the Israelites in the wilderness, the Lord has provided his people with the real manna from Heaven: His own Spirit-breathed Scriptures which point us to the Living Word: His only-begotten Son, Jesus - the Bread of Life.

Pastor Bruce



"Follow the Holy Spirit."

When you read the Bible, do you read it as if you are a Jew, or as a Gentile? I know that in Christ there is no longer a distinction, but what is your mindset? I was raised in the church, learning about Jesus, but I was steeped in the Law of Moses too; with the idea that what I did or didn't do would have an impact on whether I would go to heaven or to hell.

Jews were steeped in the Law of Moses and found Jesus' teachings difficult to believe, yet when they did accept that He is the Messiah they tried to force the Gentiles to follow the Jewish Law in addition to following Jesus' teachings. The Gentiles didn't have or know all the requirements of the

Law but they had all the pagan beliefs to turn from.

Romans 7:4 tells us that when we died with Christ, we died to the power of the Law. That is something to meditate on. Paul wrote that had he not known the Law, he would not have known sin to be in his life; that he would not have known that he was controlled by his flesh, his sinful nature. Romans 7:9-12 reads: *I was once alive without [knowledge of] the Law, but when the commandment came [and I understood its meaning], sin became alive and I died [since the Law sentenced me to death], And the very commandment which was intended to bring life, actually proved to bring death for me. For sin, seizing the opportunity through the commandment, beguiled and completely deceived me, and using it as a weapon killed me [separating me from God]. So then, the law is holy, and the commandment is holy and righteous and good.*

The Gentiles didn't have the Jewish laws to live by but they believed and followed other pagan beliefs. (And did you realize that there were pagan beliefs that had infiltrated the Jewish religion also?!!) The Gentiles believed in a multitude of different gods and many believed knowledge was the most important thing.

The disciples were up against the Jews clinging to their beliefs that obeying the Law would give them right standing with God, the Gentiles having to let go of their pagan beliefs, and then the people who tried to combine the Jewish laws with the life in Christ and the pagan religions that had infiltrated the Jewish religion. What a conundrum!

Paul wrote in earlier verses in Romans 7: *Therefore, my brothers and sisters, you also were put to death in relation to the law through the body of Christ so that you may belong to another. You belong to Him who was raised from the dead in*

order that we may bear fruit for God. For when we were in the flesh, the sinful passions aroused through the law were working in us to bear fruit for death. But now we have been released from the law, since we have died to what held us, so that we may serve in the newness of the Spirit and not in the old letter of the law.

Paul, by the leading of the Holy Spirit, penned these words, to try to get across to us the importance of following the leading of the Holy Spirit ourselves. He knew that he sometimes struggled with his flesh – following his own thoughts and not asking for God’s leading, so he shared his struggles with us to let us know the struggle was part of still being

human on the earth. I’ve always read Romans 7 with the understanding that the Law was so important, but God has opened my eyes to see that what Paul was really stressing is following the leading of the Holy Spirit in these verses. The Holy Spirit will never lead you to do something contrary to God’s Law, but He **may** lead you to do something that in your flesh, in your own way or mindset, doesn’t make a lot of sense. Maybe that’s why following the leading of the Holy Spirit was taught so strongly back then and why it is so important that it be taught today.

Kathy



Your Response Would Be?

At the June Ladies Luncheon Denise Porter shared the following story with us as part of our devotion about the gifts of the Holy Spirit manifesting themselves.

The illustration centers on a fictitious church dinner where an accident occurs – the cook drops the dessert on the floor! What happens next?

The *server* says, “Here, let me clean it up”

The *leader* says, ‘Jim, would you go get the mop? Sue, if you will help clean up, Mary and I will fix another dessert.”

The *giver* says, “I’ll go out and buy another dessert.”

The *merciful* says, “Don’t feel badly, it could have happened to anyone.”

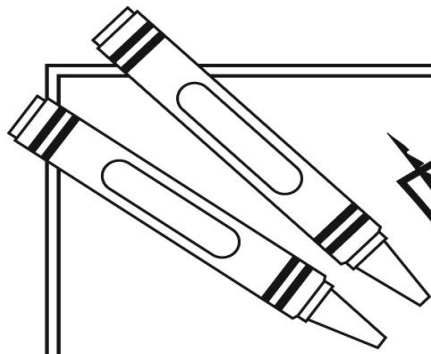
The *prophet* says, “That’s what happens when you’re not careful.”

The *teacher* says, “Clearly, the reason it fell is that it was unbalanced, the tray was too heavy on one side.”

The *exhorter* says, “To avoid this in the future, you should use both hands.”

Perhaps a good test of your own spiritual giftedness is to ask, “Which one of these responses would I have given?”

Excerpt from Life Management for Busy Women by Elizabeth George

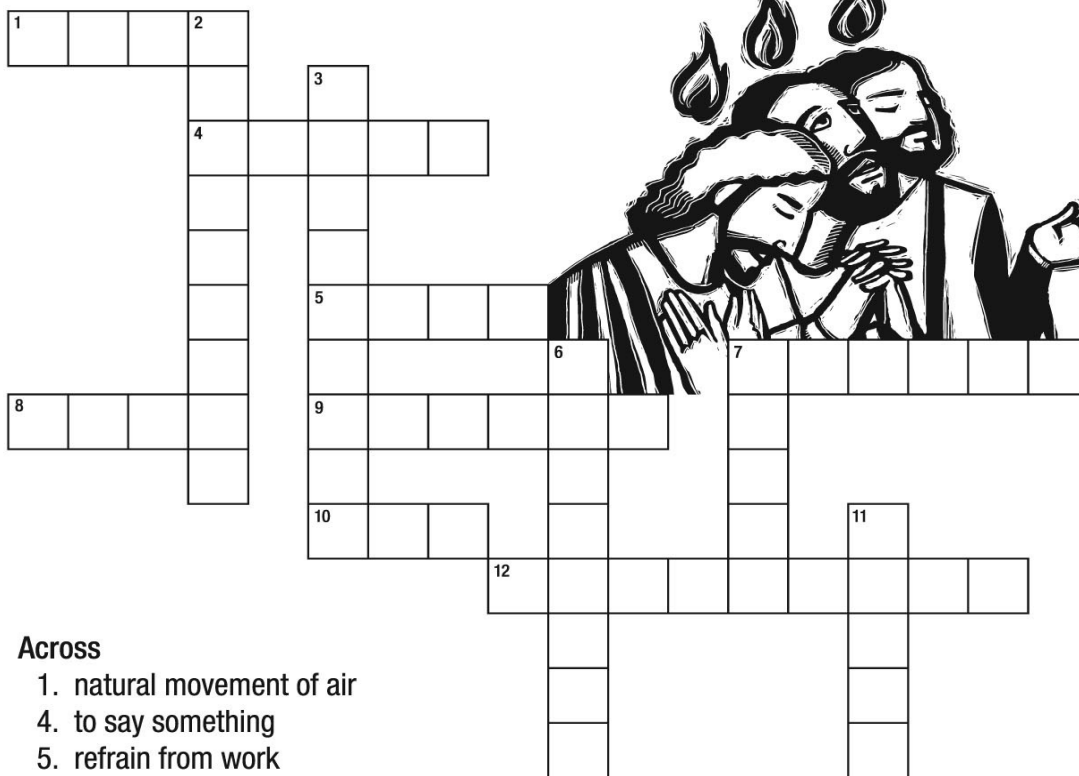


PUZZLE

The Spirit Comes

ACTS 2 TELLS ABOUT A SPECIAL DAY WHEN THE HOLY SPIRIT CAME TO THE DISCIPLES.

Use the clues below to complete the crossword puzzle.



Across

1. natural movement of air
4. to say something
5. refrain from work
7. place where God is
8. a combustion or burning that gives light, heat and smoke
9. part of mouth that can taste and lick
10. the time between sunrise and sunset
12. the day the Holy Spirit descended on the disciples

Down

2. followers of Christ
3. moved apart
6. quickly and unexpectedly
7. a building where people live
11. vibrations that travel through the air

Answers: Across 1. wind, 4. speak, 5. rest, 7. heaven, 8. fire, 9. tongue, 10. day, 12. Pentecost; Down 2. disciples, 3. separated, 6. suddenly, 7. house, 11. sound

Fellowship BIBLE CHURCH



For Your Fellowship In The Gospel...Phil. 1:5

Temperance, Michigan 48182

Bruce Rodgers, Pastor

(419) 320-7659

pianoman7@bex.net

Gathering Times

Sundays at 9 and 10

Wednesdays at 7



Bob and Paula Hoy	5th
Jim and Kathy Green	10th
George and Jan Hayes	12th
Kyden Hotchkiss	13th
Norb Karmol	19th
Sue Mynderse	19 th
Michael Green	29th

- I don't recommend entering a wormhole. You might get stuck in the apple.
- Why did the coffee taste like dirt? Because it was ground just a few minutes ago.
- What word can you make shorter by adding two letters? Short.

A Restful Faith

A seminary professor was discussing ways — besides reading — to encounter Scripture. “The idea was to ‘experience’ it as though we were there,” recalls Stan Purdum, then a student. The professor asked students to relax in lounge chairs, close their eyes and imagine they were along the Sea of Galilee as Jesus fed the 5,000. In a soothing voice, he invited participants to smell the lake, feel the breeze on their faces, taste the bread the disciples were distributing and hear Jesus’ voice.” Somewhere in that, I got too comfortable,” says Purdum. “Suddenly the exercise was over, and the professor was asking for feedback. The classmate next to me raised his hand and said, ‘I was really getting into it until Simon Peter here [pointing at me], started snoring in my ear.’” The class had a good chuckle, and Purdum gained a new perspective. “Spirituality isn’t just something to understand but also something to experience. If nothing else, that day I experienced my faith as very restful!”