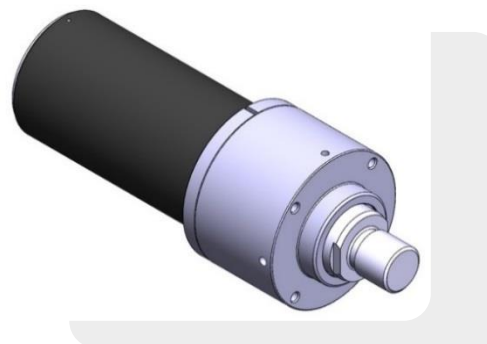




Force Multipliers FM

Main characteristics:

- Compact design
- Cylinder bore 100 mm
- 4 different types of stroke
- 2 nitried rods
- Costant force
- Shock absorber in closing phase
- Bronze guiding bushings



[PDF](#)



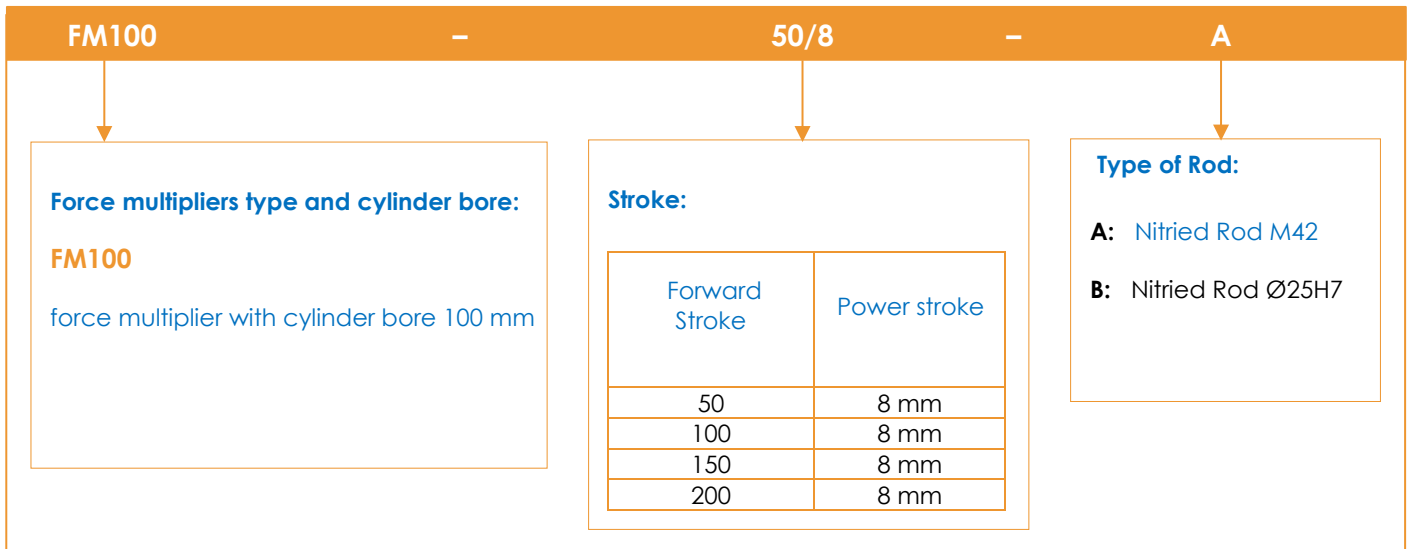
[3D Step](#)



[WEB](#)

Index.

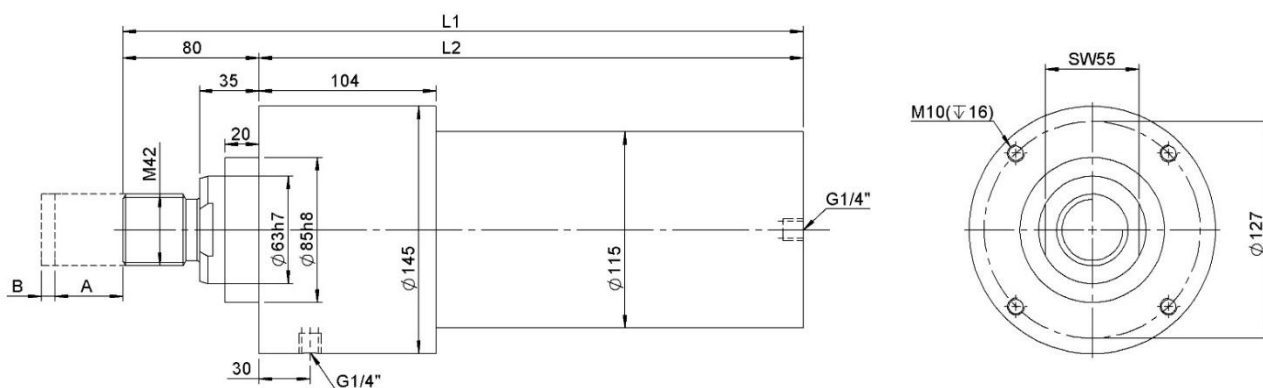
Page	Description	
1	Main characteristics	
2	Ordering Example	
3	Dimensional page	FM100-...A
4		FM100-...B
5	Pneumatic Control	
6	Spare parts	
6	Notes	

**Ordering Example.**



FM100-...A

Force multipliers, D.100, Power stroke 8 mm, Connection M42



#Tolerances: dowel holes: ± 0.02 | screw holes: ± 0.1

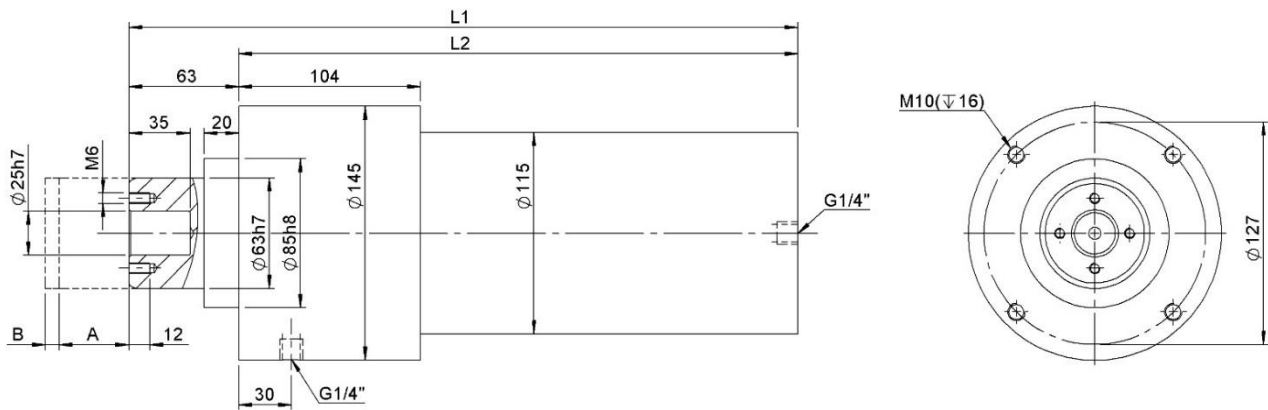
Type	Cylinder	Forward stroke A	Power stroke B	L1	L2	Weight
	[mm]	[mm]	[mm]	[mm]	[mm]	[Kg]
FM100-50/8-A	100	50	8	400	320	~ 20.5
FM100-100/8-A		100		450	370	~ 22.5
FM100-150/8-A		150		500	420	~ 24.5
FM100-200/8-A		200		550	470	~ 26.5

Working Pressure	Thrust force (6 bar)	Approaching stroke force (6bar)	Return stroke force (6 bar)
[bar]	[daN]	[daN]	[daN]
3 – 6	4500	460	270



FM100-...B

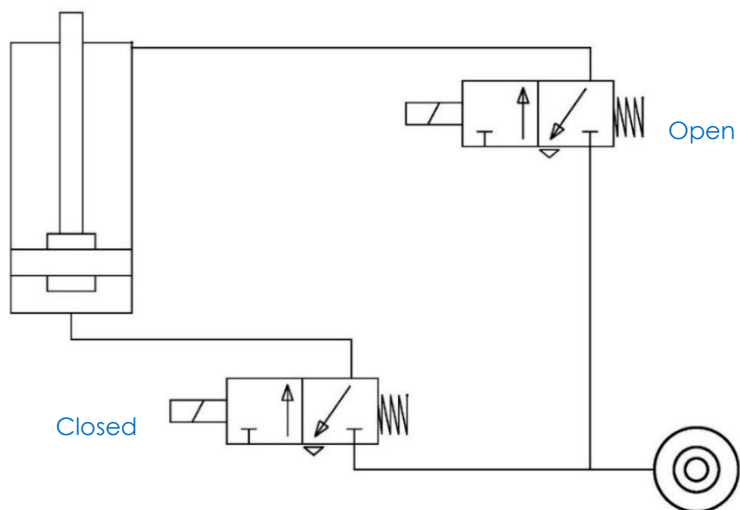
Force multipliers, D.100, Power stroke 8 mm, Connection Ø25h7



#Tolerances: dowel holes: ±0.02 | screw holes: ±0.1

Type	Cylinder	Forward Stroke A	Power Stroke B	L1	L2	Weight
	[mm]	[mm]	[mm]	[mm]	[mm]	[Kg]
FM100-50/8-B	100	50	8	400	320	~ 20.5
FM100-100/8-B		100		450	370	~ 22.5
FM100-150/8-B		150		500	420	~ 24.5
FM100-200/8-B		200		550	470	~ 26.5


Working Pressure	Thrust force (6 bar)	Approaching stroke force (6 bar)	Return stroke force (6 bar)
[bar]	[daN]	[daN]	[daN]
3 – 6	4500	460	270

**Schema pneumatico.****Pneumatic plant.**

Type	Air consumption (5 bar)
	[l]
FM100-50/8-A	~ 4,5
FM100-100/8-A	~ 9
FM100-150/8-A	~ 13
FM100-200/8-A	~ 17,5



Spare Parts.

# Kit	Picture	Description	Article
Seals kit		Seal components for pneumatic cylinder bore 100 mm	SCR-FM100

.....

.....

.....

.....

.....

.....

.....

.....

.....

.....

This catalogue cancels and replaces the previous ones. We reserve the right to make additions or changes without any notice. The products in the catalogue are standard; any inquiry of special applications is evaluated by technical/sales department. The complete documentation belongs to VEP Automation S.r.l. and without permission any kind of reproduction is forbidden.

VEP Automation Headquarters

VEP Automation S.r.l

Via San Felice, 37
10092 Beinasco – Torino (Italy)
Tel. +39 011 3972572
Email: info@vepautomation.it
Web: www.vepautomation.it

VEP Automation Germany

VEP Automation GmbH

Fritz Liebsch Str. 29
D 26723 Emden (Germany)
Tel. +49 04921 450758
Email: info@vepautomation.de
Web: www.vepautomation.de

VEP Automation MEXICO

VEP Automation S.A.

Av. Toluca 373 M Col. Olivar de los
Padres Del. Álvaro Obregón
01780 CDMX – (Ciudad de México)
Tel. +52 55 1718 0929
Email: info@vepautomation.mx
Web: www.vepautomation.mx

VEP Automation CANADA, USA North

Martech Sales & Associates Inc.

1111 Davis Dr., Unit 1 Newmarket, Ontario
Canada L3Y 9E5
Tel: 905 716-5856
Email: info@martechsales.com
Web: www.martechsales.com