



FPS SERVICES AUTOMATION



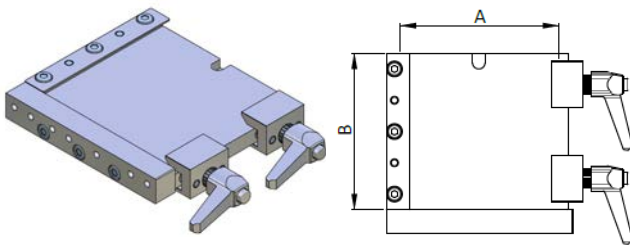
**22**  
PRODUCT  
OVERVIEW



## General index

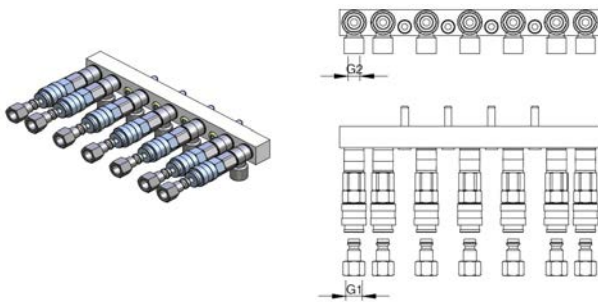
			<b>Page</b>
	<b>01</b>	Quick Changer systems	4-6
	<b>02</b>	Profiles & Accessories - Tube Line	7-9
	<b>03</b>	Profile Connectors	10-11
	<b>04</b>	Clamps	12-15
	<b>05</b>	Gripper arms for vacuum cups	16-23
	<b>08</b>	Vacuum cups & Adapters	24-29
	<b>09</b>	Sprue Grippers - Gripper Fingers - Parallel Grippers Needle Grippers	30-41 44-47
	<b>11</b>	Cylinders Airnippers & Accessories	42 46-49
	<b>12</b>	Pneumatic & Accessories	50-51 58
	<b>14</b>	Sensors & Accessories	52-57

### Quick changer (Robot side)



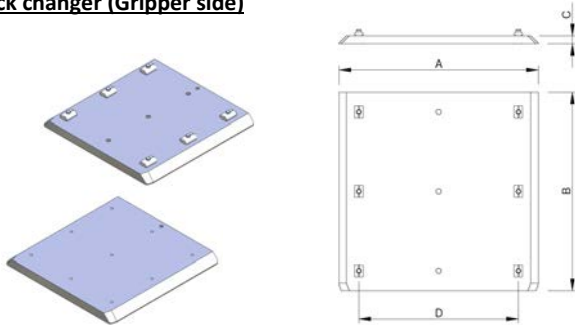
	A	B		
CA.SWM0	60	60		140 g
CA.SWM1	100	100	AL.	495 g
CA.SWM1S			STEEL	1136 g
CA.SWM2	160	160	AL.	1235 g
CA.SWM2S			STEEL	3118 g
CA.SWM3	250	250	AL.	3072 g
CA.SWM3S			STEEL	8180 g

### Pneumatic connection for quick changer



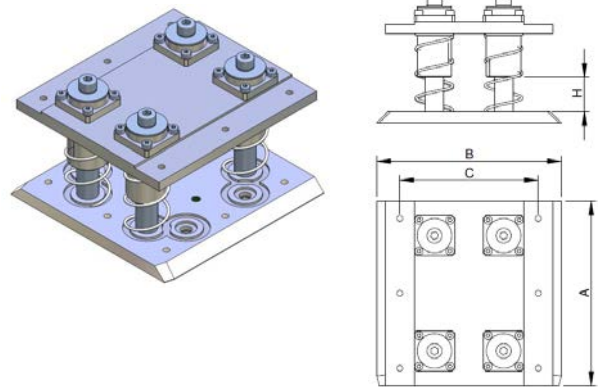
	G1	G2	L	M*	
CA.LAL.1.5	M5	M5	5	CA.SWM1	154 g
CA.LAL.1.7			7		225 g
CA.LAL.2.5	G 1/8	G 1/8	5	CA.SWM2	629 g
CA.LAL.2.7			7		854 g
CA.LAL.3.6	G 1/4	G 1/4	6	CA.SWM3	1162 g
CA.LAL.3.8			8		1503 g

### Quick changer (Gripper side)



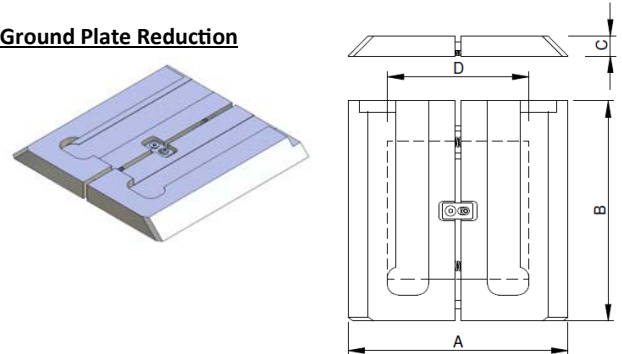
	A	B	C	D	M*		
CA.GPM0	60	60	8	...	...	69 g	
CA.GPM0.X				35	L	AL.	104 g
CA.GPM1	100	100		...	...	201 g	
CA.GPM1.X				70	L/X		241 g
CA.GPM1S	160	160	...	...	STEEL	582 g	
CA.GPM2			...	...	AL.	653 g	
CA.GPM2.X			120	L/X/JU		695 g	
CA.GPM2S			...	...	STEEL	1892 g	
CA.GPM3	250	250	10	...	...	1613 g	
CA.GPM3.X				200	L/X/JU	AL.	1677 g
CA.GPM3S				...	...	STEEL	4673 g

### Ground Plate Spring Loaded



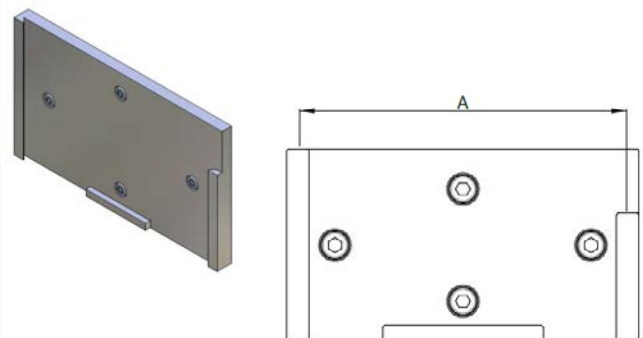
	A	B	C	H	F(N)	
CA.GPG.1	100	100	70	22	36	486 g
CA.GPG.2	160	160	120	30	50	1344 g
CA.GPG.3	250	250	200			3798 g

### Ground Plate Reduction



	A	B	C	D	M*	
CA.GPR1.0	100	100	15	60	CA.GPM0/CA.SWM1	263 g
CA.GPR2.1	160	160		100	CA.GPM1/CA.SWM2	703 g
CA.GPR3.2	250	250	20	160	CA.GPM2/CA.SWM3	2441 g

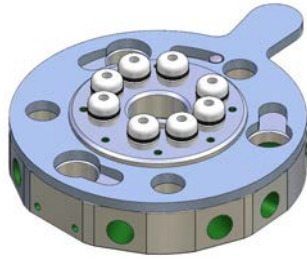
### Holding Fixture



	A	M*	
CA.GHV.60	60	CA.GPM0	128 g
CA.GHV.100	100	CA.GPM1	182 g
CA.GHV.160	160	CA.GPM2	412 g
CA.GHV.250	250	CA.GPM3	1033 g

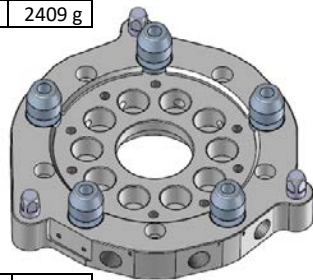
For any further information, please refer to drawings on [www.fps-eoat.it](http://www.fps-eoat.it) Drawings not to scale

**Quick changer**



Robot side

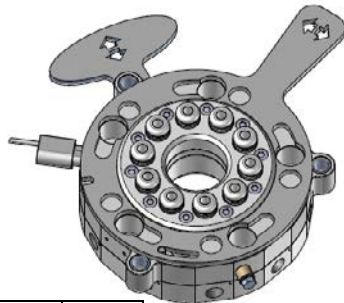
		Diameter	
CA.CUSL.50.R	RS/50	50	108 g
CA.01.01.001	RS/90	90	318 g
CA.01.01.003	RS/150	150	1158 g
CA.01.01.013	RS/160		1213 g
CA.CUSL.200.R	RS/200	200	2409 g



Gripper side

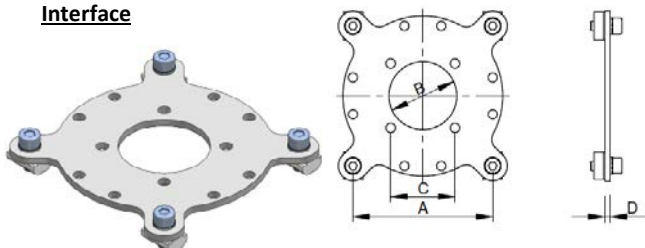
		Diameter	
CA.CUSL.50.G	GS/50	50	63 g
CA.01.01.002	GS/90	90	257 g
CA.01.01.004	GS/150	150	836 g
CA.CUDL.150.G	GS/150		699 g
CA.01.01.014	GS/160		919 g
CA.CUDL.160.G	GS/160		997 g
CA.CUSL.200.G	GS/200	200	1774 g

Robot side



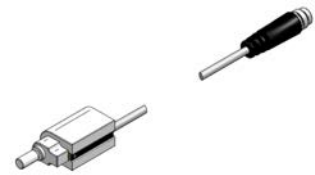
		Diameter	
CA.CUDL.90	RS/90	90	520 g
CA.CUDL.150	RS/150	150	2224 g
CA.CUDL.160	RS/160	150	2115 g

**Interface**



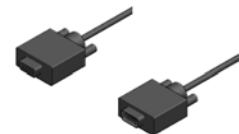
	A	B	C	D	M*	
CA.CUSL.50.I	25	32	15	3	CA.CUSL.50.G	63 g
CA.01.01.006	76	37	35	3	CA.01.01.002 CA.CUDL.90	170 g
CA.01.01.007	110	70	52	4	CA.01.01.004 CA.01.01.014	497 g
CA.CUSL.200.I	192	140	151.6	8	CA.CUSL.200.G	1439 g

**QC security lock with sensor**



		M*	
CA.CUDL.01	PNP	CA.CUDL.90 CA.CUDL.150 CA.CUDL.160	17 g
CA.CUDL.02	NPN		
CA.CUDL.03	2 WIRES		

**Cable**



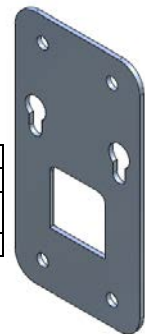
		M*	
CA.01.01.011	Female cable	Robot side	
CA.01.01.012	Male cable	Gripper side	

**Electrical connection module**

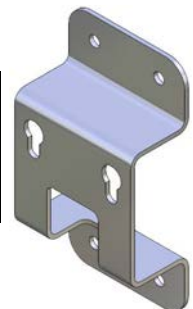
	M*
	Robot side
	Gripper side

**Holding Fixture**

	A	M*	
CA.01.01.015.F	90	CA.01.01.002	307 g
CA.01.01.016.F	150	CA.01.01.004 CA.01.01.014	720 g
CA.01.01.017.F	200	CA.CUSL.200G	1398 g

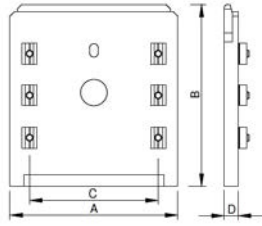
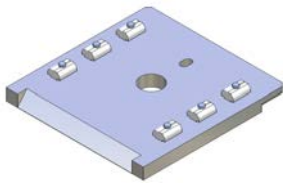


	A	M*	
CA.CUSL.50.H	50	CA.CUSL.50.G	125 g
CA.01.01.015	90	CA.01.01.002	440 g
CA.01.01.016	150	CA.01.01.004 CA.01.01.014	926 g
CA.01.01.017	200	CA.CUSL.200G	1178 g



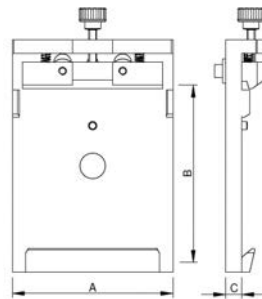
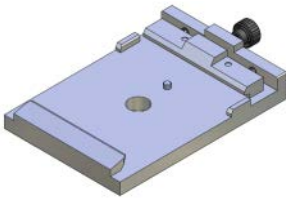
For any further information, please refer to drawings on [www.fps-eoat.it](http://www.fps-eoat.it) Drawings not to scale

### Quick changer (gripper side)



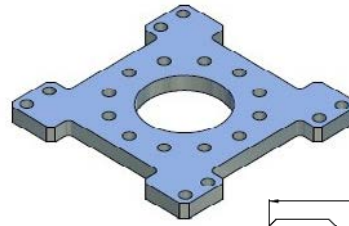
	A	B	C	D	M*	M1	
CA.01.02.002	60	72	20	10	CA.01.02.001	...	89 g
CA.01.02.002.X						L/X	125 g
CA.01.02.004	120	130	92		CA.01.02.003	...	377 g
CA.01.02.004.X						L/X/JU	432 g
CA.01.02.004A					...	371 g	
CA.01.02.004A.X					L/X/JU	426 g	
CA.01.02.008	90	108	62		CA.01.02.007	...	225 g
CA.01.02.008.X						L/X	262 g

### Quick changer (robot side)

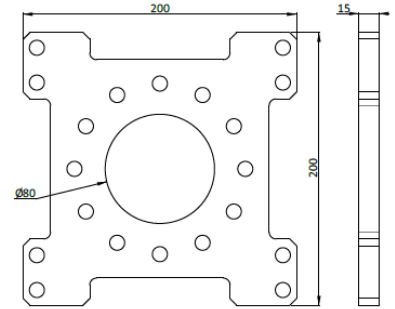


	A	B	C	H	M*	
CA.01.02.001	60	72	8	5 kg	CA.01.02.002	234 g
CA.01.02.003	120	130	12	20 kg	CA.01.02.004	814 g
CA.01.02.003B					CA.01.02.004A	
CA.01.02.007	90	108	8	10 kg	CA.01.02.008	391 g

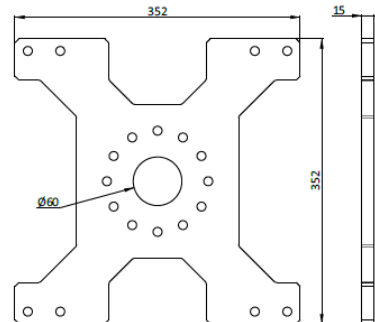
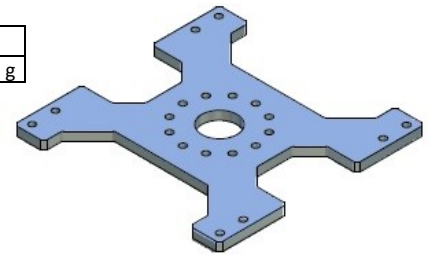
### ABR Universal adapter plate



CA.ABR.200	1007 g
------------	--------



CA.ABR.352	2742 g
------------	--------



For any further information, please refer to drawings on [www.fps-eoat.it](http://www.fps-eoat.it) Drawings not to scale

### Cable Tie Last Minute

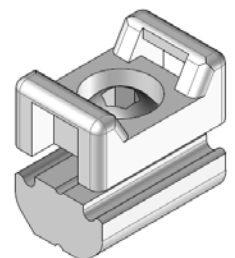


KIT.KBS (KIT 10 PCS)	20 g
----------------------	------

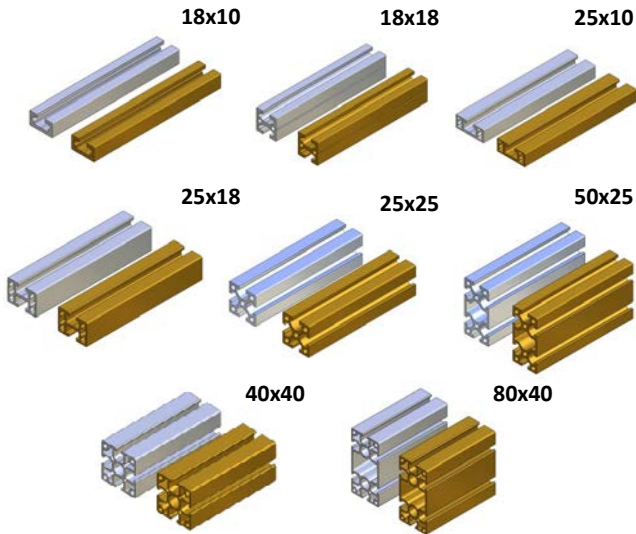
### Support for cable tie

**New**

KIT.PAN.01		16X11 mm	80 g
KIT.PAN.02	(KIT 10 PCS)	22X15 mm	90 g



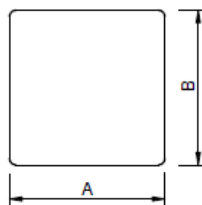
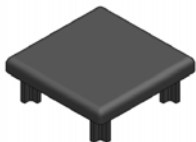
**Profiles**



	L	M*	M1	
CA.L.1810.1000/1000G	1 m	CA.GWP	CA.ADK.L.1810	267 g
CA.L.1810.2000/2000G	2 m		CA.ADK.L.1818	534 g
CA.L.1818.1000/1000G	1 m		CA.ADK.X.2510	410 g
CA.L.1818.2000/2000G	2 m		CA.ADK.X.2518	820 g
CA.X.2510.1000/1000G	1 m		CA.ADK.X.2518	302 g
CA.X.2510.2000/2000G	2 m		CA.ADK.X.2525	605 g
CA.X.2518.1000/1000G	1 m		CA.ADK.X.5025	456 g
CA.X.2518.2000/2000G	2 m		CA.ADK.X.5025	913 g
CA.X.2525.1000/1000G	1 m		CA.ADK.X.5025	683 g
CA.X.2525.2000/2000G	2 m		CA.ADK.X.5025	1365 g
CA.X.5025.1000/1000G	1 m		CA.ADK.X.5025	1150 g
CA.X.5025.2000/2000G	2 m		CA.ADK.X.5025	2311 g
CA.JU.4040.1000/1000G	1 m		CA.ADK.JU.4040	1407 g
CA.JU.4040.2000/2000G	2 m		CA.ADK.JU.4040	2814 g
CA.JU.8040.1000/1000G	1 m		CA.ADK.JU.8040	2302 g
CA.JU.8040.2000/2000G	2 m		CA.ADK.JU.8040	4603 g

Example: CA.L.1810.1000 = Silver Profile  
CA.L.1810.1000G = Gold Profile

**Profile end cap**



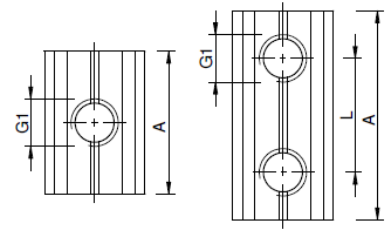
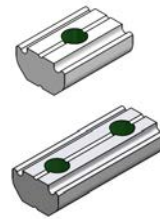
	A	B	M*	
CA.ADK.L.1810	18	10	CA.L.1810...	1 g x 10
CA.ADK.L.1818		18	CA.L.1818...	
CA.ADK.X.2510		10	CA.X.2510...	
CA.ADK.X.2518	25	18	CA.X.2518...	2 g x 10
CA.ADK.X.2525		25	CA.X.2525...	
CA.ADK.X.5025	50	25	CA.X.5025...	3 g x 10
CA.ADK.JU.4040	40	40	CA.JU.4040...	7 g x 10
CA.ADK.JU.8040	80	40	CA.JU.8040...	13 g x 10

**Butt connector**



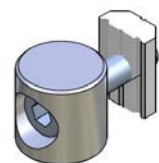
	M*	
CA.SV.X.5	M5	9 g
CA.SV.JU.6	M6	12 g

**T-nut**



	G1	L	A	M*	
CA.GWP.3U	M3	...	15	L/X/JU	6 g
CA.GWP.4U	M4	8	16		
CA.GWP.4LM		9	19		
CA.GWP.4.8		16	24		
CA.GWP.4.9		17	25		
CA.GWP.4.16	25	32	13 g		
CA.GWP.4.17	M5	...	15		6 g
CA.GWP.4.25		...	10		2 g
CA.GWP.5U		9	18		6 g
CA.GWP.5LM		10	18		6 g
CA.GWP.5.9		11	19		7 g
CA.GWP.5.10		12	22		8 g
CA.GWP.5.11		15	25		9 g
CA.GWP.5.12		17	25		11 g
CA.GWP.5.15		20	30		12 g
CA.GWP.5.17		22	32		12 g
CA.GWP.5.20	25	33	12 g		
CA.GWP.5.22	25 x 2	58	23 g		
CA.GWP.5.25	28	38	13 g		
CA.GWP.5.25.3	30	40	16 g		
CA.GWP.5.28	35	45	18 g		
CA.GWP.5.30	38	48	18 g		
CA.GWP.5.35	40	48	18 g		
CA.GWP.5.38	40 x 2	88	35 g		
CA.GWP.5.40	50	58	23 g		
CA.GWP.5.40.3	52	64	26 g		
CA.GWP.5.50	60	68	27 g		
CA.GWP.5.52	75	83	34 g		
CA.GWP.5.60	M6	...	10	2 g	
CA.GWP.5.75		...	15	4 g	
CA.GWP.6LM		12	24	8 g	
CA.GWP.6U		16	26	9 g	
CA.GWP.6.12		20	30	11 g	
CA.GWP.6.16		22	32	12 g	
CA.GWP.6.20		25	35	13 g	
CA.GWP.6.22		25 x 2	58	22 g	
CA.GWP.6.25		28	40	15 g	
CA.GWP.6.25.3		35	45	17 g	
CA.GWP.6.28	40	50	19 g		
CA.GWP.6.35	50	60	24 g		
CA.GWP.6.40	52	64	25 g		
CA.GWP.6.40	90	100	40 g		
CA.GWP.6.50	...	500	...	212 g	
CA.GWP.6.52	...	1000	...	423 g	

**Butt connector**

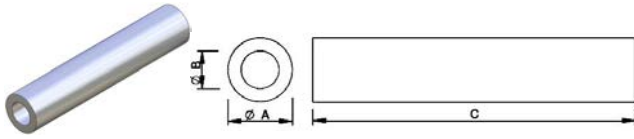


	M*	
CA.UVV.X.25.S	X	6 g
CA.UVV.JU.40.S	JU	6 g

For any further information, please refer to drawings on [www.fps-eoat.it](http://www.fps-eoat.it) Drawings not to scale

## Round profile tube

## TUBE LINE



	A	B	C	
CA.GAR.10.1000	10	5	1000	160 g
CA.GAR.14.1000	14	7		313 g
CA.GAR.20.1000	20	12		545 g
CA.GAR.30.1000	30	26		477 g

	A	B	C	
CA.PAT.25X3.2000	25	22	2000	1124 g
CA.PAT.25X5.2000	25	20		1790 g
CA.PAT.40X3.2000	40	37		2286 g
CA.PAT.40X6.2000	40	34		3652 g

	A	B	C	
CA.02.02.001	12	10	1000	275 g
CA.02.02.002	16	14		376 g
CA.02.02.003	20	17		695 g

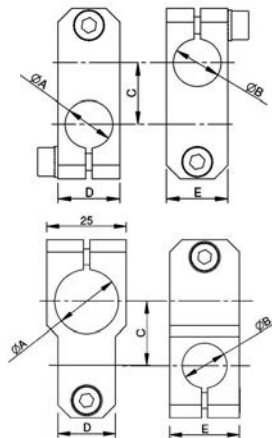
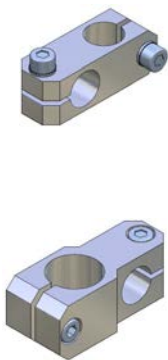
## Profile end cap



	M*	
CA.KAB.25X5	CA.PAT.25X5.2000	3 g
CA.KAB.40X3	CA.PAT.40X3.2000	11 g
CA.KAB.40X6	CA.PAT.40X6.2000	9 g

	M*	
CA.02.04.001	CA.02.02.001	1 g
CA.02.04.002	CA.02.02.002	2 g
CA.02.04.003	CA.02.02.003	2 g

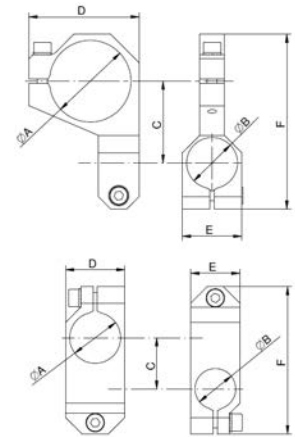
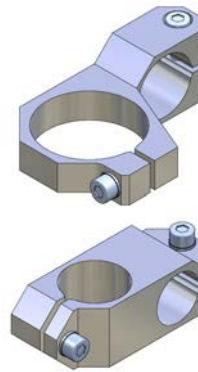
## Cross Connector Tube



	A	B	C	D	E	
CA.KKS.10.10	10	10	16	14	14	16 g
CA.KKS.14.14	14	14	18	18	18	35 g
CA.KKS.20.20	20	20	26	25	25	70 g
CA.KKS.20.10	20	10	20	14	20	40 g
CA.KKS.20.14	20	14	20	18	22	48 g
CA.KKS.30.30	30	30	35	40	40	253 g

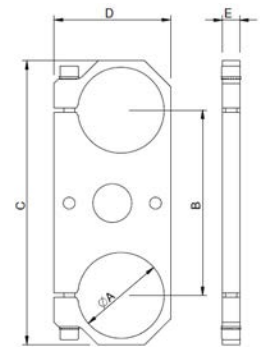
	A	B	C	D	E	
CA.03.03.001	16	16	18	25	25	30 g
CA.03.03.002	12	16	20	25	25	35 g
CA.03.03.003	12	12	15	20	20	38 g
CA.03.03.004	16	20	22	30	30	50 g

## Cross Connector Tube

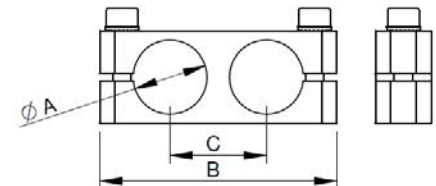
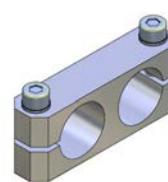


	A	B	C	D	E	
CA.KKS.L.2020	20	20	25	24	24	53 g
CA.KKS.L.2025		25			29	67 g
CA.KKS.L.2525	25	25	30	29	29	87 g
CA.KKS.L.4020	40	20	40	54	24	57 g
CA.KKS.L.4025		25			29	60 g
CA.KKS.L.4040		40			50	44

## Parallel Clamp

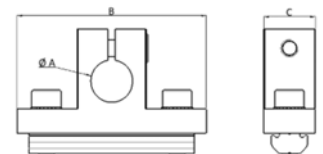


	A	B	C	D	E	
CA.PKS.L.4040.76	40	76	122	54	8	82 g
CA.PKS.L.4040.86	40	86	132	54	8	93 g



	A	B	C	
CA.PKS.1010.15	10	38	15	11 g
CA.PKS.1414.20	14	52	20	27 g
CA.PKS.2020.26	20	64	26	46 g
CA.PKS.2020.41	20	79	41	60 g
CA.PKS.3030.38	30	88	38	103 g

## Omega connector

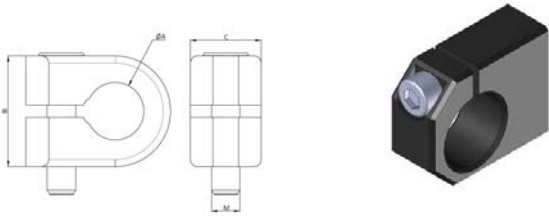


	A	B	C	
CA.03.07.001.X	12	55	15	35 g
CA.03.07.002.X	16	55	15	50 g
CA.03.07.003.X	20	68	25	63 g

For any further information, please refer to drawings on [www.fps-eoat.it](http://www.fps-eoat.it) Drawings not to scale

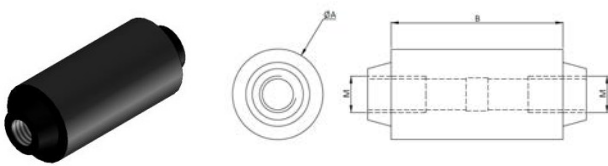


**Connector round for tubes**



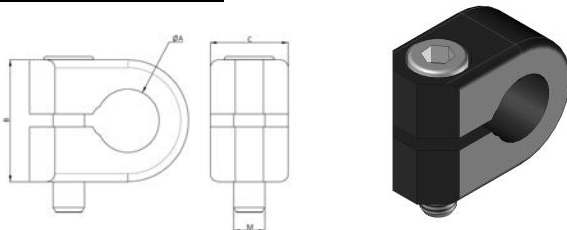
	A	B	C	M	
CA.ARA.20	20	40	32	M6	40 g
CA.ARA.25	25	50	20	M8	101 g
CA.ARA.40	40	70	30	M10	294 g

**Clamping joint**



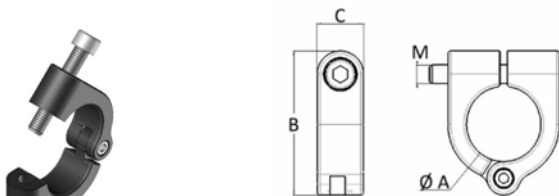
	A	B	M	
CA.R.VLB.27	25	40	M10	37 g
CA.R.VLB.47	25	60	M10	59 g

**Tubes round connector**



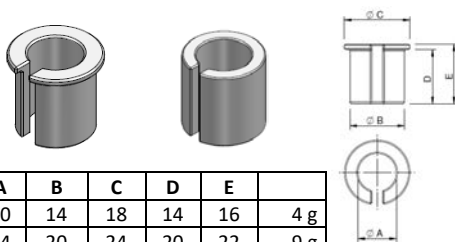
	A	B	C	M	
CA.HAR.20	20	39	25	M10	113 g
CA.HAR.25	25	40	25	M10	105 g
CA.HAR.40	40	55	25	M10	159 g

**Tubes round connector Last**



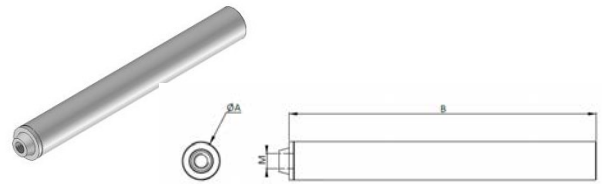
	A	B	C	M	
CA.HAR.20.LM	20	65	25	M10	48 g
CA.HAR.25.LM	25	65	25	M10	48 g
CA.HAR.40.LM	40	77	25	M10	193 g

**Reducer**



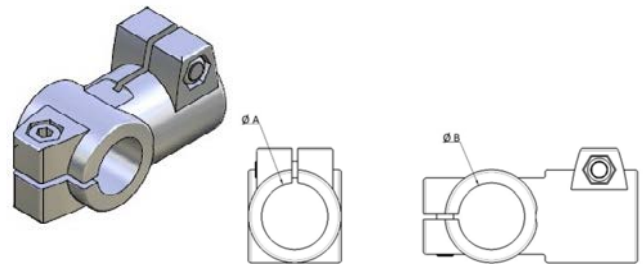
	A	B	C	D	E	
CA.RID.1410	10	14	18	14	16	4 g
CA.RID.2014	14	20	24	20	22	9 g
CA.RID.3020	20	30	30	30	30	30 g

**Extension tube**



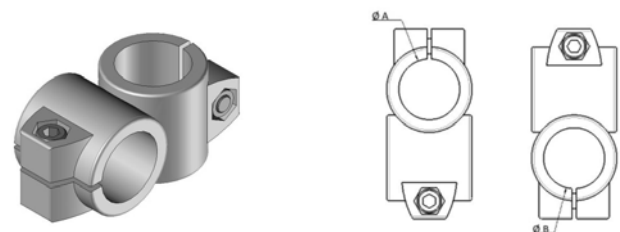
	A	B	M	
CA.R.VLR.200	25	200	M10	18 g
CA.R.VLR.400	25	400	M10	357 g

**T connector**



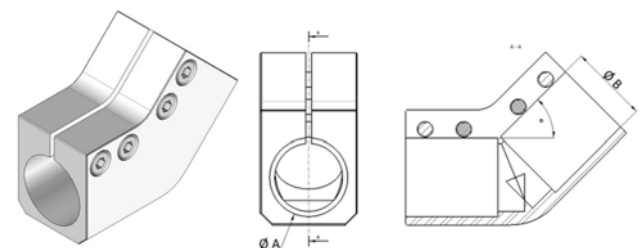
	A	B		
CA.ATK.20.20	20	20		218 g
CA.ATK.25.25	25	25		217 g
CA.ATK.40.40	40	40		476 g

**Cross connector**



	A	B		
CA.KKRO.25.25	25	25		192 g
CA.KKRO.40.40	40	40		417 g
CA.KK.25.14	25	14		155 g
CA.KK.40.20	40	20		640 g
CA.KK.40.25	40	25		601 g

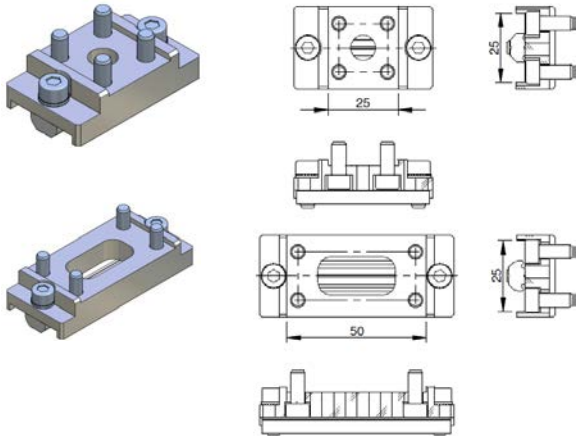
**45° Connector**



	A	B	°	
CA.AWK.25.45	25	25	45°	195 g
CA.AWK.40.45	40	40	45°	538 g

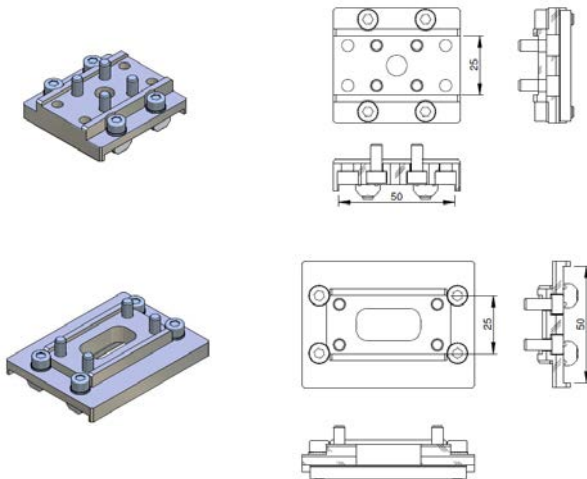
For any further information, please refer to drawings on [www.fps-eoat.it](http://www.fps-eoat.it) Drawings not to scale

### Profile End Connector 25



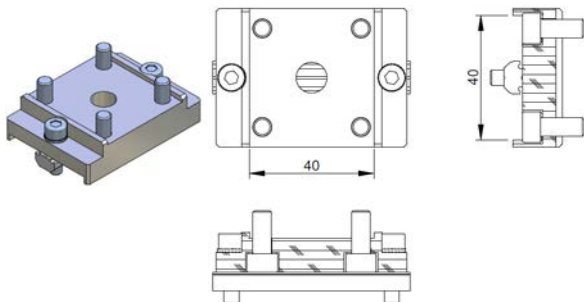
	M*	
CA.SVB.X.25.25	X	67 g
CA.SVB.X.25.50		88 g

### Profile End Connector 50



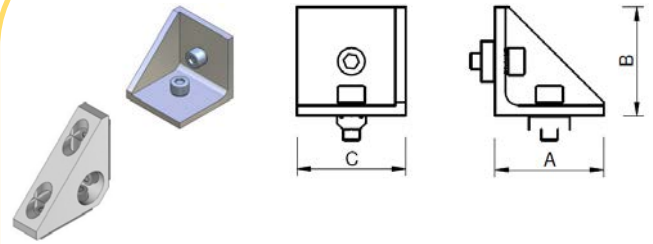
	M*	
CA.SVB.X.50.25	X	114 g
CA.SVB.X.50.50		149 g

### Profile End Connector 40



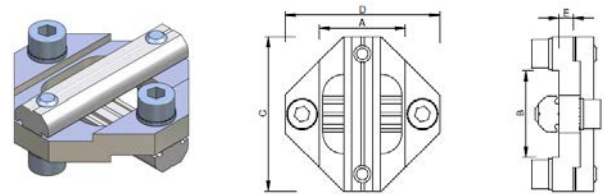
	M*	
CA.SVB.JU.40.40	JU	129 g

### Corner Connector



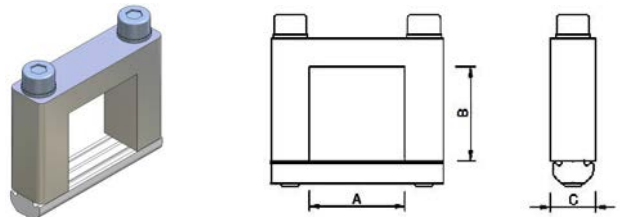
	A	B	C	M*	
CA.WIV.X.25.0	25	25	16	X	28 g
CA.WIV.X.50.25	51	51			80 g
CA.WIV.X.25.M	18	18			21 g
CA.WIV.X.25.E	38	38	18	JU	37 g
CA.WIV.JU.40	40	40			60 g
CA.WIV.JU.40.E	38	38			68 g
CA.WIV.JU.80.E	78	78	37		184 g

### Cross Joint Connector



	A	B	C	D	E	M*	
CA.KPLL.1818	18	18	38	38	2	L	55 g
CA.KPLX.2518	25		45	70		4	L/X
CA.KPLX.2525	50	25	70		X		76 g
CA.KPLX.5025		50	70	70	X	192 g	
CA.KPLX.5050	40	40	65	65	4	JU	81 g
CA.KPLJU.4040		25	45	60		JU/X	77 g
CA.KPLJU.4025	80	40	100	100	4	JU	156 g
CA.KPLJU.8040		80	100	100		JU	268 g

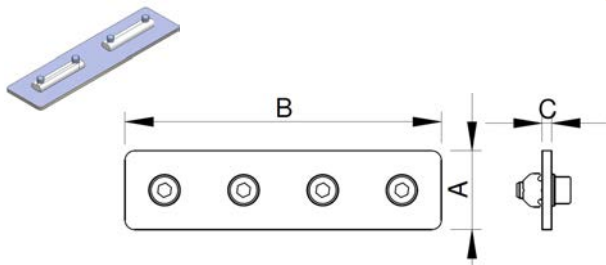
### Square Joint Connector



	A	B	C	M*	
CA.KBVL.1810	18	10	10	L	13 g
CA.KBVL.1818		18			22 g
CA.KBVX.2510	25	10	12	X	42 g
CA.KBVX.2518		18			48 g
CA.KBVX.2525		25			40 g
CA.KBVX.2550		50			54 g
CA.KBVX.5025	50	25	15	JU	57 g
CA.KBVJU.4040	40	40			72 g
CA.KBVJU.4080	40	80			96 g
CA.KBVJU.8040	80	40			107 g

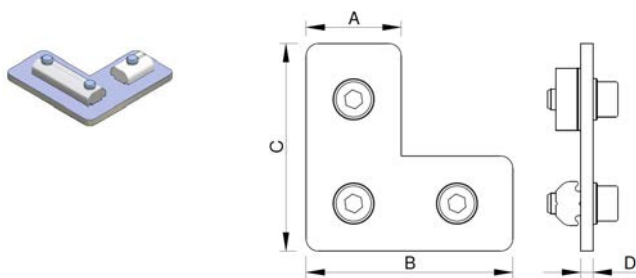
For any further information, please refer to drawings on [www.fps-eoat.it](http://www.fps-eoat.it) Drawings not to scale

**Straight Connector**



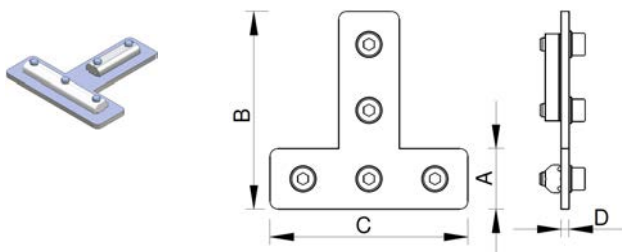
	A	B	C	M*	
CA.VBG.X.25.50	25	50	3	X	47 g
CA.VBG.X.50.50	50				94 g
CA.VBG.X.25.100	25	100		99 g	
CA.VBG.JU.40.80	40	80		97 g	
CA.VBG.JU.40.160		160	215 g		

**Connector L-Style**



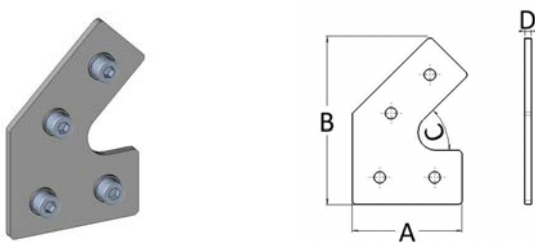
	A	B	C	D	M*	
CA.VBL.50.50	25	50	50	3	X	71 g
CA.VBL.50.75			75			96 g
CA.VBL.80.80JU	40	80	80		JU	147 g
CA.VBL.80.120JU			120			200 g

**Connector T-Style**



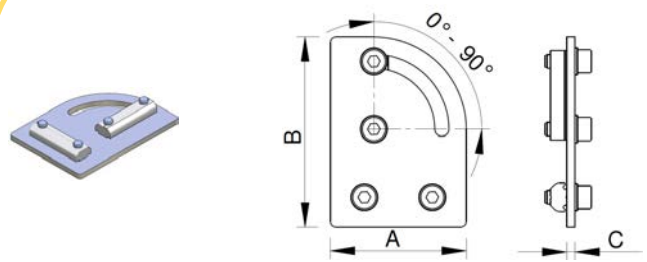
	A	B	C	D	M*	
CA.VBT.X.50.75	25	75	75	3	X	123 g
CA.VBT.X.75.100			100			149 g
CA.VBT.JU.120	40	120	80		JU	264 g

**Connector 45°-Style**



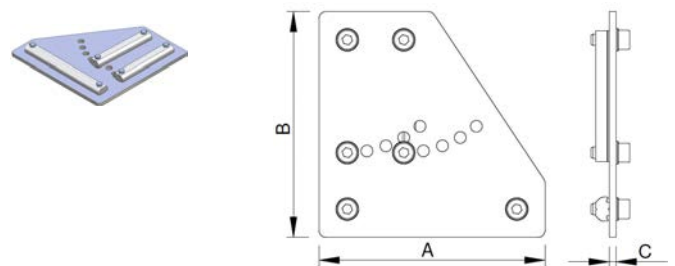
	A	B	C	D	M*	
CA.VBW.X.45	50	77	45°	3	X	104 g
CA.VBW.JU.45	130	147				JU

**Adjustable Connector 0-90°**



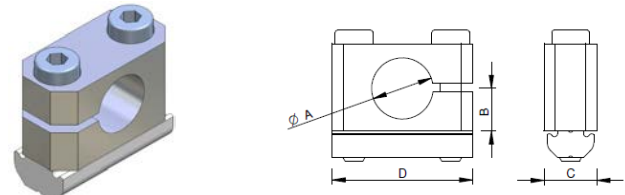
	A	B	C	M*	
CA.VBW.X.0.90	50	70	3	X	113 g
CA.VBW.JU.0.90	80	120		JU	256 g

**Corner Joint Plate**



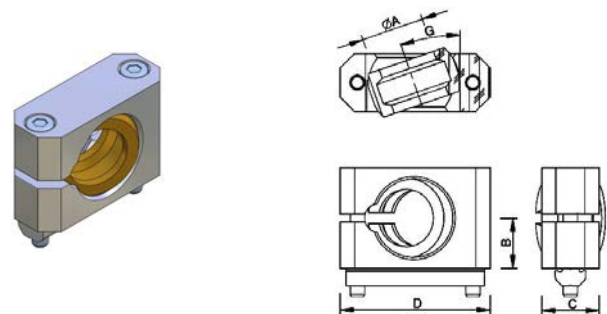
	A	B	C	M*	
CA.EVB.75.X	75	100	3	X	193 g
CA.EVB.100.X	100				292 g
CA.EVB.100.JU	80			JU	212 g

**Cross Connector Round**



	A	B	C	D	M*	
CA.KVB.L10	10	8	12	15	L	22 g
CA.KVB.X14	14	10		32	X	36 g
CA.KVB.X20	20	13	20	40	JU	47 g
CA.KVB.JU20				48 g		
CA.KVB.JU30	30	18	52	JU	97 g	

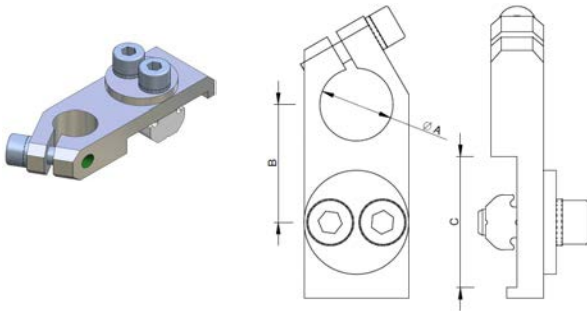
**Cross Connector Round With Ball Joint**



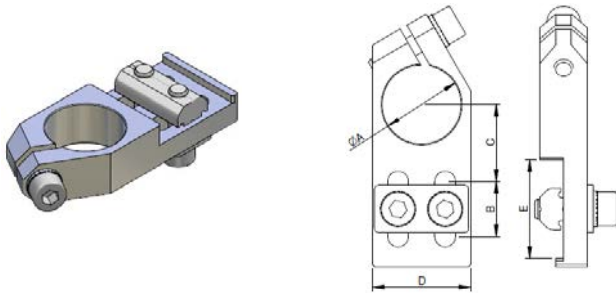
	A	B	C	D	G°	M*	
CA.KVB.KG.X10	10	10	12	32	0°-13°	X	42 g
CA.KVB.KG.X14	14	12,5	15	40	0°-17°		62 g
CA.KVB.KG.JU20	20	17,5	20	52	0°-19°	JU	124 g

For any further information, please refer to drawings on [www.fps-eoat.it](http://www.fps-eoat.it) Drawings not to scale

### Adjustable Clamp

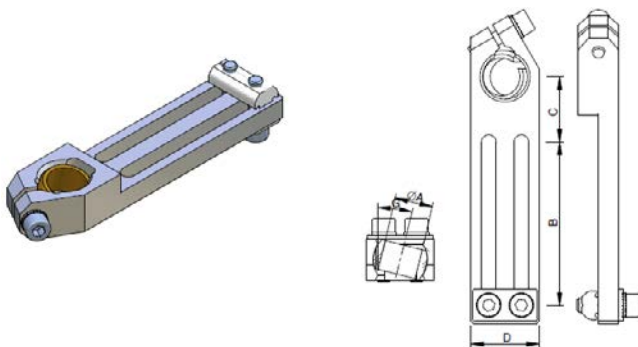


	A	B	C	M*	
CA.WST.10.L	10	17	18	L	20 g
CA.WST.10.X		21	25	X	
CA.WST.14.L	14	19	18	L	31 g
CA.WST.14.X			23		
CA.WST.20.X	20	27	25	X	42 g
CA.WST.20.JU				34	JU
CA.WST.30.X	30	30	40	X	95 g
CA.WST.30.JU				38	JU



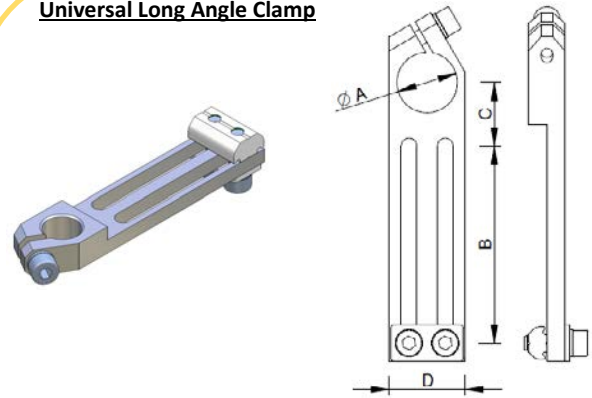
	A	B	C	D	E	M*	
CA.WST.1010.L	10	10	12	16	18	L	14 g
CA.WST.1014.X			13.55				
CA.WST.1414.X	14	14	15.55	20	25	X	28 g
CA.WST.2014.X			19.55				
CA.WST.2022.JU	20	22	23	25	40	JU	43 g

### Long Angle Clamp With Ball joint



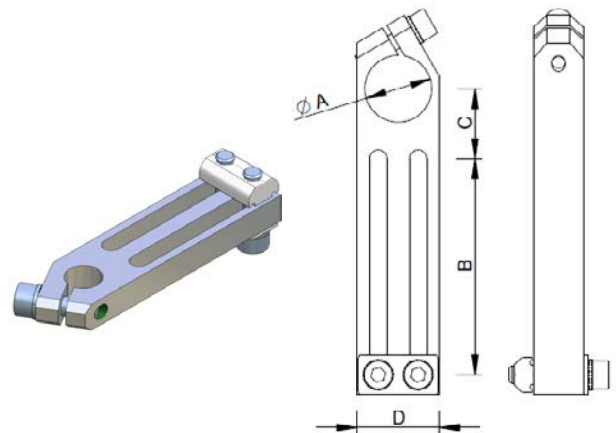
	A	B	C	D	G°	M*	
CA.WSL.1050.G.X	10	50	20	20	0°-13°	X	51 g
CA.WSL.1460.G.X	14		24	25	0°-17°		78 g
CA.WSL.2060.G.X	20		29	35	0°-19°		X/JU

### Universal Long Angle Clamp



	A	B	C	D	M*	
CA.WSL.1040.U.L	10	40	17,5	16	L	23 g
CA.WSL.1040.U.X					X	
CA.WSL.1440.U.L	14	50	19	20	L	32 g
CA.WSL.1440.U.X					X	33 g
CA.WSL.1450.U.X						39 g
CA.WSL.2060.U.X	20	70	21	25	X/JU	58 g
CA.WSL.2070.U.X					JU	76 g
CA.WSL.2070.U.JU						78 g
CA.WSL.3070.U.JU	30		30	35		136 g

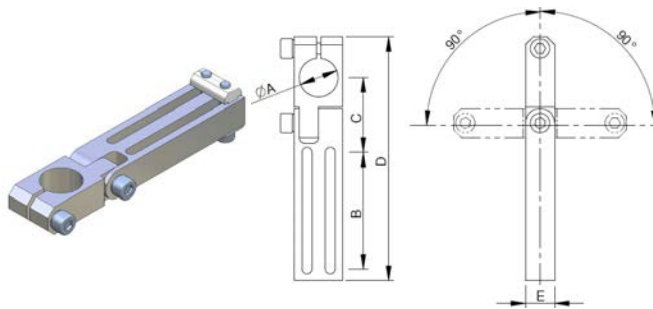
### Long Angle Clamp Heavy Duty



	A	B	C	D	M*	
CA.WSL.1040.VU.X	10	40	15	20	L	41 g
CA.WSL.1060.VU.X		60	16		L/X	48 g
CA.WSL.1080.VU.X		80				53 g
CA.WSL.1440.VU.X	14	40	19	25	X	43 g
CA.WSL.1450.VU.X		50	22			59 g
CA.WSL.2060.VU.X	20	65	21	25	X/JU	94 g
CA.WSL.2070.VU.X		70	25,5		JU	106 g
CA.WSL.2080.VU.X		80				111 g
CA.WSL.2570.VU.X	25	70	21	30	JU	120 g
CA.WSL.3060.VU.J	30	60	30	30		188 g
CA.WSL.3070.VU.J		70				200 g

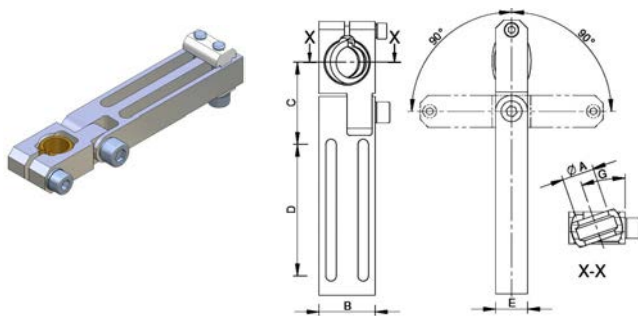
For any further information, please refer to drawings on [www.fps-eoat.it](http://www.fps-eoat.it) Drawings not to scale

**Long Angle Clam (Swivel Head)**



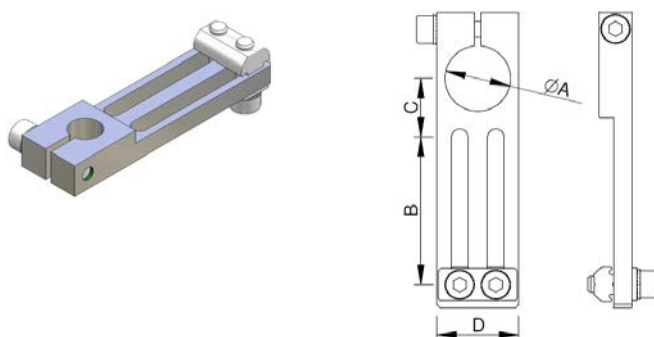
	A	B	C	D	E	M*	
CA.WSL.GA.10.X	10	40	26,6	85	10	L/X	57 g
CA.WSL.GA.14.X	14		27,8	88		X	
CA.WSL.GA.16.X	16	60	36,5	121	15	X	119 g
CA.WSL.GA.20.X	20	60	38,5	125	15	X/JU	122 g
CA.WSL.GA.30.X	30	82	53	168	20	JU	266 g

**Long Angle Clam Swivel Head and Ball Joint**



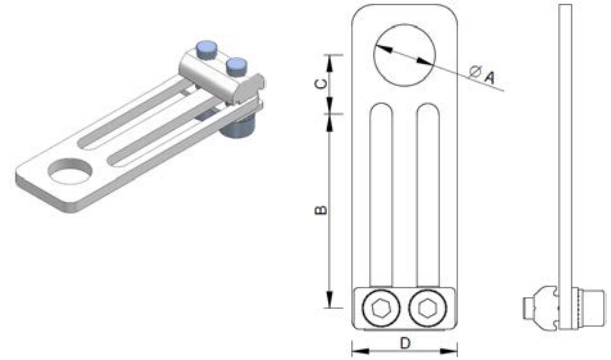
	A	B	C	D	E	G°	M*	
CA.WSL.KG.X.10	10	20	32,5	50	12	0°-13°	X	59 g
CA.WSL.KG.X.14	14	25	39,5	60	15	0°-17°		109 g
CA.WSL.KG.JU.20	20	35	51,5	82	20	0°-19°	X/JU	266 g

**Long Angle Clamp**



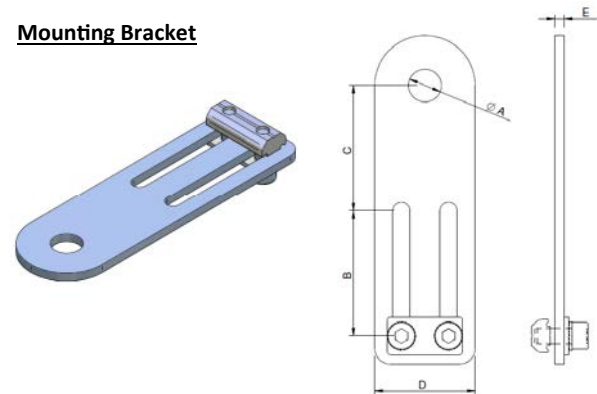
	A	B	C	D	M*	
CA.04.02.10.X	10	40	15,5	20	X	41 g
CA.04.02.12.X	12	40	15,5	20	X	39 g
CA.04.02.14.X	14	45	16,5	25	X	53 g
CA.04.02.16.X	16	45	16,5	25	x	51 g
CA.04.02.20.X	20	45	18	25	X/JU	50 g
CA.04.02.20.L.X	20	75	18	25	X/JU	56 g
CA.04.02.30.X	30	70	34	35	JU	128 g

For any further information, please refer to drawings on [www.fps-eoat.it](http://www.fps-eoat.it) Drawings not to scale



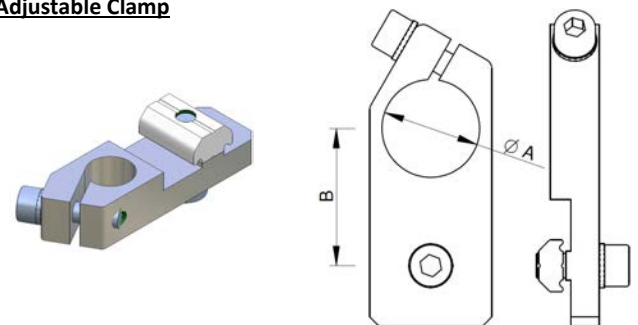
	A	B	C	D	M*	
CA.04.20.10.X	10	40	11	20	X	35 g
CA.04.20.12.X	12					
CA.04.20.14.X	14	46	14	25		
CA.04.20.20.X	20	51,5	19	30	X/JU	65 g

**Mounting Bracket**



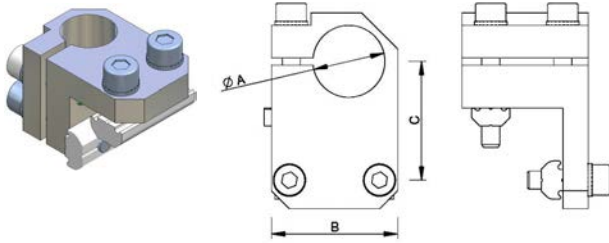
	A	B	C	D	E	M*	
CA.SCM.10.X	10,5	40	40	32	3	X	74 g
CA.SCM.12.X	12,5						73 g
CA.SCM.14.X	14,5					X/JU	72 g
CA.SCM.20.X	20,5						69 g

**Adjustable Clamp**



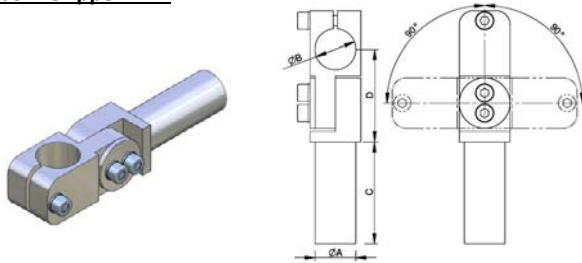
	A	B	M*	
CA.WST.10	10	21	X	23 g
CA.WST.14	14	24		25 g
CA.WST.20	20	28		36 g

### Clamp angle

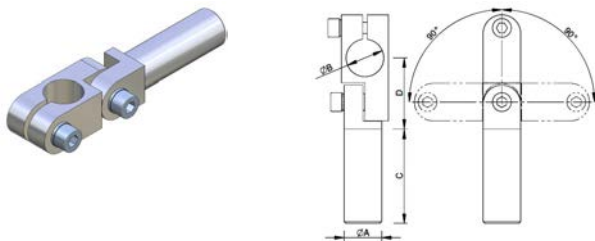


	A	B	C	M*	
CA.KSW.10.L	10	20	16	L	27 g
CA.KSW.10.X		25	19,5	X	57 g
CA.KSW.14.X	14		21,5		
CA.KSW.20.X	20	32	24,5		80 g
CA.KSW.20.JU		35	33		105 g
CA.KSW.30.JU	30	45	39	JU	178 g

### Elbow Gripper Arm

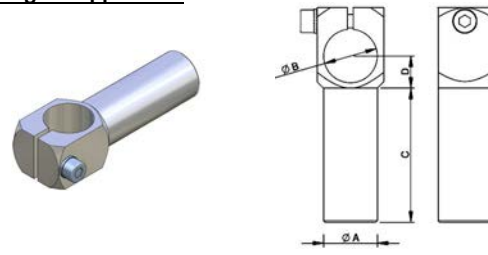


	A	B	C	D	
CA.GVR.1010.30	10	10	30	30	27 g
CA.GVR.1010.60			60		31 g
CA.GVR.1010.90			90		37 g
CA.GVR.1414.40	14	14	40	36	56 g
CA.GVR.1414.80			80		66 g
CA.GVR.1414.120			120		83 g
CA.GVR.2020.50	20	20	50	45,5	111 g
CA.GVR.2020.100			100		127 g
CA.GVR.2020.150			150		169 g
CA.GVR.3030.80	30	30	80	60	302 g
CA.GVR.3030.140			140		394 g
CA.GVR.3030.200			200		509 g



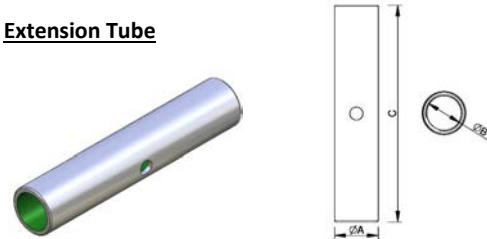
	A	B	C	D	
CA.GLA.1010.30	10	10	30	22	17 g
CA.GLA.1010.60			60		21 g
CA.GLA.1010.90			90		28 g
CA.GLA.1414.40	14	14	40	30	43 g
CA.GLA.1414.80			80		51 g
CA.GLA.1414.120			120		70 g
CA.GLA.2020.50	20	20	50	38	99 g
CA.GLA.2020.100			100		106 g
CA.GLA.2020.150			150		165 g
CA.GLA.2030	30	30	100	47	315 g
CA.GLA.3030			52,5		

### Angle Gripper Arm



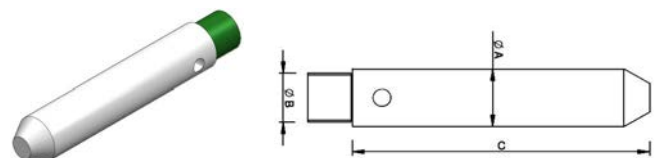
	A	B	C	D	
CA.WKA.10.10.30	10	10	30	8	13 g
CA.WKA.10.10.60			60		17 g
CA.WKA.10.10.90			90		
CA.WKA.14.14.40	14	14	40	10	22 g
CA.WKA.14.14.80			80		35 g
CA.WKA.14.14.120			120		48 g
CA.WKA.20.20.50	20	20	50	12	47 g
CA.WKA.20.20.100			100		78 g
CA.WKA.20.20.150			150		96 g
CA.WKA.30.30.80	30	30	80	17	136 g
CA.WKA.30.30.140			140		178 g
CA.WKA.30.30.200			200		278 g

### Extension Tube



	A	B	C	
CA.VLR.10.30	10	M8X1	30	3 g
CA.VLR.10.60			60	6 g
CA.VLR.10.90			90	10 g
CA.VLR.14.40	14	M12X1	40	6 g
CA.VLR.14.80			80	13 g
CA.VLR.14.120			120	19 g
CA.VLR.20.30	20	M14X1	30	11 g
CA.VLR.20.50	20	M17X1	50	15 g
CA.VLR.20.100			100	31 g
CA.VLR.20.150			150	46 g
CA.VLR.30.80	30	M27X1	80	44 g
CA.VLR.30.140			140	78 g
CA.VLR.30.200			200	113 g
CA.VLR.30.600			600	413 g

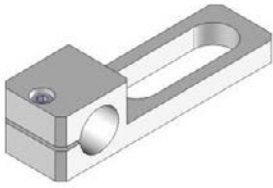
### Centering pin



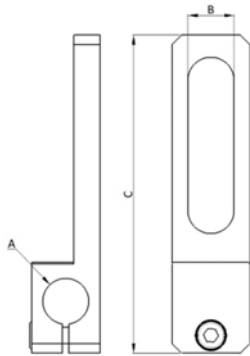
	A	B	C	M*	
CA.ZTB.1040	10	M8X1	40	CA.VLR.10	5 g
CA.ZTB.1060			60		7 g
CA.ZTB.1460	14	M12X1	80	CA.VLR.14	16 g
CA.ZTB.1480			100		18 g
CA.ZTB.20100	20	M17X1	100	CA.VLR.20	47 g
CA.ZTB.30100	30	M27X1	100	CA.VLR.30	104 g

For any further information, please refer to drawings on [www.fps-eoat.it](http://www.fps-eoat.it) Drawings not to scale

**Bracket tube - gripper arm**

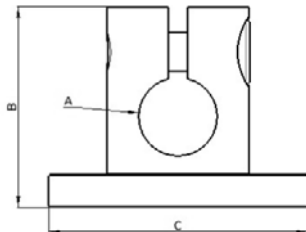


**New**



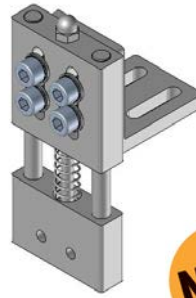
	A	B	C	
CA.STS.1010	10	10	73	24 g
CA.STS.1414	14	14	98	50 g
CA.STS.2020	20	20	113	100 g
CA.04.08.001	12	14	85	58 g
CA.04.08.002	16	20	100	67 g
CA.04.08.003	16	14	100	75 g
CA.04.08.004	12	10	79	33 g

**Cross Connector Round Omega**

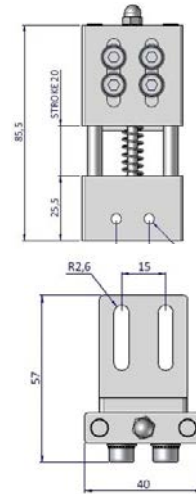


	A	B	C	
CA.03.06.005	12	31	40	32 g
CA.03.06.006	16	36,5	45	54 g
CA.03.06.007	20	46,3	58	100 g

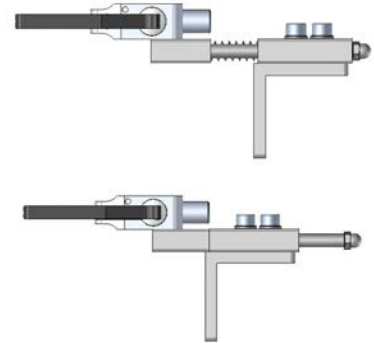
**Suspension for gripper**



**New**



	STROKE		
CA.UCP.NO.20	20	Normal open	

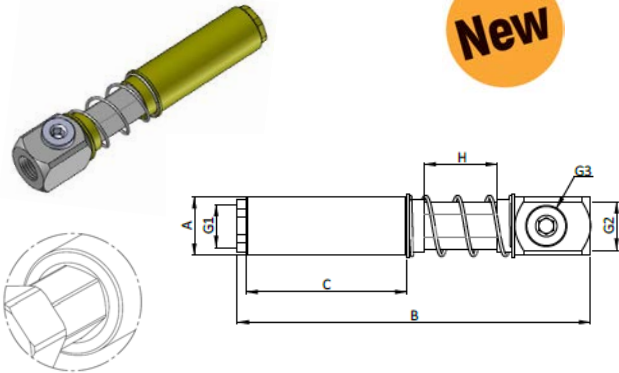


For any further information, please refer to drawings on [www.fps-eoat.it](http://www.fps-eoat.it) Drawings not to scale

## Non Rotative Suspension

### Smooth-body

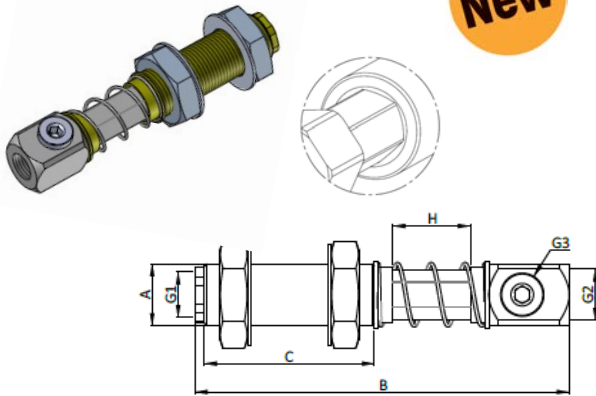
**New**



	A	B	C	G1	G2	G3	H	
CA.SAE.10050510	10	59	25	M5	M5	-	10	25 g
CA.SAE.10050530		79	25	M5	M5	-	30	27 g
CA.SAE.14181815	14	83	32	M5	G 1/8	G 1/8	15	52 g
CA.SAE.14181840		108	32	M5	G 1/8	G 1/8	40	55 g
CA.SAE.20141825	20	121	55	G 1/8	G 1/4	G 1/8	25	137 g
CA.SAE.20141850		146	55	G 1/8	G 1/4	G 1/8	50	140 g
CA.SAE.201418100		208	55	G 1/8	G 1/4	G 1/8	100	193 g

### Threaded-body

**New**

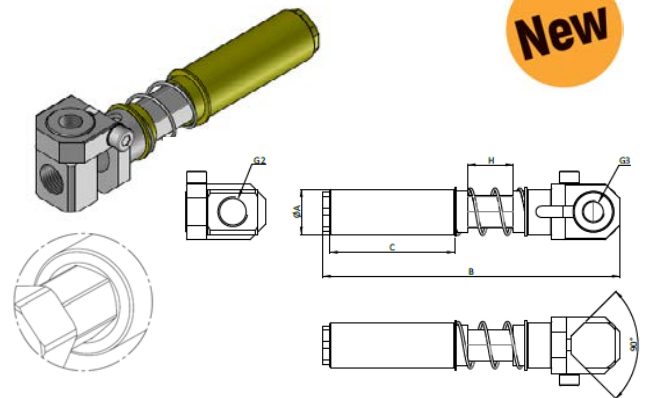


	A	B	C	G1	G2	G3	H	
CA.SAEG.10050510	M10X1	59	25	M5	M5	-	10	30 g
CA.SAEG.10020530		79	25	M5	M5	-	30	32 g
CA.SAEG.14181815	M14X1,5	83	32	M5	G 1/8	G 1/8	15	63 g
CA.SAEG.14181840		108	32	M5	G 1/8	G 1/8	40	65 g
CA.SAEG.20141825	M20X1,5	121	55	G 1/8	G 1/4	G 1/8	25	170 g
CA.SAEG.20141850		146	55	G 1/8	G 1/4	G 1/8	50	173 g

## Non Rotative Suspension With Swivel Head

### Smooth-body

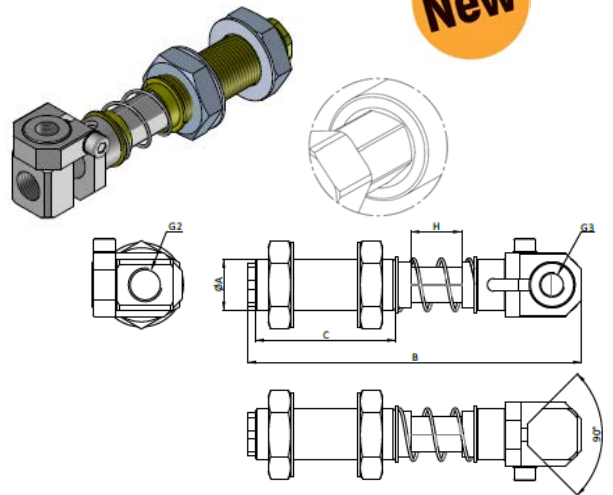
**New**



	A	B	C	G2	G3	H	
CA.SAS.10050510	10	76	25	M5	-	10	34 g
CA.SAS.10050530		96	25	M5	-	30	36 g
CA.SAS.14181815	14	94	32	G 1/8	G 1/8	15	59 g
CA.SAS.14181840		119	32	G 1/8	G 1/8	40	64 g
CA.SAS.20141825	20	131	55	G 1/4	G 1/8	25	155 g
CA.SAS.20141850		156	55	G 1/4	G 1/8	50	161 g

### Threaded-body

**New**



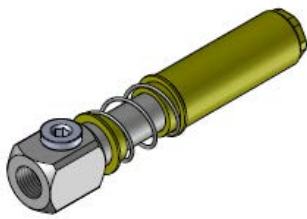
	A	B	C	G2	G3	H	
CA.SASG.10050510	10	76	25	M5	-	10	39 g
CA.SASG.10050530		96	25	M5	-	30	44 g
CA.SASG.14181815	14	94	32	G 1/8	G 1/8	15	70 g
CA.SASG.14181840		119	32	G 1/8	G 1/8	40	90 g
CA.SASG.20141825	20	131	55	G 1/4	G 1/8	25	188 g
CA.SASG.20141850		156	55	G 1/4	G 1/8	50	191 g

For any further information, please refer to drawings on [www.fps-eoat.it](http://www.fps-eoat.it) Drawings not to scale

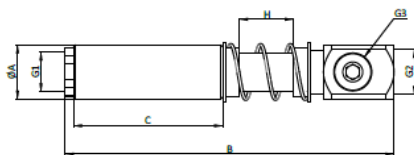


**Rotative Suspension**

**Smooth-body**

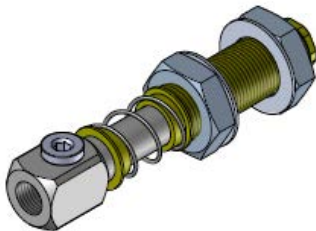


**New**

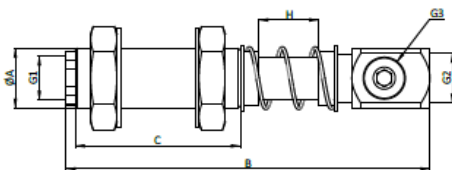


	A	B	C	G1	G2	G3	H	
CA.SAR.10050510	10	59	25	M5	M5	-	10	28 g
CA.SAR.10050530		79	25	M5	M5	-	30	31 g
CA.SAR.14181815	14	83	32	M5	G 1/8	G 1/8	15	55 g
CA.SAR.14181840		108	32	M5	G 1/8	G 1/8	40	60 g
CA.SAR.20141825	20	121	55	G 1/8	G 1/4	G 1/8	25	137 g
CA.SAR.20141850		146	55	G 1/8	G 1/4	G 1/8	50	144 g

**Threaded-body**



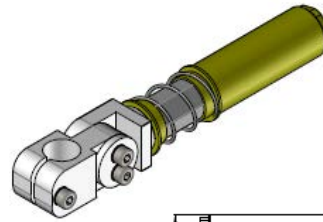
**New**



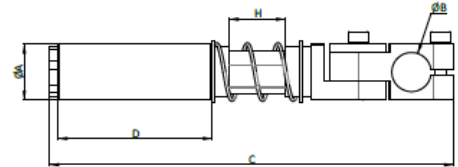
	A	B	C	G1	G2	G3	H	
CA.SARG.10050510	M10X1	59	25	M5	M5	-	10	32 g
CA.SARG.10050530		79	25	M5	M5	-	30	35 g
CA.SARG.14181815	M14X1,5	83	32	M5	G 1/8	G 1/8	15	67 g
CA.SARG.14181840		108	32	M5	G 1/8	G 1/8	40	72 g
CA.SARG.20141825	M20X1,5	121	55	G 1/8	G 1/4	G 1/8	25	171 g
CA.SARG.20141850		146	55	G 1/8	G 1/4	G 1/8	50	187 g

**Suspension With Swivel For Grippers**

**Smooth-body**

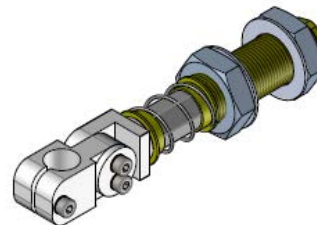


**New**

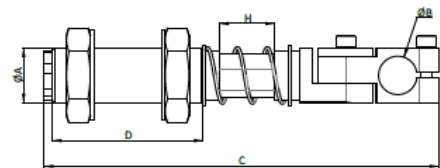


	A	B	C	D	H	
CA.SAM.141510	14	10	106	32	15	58 g
CA.SAM.144010			131	32	40	62 g
CA.SAM.202514	20	14	144	55	25	149 g
CA.SAM.202520		20	157			164 g
CA.SAM.205014		14	169	55	50	156 g
CA.SAM.205020		20	182			169 g

**Threaded-body**



**New**

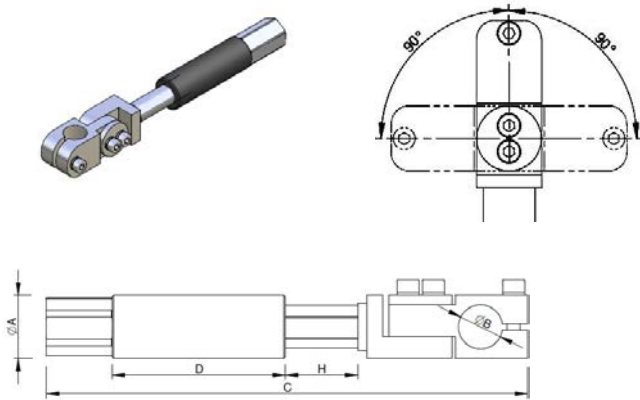


	A	B	C	D	H	
CA.SAMG.141510	14	10	106	32	15	69 g
CA.SAMG.202514	20	14	144	55	25	183 g
CA.SAMG.202520	20	20	157	55	25	198 g

For any further information, please refer to drawings on [www.fps-eoat.it](http://www.fps-eoat.it) Drawings not to scale

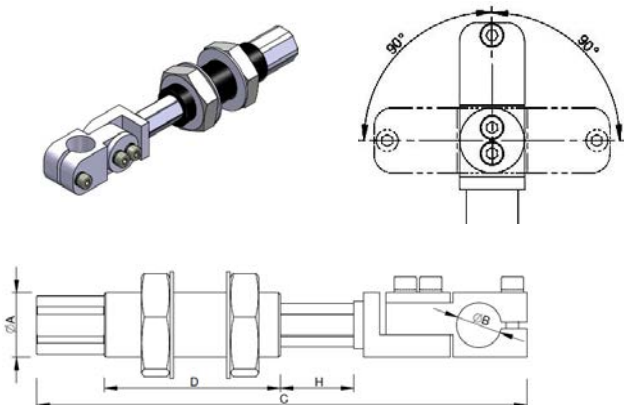
## Suspension With Swivel For Grippers

### Smooth-body



	A	B	C	D	H	F(N)	
CA.SMN.142010	14	10	128	42	20	8.9	43 g
CA.SMN.143510			160	60	35	9.5	50 g
CA.SMN.202514	20	14	153	55	25	11	95 g
CA.SMN.202520		20	166				111 g
CA.SMN.205014		14	208	82	50	11.4	115 g
CA.SMN.205020		20	219				130 g

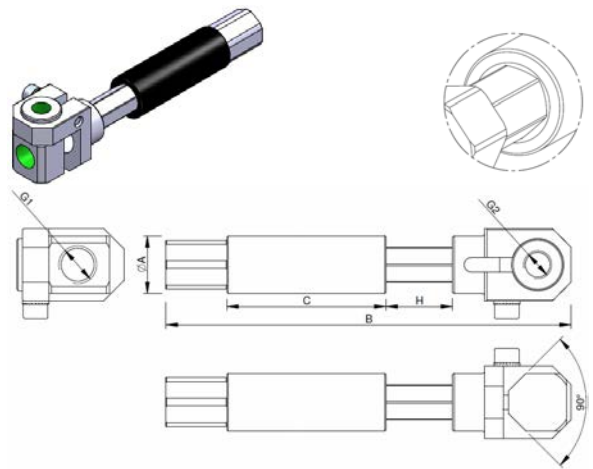
### Threaded-body



	A	B	C	D	H	F(N)	
CA.SMNG.142010	M14X1.5	10	128	42	20	8.9	55 g
CA.SMNG.143510			160	60	35	9.5	61 g
CA.SMNG.202514	M20X1.5	14	153	55	25	11	130 g
CA.SMNG.205014			206	82	50	11.4	149 g
CA.SMNG.205020		20	221	82	50	11.4	162 g

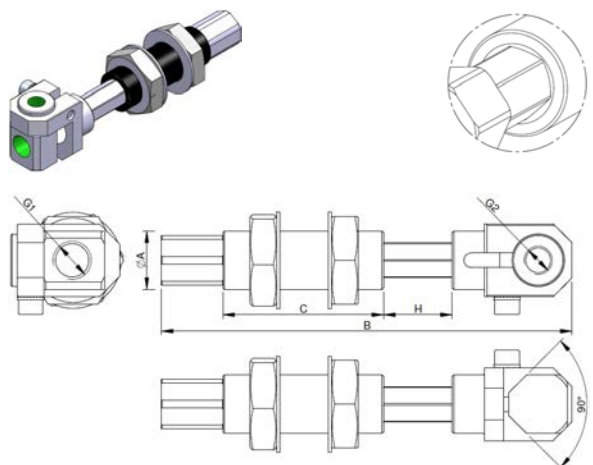
## Non Rotative Suspension With Swivel Head

### Smooth-body



	A	B	C	G1	G2	H	F(N)	
CA.SSN.10100505	10	78	26	M5	M5	10	3.6	20 g
CA.SSN.10250505		108	41			25	3.7	23 g
CA.SSN.14201818	14	116	42	G 1/8	G 1/8	20	8.9	45 g
CA.SSN.14351818		148	60			35	9.5	51 g
CA.SSN.20251418		140	55	G 1/4		25	11	102 g
CA.SSN.20501418		193	82			50	11.4	121 g
CA.SSN.20251818	20	140	55	G 1/8	25	11	103 g	
CA.SSN.20501818		193	82		50	11.4	122 g	

### Threaded-body

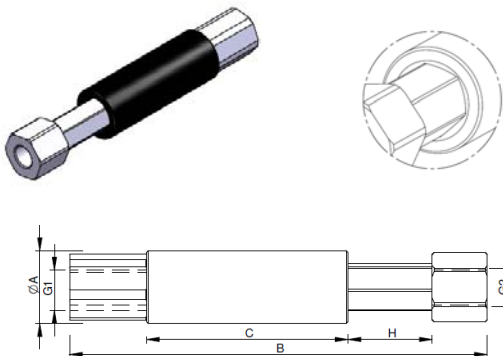


	A	B	C	G1	G2	H	F(N)	
CA.SSNG.10100505	M10X1	78	26	M5	M5	10	3.6	25 g
CA.SSNG.10250505		108	41			25	3.7	28 g
CA.SSNG.14201818	M14X1.5	116	42	G 1/8	G 1/8	20	8.9	56 g
CA.SSNG.14351818		148	60			35	9.5	62 g
CA.SSNG.20251418	M20X1.5	140	55	G 1/4		25	11	136 g
CA.SSNG.20501418		193	82			50	11.4	154 g
CA.SSNG.20251818	20	140	55	G 1/8	25	11	137 g	
CA.SSNG.20501818		193	82		50	11.4	156 g	

For any further information, please refer to drawings on [www.fps-eoat.it](http://www.fps-eoat.it) Drawings not to scale

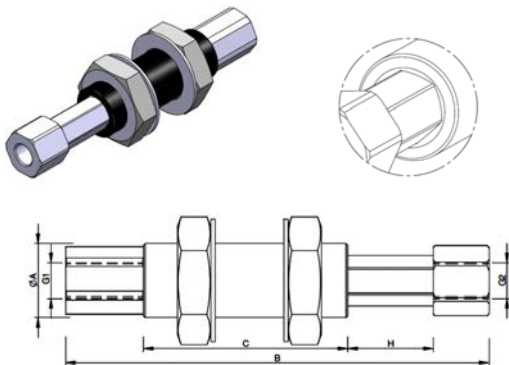
**Non Rotative Suspension**

**Smooth-body**



	A	B	C	G1	G2	H	F(N)	
CA.SDN.1010	10	61	26	M5	M5	10	3.6	8 g
CA.SDN.1025		91	41			25	3.7	11 g
CA.SDN.1420	14	103	42	G 1/8	G 1/8	20	8.9	25 g
CA.SDN.1435		135	60			35	9.5	32 g
CA.SDN.2025	1	55	25			11	63 g	
CA.SDN.2050	167	82	50			11.4	81 g	
CA.SDN.2025.14	20	114	55	G 1/4	G 1/4	25	11	59 g
CA.SDN.2050.14		161	82			50	11.4	77 g

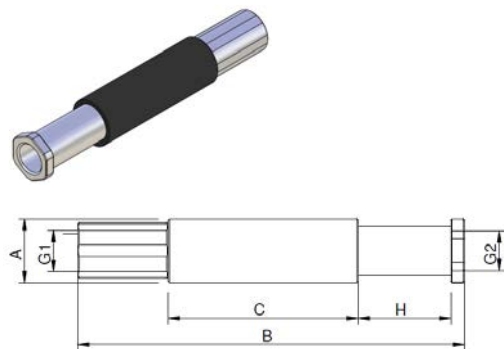
**Threaded-body**



	A	B	C	G1	G2	H	F(N)	
CA.SDNG.1010	M10X1	61	26	M5	M5	10	3.6	13 g
CA.SDNG.1025		91	41			25	3.7	16 g
CA.SDNG.1420	M14X1.5	103	42	G 1/8	G 1/8	20	8.9	36 g
CA.SDNG.1435		135	60			35	9.5	42 g
CA.SDNG.2025	114	55	25			11	96 g	
CA.SDNG.2050	174	82	50			11.4	115 g	
CA.SDNG.2025.14	M20X1.5	114	55	G 1/4	G 1/4	25	11	92 g
CA.SDNG.2050.14		167	82			50	11.4	111 g

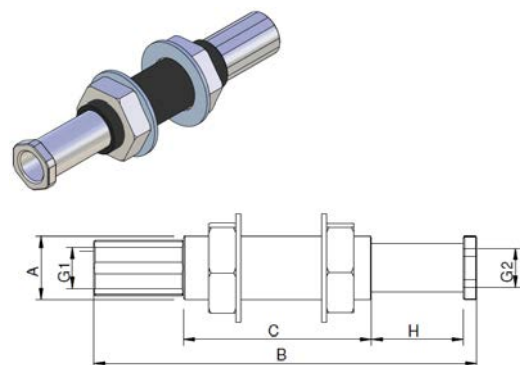
**Rotative Suspension**

**Smooth-body**



	A	B	C	G1	G2	H	F(N)	
CA.SDR.1010	10	51	20	M5	M5	10	3.6	7 g
CA.SDR.1025		86	40			25	3.7	11 g
CA.SDR.1420	14	85	42	G 1/8	G 1/8	20	8.9	19 g
CA.SDR.1435		120	62			35	9.5	26 g
CA.SDR.2025	97	47	25			11	54 g	
CA.SDR.2050	147	72	M10			50	11.4	74 g
CA.SDR.2025.14	20	107	47	G 1/4	G 1/4	25	11	56 g
CA.SDR.2050.14		157	72			50	11.4	76 g

**Threaded-body**

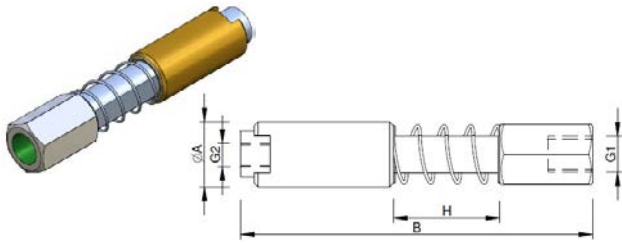


	A	B	C	G1	G2	H	F(N)	
CA.SDRG.1010	M10X1	51	20	M5	M5	10	3.6	12 g
CA.SDRG.1025		86	40			25	3.7	16 g
CA.SDRG.1420	M14X1.5	85	42	G 1/8	G 1/8	20	8.9	30 g
CA.SDRG.1435		120	62			35	9.5	37 g
CA.SDRG.1620	M16X1	85	20			8.9	37 g	
CA.SDRG.2025	97	47	25			11	88 g	
CA.SDRG.2050	M20X1.5	147	72	50	11.4	108 g		
CA.SDRG.2025.14		107	47	25	11	90 g		
CA.SDRG.2050.14		157	72	G 1/4	G 1/4	50	11.4	110 g

For any further information, please refer to drawings on [www.fps-eoat.it](http://www.fps-eoat.it) Drawings not to scale

## Non Rotative Suspension

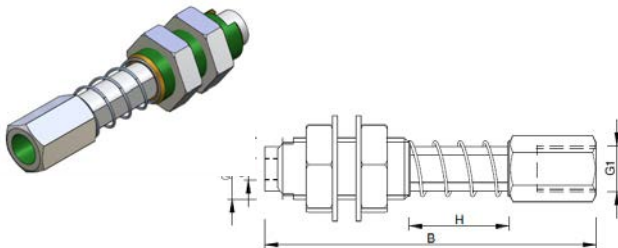
### Smooth-body



	A	B	G1	G2	H	F(N)	
CA.05.02.002	Ø 20	125	G 1/4	G 1/8	48	16.6	155 g
CA.05.02.004		100			25	18.4	135 g
CA.05.02.009	Ø 10	69	M5	M5	20	3.4	26 g
CA.05.02.009.6N						6	
CA.05.02.010		59			4.8	23 g	
CA.05.02.010.6N					6		
CA.05.02.011	Ø 14	100	G 1/8	38	23.3	63 g	
CA.05.02.012		76		17	20.7	52 g	

	A	B	G1	G2	H	F(N)	
CA.05.02.006	Ø 12	59	M5	M5	10	16.6	31 g
CA.05.02.005		69			20	18.4	33 g
CA.05.02.008		67	G 1/8	M5	10	16.6	34 g
CA.05.02.007					20	18.4	36 g
CA.05.02.001	Ø 16	100	G 1/8	M5	38	23.3	76 g
CA.05.02.003		76			17	20.7	64 g

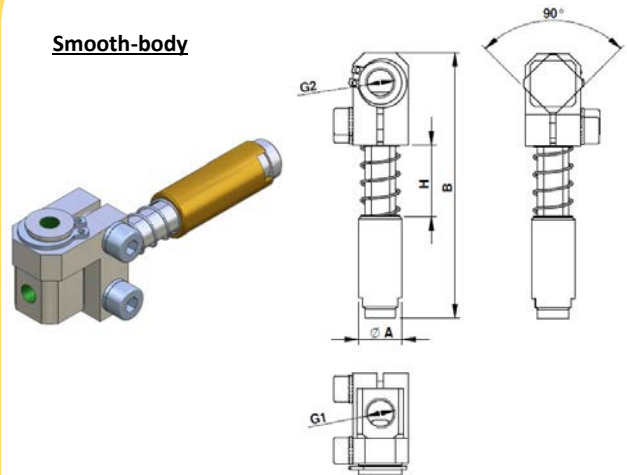
### Threaded-body



	A	B	G1	G2	H	F(N)	
CA.05.01.001	M14x1.5	100	G 1/8	M5	38	23.2	71 g
CA.05.01.002	M20x1.5	125	G 1/4	G 1/8	48	16.7	189 g
CA.05.01.003	M14x1.5	76	G 1/8	M5	17	20.7	58 g
CA.05.01.004	M20x1.5	100	G 1/4	G 1/8	25	18.4	163 g
CA.05.01.005	M10x1	70	M5	M5	20	3.4	36 g
CA.05.01.005.6N						6	
CA.05.01.006		59			4.8	33 g	
CA.05.01.006.6N					6		
CA.05.01.008	M12X1.25	59	G 1/8	M5	10	6	35 g
CA.05.01.009		77			20	6	40 g
CA.05.01.010	M16x1.5	76			17	20.7	56 g
CA.05.01.011		97			38	23.2	95 g
CA.05.01.50	M14x1.5	123	G 1/8	M5	50	17	81 g
CA.05.01.75		153			75	19	91 g
CA.05.01.100		193			100	18	95 g

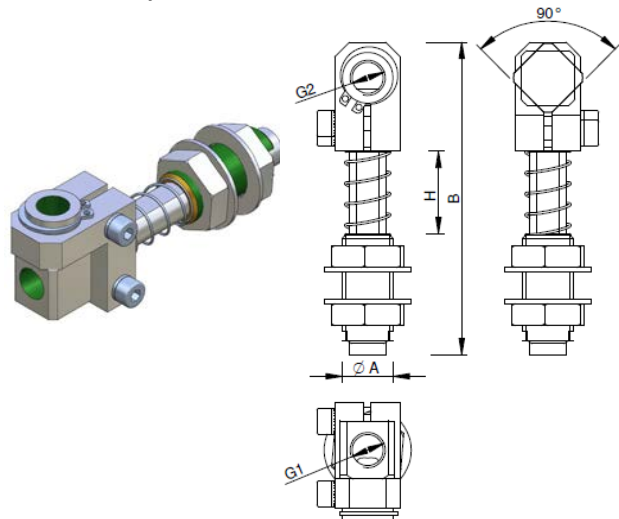
## Non Rotative Suspension With Swivel Head

### Smooth-body



	A	B	G1	G2	H	F(N)	
CA.GGS100515	Ø 10	69	M5	M5	10	3.6	37 g
CA.GGS100515.6N		69			10	6	37 g
CA.GGS100520		79			20	3.4	40 g
CA.GGS100520.6N		79			20	6	40 g
CA.GGS100530		98			30	8.6	45 g
CA.GGS120515	Ø 12	69	G 1/8	G 1/8	10	6	45 g
CA.GGS141815	Ø 14	86			17	20.7	82 g
CA.GGS141840		110			38	23.3	89 g
CA.GGS161815	Ø 16	86			17	20.7	84 g
CA.GGS161840		110	38	23.3	97 g		
CA.GGS201425	Ø 20	116	G 1/4	G 1/8	23	18.4	196 g
CA.GGS201445		141			45	16.7	206 g

### Threaded-body

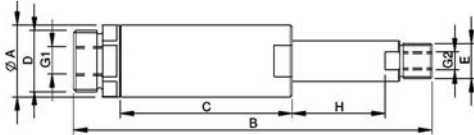


	A	B	G1	G2	H	F(N)	
CA.GGSM100515	M10X1	69	M5	M5	10	3.4	42 g
CA.GGSM100515.6N		69			10	6	42 g
CA.GGSM100520		79			20	3.4	45 g
CA.GGSM100520.6N		79			20	6	45 g
CA.GGSM100530		98			30	8.6	50 g
CA.GGSM141815	M14X1.5	86	G 1/8	G 1/8	17	20.7	85 g
CA.GGSM141840		110			38	23.3	101 g
CA.GGSM201425	M20X1.5	116	G 1/4	G 1/8	23	18.4	216 g
CA.GGSM201445		141			45	16.7	242 g

For any further information, please refer to drawings on [www.fps-eoat.it](http://www.fps-eoat.it) Drawings not to scale

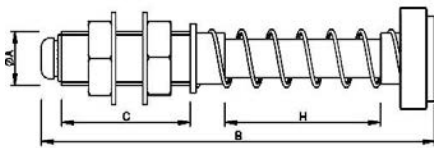
For any further information, please refer to drawings on [www.fps-eoat.it](http://www.fps-eoat.it) Drawings not to scale

### Telescopic self-retracting suspension



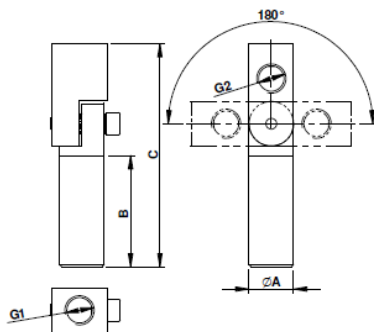
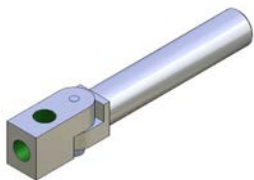
	A	B	C	D	E	G1	G2	H	F(N)	
CA.SAR.2025	20	100	48	M17x1	G 1/8	G 1/8	M5	25	3.6	42 g
CA.SAR.2050		150	73					50	4.2	68 g

### Spring rod



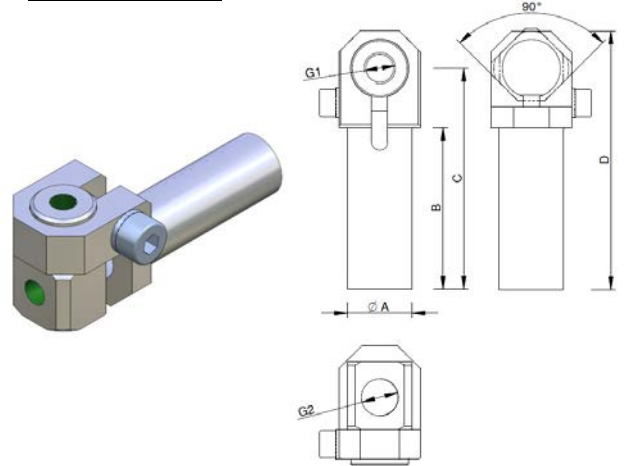
	A	B	C	H	R
CA.VSX.1440	M14X1.5	101	42	40	47 g

### Swivel Gripper Arm



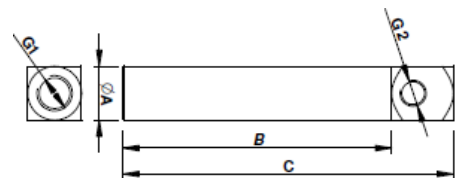
	A	B	C	G1	G2	
CA.GGE.10.M5.M5	10	60	90	M5	M5	22 g
CA.GGE.14.18.18	14	80	120	G 1/8	G 1/8	42 g
CA.GGE.20.14.18	20	100	150	G 1/4	G 1/8	85 g
CA.GGE.20.14.14					G 1/4	84 g
CA.GGE.201414150	20	150	200	G 1/8	G 1/8	122 g
CA.GGE.201818150						124 g

### Swivel Gripper Arm



	A	B	C	D	G1	G2	
CA.GGB.10050530	10	30	41	48	M5	M5	14 g
CA.GGB.10050560		60	71	78			17 g
CA.GGB.10050590		90	101	108			20 g
CA.GGB.14181840	14	40	56	65	G 1/8	G 1/8	29 g
CA.GGB.14181880		80	96	105			38 g
CA.GGB.141818120		120	136	145			45 g
CA.GGB.20141850	20	50	68	80	G 1/8	G 1/4	56 g
CA.GGB.201418100		100	118	130			70 g
CA.GGB.201418150		150	168	180			87 g
CA.GGB.20141450		50	68	80	G 1/4		55 g
CA.GGB.201414100		100	118	130			69 g
CA.GGB.201414150		150	168	180			86 g
CA.GGB.20181850		50	68	80	G 1/8		G 1/8
CA.GGB.201818100	100	118	130	70 g			
CA.GGB.201818150	150	168	180	87 g			

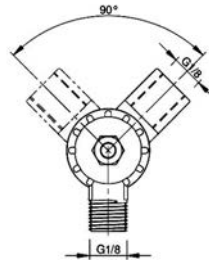
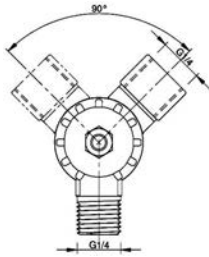
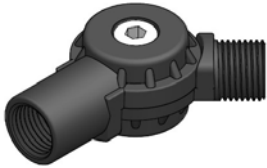
### Gripper Arm



	A	B	C	G1	G2	
CA.GSE.1018M530	10	30	52	G 1/8	M5	15 g
CA.GSE.1018M560		60	82			18 g
CA.GSE.1018M590		90	112			25 g
CA.GSE.10M5M530	10	30	46	M5		9 g
CA.GSE.10M5M560		60	76			15 g
CA.GSE.10M5M590		90	106			24 g
CA.GSE.14181840	14	40	62	G 1/8	G 1/8	18 g
CA.GSE.14181880		80	102			30 g
CA.GSE.141818120		120	142			43 g
CA.GSE.20141850	20	50	73	G 1/8		44 g
CA.GSE.201418100		100	123			63 g
CA.GSE.201418150		150	173			78 g
CA.GSE.30141480	30	80	108	G 1/4		155 g
CA.GSE.301414140		140	168			219 g
CA.GSE.301414200		200	228			283 g

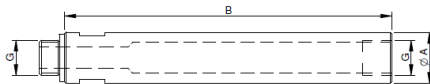
For any further information, please refer to drawings on [www.fps-eoat.it](http://www.fps-eoat.it) Drawings not to scale

**Elbow arm**



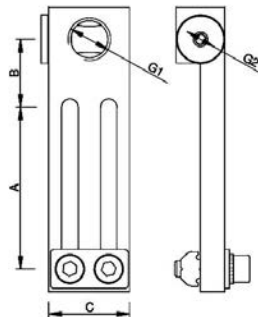
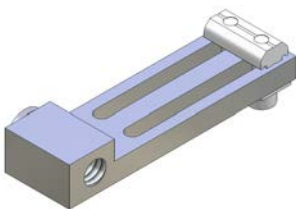
	G1	G2	
CA.07.01.001	G 1/8	G 1/8	7 g
CA.07.01.002	G 1/4	G 1/4	15 g

**Extension tube with air lead**



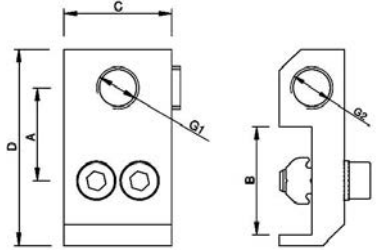
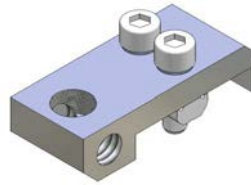
	A	B	G	
CA.GSEG.100515	10	15	M5	3 g
CA.GSEG.100530		30		6 g
CA.GSEG.100545		45		9 g
CA.GSEG.100590	12	90	M5	16 g
CA.GSEG.120545		45		12 g
CA.GSEG.120590		90		24 g
CA.GSEG.141815	14	15	G1/8	5 g
CA.GSEG.141830		30		10 g
CA.GSEG.141845		45		14 g
CA.GSEG.141890	20	90	G1/4	26 g
CA.GSEG.201445		45		30 g
CA.GSEG.201490		90		58 g

**Thread Clamp Adjustable**



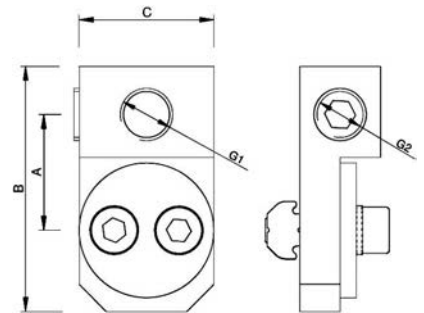
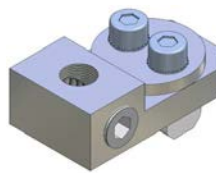
	A	B	C	G1	G2	M*	
CA.WLS.18.M5.X	45	24	25	G 1/8	M5	L/X	65 g
CA.WLS.M5.M5.X	40	14	16	M5	M5	L/X	24 g
CA.WLS.18.18.X	50	21	25	G 1/8	G 1/8	X/JU	65 g
CA.WLS.14.18.X				G 1/4			
CA.WLS.14.14.JU				23			

**Threadclamp fixed**



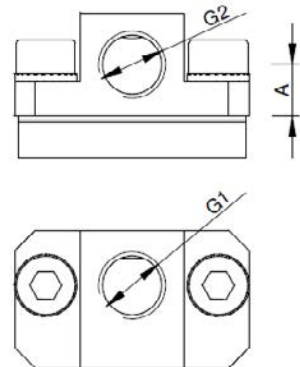
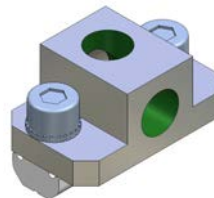
	A	B	C	D	G1	G2	M*	
CA.WSS.L.M5.M5	17	18	16	32	M5	M5	L	18 g
CA.WSS.X.18.18	22	25	25	46	G 1/8	G 1/8	X	46 g
CA.WSS.X.14.18					G 1/4			
CA.WSS.JU.14.18	29	40	60				JU	49 g

**Adjustable connector for Vacuum Cups**



	A	B	C	G1	G2	M*	
CA.WSD.L.M5.M5	14	28	16	M5	M5	L	19 g
CA.WSD.X.18.18	21	46	25	G 1/8	G 1/8	X	44 g
CA.WSD.X.14.18				G 1/4			

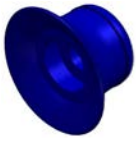
**Clamp for Vacuum Cups**



	A	G1	G2	M*	
CA.SGB.5.5.X	4	M5	M5	L	27 g
CA.SGB.18.18.X	7.5	G 1/8	G 1/8	X/JU	35 g
CA.SGB.14.14.X	10	G 1/4	G 1/4		39 g

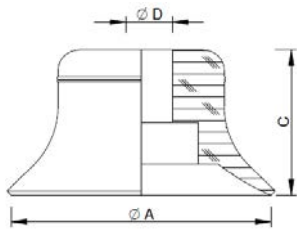
For any further information, please refer to drawings on [www.fps-eoat.it](http://www.fps-eoat.it) Drawings not to scale

**Vacuum Cup with 1 bellow only**



**HT1 SERIES**

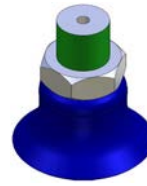
	A	C	D	F(N)	
CA.08.29.001	Ø5	6.5	Ø4	0.75	0.2 g
CA.08.29.002	Ø6			1.2	
CA.08.29.003	Ø8			2.3	
CA.08.29.004	Ø10	7.5	4		
CA.08.29.005	Ø15	8	9		
CA.08.29.006	Ø20	10	15.5	2.4 g	
CA.08.29.007	Ø25	14	Ø6	26.5	3.5 g
CA.08.29.008	Ø30	12		34	5.9 g
CA.08.29.009	Ø35	14		44	7.6 g
CA.08.29.010	Ø40		57.7	10.6 g	
CA.08.29.011	Ø50		15	91	24.2 g
CA.08.29.012	Ø60	18	M10x1.25	125	51.2 g
CA.08.29.013	Ø80	20.5		260	



**SILICONE SERIES**

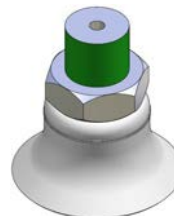
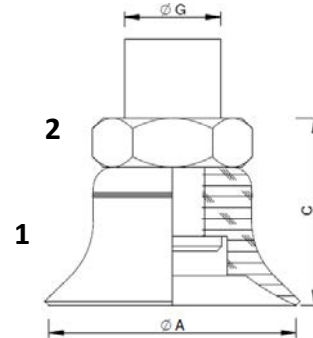
	A	C	D	F(N)	
CA.08.28.001	Ø5	6.5	Ø4	0.75	1 g
CA.08.28.002	Ø6			1.2	
CA.08.28.003	Ø8			2.3	
CA.08.28.004	Ø10	7.5	4		
CA.08.28.005	Ø15	8	9		
CA.08.28.006	Ø20	10	15.5	2 g	
CA.08.28.007	Ø25	14	Ø6	26.5	3 g
CA.08.28.008	Ø30	12		34	5 g
CA.08.28.009	Ø35	14		44	7 g
CA.08.28.010	Ø40		57.7	15 g	
CA.08.28.011	Ø50		15	91	19 g
CA.08.28.012	Ø60	18	M10x1.25	125	38 g
CA.08.28.013	Ø80	20		260	

**Vacuum Cup with 1 bellow (complete)**



**HT1 SERIES**

	1	2	A	C	G	
KIT.08.29.D05	CA.08.29.001	CA.08.09.014	Ø5	9.5	M5	5 g
KIT.08.29.D06	CA.08.29.002		Ø6			
KIT.08.29.D08	CA.08.29.003		Ø8			
KIT.08.29.D10	CA.08.29.004	CA.08.09.015	Ø10	12.5	G 1/8	6 g
KIT.08.29.D15	CA.08.29.005		Ø15			
KIT.08.29.D20	CA.08.29.006		Ø20			
KIT.08.29.D25	CA.08.29.007	CA.08.09.017	Ø25	19	G 1/8	7 g
KIT.08.29.D30	CA.08.29.008		Ø30			
KIT.08.29.D35	CA.08.29.009		Ø35			
KIT.08.29.D40	CA.08.29.010	CA.08.09.018	Ø40	19	G 1/4	10 g
KIT.08.29.D50	CA.08.29.011		Ø50			
KIT.08.29.D60	CA.08.29.012		Ø60			
KIT.08.29.D80	CA.08.29.013	CA.08.09.019	Ø80	23	25	24 g
						43 g



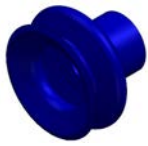
**SILICONE SERIES**

	1	2	A	C	G	
KIT.08.28.D05	CA.08.28.001	CA.08.09.014	Ø5	9.5	M5	6 g
KIT.08.28.D06	CA.08.28.002		Ø6			
KIT.08.28.D08	CA.08.28.003		Ø8			
KIT.08.28.D10	CA.08.28.004	CA.08.09.015	Ø10	12.5	G 1/8	7 g
KIT.08.28.D15	CA.08.28.005		Ø15			
KIT.08.28.D20	CA.08.28.006		Ø20			
KIT.08.28.D25	CA.08.28.007	CA.08.09.017	Ø25	19	G 1/8	8 g
KIT.08.28.D30	CA.08.28.008		Ø30			
KIT.08.28.D35	CA.08.28.009		Ø35			
KIT.08.28.D40	CA.08.28.010	CA.08.09.018	Ø40	19	G 1/4	12 g
KIT.08.28.D50	CA.08.28.011		Ø50			
KIT.08.28.D60	CA.08.28.012		Ø60			
KIT.08.28.D80	CA.08.28.013	CA.08.09.019	Ø80	23	25	24 g
						43 g

For any further information, please refer to drawings on [www.fps-eoat.it](http://www.fps-eoat.it) Drawings not to scale

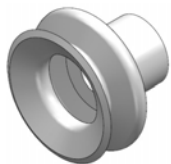
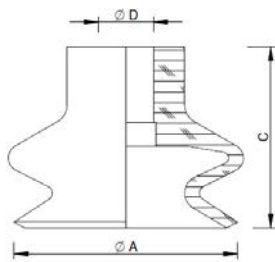


**Vacuum Cup with 2 bellows only**



**HT1 SERIES**

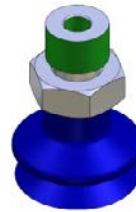
	A	C	D	F(N)	
CA.08.31.012	Ø6	9	Ø3.7	0.4	0.2 g
CA.08.31.001	Ø11	16	Ø4.5	1.2	
CA.08.31.002	Ø14			1.2	1.2 g
CA.08.31.003	Ø16	19.2	2.3		
CA.08.31.004	Ø20	15.2	4.7	1.7 g	
CA.08.31.005	Ø22	19	5.7	2 g	
CA.08.31.006	Ø25	23	5.3		
CA.08.31.007	Ø33	27	13.6	6.8 g	
CA.08.31.008	Ø43	27.6	22.8	11 g	
CA.08.31.009	Ø53	34	51.3	18.3 g	
CA.08.31.010	Ø63		85	23.8 g	
CA.08.31.011	Ø78	47	Ø12	137	55.6 g



**SILICONE SERIES**

	A	C	D	F(N)	
CA.08.30.012	Ø6	9	Ø3.7	1.5	1 g
CA.08.30.001	Ø11	16	Ø4.5	1.2	
CA.08.30.002	Ø14			1.2	1 g
CA.08.30.003	Ø16	19	2.3		
CA.08.30.004	Ø20	15	4.7	1.5 g	
CA.08.30.005	Ø23	23	5.3	3 g	
CA.08.30.006	Ø25	27	13.6	7 g	
CA.08.30.007	Ø43	28	23	11 g	
CA.08.30.008	Ø53	34	51	19 g	
CA.08.30.009	Ø63		85	24 g	
CA.08.30.010	Ø78	47	Ø12	137	56 g

**Vacuum Cup with 2 bellows (complete)**

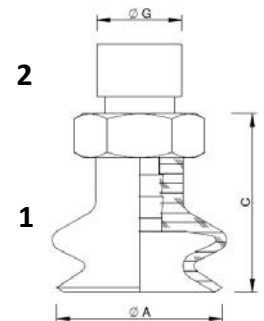
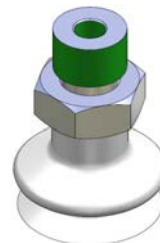


**HT1 SERIES**

	1	2	A	C	G	
KIT.08.31.D06.14	CA.08.31.012	CA.08.09.014	Ø6	14	M5	2 g
KIT.08.31.D11.4	CA.08.31.001	CA.08.09.004	Ø11	20.5	M5	2 g
KIT.08.31.D11.9		CA.08.09.009		21	G1/8	4 g
KIT.08.31.D14.4	CA.08.31.002	CA.08.09.004	Ø14	20.5	M5	2 g
KIT.08.31.D14.9		CA.08.09.009		21	G1/8	4 g
KIT.08.31.D16.4	CA.08.31.003	CA.08.09.004	Ø16	23.5	M5	4 g
KIT.08.31.D16.9		CA.08.09.009		24	G1/8	6 g
KIT.08.31.D20.4	CA.08.31.004	CA.08.09.004	Ø20	20.5	M5	5 g
KIT.08.31.D20.9		CA.08.09.009		21	G1/8	7 g
KIT.08.31.D22.4	CA.08.31.005	CA.08.09.004	Ø22	20.5	M5	6 g
KIT.08.31.D22.9		CA.08.09.009		21	G1/8	8 g
KIT.08.31.D25.4	CA.08.31.006	CA.08.09.004	Ø25	27.5	M5	6 g
KIT.08.31.D25.9		CA.08.09.009		28	G1/8	8 g
KIT.08.31.D33.11	CA.08.31.007	CA.08.09.011	Ø33	33.5	G1/8	11 g
KIT.08.31.D33.21		CA.08.09.021		31.5	G1/4	15 g
KIT.08.31.D43.11	CA.08.31.008	CA.08.09.011	Ø43	34	G1/8	16 g
KIT.08.31.D43.21		CA.08.09.021		32	G1/4	20 g
KIT.08.31.D53.11	CA.08.31.009	CA.08.09.011	Ø53	40.5	G1/8	22 g
KIT.08.31.D53.21		CA.08.09.021		38	G1/4	26 g
KIT.08.31.D63.21	CA.08.31.010	CA.08.09.021	Ø63	38	G1/4	31 g
KIT.08.31.D78.24	CA.08.31.011	CA.08.09.024	Ø78	52.8		47 g

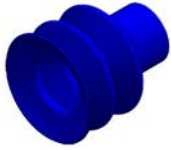
For any further information, please refer to drawings on [www.fps-eoat.it](http://www.fps-eoat.it) Drawings not to scale

**SILICONE SERIES**



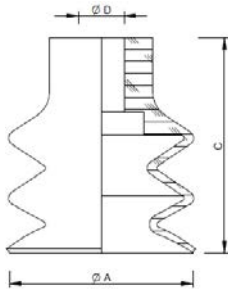
	1	2	A	C	G	
KIT.08.30.D06.14	CA.08.30.012	CA.08.09.014	Ø6	14	M5	2 g
KIT.08.30.D11.4	CA.08.30.001	CA.08.09.004	Ø11	20.5	M5	2 g
KIT.08.30.D11.9		CA.08.09.009		21	G1/8	4 g
KIT.08.30.D14.4	CA.08.30.002	CA.08.09.004	Ø14	20.5	M5	2 g
KIT.08.30.D14.9		CA.08.09.009		21	G1/8	4 g
KIT.08.30.D16.4	CA.08.30.003	CA.08.09.004	Ø16	23.5	M5	4 g
KIT.08.30.D16.9		CA.08.09.009		24	G1/8	6 g
KIT.08.30.D20.4	CA.08.30.004	CA.08.09.004	Ø20	20.5	M5	5 g
KIT.08.30.D20.9		CA.08.09.009		21	G1/8	7 g
KIT.08.30.D25.4	CA.08.30.005	CA.08.09.004	Ø25	27.5	M5	6 g
KIT.08.30.D25.9		CA.08.09.009		28	G1/8	8 g
KIT.08.30.D33.11	CA.08.30.006	CA.08.09.011	Ø33	33.5	G1/8	11 g
KIT.08.30.D33.21		CA.08.09.021		31.5	G1/4	15 g
KIT.08.30.D43.11	CA.08.30.007	CA.08.09.011	Ø43	34	G1/8	16 g
KIT.08.30.D43.21		CA.08.09.021		32	G1/4	20 g
KIT.08.30.D53.11	CA.08.30.008	CA.08.09.011	Ø53	40.5	G1/8	22 g
KIT.08.30.D53.21		CA.08.09.021		38	G1/4	26 g
KIT.08.30.D63.11	CA.08.30.009	CA.08.09.011	Ø63	40.5	G1/8	27 g
KIT.08.30.D63.21		CA.08.09.021		38	G1/4	31 g
KIT.08.30.D78.24	CA.08.30.010	CA.08.09.024	Ø78	52.8	G1/4	47 g

### Vacuum Cup with 3 bellows only



HT1 SERIES

	A	C	D	F(N)	
CA.08.32.D09	Ø9	15	Ø4	0.7	2 g
CA.08.32.D12	Ø12	21		0.9	3 g
CA.08.32.D14	Ø14	23		1.2	4 g
CA.08.32.D20	Ø20	22		3.8	6 g
CA.08.32.D25	Ø25	34	Ø8	4.5	7 g
CA.08.32.D32	Ø32	37		12	8 g
CA.08.32.D42	Ø42	46		13.6	10 g
CA.08.32.D52	Ø52	49		28.5	25 g
CA.08.32.D62	Ø62	54		41	39 g



SILICONE SERIES

	A	C	D	F(N)	
CA.08.33.D5	Ø5	14	Ø3.5	0.15	1 g
CA.08.33.D7	Ø7			0.1	
CA.08.33.D9	Ø9	15	Ø4	0.68	2 g
CA.08.33.D12	Ø12			0.9	3 g
CA.08.33.D14	Ø14			1.2	4 g
CA.08.33.D20	Ø20			3.8	6 g
CA.08.33.D25	Ø25	34	Ø8	4.5	7 g
CA.08.33.D32	Ø32	37		12.0	8 g
CA.08.33.D42	Ø42	46		13.6	10 g
CA.08.33.D52	Ø52	49		27	20 g
CA.08.33.D60	Ø60	55		32	60 g

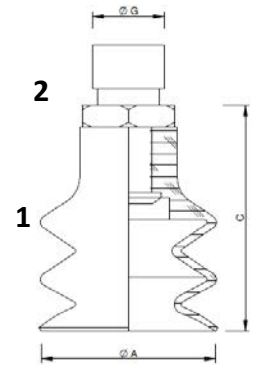
### Vacuum Cup with 3 bellows (complete)



HT1 SERIES

	1	2	A	C	G	
KIT.08.32.D09.26	CA.08.32.D09	CA.08.09.026	Ø9	20	M5	3 g
KIT.08.32.D12.4	CA.08.32.D12	CA.08.09.004	Ø12	25.5	M5	4 g
KIT.08.32.D12.9		CA.08.09.009		26	G1/8	6 g
KIT.08.32.D14.4	CA.08.32.D14	CA.08.09.004	Ø14	27.5	M5	5 g
KIT.08.32.D14.9		CA.08.09.009		28	G1/8	7 g
KIT.08.32.D20.4	CA.08.32.D20	CA.08.09.004	Ø20	26.5	M5	10 g
KIT.08.32.D20.9		CA.08.09.009		27	G1/8	12 g
KIT.08.32.D25.4	CA.08.32.D25	CA.08.09.004	Ø25	38.5	M5	11 g
KIT.08.32.D25.9		CA.08.09.009		39	G1/8	13 g
KIT.08.32.D32.11	CA.08.32.D32	CA.08.09.011	Ø32	43.3	G1/8	12 g
KIT.08.32.D32.21		CA.08.09.021		41	G1/4	14 g
KIT.08.32.D42.11	CA.08.32.D42	CA.08.09.011	Ø42	52.3	G1/8	14 g
KIT.08.32.D42.21		CA.08.09.021		50	G1/4	18 g
KIT.08.32.D52.21	CA.08.32.D52	CA.08.09.021	Ø52	64	G1/4	33 g
KIT.08.32.D62.21	CA.08.32.D62	CA.08.09.021	Ø62	59	G1/4	50 g

For any further information, please refer to drawings on [www.fps-eoat.it](http://www.fps-eoat.it) Drawings not to scale



SILICONE SERIES

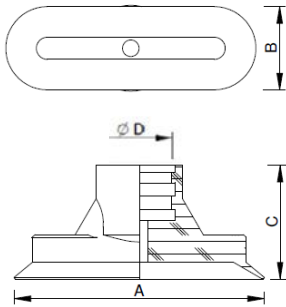
	1	2	A	C	G	
KIT.08.33.D5.25	CA.08.33.D5	CA.08.09.025	Ø5	18.5	M5	2 g
KIT.08.33.D7.26	CA.08.33.D7	CA.08.09.026	Ø7	19		
KIT.08.33.D9.26	CA.08.33.D9	CA.08.09.026	Ø9	20	M5	3 g
KIT.08.33.D12.4	CA.08.33.D12	CA.08.09.004	Ø12	25.5		
KIT.08.33.D12.9		CA.08.09.009		26	G1/8	6 g
KIT.08.33.D14.4	CA.08.33.D14	CA.08.09.004	Ø14	27.5	M5	5 g
KIT.08.33.D14.9		CA.08.09.009		28	G1/8	7 g
KIT.08.33.D20.4	CA.08.33.D20	CA.08.09.004	Ø20	26.5	M5	10 g
KIT.08.33.D20.9		CA.08.09.009		27	G1/8	12 g
KIT.08.33.D25.4	CA.08.33.D25	CA.08.09.004	Ø25	38.5	M5	11 g
KIT.08.33.D25.9		CA.08.09.009		39	G1/8	13 g
KIT.08.33.D32.11	CA.08.33.D32	CA.08.09.011	Ø32	43.3	G1/8	12 g
KIT.08.33.D32.21		CA.08.09.021		41	G1/4	16 g
KIT.08.33.D42.11	CA.08.33.D42	CA.08.09.011	Ø42	52.3	G1/8	14 g
KIT.08.33.D42.21		CA.08.09.021		50	G1/4	18 g
KIT.08.33.D52.11	CA.08.33.D52	CA.08.09.011	Ø52	55.3	G1/8	24 g
KIT.08.33.D52.21		CA.08.09.021		53	G1/4	28 g
KIT.08.33.D60.21	CA.08.33.D60	CA.08.09.021	Ø60	59	G1/4	68 g

**Vacuum Cup oval only**



**HT1 SERIES**

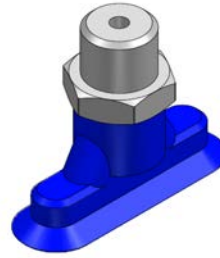
	A	B	C	D	F(N)	
CA.08.39.001	12	4	15	∅4	1.8	0.5 g
CA.08.39.002	15	5	12	∅4.5	3.1	
CA.08.39.003	18	6		4.5		
CA.08.39.004	24	8	21	∅7	8	1.0 g
CA.08.39.005	30	10		12.2	1.1 g	
CA.08.39.006	45	15	21	∅13	28.2	3.4 g
CA.08.39.007	60	20			50.1	6.4 g
CA.08.39.008	75	25			78.3	17.9 g



**SILICONE SERIES**

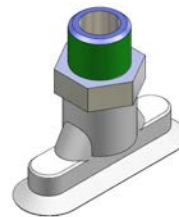
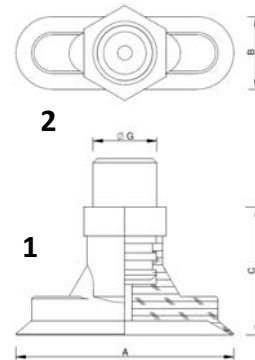
	A	B	C	D	F(N)	
CA.08.40.001	12	4	15	∅4	1.8	0.5 g
CA.08.40.002	15	5	12	∅4.5	3.1	
CA.08.40.003	18	6		4.5		
CA.08.40.004	24	8	21	∅7	8	1.0 g
CA.08.40.005	30	10		12.2	1.1 g	
CA.08.40.006	45	15	21	∅13	28.2	3.4 g
CA.08.40.007	60	20			50.1	6.4 g
CA.08.40.008	75	25			78.3	17.8 g

**Vacuum Cup oval (complete)**



**HT1 SERIES**

	1	2	A	B	C	G	
KIT.08.39.L12.40	CA.08.39.001	CA.08.09.040	12	4	18	M5	2.9 g
KIT.08.39.L15.28	CA.08.39.002	CA.08.09.028	15	5	17		3.4 g
KIT.08.39.L18.28	CA.08.39.003		18	6	17		3.7 g
KIT.08.39.L24.27	CA.08.39.004	CA.08.09.027	24	8	17	G 1/8	6.7 g
KIT.08.39.L30.27	CA.08.39.005		30	10	17	6.8 g	
KIT.08.39.L45.41	CA.08.39.006	CA.08.09.041	45	15	26	G 1/4	14.8 g
KIT.08.39.L60.41	CA.08.39.007		60	20	26		19 g
KIT.08.39.L75.41	CA.08.39.008		75	25	26		26.9 g

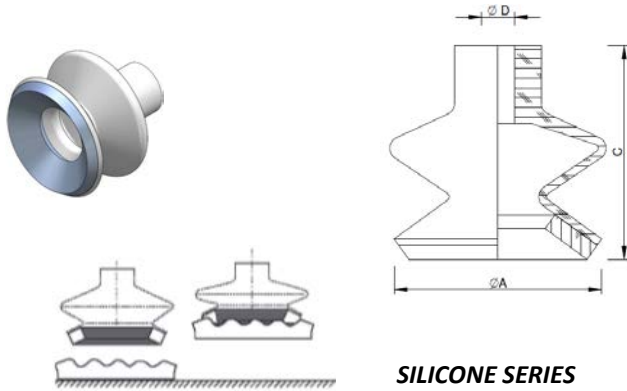


**SILICONE SERIES**

	1	2	A	B	C	G	
KIT.08.40.L12.40	CA.08.40.001	CA.08.09.040	12	4	18	M5	2.9 g
KIT.08.40.L15.28	CA.08.40.002	CA.08.09.028	15	5	17		3.4 g
KIT.08.40.L18.28	CA.08.40.003		18	6	17		3.7 g
KIT.08.40.L24.27	CA.08.40.004	CA.08.09.027	24	8	17	G 1/8	6.7 g
KIT.08.40.L30.27	CA.08.40.005		30	10	17	6.8 g	
KIT.08.40.L45.41	CA.08.40.006	CA.08.09.041	45	15	26	G 1/4	14.8 g
KIT.08.40.L60.41	CA.08.40.007		60	20	26		19 g
KIT.08.40.L75.41	CA.08.40.008		75	25	26		26.9 g

For any further information, please refer to drawings on [www.fps-eoat.it](http://www.fps-eoat.it) Drawings not to scale

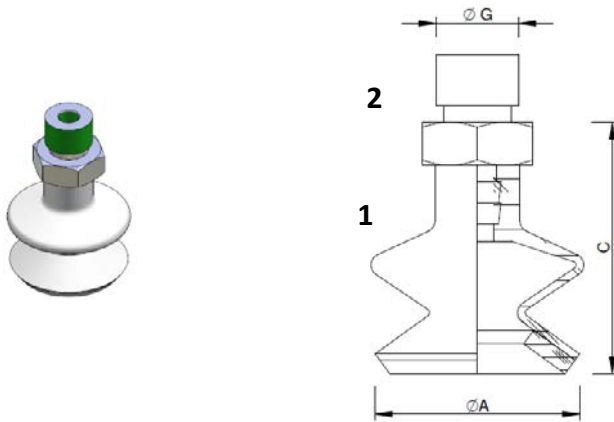
### Vacuum Cup with 2 bellows and foam strip



**SILICONE SERIES**

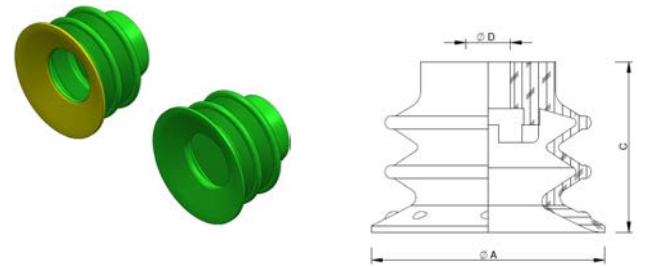
	A	C	D	F(N)	
CA.08.26.D16.AS	Ø16	21	Ø3.8	7	2 g
CA.08.26.D20.AS	Ø20	18		9	
CA.08.26.D25.AS	Ø25	25	Ø8	11	3 g
CA.08.26.D33.AS	Ø33	29		19.2	7 g
CA.08.26.D43.AS	Ø43	32		28	13 g
CA.08.26.D53.AS	Ø53	38		59	22 g
CA.08.26.D63.AS	Ø63	37		82	26 g
CA.08.26.D78.AS	Ø78	51		152	51 g

### Vacuum Cup with 2 bellows and foam strip (complete)



	1	2	A	C	G	
KIT.08.26.D16.4	CA.08.26.D16.AS	CA.08.09.004	Ø16	25.5	M5	3 g
KIT.08.26.D16.9		CA.08.09.009		26	G 1/8	6 g
KIT.08.26.D20.4	CA.08.26.D20.AS	CA.08.09.004	Ø20	22.5	M5	3 g
KIT.08.26.D20.9		CA.08.09.009		23	G 1/8	6 g
KIT.08.26.D25.4	CA.08.26.D25.AS	CA.08.09.004	Ø25	29.5	M5	4 g
KIT.08.26.D25.9		CA.08.09.009		30	G 1/8	6 g
KIT.08.26.D33.11	CA.08.26.D33.AS	CA.08.09.011	Ø33	35.3	G 1/8	11 g
KIT.08.26.D33.21		CA.08.09.021		33	G 1/4	15 g
KIT.08.26.D43.11	CA.08.26.D43.AS	CA.08.09.011	Ø43	38.3	G 1/8	17 g
KIT.08.26.D43.21		CA.08.09.021		36	G 1/4	21 g
KIT.08.26.D53.11	CA.08.26.D53.AS	CA.08.09.011	Ø53	44.3	G 1/8	26 g
KIT.08.26.D53.21		CA.08.09.021		42	G 1/4	30 g
KIT.08.26.D63.11	CA.08.26.D63.AS	CA.08.09.011	Ø63	43.3	G 1/8	30 g
KIT.08.26.D63.21		CA.08.09.021		41	G 1/4	34 g
KIT.08.26.D78.24	CA.08.26.D78.AS	CA.08.09.024	Ø78	57	G 1/4	57 g

### Vacuum Cup with 3 bellows only



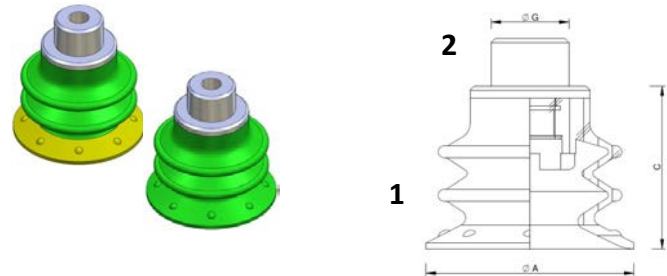
**Yellow 30 Shore**

**Green 60 Shore**

**POLYURETHANE SERIES**

	Sh	A	C	D	Cod. PIAB	F(N)	
CA.08.36.D10	30/60	Ø10	16.5	Ø3.8	0118329	3.7	1 g
CA.08.36.D10.60	60				0122966		
CA.08.36.D15	30/60				0118505	4.5	
CA.08.36.D15.60	60	Ø15	18.5	Ø5	0124237	6	
CA.08.36.D20	30/60				0118507	3 g	
CA.08.36.D20.60	60	Ø20	16.2	0124249	9.5		
CA.08.36.D25	30/60			Ø25	19		0109006
CA.08.36.D25.60	60	0108240					
CA.08.36.D35	30/60	Ø35	26.8	Ø6.5	0106292	28	8 g
CA.08.36.D35.60	60				0107477	30	
CA.08.36.D52	30/60	Ø52	39	Ø12	0104529	75	24 g
CA.08.36.D52.60	60				0107381	80	
CA.08.36.D75	30/60	Ø75	51.7	/	0107145	141	71 g
CA.08.36.D75.60	60				0107150	166	

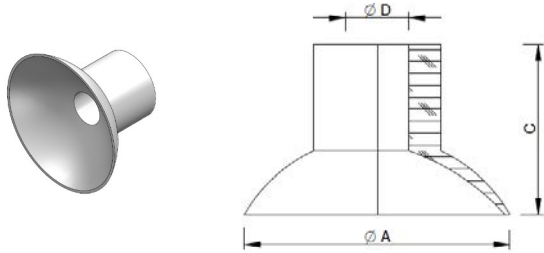
### Vacuum Cup with 3 bellows (complete)



	1	2	Cod. PIAB	A	C	G	
KIT.08.36.D10	CA.08.36.D10	CA.08.09.030 3107030	0122869	11	21	M5	2 g
KIT.08.36.D10.60	CA.08.36.D10.60	CA.08.09.030 3107030	0122967				
KIT.08.36.D15	CA.08.36.D15	CA.08.09.030 3107030	0124344	16	23	3 g	
KIT.08.36.D15.60	CA.08.36.D15.60	CA.08.09.030 3107030	0124345				
KIT.08.36.D20	CA.08.36.D20	CA.08.09.031 0101152	0125105	20	20.2	G 1/8 M	3 g
KIT.08.36.D20.60	CA.08.36.D20.60	CA.08.09.031 0101152	0125110				
KIT.08.36.D25	CA.08.36.D25	CA.08.09.032 3250004	0109402	25	25	M5 F	5 g
KIT.08.36.D25.60	CA.08.36.D25.60	CA.08.09.032 3250004	0109398				65 g
KIT.08.36.D35.1	CA.08.36.D35	CA.08.09.033 0200714	9912151	35	32.8	G 1/8 M G 1/4 M	10 g
KIT.08.36.D35.2		CA.08.09.034 3250091	0114449				13 g
KIT.08.36.D35.60	CA.08.36.D35.60	CA.08.09.034 3250091	9912152	52	45	G 1/4 M	13 g
KIT.08.36.D52	CA.08.36.D52	CA.08.09.035 3250092	0106045				35 g
KIT.08.36.D52.60	CA.08.36.D52.60	CA.08.09.035 3250092	0107385	75	60.4	90 g	
KIT.08.36.D75	CA.08.36.D75	CA.08.09.036 0201077	0201073				
KIT.08.36.D75.60	CA.08.36.D75.60	CA.08.09.036 0201077	0101074				

For any further information, please refer to drawings on [www.fps-eoat.it](http://www.fps-eoat.it) Drawings not to scale

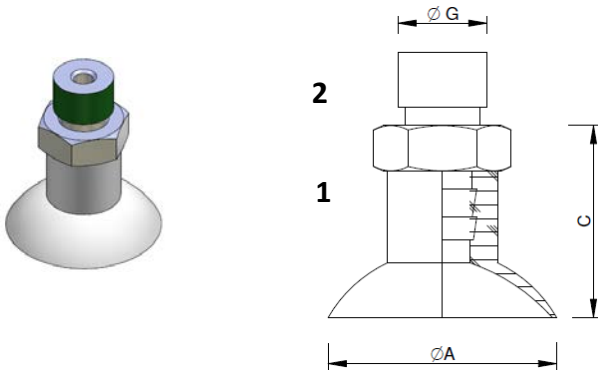
**Vacuum Cup with 1 bellow only**



**SILICONE SERIES**

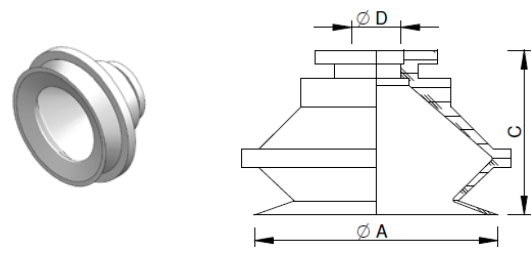
	A	C	D	F(N)	
CA.08.03.001	Ø6	8	Ø1.5	0.7	1 g
CA.08.03.002	Ø8		Ø3	1.0	
CA.08.03.003	Ø10			1.7	
CA.08.03.004	Ø12	11	Ø4	2.4	2 g
CA.08.03.005	Ø15			3.9	
CA.08.03.006	Ø20			7.25	
CA.08.03.007	Ø25	16	Ø6	12.2	3 g
CA.08.03.008	Ø30			16.7	
CA.08.03.009	Ø35			23.0	
CA.08.03.010	Ø45	22	Ø10	39.0	5 g
CA.08.03.011	Ø60			67.1	8 g

**Vacuum Cup with 1 bellow (complete)**



	1	2	A	C	G	
KIT.08.03.D06.5	CA.08.03.001	CA.08.09.005	Ø6	11.5	M5	3 g
KIT.08.03.D08.6	CA.08.03.002	CA.08.09.006	Ø8	10		
KIT.08.03.D10.4	CA.08.03.003	CA.08.09.004	Ø10	14.51	M5	
KIT.08.03.D10.9		CA.08.09.009		5	G1/8	
KIT.08.03.D12.4	CA.08.03.004	CA.08.09.004	Ø12	15.51	M5	
KIT.08.03.D12.9		CA.08.09.009		6	G1/8	
KIT.08.03.D15.4	CA.08.03.005	CA.08.09.004	Ø15	16.51	M5	
KIT.08.03.D15.9		CA.08.09.009		7	G1/8	
KIT.08.03.D20.4	CA.08.03.006	CA.08.09.004	Ø20	17.51	M5	2 g
KIT.08.03.D20.9		CA.08.09.009		8	G1/8	4 g
KIT.08.03.D25.10	CA.08.03.007	CA.08.09.010	Ø25	21	G1/8	6 g
KIT.08.03.D30.10	CA.08.03.008		Ø30			7 g
KIT.08.03.D35.11	CA.08.03.009		Ø35	23		
KIT.08.03.D45.11	CA.08.03.010	CA.08.09.011	Ø45	26		9 g
KIT.08.03.D60.11	CA.08.03.011		Ø60	28		12 g

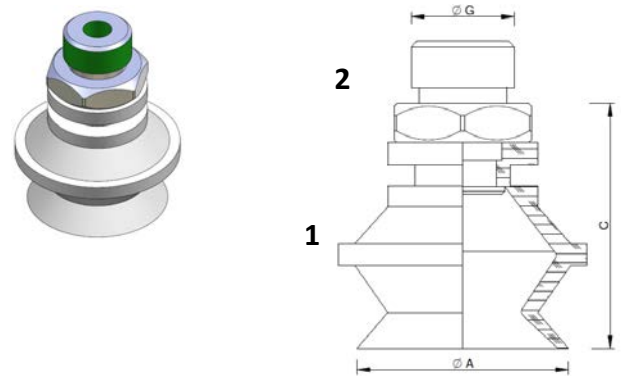
**Vacuum Cup with 2 bellows only**



**SILICONE SERIES**

	A	C	D	F(N)	
CA.08.01.001	Ø11	16	Ø4	4.6	1 g
CA.08.01.002	Ø16	19		7.5	2 g
CA.08.01.003	Ø20	19.5	Ø4.8	14.7	3 g
CA.08.01.004	Ø30	27	Ø6	25.5	6 g
CA.08.01.005	Ø40	28	Ø8	48.1	7 g
CA.08.01.006	Ø50	35	Ø10.5	83.3	15 g

**Vacuum Cup with 2 bellows (complete)**



	1	2	A	C	G	
KIT.08.01.D11.4	CA.08.01.001	CA.08.09.004	Ø11	20.5	M5	2 g
KIT.08.01.D11.9		CA.08.09.009		21		G1/8
KIT.08.01.D16.4	CA.08.01.002	CA.08.09.004	Ø16	23.5	M5	3 g
KIT.08.01.D16.9		CA.08.09.009		24		G1/8
KIT.08.01.D20.1	CA.08.01.003	CA.08.09.001.AL	Ø20	23		5,5 g
KIT.08.01.D30.2	CA.08.01.004	CA.08.09.002.AL	Ø30	32	G1/8	18 g
KIT.08.01.D40.2	CA.08.01.005	CA.08.09.037	Ø40	33		19 g
KIT.08.01.D50.3	CA.08.01.006	CA.08.09.003	Ø50	39	G1/4	18 g

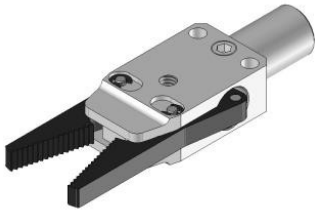
For any further information, please refer to drawings on [www.fps-eoat.it](http://www.fps-eoat.it) Drawings not to scale

### Sprue Grippers GZA.10.08

Closing force (6 bar) = 19 N

CA.GZA.10.08

Open 14 mm



CA.GZA.10.08.18

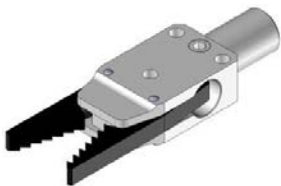
Open 14 mm

G 1/8



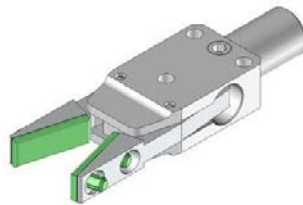
CA.GZA.10.08.19

Open 14 mm



CA.GZA.10.08.G

Open 14 mm



Jaws With Pads

CA.GZA.10.08.LL

Open 14 mm



Jaws Without Teeth

CA.GZA.10.08.M50

Open 14 mm

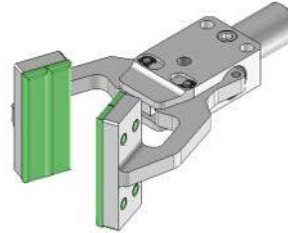


### Sprue Grippers GZA.10.08

Closing force (6 bar) = 19 N

CA.GZA.10.08.ATG

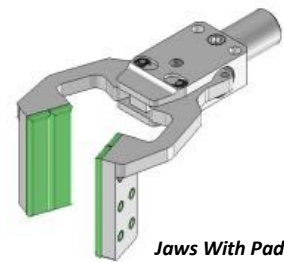
Open 20 mm



Jaws With Pads

CA.GZA.10.08.AHG

Open 20 mm



Jaws With Pads

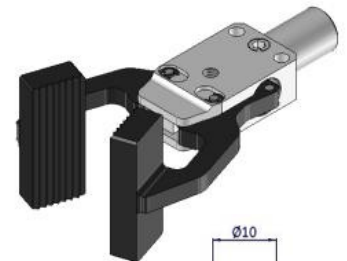
CA.GZA.10.08.AHL

Open 20 mm



CA.GZA.10.08.AHT

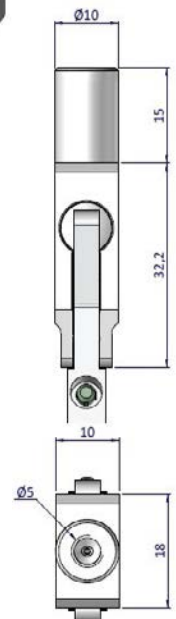
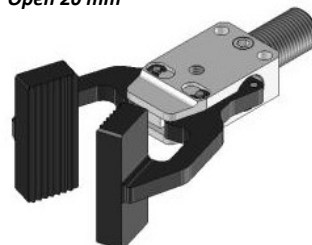
Open 20 mm



CA.GZA.10.08.FHT

Open 20 mm

G 1/8



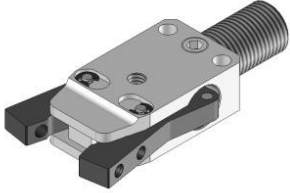
For any further information, please refer to drawings on [www.fps-eoat.it](http://www.fps-eoat.it) Drawings not to scale

**Sprue Grippers GZA.10.08**

Closing force (6 bar) = 19 N

CA.GZA.10.08.18C

G 1/8



CA.GZA.10.08.AH

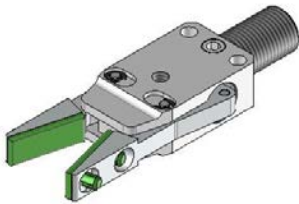
Open 14 mm



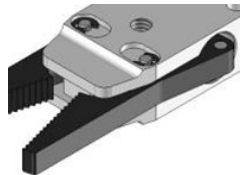
CA.GZA.10.08.18G

Open 14 mm

G 1/8



All GZA.10.08 line has the segers in the pins and the magnet in the jaws



**Programmable capacitive sensor**



Last minute sensor

	Output	Sensor Type	Sensing distance	Connector method	
CA.SCP.1008	PNP	Magnetic sensor	0mm - 50mm	Connector type M8 4pin	65 g
CA.SCP.1012					



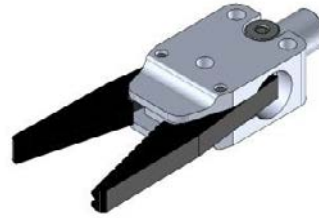
GZA.10.08.6.V

**Sprue Grippers GZA.10.12**

Closing force (6 bar) = 30 N

CA.GZA.10.12

Open 24 mm



CA.GZA.10.12.14

Open 18 mm



CA.GZA.10.12.18

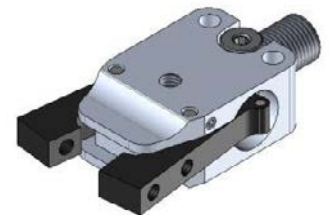
Open 20 mm

G 1/8



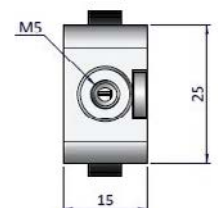
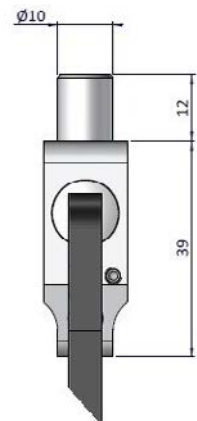
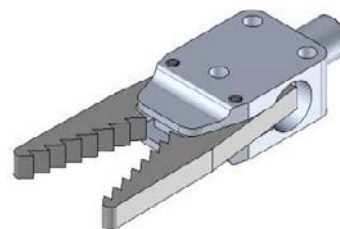
CA.GZA.10.12.18C

G 1/8



CA.GZA.10.12.19

Open 21 mm

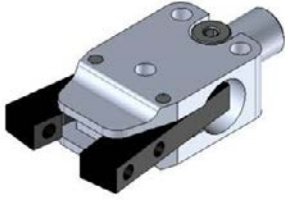


For any further information, please refer to drawings on [www.fps-eoat.it](http://www.fps-eoat.it) Drawings not to scale

**Sprue Grippers GZA.10.12**

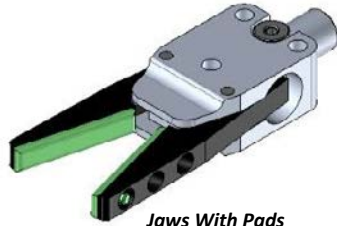
Closing force (6 bar) = 30 N

CA.GZA.10.12.C



CA.GZA.10.12.G

Open 22 mm



Jaws With Pads

CA.GZA.10.12.L

Open 20 mm



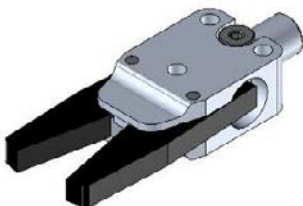
CA.GZA.10.12.L90

Open 19 mm



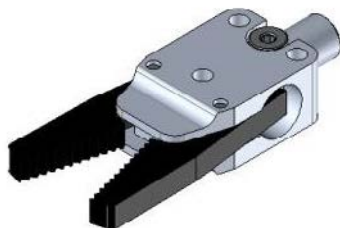
CA.GZA.10.12.LL

Open 20 mm



CA.GZA.10.12.M

Open 20 mm



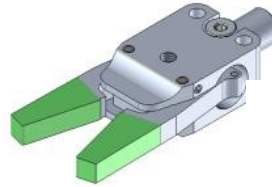
Jaws Without Teeth

**Sprue Grippers GZA.10.12**

Closing force (6 bar) = 30 N

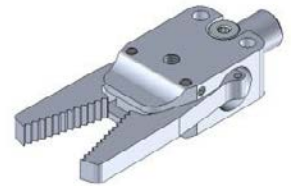
CA.GZA.10.12.MC

Open 19 mm



CA.GZA.10.12.MF

Open 20 mm



Jaws in steel

CA.GZA.10.12.G50

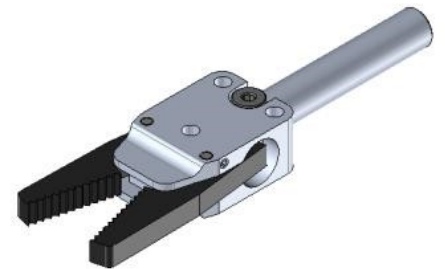
Open 22 mm



Jaws With Pads

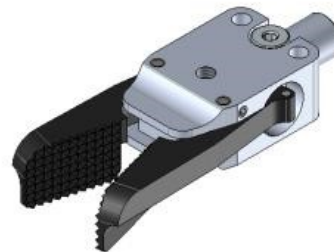
CA.GZA.10.12.M50

Open 20 mm

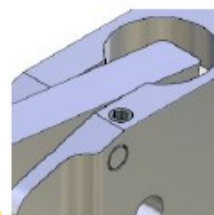


CA.GZA.10.12.AH

Open 20 mm



For any further information, please refer to drawings on [www.fps-eoat.it](http://www.fps-eoat.it) Drawings not to scale



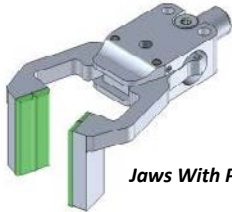
All the GZA.10.12 has the locking screw for dowel pin



**Sprue Grippers GZA.10.12**

Closing force (6 bar) = 30 N

CA.GZA.10.12.AHG  
Open 20 mm

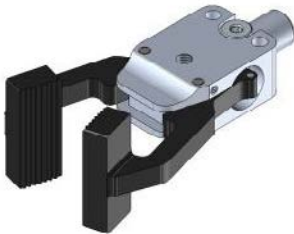


Jaws With Pads

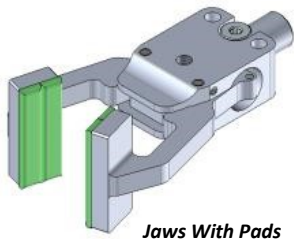
CA.GZA.10.12.AHL  
Open 20 mm



CA.GZA.10.12.AHT  
Open 20 mm



CA.GZA.10.12.ATG  
Open 20 mm



Jaws With Pads

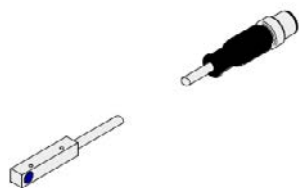


GZA.10.12.6.V

**Inductive sensor for GZA.10.12**

Normally Open M8 plug connector

MMD.IL5AP3AVF80	PNP
MMD.IL5AN3AVF80	NPN



For any further information, please refer to drawings on [www.fps-eoat.it](http://www.fps-eoat.it) Drawings not to scale

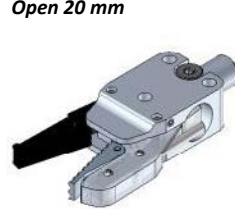
**Sprue Grippers GZA.10.12 With sensor**

Closing force (6 bar) = 30 N

The sensor is NPN when N is present in the code

The sensor is PNP when only S -P -SP is present in the code

CA.GZA.10.12.MS/MSN  
Open 20 mm



CA.GZA.10.12.S/SN  
Open 24 mm



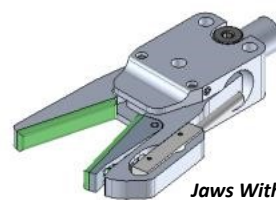
CA.GZA.10.12.S4/S4N  
Open 19 mm



CA.GZA.10.12.S9/S9N  
Open 20 mm



CA.GZA.10.12.SG/SGN  
Open 23 mm



Jaws With Pads



CA.GZA.10.12.M5P/M5N  
Open 20 mm



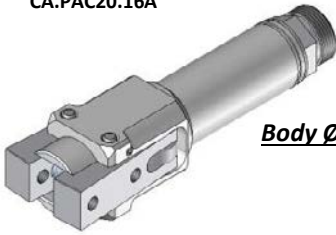
**New**

### Selfcentering Sprue Grippers PAC20.16

Closing force (6 bar) = 90 N

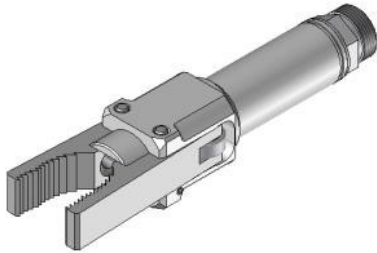
CA.PAC20.16A

**M 17 X 1**

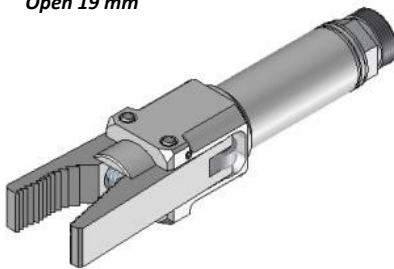


**Body Ø 20**

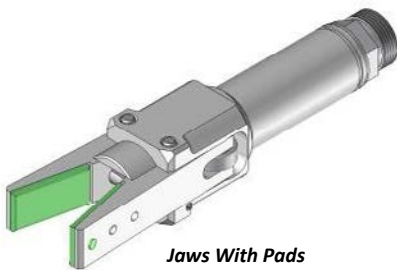
CA.PAC20.16E  
Open 19 mm



CA.PAC20.16K  
Open 19 mm

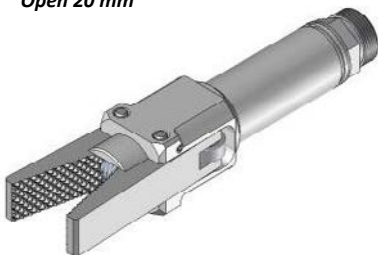


CA.PAC20.16P  
Open 20 mm

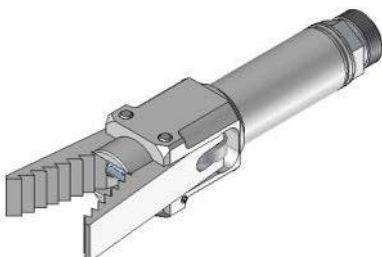


Jaws With Pads

CA.PAC20.16R  
Open 20 mm



CA.PAC20.169  
Open 24 mm



### Selfcentering Sprue Grippers PAC20.16

Closing force (6 bar) = 90 N

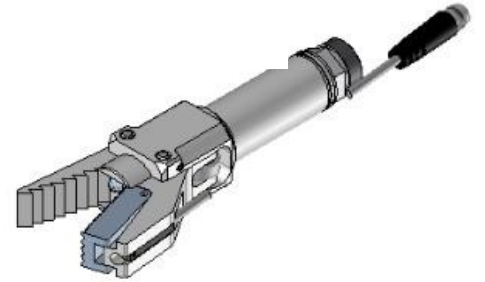
CA.PAC20.16S/SN  
Open 22 mm  
S=PNP SN=NPN

**M 17 X 1**

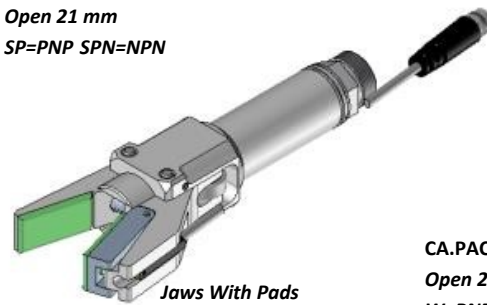


**Body Ø 20**

CA.PAC20.16S9/S9N  
Open 21 mm  
S9=PNP S9N=NPN

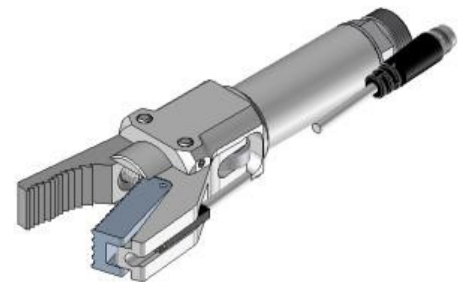


CA.PAC20.16SP/SPN  
Open 21 mm  
SP=PNP SPN=NPN



Jaws With Pads

CA.PAC20.16W/WN  
Open 21 mm  
W=PNP WN=NPN



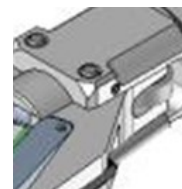
L = 3 m



L = 0,3 m



	Type	
KT58PM8	PNP	M8
KT58P3M	PNP	-
KT58NM8	NPN	M8
KT58N3M	NPN	-



All the PAC20 has the locking screw for dowel pin

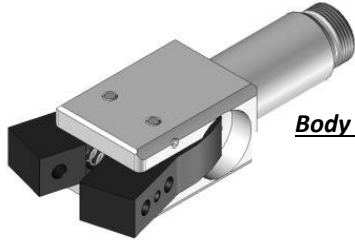
For any further information, please refer to drawings on [www.fps-eoat.it](http://www.fps-eoat.it) Drawings not to scale

**Sprue Grippers GRZ.20**

Closing force (6 bar) = 90 N

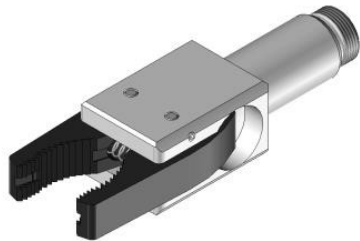
CA.GRZ.20.A

**M 17 X 1**



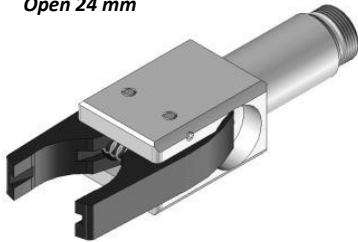
**Body Ø 20**

CA.GRZ.20.E  
Open 21 mm



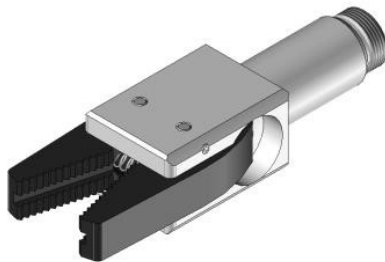
CA.GRZ.20.LL

Open 24 mm



Jaws Without Teeth

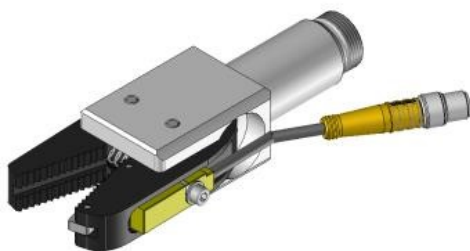
CA.GRZ.20.R  
Open 21 mm



CA.GRZ.20.S/SN

Open 21 mm

S=PNP SN=NPN



**Sprue Grippers GRZ.20**

Closing force (6 bar) = 90 N

CA.GRZ.20.W/WN

Open 21 mm

W=PNP WN=NPN

**M 17 X 1**

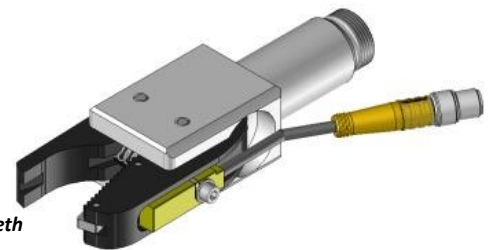
**Body Ø 20**



CA.GRZ.20.WL/WLN

Open 21 mm

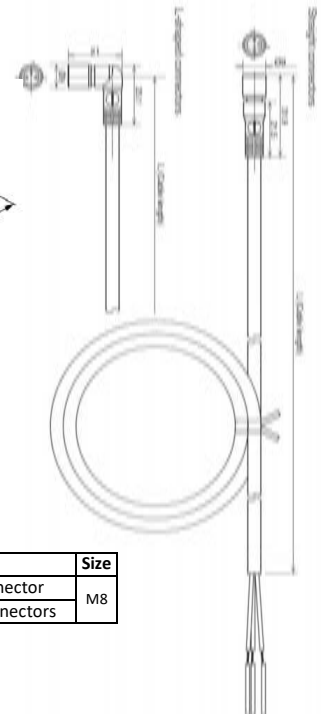
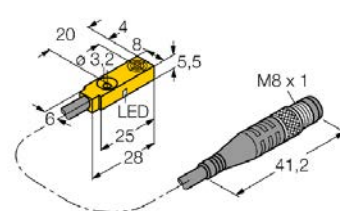
WL=PNP WLN=NPN



Jaws Without Teeth

GRZ.20.SC.PNP

GRZ.20.SC.NPN



	Type	Size
OM.XS3F.M83S5M	Straight connector	M8
OM.XS3F.M83A5M	L - shaped connectors	M8



All the GRZ.20 has the locking screw for dowel pin

For any further information, please refer to drawings on [www.fps-eoat.it](http://www.fps-eoat.it) Drawings not to scale

### Sprue Grippers

**GTS.1003 Ø 14      GTS.1004 Ø 20**

Closing force (6 bar) GTS.1003 = 45 N    GTS.1004 = 90 N

Jaws in STEEL

	Body	Open	
CA.GTS.1003.1212	Ø 14	16	
CA.GTS.1004.1212	Ø 20	25	



	Body	Open	
CA.GTS.1003.1214	Ø 14	16	
CA.GTS.1004.1214	Ø 20	25	

	Body	Open	
CA.GTS.1003.1414	Ø 14	16	
CA.GTS.1004.1414	Ø 20	25	



	Body	Open	
CA.GTS.1003.1919	Ø 14	16	
CA.GTS.1004.1919	Ø 20	25	

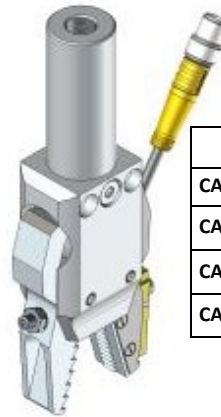
### Sprue Grippers

**GTS.1003 Ø 14      GTS.1004 Ø 20**

Closing force (6 bar) GTS.1003 = 45 N    GTS.1004 = 90 N

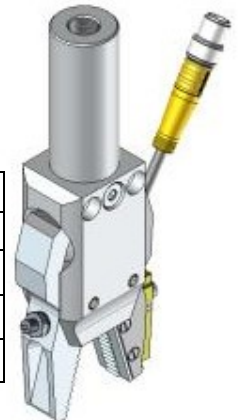
Jaws in STEEL

	Body	Open	
CA.GTS.1003.1717	Ø 14	16	
CA.GTS.1004.1717	Ø 20	25	



	Body	Open	Sensor
CA.GTS.1003.1915	Ø 14	16	PNP
CA.GTS.1004.1915	Ø 20	25	PNP
CA.GTS.1003.195N	Ø 14	16	NPN
CA.GTS.1004.195N	Ø 20	25	NPN

	Body	Open	Sensor
CA.GTS.1003.1215	Ø 14	16	PNP
CA.GTS.1004.1215	Ø 20	25	PNP
CA.GTS.1003.125N	Ø 14	16	NPN
CA.GTS.1004.125N	Ø 20	25	NPN



	Body	Open	Sensor
CA.GTS.1003.1415	Ø 14	16	PNP
CA.GTS.1004.1415	Ø 20	25	PNP
CA.GTS.1003.145N	Ø 14	16	NPN
CA.GTS.1004.145N	Ø 20	25	NPN

	Body
GTS.03.G18	Ø 14
GTS.04.G18	Ø 20



For any further information, please refer to drawings on [www.fps-eoat.it](http://www.fps-eoat.it) Drawings not to scale

**Sprue Grippers**

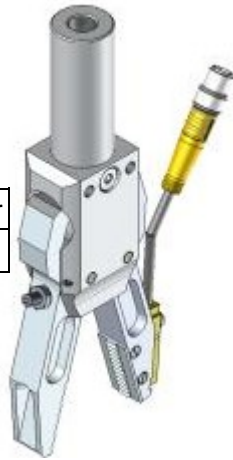
**GTS.1003 Ø 14      GTS.1004 Ø 20**

Closing force (6 bar) GTS.1003 = 45 N    GTS.1004 = 90 N

Jaws in STEEL

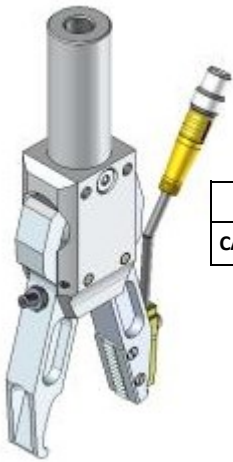
**New**

	Body	Open	Sensor
CA.GTS.1004.125L	Ø 20	36	PNP

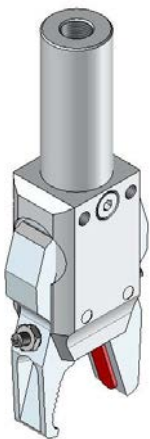


**New**

	Body	Open	Sensor
CA.GTS.1004.145L	Ø 20	36	PNP



	Body	Open	
CA.GTS.1003.2929	Ø 14	16	
CA.GTS.1004.2929	Ø 20	25	



	Body	Open	
CA.GTS.1003.1417	Ø 14	16	
CA.GTS.1004.1417	Ø 20	25	

**New**

	Body	Open	
CA.GTS.1003.1313	Ø 14	16	
CA.GTS.1004.1313	Ø 20	25	



**Jaws in Steel**

**GTS.03 for sprue grippers 14**

**GTS.04 for sprue grippers 20**



	M*	M*1
GTS.03.17	CA.GTS.1003	GTS.03.G18
GTS.04.17	CA.GTS.1004	GTS.04.G18

	M*	M*1
GTS.03.19	CA.GTS.1003	GTS.03.G18
GTS.04.19	CA.GTS.1004	GTS.04.G18



	M*	M*1
GTS.03.29	CA.GTS.1003	GTS.03.G18
GTS.04.29	CA.GTS.1004	GTS.04.G18

	M*	M*1	Sensor
GTS.04.15.L	CA.GTS.1004	GTS.04.G18	PNP
GTS.04.15.LN	CA.GTS.1004	GTS.04.G18	NPN



	M*	M*1	Sensor
GTS.03.15	CA.GTS.1003	GTS.03.G18	PNP
GTS.03.15.N	CA.GTS.1003	GTS.03.G18	NPN
GTS.04.15	CA.GTS.1004	GTS.04.G18	PNP
GTS.04.15.N	CA.GTS.1004	GTS.04.G18	NPN

	M*	M*1
GTS.04.12.L	CA.GTS.1004	GTS.04.G18



	M*	M*1
GTS.03.12	CA.GTS.1003	GTS.03.G18
GTS.04.12	CA.GTS.1004	GTS.04.G18

	M*	M*1
GTS.04.14.L	CA.GTS.1004	GTS.04.G18



	M*	M*1
GTS.03.14	CA.GTS.1003	GTS.03.G18
GTS.04.14	CA.GTS.1004	GTS.04.G18

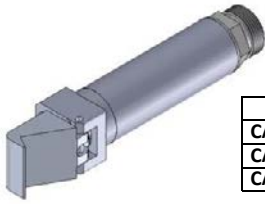
	M*	M*1
GTS.03.13	CA.GTS.1003	GTS.03.G18
GTS.04.13	CA.GTS.1004	GTS.04.G18



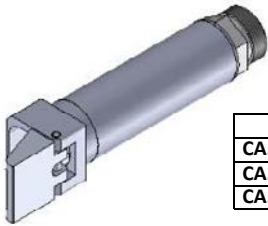
For any further information, please refer to drawings on [www.fps-eoat.it](http://www.fps-eoat.it) Drawings not to scale

### Gripper Finger

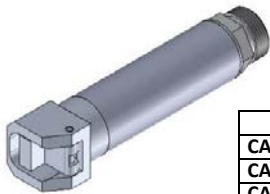
GRF.14.... Ø 14  
GRF.20.... Ø 20  
GRF.30.... Ø 30



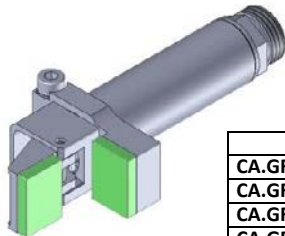
CA.GRF.1435		26 N	25 g
CA.GRF.2035	35°	100 N	65 g
CA.GRF.3035		430 N	206 g



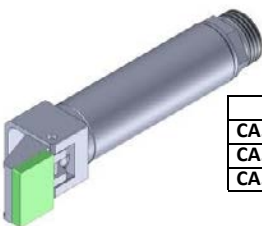
CA.GRF.1495		19 N	25 g
CA.GRF.2095	95°	70 N	60 g
CA.GRF.3095		300 N	193 g



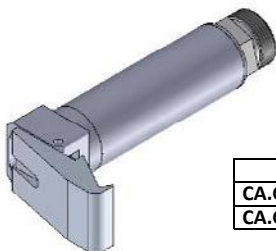
CA.GRF.1490		19 N	25 g
CA.GRF.2090	90°	70 N	65 g
CA.GRF.3090		300 N	185 g



CA.GRF.1495.G		19 N	28 g
CA.GRF.2095.G	95°	70 N	75 g
CA.GRF.3095.G		300 N	235 g
CA.GRF.3095.G40		300 N	299 g

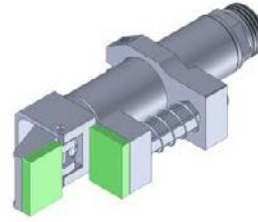


CA.GRF.1495.GW		19 N	25 g
CA.GRF.2095.GW	95°	70 N	60 g
CA.GRF.3095.GW		300 N	193 g



CA.GRF.2035.WE		100 N	76 g
CA.GRF.3035.WE	35°	430 N	259 g

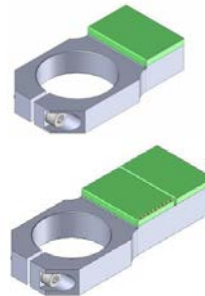
### Gripper Finger



CA.GRF.1495.VSX		19 N	35 g
CA.GRF.2095.VSX	95°	70 N	85 g
CA.GRF.3095.VSX		300 N	280 g

### Stopper with suspension for grippers

		M*	
GRF14.VSX	14	CA.GRF.14...	15 g
GRF20.VSX	20	CA.GRF.20...	20 g
GRF30.VSX	30	CA.GRF.30...	50 g

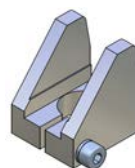
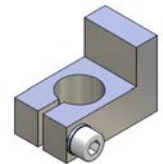


### Stopper for Grippers

		M*	
GRF14.95.0708	14	CA.GRF.14..	5 g
GRF20.95.0708	20	CA.GRF.20..	14 g
GRF20.95.0708.30		18 g	
GRF30.95.0708	30	CA.GRF.30..	33 g
GRF30.95.0708.40		62 g	

### Stopper for Gripper

		M*	
CA.ANS.14	14	CA.GRF.14..	17 g
CA.ANS.20	20	CA.GRF.20..	21 g
CA.ANS.30	30	CA.GRF.30..	30 g



### Gripper Guide

		M*	
CA.ZTS.14	14	CA.GRF.14..	15 g
CA.ZTS.20	20	CA.GRF.20..	20 g
CA.ZTS.30	30	CA.GRF.30..	60 g

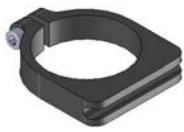
### Pads For a Soft Contact (Viton)

		M*	
GRF14.95.08.V	14	CA.GRF.14..	1 g
GRF20.95.08.V	20	CA.GRF.20..	2 g
GRF30.95.08.V	30	CA.GRF.30..	3 g



For any further information, please refer to drawings on [www.fps-eoat.it](http://www.fps-eoat.it) Drawings not to scale

**Sensor Mounting Bracket**



		M*	Sensor
CA.SMT.14	14	CA.GRF.14..	KT38.... KT58....
CA.SMT.20	20	CA.GRF.20..	
CA.SMT.30	30	CA.GRF.30..	

**New**

		M*	Sensor
CA.SML.14	14	CA.GRF.14..	KT38.... KT58....
CA.SML.20	20	CA.GRF.20..	
CA.SML.30	30	CA.GRF.30..	



		M*	Sensor
CA.TIK.14007	14	CA.GRF.14..	KT38.... KT58....
CA.TIK.20007	20	CA.GRF.20..	
CA.TIK.30007	30	CA.GRF.30..	

**Sensor**

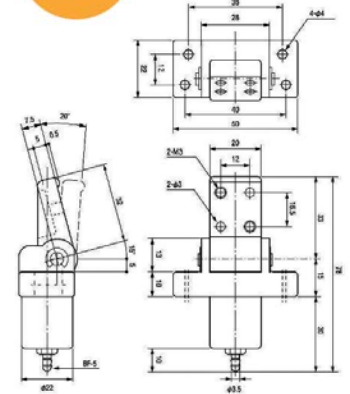
Sensor with cable		4 g
KT38PM8	3 wires electronic PNP normally Open M8 plug connector	
KT38P3M	3 wires electronic PNP normally Open mt 3 cable	
KT38NM8	3 wires electronic NPN normally Open M8 plug connector	
KT38N3M	3 wires electronic NPN normally Open mt 3 cable	

**KT38.....**

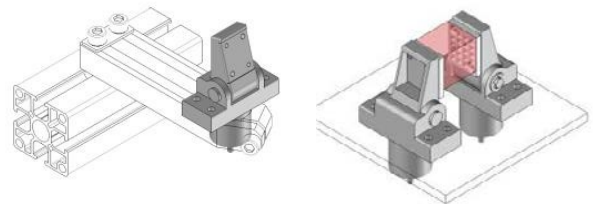


**Gripper Finger PPM**

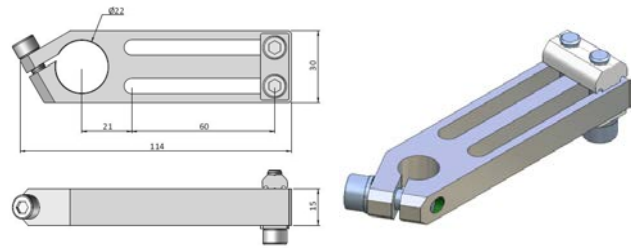
**New**



		M*	
CA.PPM.2220.G	With Soft Pad	22	CA.WSL.2260.VU.X 45 g
CA.PPM.2220	Without Soft Pad		

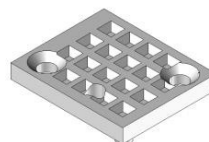


**Long Angle Clamp Heavy Duty**



		M*
CA.WSL.2260.VU.X	CA.PPM.2220.G	115 g
	CA.PPM.2220	

**Soft Pad**

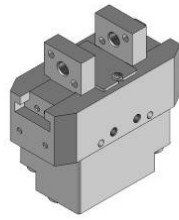


		M*
PPM22.08.S	CA.PPM.2220.G	1 g
	CA.PPM.2220	

For any further information, please refer to drawings on [www.fps-eoat.it](http://www.fps-eoat.it) Drawings not to scale

## CGSP Micro Parallel Gripper

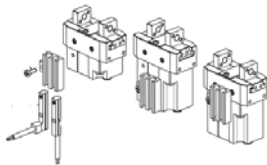
**New**



NC Normal Clouse  
NO Normal Open

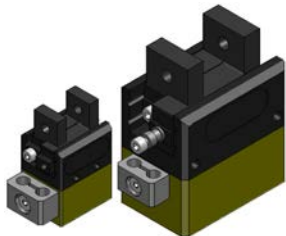
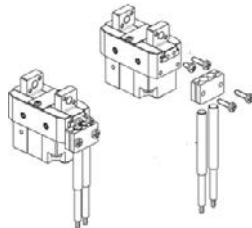
	Stroke	Opening total gripping force	Closing total gripping force	
CA.CGSP.20	4	44 N	36 N	34 g
CA.CGSP.20.NC		38 N	46 N	42 g
CA.CGSP.20.NO		54 N	30 N	40 g
CA.CGSP.25	6	84 N	70 N	51 g
CA.VGSP.25.NC		76 N	86 N	66 g
CA.CGSP.25.NO		98 N	62 N	61 g
CA.CGSP.32	8	61 N	104 N	99 g
CA.CGSP.32.NC		106 N	126 N	126 g
CA.CGSP.32.NO		142 N	88 N	120 g
CA.CGSP.40	12	184 N	154 N	163 g
CA.CGSP.40.NC		152 N	188 N	238 g
CA.CGSP.40.NO		214 N	124 N	219 g

### CGSP Bracket for sensor



	M*	Sensor (optional)
CA.M.SGSP.20	CA.CGSP.20	KT58.. KT38..
CA.M.SGSP.25	CA.CGSP.25	
CA.M.SGSP.32	CA.CGSP.32	
CA.M.SGSP.40	CA.CGSP.40	

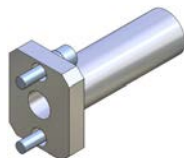
	M*	Sensor (optional)
CA.I.SGSP.20	CA.CGSP.20	MMD.AA1.. MMD.AC1..
CA.I.SGSP.25	CA.CGSP.25	
CA.I.SGSP.32	CA.CGSP.32	
CA.I.SGSP.40	CA.CGSP.40	



## MPG Micro Parallel Gripper

	Stroke	Opening total gripping force	Closing total gripping force	
CA.MPG.20	4	24 N	28 N	40 g
CA.MPG.25	6	28 N	31 N	60 g
CA.MPG.32	8	55 N	65 N	120 g
CA.MPG.40	12	90 N	110 N	200 g
CA.MPG.50	16	155 N	175 N	350 g
CA.MPG.64	20	190 N	200 N	600 g

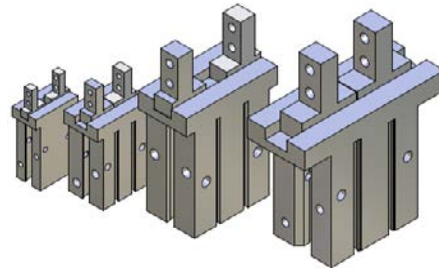
### Adapter for Parallel Gripper MPG



		M*	
CA.APG.20.10.30	∅ 10	CA.MPG.20/CA.SGSP.20	8 g
CA.APG.25.14.40	∅ 14	CA.MPG.25/CA.SGSP.25	16 g
CA.APG.32.14.40		CA.MPG.32/CA.SGSP.32	23 g
CA.APG.40.14.50	∅ 20	CA.MPG.40/CA.SGSP.40	22 g
CA.APG.40.20.50		CA.MPG.40/CA.SGSP.40	30 g
CA.APG.50.20.50	∅ 20	CA.MPG.50	48 g
CA.APG.65.20.50		CA.MPG.64	63 g

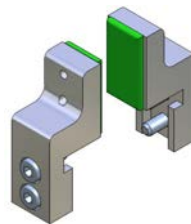
## GS Parallel Gripper Easy

NC Normal Clouse  
NO Normal Open  
L Larger opening



	Bore size	Stroke	Opening gripping force	Closing gripping force	
CA.09.05.009	10	4	22 N	34 N	55 g
CA.09.05.009.NC					60 g
CA.09.05.009.NO					
CA.09.05.009.L	8				
CA.09.05.010	16	6	68 N	90 N	124 g
CA.09.05.010.NC					135 g
CA.09.05.010.NO					
CA.09.05.010.L	12				
CA.09.05.011	20	10	84 N	132 N	235 g
CA.09.05.011.NC					270 g
CA.09.05.011.NO					
CA.09.05.011.L	18				
CA.09.05.012	25	14	130 N	208 N	430 g
CA.09.05.012.NC					470 g
CA.09.05.012.NO					
CA.09.05.012.L	22				
CA.09.05.013	32	22	316 N	386 N	715 g
CA.09.05.014	40	30	508 N	636 N	1275 g

For any further information, please refer to drawings on [www.fps-eoat.it](http://www.fps-eoat.it) Drawings not to scale



### KB Jaws for Parallel Gripper GS (complete)

	Insert	M*	
CA.KB.10	GRF14.95.08.V	CA.09.05.009/L	14 g
CA.KB.16	GRF20.95.08.V	CA.09.05.010/L	28 g
CA.KB.20	PAC.20.16P.03.V	CA.09.05.011/L	41 g
CA.KB.25		CA.09.05.012/L	73 g
CA.KB.32	GRF30.95.08.V	CA.09.05.013	166 g

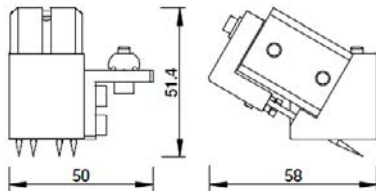
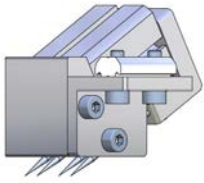
### APGE Adapter for Parallel Gripper Easy

	A	M*	
CA.APGE.10.10.30	∅ 10	CA.09.05.009/L	11 g
CA.APGE.16.14.40	∅ 14	CA.09.05.010/L	21 g
CA.APGE.20.20.50	∅ 20	CA.09.05.011/L	38 g
CA.APGE.25.20.50		CA.09.05.012/L	55 g
CA.APGE.32.20.50		CA.09.05.013	102 g
CA.APGE.40.20.50		CA.09.05.014	140 g

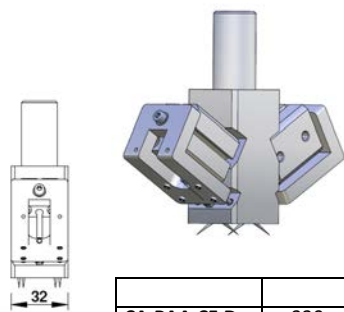
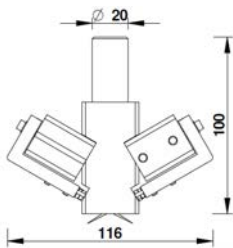




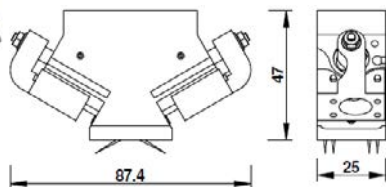
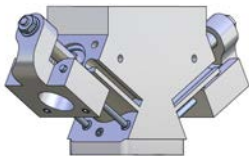
**PAA Needle gripper**



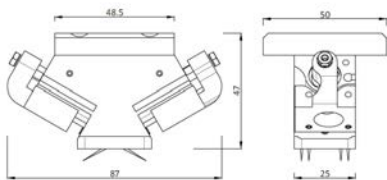
CA.PAA.AP.D	135 g
-------------	-------



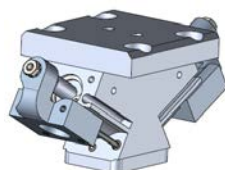
CA.PAA.CF.D	320 g
-------------	-------



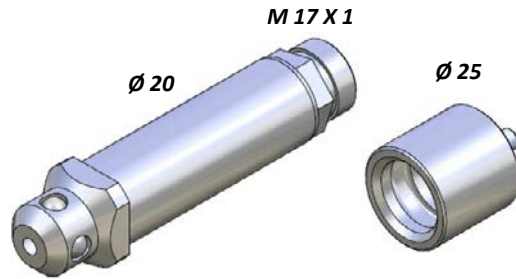
CA.PAA.SP	132 g
-----------	-------



CA.PAA.CP	155 g
-----------	-------

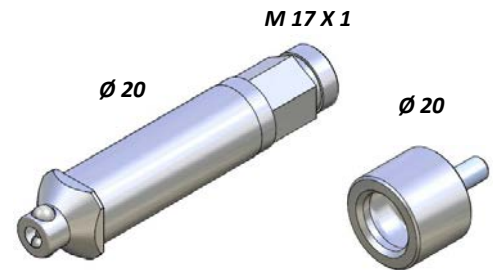


**Centering Locking Unit With Balls**



N° 4 Balls

CA.AGP.20.G	Gripper side	93 g
CA.AGP.20.M	Mould side	60 g



N° 2 Balls

CA.AGP.20.G.20	Gripper side	66 g
CA.AGP.20.M.20	Mould side	30 g

**Pneumatic Tilt 300 N**

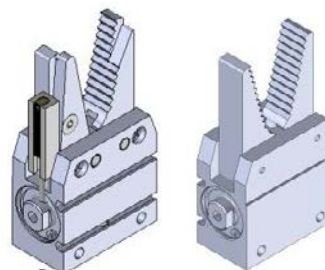
CA.RBL.30	0—90°	Ø 30 mm	270 g
-----------	-------	---------	-------



Open 27 mm

**Selfcentering Sprue Gripper**

Closing force (8 bar) 250 N

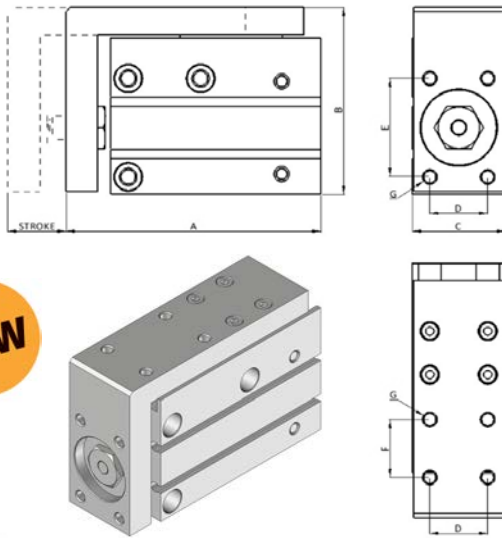


CA.APG.40.14.50	D.14
-----------------	------

CA.GZA.AA24	-	Double effect	115 g
CA.GZA.AA24.NO	-	Normally Open	
CA.GZA.AA24.NOS2	2 WIRES		151 g
CA.GZA.AA24.NOSN	NPN		
CA.GZA.AA24.NOSP	PNP		

For any further information, please refer to drawings on [www.fps-eoat.it](http://www.fps-eoat.it) Drawings not to scale

### Slide table cilinder



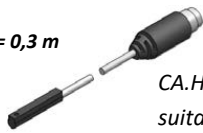
**New**

	SIZE	STROKE	A	B	C	D	E	F	G	WEIGHT
CA.HLH.06.10	Ø6	10	49	39	16	9	15	10	M3	66 g
CA.HLH.06.20		20	59					20		80 g
CA.HLH.06.30		30	69					30		93 g
CA.HLH.10.10	Ø10	10	56	47	20	11	18	10	M4	112 g
CA.HLH.10.20		20	66					20		133 g
CA.HLH.10.30		30	76					30		153 g
CA.HLH.16.10	Ø16	10	66	53	25	16	26	10	M5	204 g
CA.HLH.16.20		20	76					20		232 g
CA.HLH.16.30		30	86					30		260 g
CA.HLH.20.10	Ø20	10	78	64	32	20	34	10	M5	369 g
CA.HLH.20.20		20	88					20		417 g
CA.HLH.20.30		30	98					30		466 g

L = 3 m



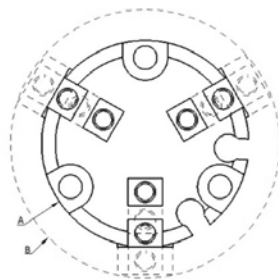
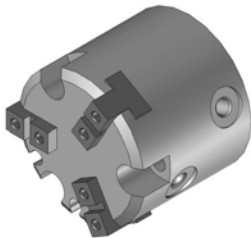
L = 0,3 m



CA.HLH and CA.MHS are suitable for sensors KT58

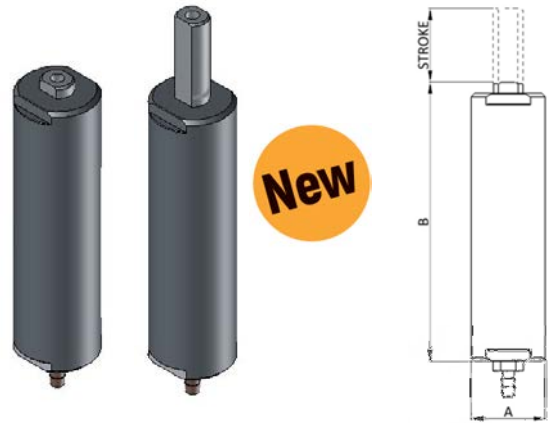
### Parallel gripper 3 jaws self centering

**New**



	STROKE	A	B	C	WEIGHT
CA.MHS.16	4	Ø30	Ø39	35	60 g
CA.MHS.20	4	Ø36	Ø45	38	100 g
CA.MHS.25	6	Ø42	Ø55	40	140 g

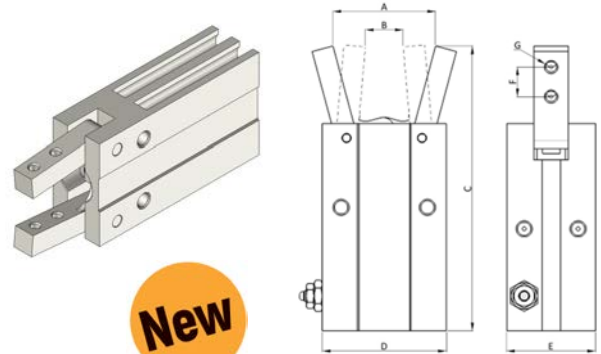
### Cylinder for pipe attachment



**New**

	A	B	STROKE	WEIGHT
CA.CDN.2010	Ø20	65	10	40 g
CA.CDN.2020		75	20	46 g
CA.CDN.2030		85	30	50 g

### Angular gripper



**New**

	A	B	C	D	E	F	G	SIZE	WEIGHT
CA.HFY.06	18	7	47	20	10	5	M2	Ø6	34 g
CA.HFY.10	19	7	52	23	16	6	M2,5	Ø10	36 g
CA.HFY.16	28	12	62	30	23	7	M3	Ø16	59 g
CA.HFY.20	37	17	78	42	27	9	M4	Ø20	64 g
CA.HFY.25	46	19	92	52	33	12	M5	Ø25	155 g
CA.HFY.32	53	25	96	62	40	14	M6	Ø32	161 g

L = 2 m

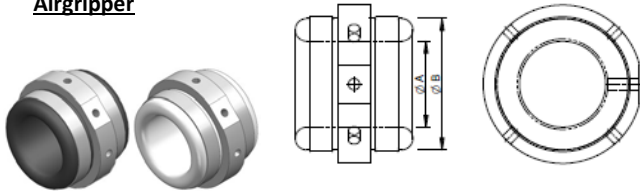


	Type	
ATC.DMSGP020	PNP	-
ATC.DMSGN020	NPN	-

For any further information, please refer to drawings on [www.fps-eoat.it](http://www.fps-eoat.it) Drawings not to scale

For any further information, please refer to drawings on [www.fps-eoat.it](http://www.fps-eoat.it) Drawings not to scale

### Airripper

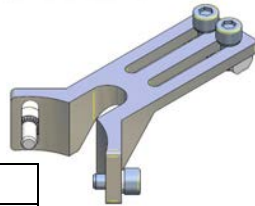


		Working range	Maximum operating air pressure	A	B	
CA.09.13.05.15	Neoprene	5-15 mm	1,5 bar	19	33	60 g
CA.09.13.05.15.S	Silicone		1,0 bar			
CA.09.13.10.25	Neoprene	10-25 mm	1,5 bar	27	48	145 g
CA.09.13.10.25.S	Silicone		1,0 bar			
CA.09.13.15.35	Neoprene	15-35 mm	1,5 bar	37	58	210 g
CA.09.13.15.35.S	Silicone		1,0 bar			
CA.09.13.20.45	Neoprene	20-45 mm	1,5 bar	48	69	285 g
CA.09.13.20.45.S	Silicone		1,0 bar			

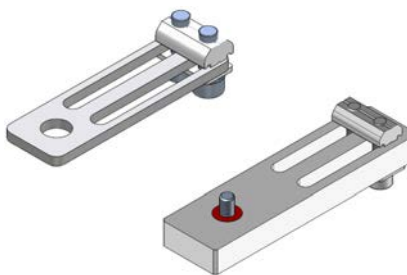


### Mounting Brackets

	M*	M1	
CA.09.17.0515.X	CA.09.13.05.15 CA.X../JU		31 g
CA.09.17.1025.X	CA.09.13.10.25 CA.X../JU		46 g
CA.09.17.1535.X	CA.09.13.15.35 CA.X../JU		57 g
CA.09.17.2045.X	CA.09.13.20.45 CA.X../JU		69 g

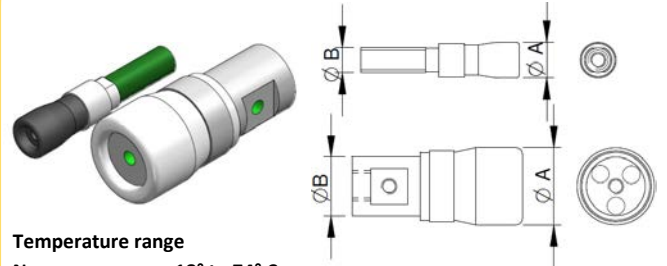


### Air Hand Mounting Brackets



	M*	M1	
CA.04.20.06.X	CA.09.14.06 CA.09.14.07	CA.L../CA.X..	34 g
CA.04.20.08.X	CA.09.14.09		35 g
CA.09.18.1014.X	CA.09.14.10 CA.09.14.14	CA.X../CA.JU..	41 g
CA.09.18.1719.X	CA.09.14.14 CA.09.14.17		50 g
CA.09.18.2225.X	CA.09.14.22 CA.09.14.25	CA.X../CA.JU..	52 g
CA.09.18.35.JU	CA.09.14.35		78 g
CA.09.18.4555.JU	CA.09.14.45 CA.09.14.55		102 g

### Airpicker



### Temperature range

Neoprene -18° to 74° C  
Silicone -30° to 160° C

For any further information, please refer to drawings on [www.fps-eoat.it](http://www.fps-eoat.it) Drawings not to scale

		Working range	Maximum operating air pressure	A	B	
CA.09.14.06	Neoprene	8.5-10 mm	4 bar	8	M6	8 g
CA.09.14.07		10-12 mm		9.5		12 g
CA.09.14.09		12-17 mm		11	M8X1.25	17 g
CA.09.14.10		16-21 mm		14	Ø10	28 g
CA.09.14.14	Neoprene	21-27 mm	5 bar	19	Ø14	60 g
CA.09.14.14.S	Silicone		1,8 bar			
CA.09.14.17	Neoprene	24-32 mm	5 bar	22	Ø17	85 g
CA.09.14.17.S	Silicone		1,8 bar			
CA.09.14.19	Neoprene	28-36 mm	5 bar	25	Ø19	105 g
CA.09.14.19.S	Silicone		1,8 bar			
CA.09.14.22	Neoprene	30-44 mm	5 bar	27	Ø22	160 g
CA.09.14.22.S	Silicone		1,8 bar			
CA.09.14.25	Neoprene	32-52 mm	5 bar	29	Ø25	245 g
CA.09.14.25.S	Silicone		1,8 bar			
CA.09.14.35	Neoprene	45-65 mm	5 bar	41	Ø34	180 g
CA.09.14.35.S	Silicone		1,8 bar			
CA.09.14.45	Neoprene	58-85 mm	5 bar	51	Ø44	370 g
CA.09.14.55	Neoprene	70-105 mm	5 bar	63	Ø54	610 g



### Protective Sleeve

	M*	
CA.09.15.001	CA.09.14.14	1 g
CA.09.15.002	CA.09.14.17	
CA.09.15.003	CA.09.14.19	
CA.09.15.004	CA.09.14.22	
CA.09.15.005	CA.09.14.25	2 g
CA.09.15.006	CA.09.14.35	
CA.09.15.007	CA.09.14.45	
CA.09.15.008	CA.09.14.55	



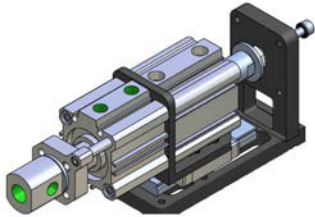
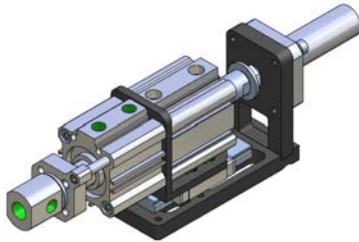
### Nose Cones



	M*	
CA.09.16.001	CA.09.14.10	3 g
CA.09.16.002	CA.09.14.14	5 g
CA.09.16.003	CA.09.14.17	6 g
CA.09.16.004	CA.09.14.19	
CA.09.16.005	CA.09.14.22	7 g
CA.09.16.006	CA.09.14.25	8 g
CA.09.16.007	CA.09.14.35	10 g
CA.09.16.008	CA.09.14.45	12 g
CA.09.16.009	CA.09.14.55	14 g

**BVAE Movable Vacuum Unit Double Stroke Guided**

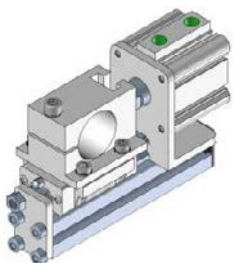
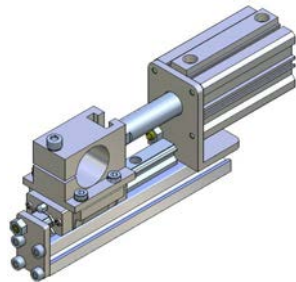
CA.BVAE.32201020	1043 g
CA.BVAE.32201025	1073 g



CA.BVAE.322010	988 g
----------------	-------

**HEH Linear Stroke Unit**

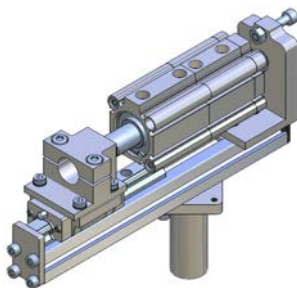
CA.HEH.20.50	∅ 20	1130 g
CA.HEH.30.50	∅ 30	1100 g



CA.HEH.20.100	∅ 20	
CA.HEH.30.10	∅ 30	

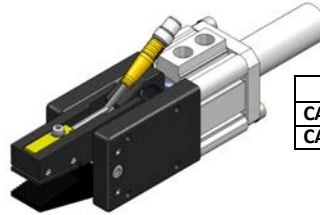
**UDHE Double Stroke Unit**

CA.UDHE.32102020	∅ 20	1375 g
CA.UDHE.32203020	∅ 30	1455 g



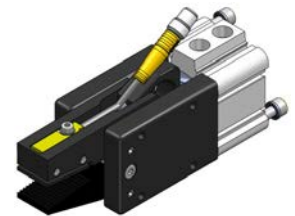
**GZ.32 Large-Gripper for Pulling With Sensor**

Closing force (6 bar) 350 N

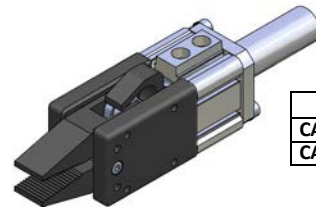


	Open	
CA.GZ.3220.S	12,5	563 g
CA.GZ.3225.S	12.5	591 g

	Open	
CA.GZ.32.S	12.5	509 g

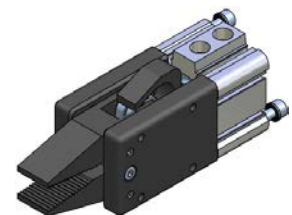


**GZ.32 Large-Gripper for Pulling**

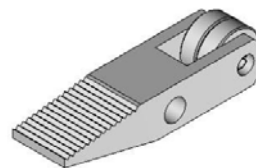


	Open	
CA.GZ.3220	12,5	563 g
CA.GZ.3225	12.5	591 g

	Open	
CA.GZ.32	12.5	509 g

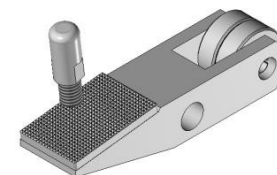
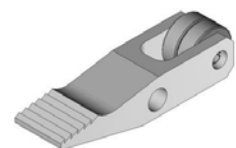


**Jaws**



CA.GZ.32.FINGER

CA.GZ.32.FING.19



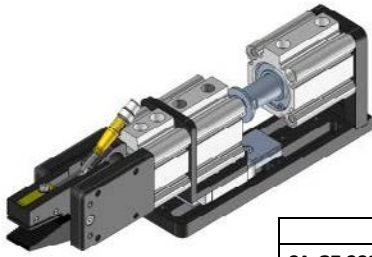
CA.GZ.32.FING.G

CA.GZ.32.FING.S



For any further information, please refer to drawings on [www.fps-eoat.it](http://www.fps-eoat.it) Drawings not to scale

### GZ.32 Pull Gripper With Double Stroke & Sensor

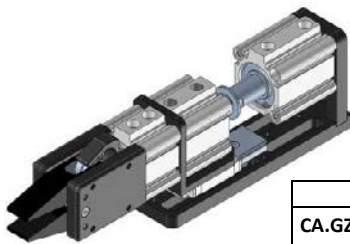


	Open	
CA.GZ.322010.S	12.5	1400 g

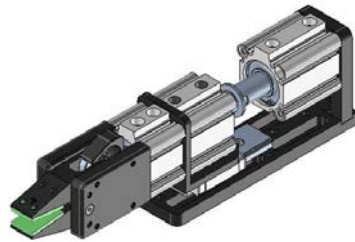
### GZ.32 Pull Gripper With Double Stroke



	Open	
CA.GZ.32201020	12.5	1455 g
CA.GZ.32201025	12.5	1485 g



	Open	
CA.GZ.322010	12.5	1400 g



	Open	
CA.GZ.322010.G	12.5	1400 g

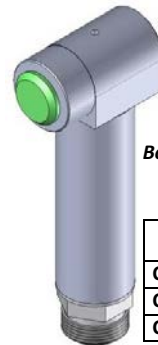
### DB Stroke Reducer



	C	M*	
CA.DB.05.25	5	Cylinder 25	1 g
CA.DB.10.25	10		2 g
CA.DB.15.25	15		4 g
CA.DB.05.32	5	Cylinder 32	1 g
CA.DB.10.32	10		2 g
CA.DB.15.32	15		3 g



### PMA Side Stroking Gripper Finger

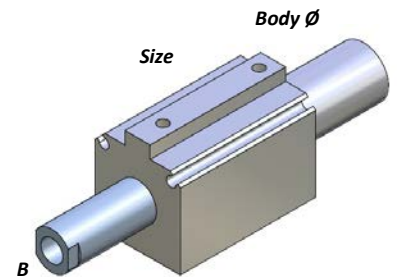


PPS.1406.07.V
PPS.2010.07.V
PPS.3015.07.V

Body Ø

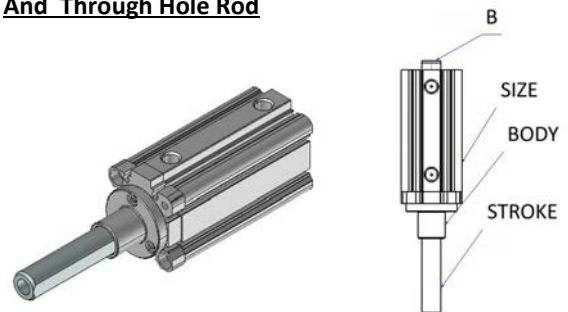
	Stroke	Body	Gripping force (at 6 bar)	
CA.PMA.1406	6	Ø 10	63 N	47 g
CA.PMA.2010	10	Ø 20	115 N	115 g
CA.PMA.3015	15	Ø 30	230 N	380 g

### JDR Pneumatic Cylinder With Non-Rotative And Through Hole Rod



	Body	Stroke	Size	B	
CA.JDR.141005	Ø 14	10	20	M5	54 g
CA.JDR.142505		25			76 g
CA.JDR.201005		10			63 g
CA.JDR.301518	Ø 20	15	30	G1/8	112 g
CA.JDR.303018		30			150 g
CA.JDR.305018		50			200 g

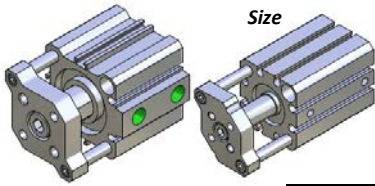
### KHZ Pneumatic Cylinder With Non-Rotative And Through Hole Rod



	Body	Stroke	Size	B	
CA.KHZ.20141005	Ø 14	10	20	M5	135 g
CA.KHZ.20143005		30			250 g
CA.KHZ.32201518	Ø 20	15	32	G1/8	399 g
CA.KHZ.32203018		30			483 g
CA.KHZ.32205018		50			602 g

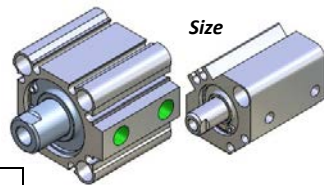
For any further information, please refer to drawings on [www.fps-eoat.it](http://www.fps-eoat.it) Drawings not to scale

**Compact Pneumatic Cylinder With Non-Rotative**



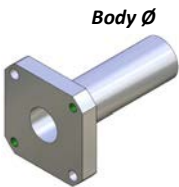
	Size	Stroke	
CA.11.17.001	12	10	59 g
CA.11.17.002		20	77 g
CA.11.17.003	16	10	77 g
CA.11.17.004		20	97 g
CA.11.17.005	20	10	138 g
CA.11.17.006		20	168 g
CA.11.17.007	25	10	186 g
CA.11.17.008		20	223 g
CA.11.17.009	32	10	264 g
CA.11.17.010		20	309 g

**Compact Pneumatic Cylinder**



	Size	Stroke	
CA.11.18.001	12	10	44 g
CA.11.18.002		20	69 g
CA.11.18.003	16	10	68 g
CA.11.18.004		20	89 g
CA.11.18.005	20	10	106 g
CA.11.18.006		20	138 g
CA.11.18.007	25	10	148 g
CA.11.18.008		20	186 g
CA.11.18.009	32	10	231 g
CA.11.18.010		20	285 g

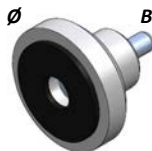
**Adapter for Cylinder**



	Body	M* (Size Cylinder)	
CA.ADZ.12.14	Ø 14	12	19 g
CA.ADZ.16.14		16	25 g
CA.ADZ.20.14		20	32 g
CA.ADZ.25.20	Ø 20	25	55 g
CA.ADZ.32.20		32	74 g
CA.ADZ.32.20.90	Ø 25	32	74 g
CA.ADZ.32.25		32	85 g

**Cylinder Buffer**

		B	M* (Size Cylinder)	
CA.11.04.001	Ø 20	M3	12	5 g
CA.11.04.002	Ø 25	M4	16	10 g
CA.11.04.003	Ø 30	M5	20	17 g
CA.11.04.004	Ø 35	M6	25	28 g
CA.11.04.005	Ø 40	M8	32	46 g
CA.11.04.006	Ø 20	M5		7 g
CA.11.04.007	Ø 40	G1/8	KHZ/JDR	40 g



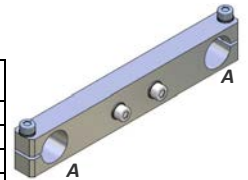
**Adapter For Cylinder/Vacuum Cup**



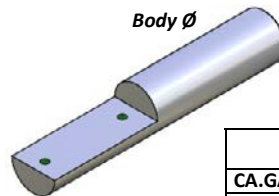
	A	B	M* (Size Cylinder)	
CA.11.15.001	G1/8	M4	16	13 g
CA.11.15.002		M6	25	15 g
CA.11.15.003	G1/4	M6	25	24 g
CA.11.15.004	G1/8	M5	20	21 g
CA.11.15.005	G1/4	M8	32	22 g

**Mounting Bracket For Cylinder/Suction Cup Arm**

	A	M* (Size Cylinder)	
CA.KBH.12.10.60	10	12	33 g
CA.KBH.16.14.90	14	16	56 g
CA.KBH.16.16.125	16		88 g
CA.KBH.20.14.90	14	20	58 g
CA.KBH.20.16.125	16		90 g
CA.KBH.25.16.125	16	25	94 g
CA.KBH.32.20.125	20	32	156 g



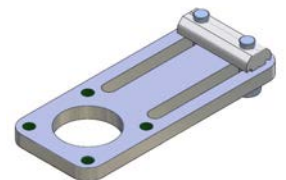
**GAZ Gripper Arm For Cylinder**



	Body	M* (Size Cylinder)	
CA.GAZ.12.10.60	Ø 10	12	17 g
CA.GAZ.16.14.60	Ø 14	16	27 g
CA.GAZ.20.20.60	Ø 20	20	56 g
CA.GAZ.25.20.60		25	59 g
CA.GAZ.32.20.60		32	62 g

**Bracket for Cylinder**

	M* (Size Cylinder)	
CA.11.08.001.X	12	35 g
CA.11.08.002.X	16	
CA.11.08.003.X	20	49 g
CA.11.08.004.X	25	52 g
CA.11.08.005.X	32	60 g



M8 - 3 PINS

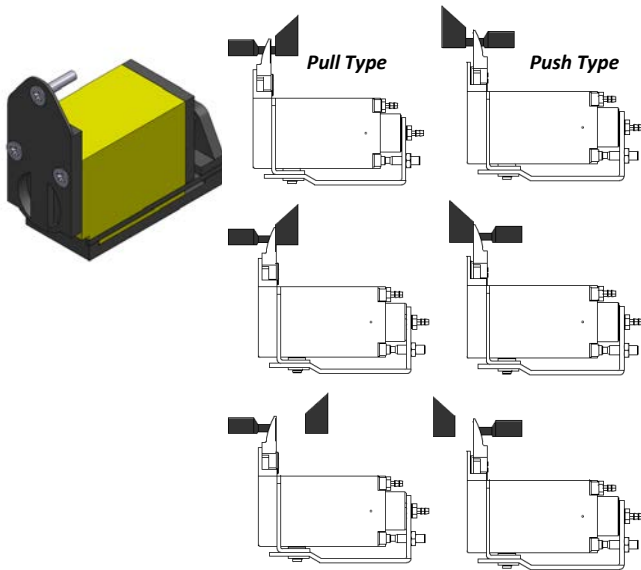
KT58PM8	PNP
KT58NM8	NPN

KT58P3M	PNP
KT58N3M	NPN



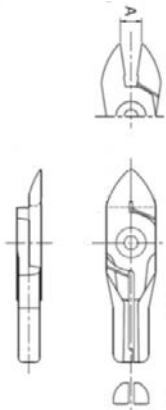
For any further information, please refer to drawings on [www.fps-eoat.it](http://www.fps-eoat.it) Drawings not to scale

### SN Slide Air Nippers Horizontal



	Type	Size	Cutting capacity	
CA.SN3	PULL	3	2 $\varnothing$ mm	170 g
CA.SNP3	PUSH			
CA.SN5	PULL	5	3 $\varnothing$ mm	220 g
CA.SNP5	PUSH			
CA.SN10	PULL	10	4 $\varnothing$ mm	300 g
CA.SNP10	PUSH			
CA.SN20	PULL	20	5 $\varnothing$ mm	595 g
CA.SNP20	PUSH			

### Blades FN



#### Pull Type

	M*	A	
CA.FN10	CA.SN3	3.5	25 g
CA.FN1	CA.SN5	5.5	30 g
CA.FN3	CA.SN10	7	60 g
CA.FN5	CA.SN20	8.5	100 g

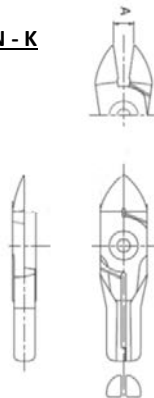
#### Push Type

	M*	A	
CA.FNP10	CA.SNP3	3.5	30 g
CA.FNP1	CA.SNP5	5.5	35 g
CA.FNP3	CA.SNP10	7	60 g
CA.FNP5	CA.SNP20	8.5	110 g

### Blades FN - K

#### Pull Type

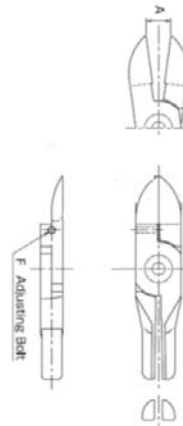
	M*	A	
CA.FN10K	CA.SN3	3.5	30 g
CA.FN1K	CA.SN5	5.5	
CA.FN3K	CA.SN10	7.5	60 g
CA.FN5K	CA.SN20	8.5	110 g



### Blades FN - L

#### Pull Type

	M*	A	
CA.FN10L	CA.SN3	5.5	35 g
CA.FN1L	CA.SN5	8	40 g
CA.FN3L	CA.SN10	9.5	65 g
CA.FN5L	CA.SN20	10	115 g



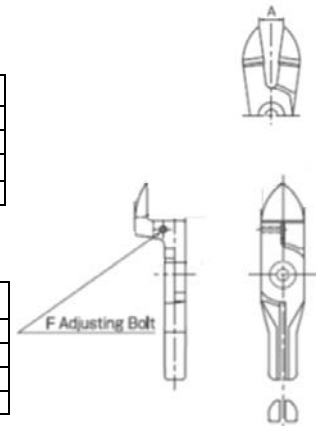
### Blades FN - C

#### Pull Type

	M*	A	
CA.FN10C	CA.SN3	5.2	50 g
CA.FN1C	CA.SN5	9	60 g
CA.FN3C	CA.SN10	10	70 g
CA.FN5C	CA.SN20		155 g

#### Push Type

	M*	A	
CA.FNP10C	CA.SNP3	5.2	50 g
CA.FNP1C	CA.SNP5	8.6	60 g
CA.FNP3C	CA.SNP10	9.8	70 g
CA.FNP5C	CA.SNP20	10	155 g



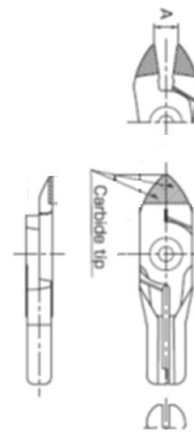
### Blades ZF

#### Pull Type

	M*	A	
CA.ZFN10	CA.SN3	3.5	30 g
CA.ZFN1	CA.SN5	5.5	35 g
CA.ZFN3	CA.SN10	7	60 g
CA.ZFN5	CA.SN20	8.5	110 g

#### Push Type

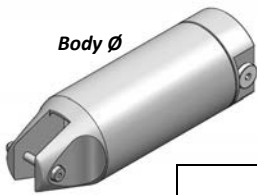
	M*	A	
CA.ZFNP10	CA.SNP3	3.5	30 g
CA.ZFNP1	CA.SNP5	5.5	35 g
CA.ZFNP3	CA.SNP10	7	60 g
CA.ZFNP5	CA.SNP20	8.5	110 g



For any further information, please refer to drawings on [www.fps-eoat.it](http://www.fps-eoat.it) Drawings not to scale



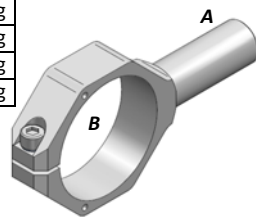
**ATE Nipper Body**



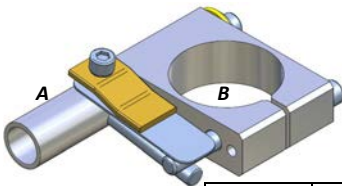
	Size	Body	Closing Force	
CA.ATE.05M	05	Ø 30	11 Nm	97 g
CA.ATE.10M	10	Ø 36	38 Nm	147 g
CA.ATE.20M	20	Ø 45	67 Nm	255 g
CA.ATE.30AM	30	Ø 56	150 Nm	452 g
CA.ATE.50AM	50	Ø 75	116 Nm	911 g

**STF Mounting Bracket**

	A	B	M*	
CA.STF.30	Ø 20	30	MR.05 / ATE.05	91 g
CA.STF.36		36	MR.10 / ATE.10	95 g
CA.STF.45		45	MR.20 / ATE.20	102 g
CA.STF.56		56	MR.30 / ATE.30	117 g
CA.STF.75	Ø 30	75	MR.50 / ATE.50	275 g



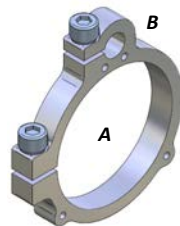
**STA Spring Mounting Bracket**



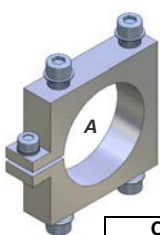
	A	B	M*	
CA.STA.45	Ø 20	45	MR.20 / ATE.20	275 g
CA.STA.56	Ø 20	56	MR.30 / ATE.30	322 g
CA.STA.75	Ø 20	75	MR.50 / ATE.50	443 g

**SAT Combination Clamp For Sprue Gripper Cutter**

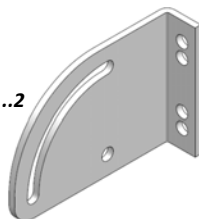
	A	B	M*	
CA.SAT.3610	36	10	MR.05 / ATE.10	27 g
CA.SAT.4510	45		MR.20 / ATE.20	30 g
CA.SAT.5610	56	14	MR.30 / ATE.30	43 g
CA.SAT.5614		14		37 g
CA.SAT.5620		20		57 g
CA.SAT.7510	75	10	MR.50 / ATE.50	43 g
CA.SAT.7514		14		45 g
CA.SAT.7520		20		49 g



**Swivel Bracket For Nipper Bodies**



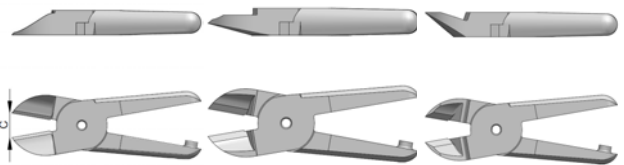
CA.....1



CA.....2

CA.....1	CA.....2	A	M*	
CA.04.10.30.1	CA.04.10.30.2	30	MR.05 / ATE.05	87 g
CA.04.10.36.1	CA.04.10.36.2	36	MR.10 / ATE.10	97 g
CA.04.10.45.1	CA.04.10.45.2	45	MR.20 / ATE.20	115 g
CA.04.10.56.1	CA.04.10.56.2	56	MR.30 / ATE.30	136 g
CA.04.10.75.1	CA.04.10.75.2	75	MR.50 / ATE.50	188 g

**VES Nipper Blades for ATE**



Inline Standard - Plastic cutting Deep angle

	M*	Style	C	
VES.N5AP	CA.ATE.05	Standard	4	40 g
VES.N10LAP	CA.ATE.10		5	120 g
VES.N10LPF	CA.ATE.20	Deep angle	11	125 g
VES.N20AP		Standard		
VES.N20AJ		Inline	16	230 g
VES.N20AJL		Deep angle	11	130 g
VES.N20PF	CA.ATE.30 CA.ATE.50	Standard	16	380 g
VES.N30AP		Inline	11	370 g
VES.N30AJ			19	470 g
VES.N30AJL		Deep angle	15	390 g
VES.N30PF				

**MR Nipper Body**

Body Ø



	Body	Closing Force	
CA.MR.05M	Ø 30	11 Nm	100 g
CA.MR.10M	Ø 36	38 Nm	160 g
CA.MR.20M	Ø 45	67 Nm	270 g
CA.MR.30AM	Ø 56	150 Nm	470 g
CA.MR.50AM	Ø 75	116 Nm	1040 g

**F & S Nipper Blades for MR**

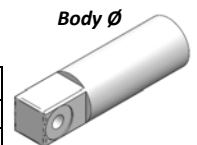
	M*	Style	C	
CA.F1S	CA.MR.05M	Inline	2.5	33 g
CA.F1		Platic cutting Standard	3	34 g
CA.S2			2.5	35 g
CA.FD1		Deep angle	8	117 g
CA.F3LS	CA.MR.10M	Long Inline	5	115 g
CA.F3		Platic cutting Standard	5	112 g
CA.S4			121 g	
CA.FD3		deep angle	9	120 g
CA.F5S	CA.MR.20M	Inline	10	124 g
CA.F5		Platic cutting Standard	10	124 g
CA.S5			15	220 g
CA.FD5		Deep angle	15	220 g
CA.F5LS	CA.MR.30AM	Long inline	16	365 g
CA.F9PS		Inline	16	365 g
CA.F9P		Platic cutting Standard	16	380 g
CA.S7P			8	388 g
CA.FD9P	Deep angle	15	388 g	
CA.S120	CA.MR.50AM	Standard	10	380 g

**Mounting Bracket**

Body Ø



	Body	
CA.04.12.001	Ø 20	56 g
CA.04.12.002	Ø 30	82 g

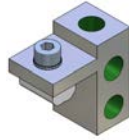


	A	M*	
CA.04.10.004	56	MR.30 / ATE.30	98 g
CA.04.10.005	45	MR.20 / ATE.20	87 g
CA.04.10.006	36	MR.10 / ATE.10	78 g
CA.04.10.007	30	MR.05 / ATE.05	72 g

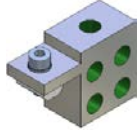
For any further information, please refer to drawings on [www.fps-eoat.it](http://www.fps-eoat.it) Drawings not to scale

### Air Vacuum Manifold 1 IN 4 OUT

	G1 IN	G2 OUT	M*	
CA.VTB.X.141818	1xG 1/8	4xG 1/8	X	35 g
CA.VTB.JU.141818			JU	37 g



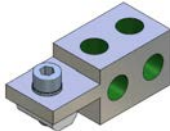
### Air Vacuum Manifold 1 IN 8 OUT



	G1 IN	G2 OUT	M*	
CA.VTB.X.181818	1xG 1/8	8xG 1/8	X	55 g
CA.VTB.JU.181818			JU	58 g

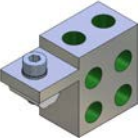
### Air Vacuum Manifold 1+1 IN 2+2 OUT

	G1 IN	G2 OUT	M*	
CA.VTB.X.241818	1+1xG 1/8	2+2xG 1/8	X	39 g
CA.VTB.JU.241818			JU	41 g



### Air Vacuum Manifold 1+1 IN 4+4 OUT

	G1 IN	G2 OUT	M*	
CA.VTB.X.281818	1+1xG 1/8	4+4xG 1/8	X	54 g
CA.VTB.JU.281818			JU	57 g



### Straight Quick Hose Connector



	Hose	G1	
CA.12.05.015	∅ 4	M5	4 g
CA.12.05.016			8 g
CA.12.05.017	∅ 6	G 1/8	10 g
CA.12.05.023			
CA.12.05.024	∅ 3	M3	1 g
		M5	
CA.12.05.044	∅ 4	G 1/8	10 g
CA.12.05.047	∅ 6	G 1/8	13 g
CA.12.05.048		G 1/4	17 g
CA.12.05.049	∅ 8	G 3/8	27 g

### Quick Hose Connector L-90°

	Hose	G1	
CA.12.05.001	∅ 4	M5	4 g
CA.12.05.002			5 g
CA.12.05.003	∅ 6	G 1/8	8 g
CA.12.05.038			11 g
CA.12.05.039	∅ 8	G 1/4	13 g
CA.12.05.040	∅ 4	G 1/8	7 g

Metal and Plastic



### Quick Hose Connector L-90°

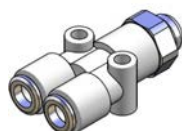
Metal



	Hose	G1	
CA.12.05.018	∅ 4	M5	12 g
CA.12.05.019			19 g
CA.12.05.020	∅ 6	M5	14 g
CA.12.05.021			5 g
CA.12.05.022	∅ 3	M5	6 g

### Threaded Y Hose Connector

	Hose	G1	
CA.12.05.050	∅ 4	G 1/8	13 g
CA.12.05.051	∅ 6		15 g



### Y Hose Connector

	Hose 1	Hose 2	
CA.12.05.004	∅ 4	2 x ∅ 4	6 g
CA.12.05.005			9 g
CA.12.05.006	∅ 6	2 x ∅ 6	7 g
CA.12.05.007	∅ 8	2 x ∅ 6	11 g
CA.12.05.034	∅ 3	2 x ∅ 3	5 g



### Doble Y Hose Connector

	Hose 1	Hose 2	
CA.12.05.008	∅ 6	4 x ∅ 4	12 g
CA.12.05.009	∅ 8	4 x ∅ 6	17 g



### Threaded T Hose Connector

	Hose 1	G1	
CA.12.05.028	∅ 4	M5	7 g
CA.12.05.029			9 g
CA.12.05.030		G 1/8	11 g
CA.12.05.031	∅ 6	M5	9 g



### T Hose Connector

	Hose	
CA.12.05.012	∅ 4	6 g
CA.12.05.013	∅ 6	9 g
CA.12.05.014	∅ 8	14 g



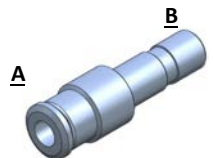
### Flow Control

	Hose	G1	
CA.12.05.RF1806	∅ 6		
CA.12.05.RF1804		G 1/8	17 g
CA.12.05.RFM504	∅ 4		
CA.12.05.RFM506	∅ 6	M5	7 g



### Reducer Junction

	Female A	Male B	
CA.12.05.035	∅ 3	∅ 4	2 g
CA.12.05.042	∅ 4	∅ 6	9 g
CA.12.05.046	∅ 6	∅ 4	11 g



### Plug-In Nipple

	Hose	G1	
CA.12.05.M5AU3	∅ 3		
CA.12.05.M5AU4	∅ 4	M5	1 g
CA.12.05.M5AU6	∅ 6		2 g



### L Plug-In Nipple

	Hose	G1	
CA.12.05.M5ALHU3	∅ 3		
CA.12.05.M5ALHU4	∅ 4	M5	3 g
CA.12.05.M5ALHU6	∅ 6		4 g



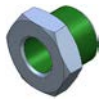
### Plug For Push-In Fitting

CA.12.05.036	∅ 4	
CA.12.05.037	∅ 6	1 g



For any further information, please refer to drawings on [www.fps-eoat.it](http://www.fps-eoat.it) Drawings not to scale

**Reducer (parallel)**



	IG 1	AG 2	
CA.08.14.001	M5	G 1/8	8 g
CA.08.14.002	M6	G 1/8	11 g
CA.08.14.003	G 1/8	G 1/4	13 g
CA.08.14.004	M6	G 3/8	12 g

	IG 1	AG 2	
CA.08.14.018	G 1/8	M5	7 g
CA.08.14.019	G 1/4	G 1/8	14 g
CA.08.14.016	G 3/8	G 1/8	17 g
CA.08.14.017	G 3/8	G 1/4	12 g

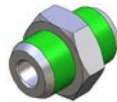


**Male plug (parallel)**

	AG 1	
CA.08.14.013	M5	2 g
CA.08.14.014	G 1/8	9 g
CA.08.14.015	G 1/4	15 g

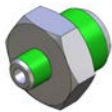
**Nipple (parallel)**

	AG	
CA.08.14.021	M5	2 g
CA.08.14.005	G 1/8	9 g
CA.08.14.006	G 1/4	15 g



**Reducing Nipple (parallel)**

	AG 1	AG 2	
CA.08.14.011	M5	G 1/8	8 g
CA.08.14.012	G 1/8	G 1/4	15 g

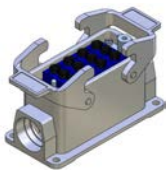


**Pneumatic Seal Ring**

	M*
CA.08.09.05	M5
CA.08.09.18	G 1/8
CA.08.09.14	G 1/4



**Mounting Case Robot Side**



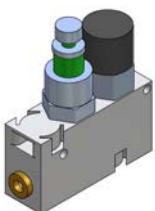
CA.SCAR.12P00E	12 OUT x hoses Ø 6	405 g
----------------	--------------------	-------

**Grommet Case Robot Side**

CA.SCAG.12P00E	12 OUTx hoses Ø 6	361 g
----------------	-------------------	-------



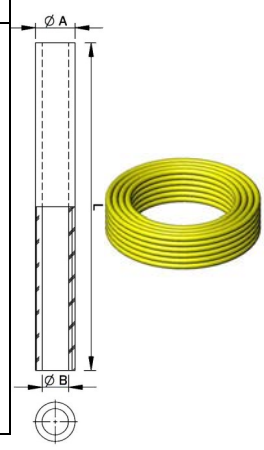
**Pressure Regulator**



	Hose	
CA.11.06.001	Ø 4	30 g

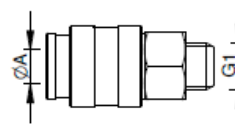
**Hoses**

	Color	A	B	L
CA.15.01.011	Neutral	3	1.5	25 mt
CA.15.01.010				
CA.15.01.001	Blue	4	2.5	
CA.15.01.004				
CA.15.01.007				
CA.15.01.019				
CA.15.01.020				
CA.15.01.009				
CA.15.01.002	Blue	6	4	
CA.15.01.003				
CA.15.01.006				
CA.15.01.015				
CA.15.01.014				
CA.15.01.016				
CA.15.01.012	Gray	8	5.5	
CA.15.01.005				
CA.15.01.008	Yellow			
CA.15.01.008	Red			



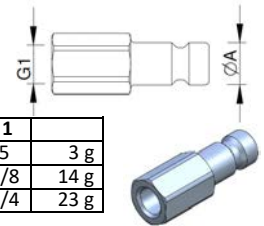
For any further information, please refer to drawings on [www.fps-eoat.it](http://www.fps-eoat.it) Drawings not to scale

**Quick coupling socket**

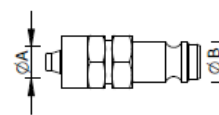


	M*	A	AG 1	
CA.12.06.003	CA.12.06.008	2.5	M5	8 g
CA.12.06.001	CA.12.06.005	5.0	G 1/8	27 g
CA.12.06.007	CA.12.06.006	7	G 1/4	70 g

**Plug-In Nipple**

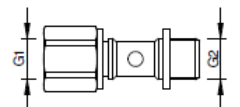


	M*	A	IG 1	
CA.12.06.008	CA.12.06.003	2.5	M5	3 g
CA.12.06.005	CA.12.06.001	5.0	G 1/8	14 g
CA.12.06.006	CA.12.06.007	7	G 1/4	23 g

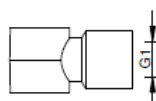


	M*	A Hose	B	
CA.12.06.004	CA.12.06.003	Ø 4	2.5	5 g
CA.12.06.002	CA.12.06.001	Ø 6	5.0	18 g

**Pneumatic Hollow bolt**



	IG 1	AG 2	M*	
CA.01.08.005	M5	M5	CA.01.08.008	3 g
CA.01.08.003	G 1/8	G 1/8	CA.01.08.004	17 g
CA.01.08.006	G 1/4	G 1/4	CA.01.08.007	28 g

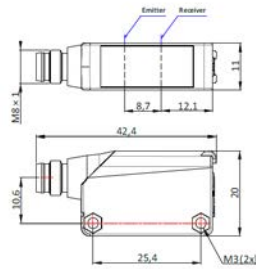


**Pneumatic ring connection**

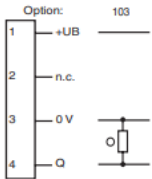
	IG 1	M*	
CA.01.08.008	M5	CA.01.08.005	6 g
CA.01.08.004	G 1/8	CA.01.08.003	15 g
CA.01.08.007	G 1/4	CA.01.08.006	20 g

## Background suppression sensor

**New**

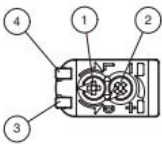


### Electrical connection



○ = Light on  
● = Dark on

### Indicators/operating means

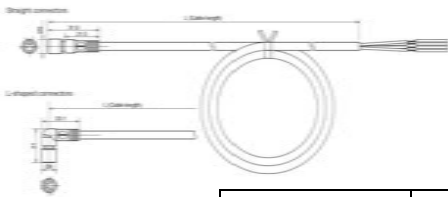


1	Light-Dark-switching	
2	Sensitivity adjuster	
3	Signal display	yellow
4	Operating display	green

PEP.216895	M8 4P PNP 350mm detection range	10 g
------------	---------------------------------	------

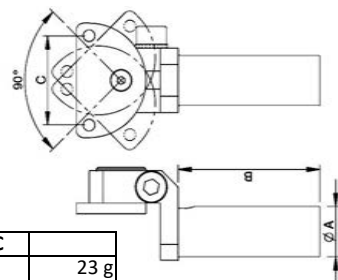
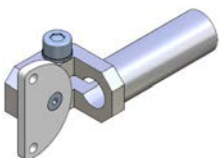
Supply voltage 10 V DC ..... 30 V DC

## M8 Screw-on cable connectors 4 - wires



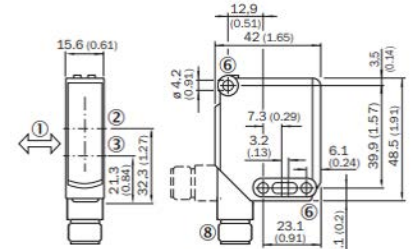
	Type	Size
OM.XS3F.M84S5M	Straight connector	M8
OM.XS3F.M84A5M	L - shaped connectors	

## Adapter for Part Control

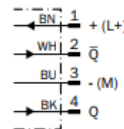


	A	B	C	
CA.ATK.10.10.30		30	25	23 g
CA.ATK.10.10.60	10	60		26 g
CA.ATK.10.10.90		90		29 g
CA.ATK.10.14.40	14	40		36 g
CA.ATK.10.14.80		80		44 g
CA.ATK.10.14.120		120		52 g

## Photoelectric proximity sensor, Background suppression



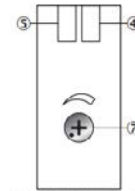
### Electrical connection



- ① Standard direction of the material being detected
- ② Optical axis, receiver
- ③ Optical axis, sender
- ④ LED indicator green: Supply voltage active
- ⑤ LED indicator yellow: Status of received light beam
- ⑥ Mounting hole  $\varnothing$  4.2 mm
- ⑦ Sensing range adjustment: potentiometer
- ⑧ Connection



- Sensing range
- ① Sensing range on black, 6% remission
- ② Sensing range on gray, 18% remission
- ③ Sensing range on white, 90% remission



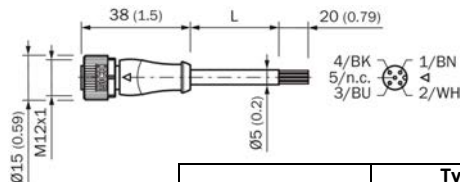
**New**

- ④ LED indicator green: Supply voltage active
- ⑤ LED indicator yellow: Status of received light beam
- ⑦ Sensing range adjustment: potentiometer

SIC.WTB11.2P2431	M8 4P PNP	13 g
SIC.WTB11.2N2431	M8 4P NPN	

Supply voltage 10 V DC ..... 30 V DC

## Plug connectors and cables

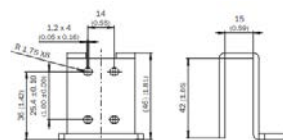
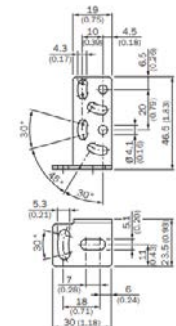


	Type	Size
SIC.CAVO	Straight connector	M12

## Mounting Systems



SIC.BEF.WGW12



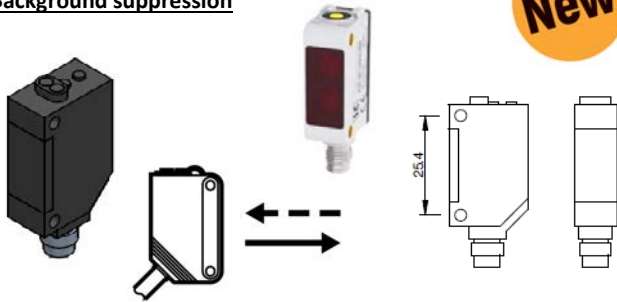
SIC.BEF.SGG601



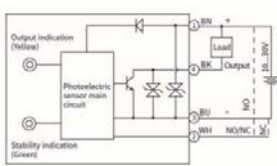
For any further information, please refer to drawings on [www.fps-eoat.it](http://www.fps-eoat.it) Drawings not to scale

**Background suppression**

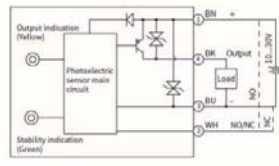
**New**



	Output	Power supply	Sensor	Sensing	Connector
<b>RSPRO.202.4451</b>	PNP	12 to 24 VDC ±10%	Background suppression	30 to 350 mm	Connector type M8 4pin
<b>OM.E3Z-LS66.OMS</b>	NPN				

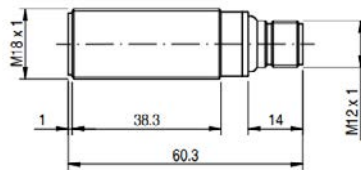


NPN



PNP

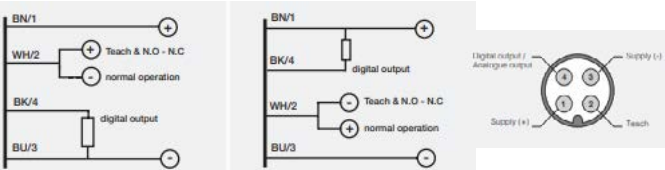
**Ultrasonic Sensor**



	Output	Connector method	
<b>MMD.UK6AHN0EUL</b>	NPN	Connector type M12 4pin	65 g
<b>MMD.UK6AHP0EUL</b>	PNP		

PNP

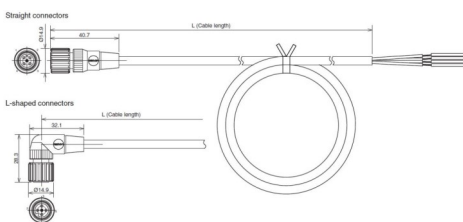
NPN



**Mounting Bracket**

<b>CA.SCM.20.X</b>	
--------------------	--

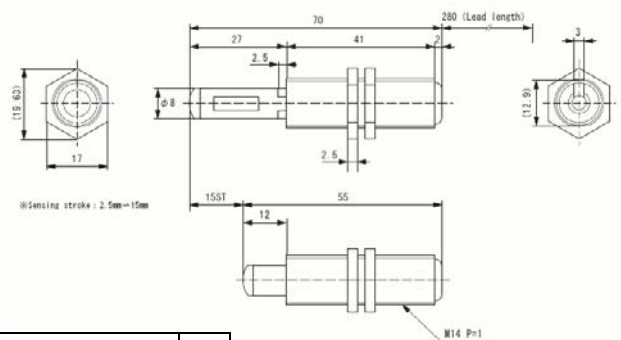
**M12 Screw-on cable connectors 4 wires**



	Type	Size
<b>OM.XS2F.M124S5M</b>	Straight connector	M12
<b>OM.XS2F.M124A5M</b>	L-shaped connectors	M12

**Star Blue Sensor**

**New**



<b>CA.SSW15</b>	14 g
-----------------	------

**Electrical specifications**

	TYPE	SSW-15
Contact point	Contact point type	1A
	Contact position	Off center gap
	Maximum contact capacity	20W
	Maximum open/close voltage	200VDC
	Maximum open/close electric current	0.5A
	Turn-on value **	15-50A**
Electric Characteristic	Detecting stroke	2.5mm ~ 15mm
	Open value **	5A (min)
	Withstand voltage **	250VDC
	Operation temperature	-25°C to 80°C
Others	Useful life	1 × 10 <sup>7</sup> times / DC10mV-10μA
		1 × 10 <sup>7</sup> times / DC10V-4mA
	Connection method	250 × 10 <sup>7</sup> times / DC20V-0.5A
		Code drawing type (280mm)
Spring force		0.5N

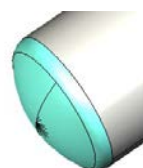
\*1 Crossing in shipment: ±2A  
\*2 Voltage withstanding standard: turn-on value 25A or more

**Body specifications**

	TYPE	SSW-15
Material	Weight	20g
	Main body	PA
	Shaft	PA
	Rubber head	Silicone
Accessories		Hexagon nut M14 × P1 (2 pcs)

\* Do not put a strong shock from the outside.

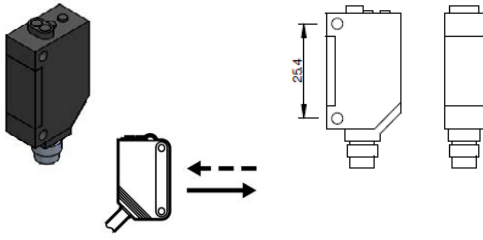
**Replacement rubber head for CA.SSW15**



<b>CA.SSW15.RH</b>	14 g
--------------------	------

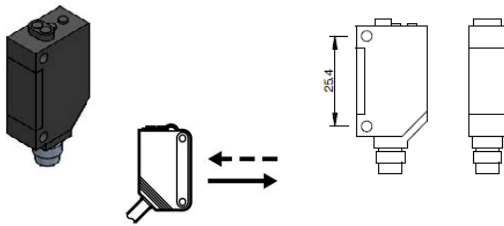
For any further information, please refer to drawings on [www.fps-eoat.it](http://www.fps-eoat.it) Drawings not to scale

### Diffuse reflective



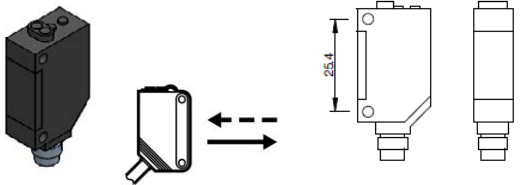
	Output	Power supply voltage	Sensor Type	Sensing distance	Connector method
OM.E3Z-D86.OMS	PNP	12 to 24 VDC ±10%	Diffuse - reflective	5 to 100 mm (wide view)	Connector type M8 4pin
OM.E3Z-D66.OMS	NPN				

### Laser Thin beam type (1 mm) reflective model



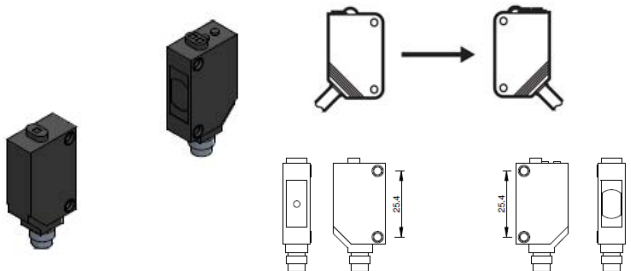
	Output	Power supply voltage	Sensor Type	Sensing distance	Connector method
OM.E3Z-LL86.OMS	PNP	12 to 24 VDC ±10%	Laser Thin beam type reflective model	90 ±30 mm	Connector type M8 4pin
OM.E3Z-LL66.OMS	NPN				

### Background suppression (Laser)



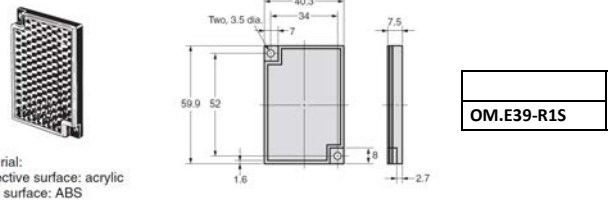
	Output	Power supply voltage	Sensor Type	Sensing distance	Connector method
OM.E3Z-LS86.OMS	PNP	12 to 24 VDC ±10%	Distance-settable	30 to 200 mm	Connector type M8 4pin
OM.E3Z-LS66.OMS	NPN				

### Through-beam laser 1 mm



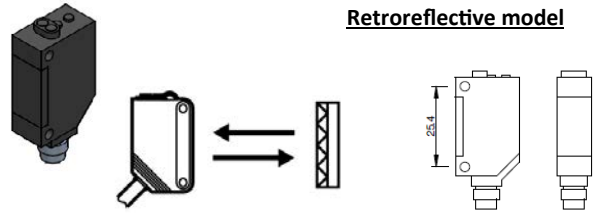
	Output	Power supply voltage	Sensor Type	Sensing distance	Connector method
OM.E3Z-LT86	PNP	12 to 24 VDC ±10%	Through-beam	15 m	Connector type M8 4pin
OM.E3Z-LT66.OMS	NPN				

### Reflector (order separately)



OM.E39-R1S

### Retroreflective model



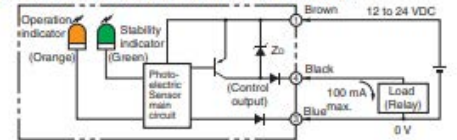
	Output	Power supply voltage	Sensor Type	Sensing distance	Connector method
OM.E3Z-R86.OMS	PNP	12 to 24 VDC ±10%	Retroreflective model	4 m	Connector type M8 4pin
OM.E3Z-R66.OMS	NPN				



### Output circuit

Through-beam Receivers, Retro-reflective Models, Diffuse-reflective Models, Limited reflective Models.

### PNP Output



Connector Pin Arrangement

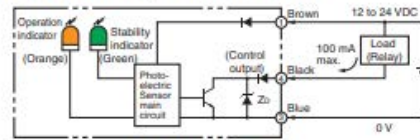


Pin 2 is not used.

### Output circuit

Through-beam Receivers, Retro-reflective Models, Diffuse-reflective Models, Limited reflective Models.

### NPN Output

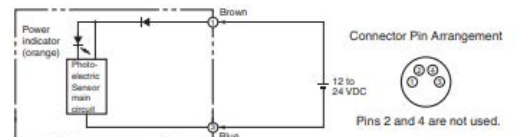


Connector Pin Arrangement



Pin 2 is not used.

### Through-beam Emitter



Connector Pin Arrangement

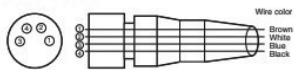


Pins 2 and 4 are not used.

For any further information, please refer to drawings on [www.fps-eoat.it](http://www.fps-eoat.it) Drawings not to scale

Plugs (Sensor I/O Connectors)

M8 connector

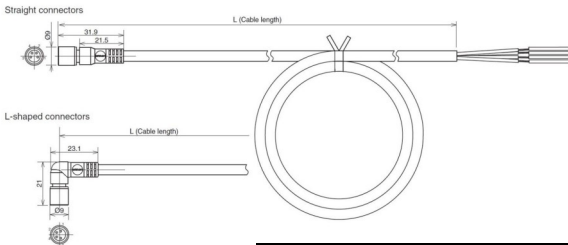


Pin arrangement

Classification	Wire color	Connector pin No.	Application
DC	Brown	1	Power supply (+V)
	White	2	-
	Blue	3	Power supply (0 V)
	Black	4	Output

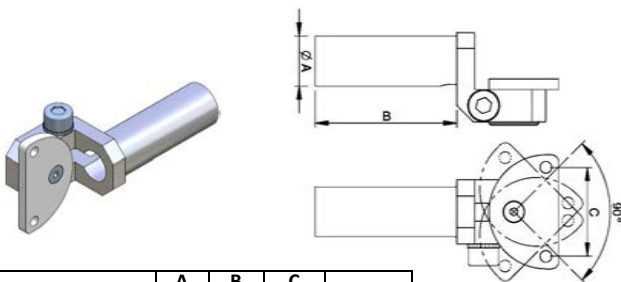
Note: Pin 2 is not used.

M8 Screw-on cable connectors 4 - wires



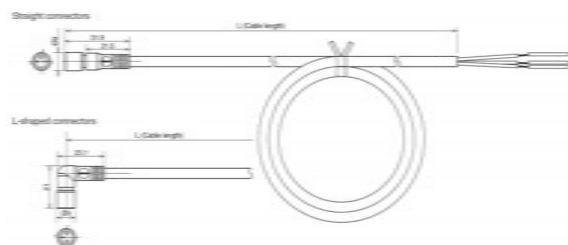
	Type	Size
OM.XS3F.M84S5M	Straight connector	M8
OM.XS3F.M84A5M	L - shaped connectors	

Adapter for Part Control



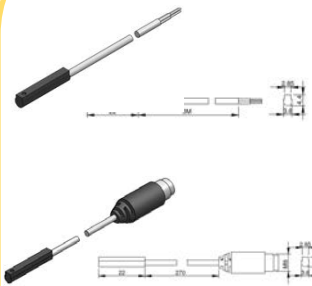
	A	B	C	
CA.ATK.10.10.30	10	30	25.4	23 g
CA.ATK.10.10.60		60		26 g
CA.ATK.10.10.90		90		29 g
CA.ATK.10.14.40	14	40	25.4	36 g
CA.ATK.10.14.80		80		44 g
CA.ATK.10.14.120		120		52 g

M8 Screw-on cable connectors 3 - wires



	Type	Size
OM.XS3F.M83S5M	Straight connector	M8
OM.XS3F.M83A5M	L - shaped connectors	

Electronic Sensor



	Sensor with cable	
KT58PM8	3 wires electronic PNP normally Open	4 g
KT58P3M	3 wires electronic PNP normally Open mt 3 cable	
KT58NM8	3 wires electronic NPN normally Open	
KT58N3M	3 wires electronic NPN normally Open mt 3 cable	



**KT-38N**

**KT-38P**

CYLINDRICAL MINIATURIZED INDUCTIVE SENSORS

		Sensor with cable	
MMD.AA1.AP3A	∅ 3	3 wires PNP normally Open mt 2 cable	30 g
MMD.AA1.AN3A	∅ 3	3 wires NPN normally Open	

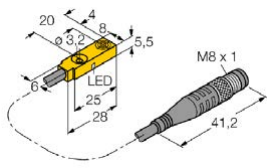
**PNP**

**NPN**

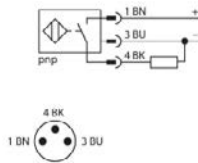
		Sensor with cable	
MMD.AC1.AP3A	∅ 4	3 wires PNP normally Open mt 2 cable	30 g
MMD.AC1.AN3A	∅ 4	3 wires NPN normally Open	

For any further information, please refer to drawings on [www.fps-eoat.it](http://www.fps-eoat.it) Drawings not to scale

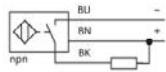
### Inductive Sensor



#### PNP



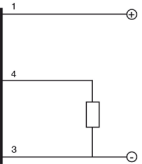
#### NPN



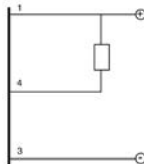
	Sensor with cable	
GRZ.20.SC.PNP	INDUCTIVE SENSOR PNP normally Open M8	30 g
GRZ.20.SC.NPN	INDUCTIVE SENSOR NPN normally Open M8	



#### PNP



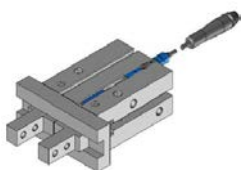
#### NPN



	Sensor with cable	
MMD.IL5AP3AVF80	INDUCTIVE SENSOR PNP normally Open M8 plug connector	15 g
MMD.IL5AN3AVF80	INDUCTIVE SENSOR NPN normally Open M8 plug connector	



	Output	Connector method	
CA.SCP.1008	PNP	Connector type M8 4pin	65 g
CA.SCP.1012			



	Output	Connector method
SIC.M22QCSSPKP0	PNP	Connector type M8 4pin

### Sensor Box



	Power supply	Inputs	Outputs
CA.SDS.02	24 V dc (+/- 10%)	Maximum 2 PNP, NPN or dry contact (NO or NC) sensor switched by jumper	1 up to 2 PNP, NPN or dry contact (NO or NC) outputs switched by jumpers
CA.SDS.04		Maximum 4 PNP, NPN or dry contact (NO or NC) sensor switched by jumper	1 up to 4 PNP, NPN or dry contact (NO or NC) outputs switched by jumpers
CA.SDS.06		Maximum 6 PNP, NPN or dry contact (NO or NC) sensor switched by jumper	1 up to 6 PNP, NPN or dry contact (NO or NC) outputs switched by jumpers
CA.SDS.08		Maximum 8 PNP, NPN or dry contact (NO or NC) sensor switched by jumper	1 up to 8 PNP, NPN or dry contact (NO or NC) outputs switched by jumpers

#### Functioning and set up

##### WIRING

##### Inputs

- 1) Wire the Input sensors like the red section in the drawing below.
- 2) Mount the JPC ( jumpers ) on each sensor wired as PNP or NPN, according to the sensor your are using.
- 3) Do not mount any jumoers on INputs which are not used

##### Outputs

- 1) Possibility to wire 1 to 8 outputs.
- 2) In case of utilizing one OUT with various IN, always wire the last OUT
- 3) NB without mounting the JPC contact NO and NC the outputs will be diverted to IN
- 4) Mount all the JPC's on PNP or NPN according to the desired outputs

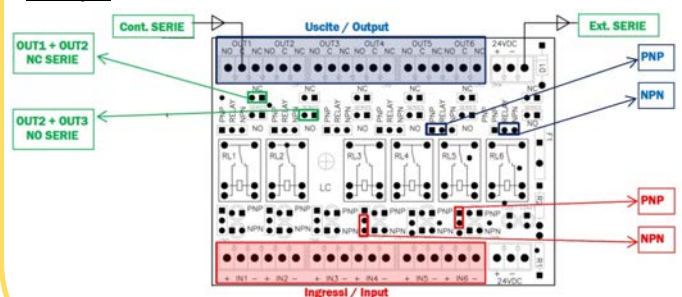
##### ELECTRICAL SUPPLY

- 1) Connect the 24 V dc (±10%)
- 2) Always utilize the connector positioned at the end of the OUT connectors

##### SERIAL CONNECTION

- 1) Possibility to connect several electrical boards between each other
- 2) Always connect the 3° PIN of the electrical connector with the common 2° PIN comone ( C ) of the next electrical board

#### Example



For any further information, please refer to drawings on [www.fps-eoat.it](http://www.fps-eoat.it) Drawings not to scale





**New**

CA.19.03.002	25 pin M	25 g
--------------	----------	------



CA.19.03.003	25 pin F	25 g
--------------	----------	------



CA.19.03.001	25 pin M	10 g
--------------	----------	------

CA.19.03.004	24 pin M	25 g
--------------	----------	------



**New**

CA.19.03.005	24 pin F	25 g
--------------	----------	------



PAX.1501252	M8 3P M	15 g
-------------	---------	------



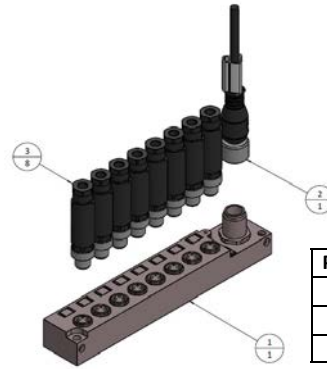
PAX.1506888	M8 3P F	15 g
-------------	---------	------

PAX.1501265	M8 4P M	15 g
-------------	---------	------



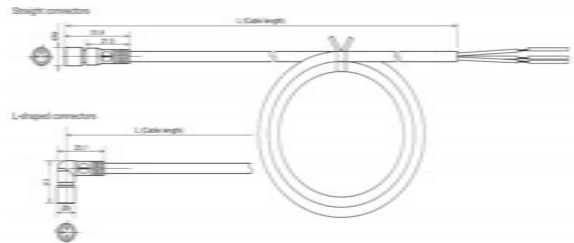
PAX.1506891	M8 4P F	15 g
-------------	---------	------

For any further information, please refer to drawings on [www.fps-eoat.it](http://www.fps-eoat.it) Drawings not to scale



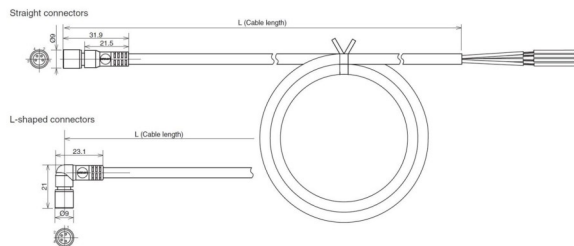
Position	code	Qty
1	WEI.1871680000	1
2	WEI.1879710500	1
3	PAX.1501252	8

**M8 Screw-on cable connectors 3 - wires**



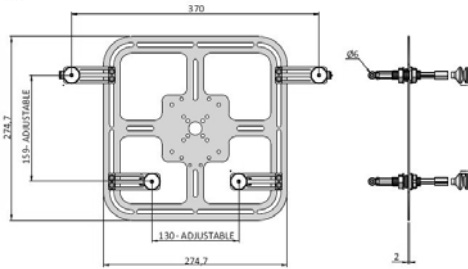
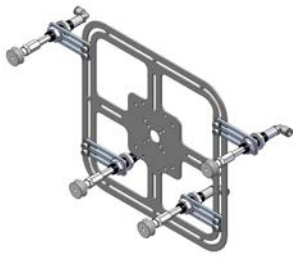
	Type	Size
OM.XS3F.M83S5M	Straight connector	M8
OM.XS3F.M83A5M	L - shaped connectors	

**M8 Screw-on cable connectors 4 - wires**



	Type	Size
OM.XS3F.M84S5M	Straight connector	M8
OM.XS3F.M84A5M	L - shaped connectors	

### KIT.MA01



COMPONENTS	DESCRIPTION	QTY	
CA.04.20.14.X	Mounting Bracket 14	4	45 g
CA.08.09.009	Adapters for vacuum cups G 1/8	4	3 g
CA.08.30.005	Vacuum Cup with 2 bellows only (silicone) D. 25 mm	4	5 g
CA.12.05.003	Orienting elbow male adapter (parallel) G 1/8 6 mm	4	8 g
CA.SDNG.1420	Threaded-body non-rotative Suspension D. 14 Stroke 20 mm	4	33 g
PIA.275X275X2	Basic EOAT Plate 275x275x2 inox	1	516 g



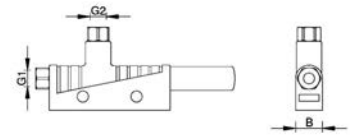
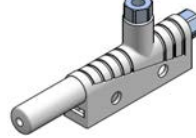
### CA.VSX.LOCTITE

#### Glue bonding procedure pad Rubber in Lay on pad holder Aluminium

- 1) Surface cleaning of Rubber in Lay with sandpaper
- 2) Surface cleaning of Aluminium with sandpaper
- 3) Put Primer LOCTITE 770 on pad RUBBER in Lay
- 4) Put glue LOCTITE 406 on pad holder Aluminium
- 5) Stick pad Rubber in Lay on pad holder Aluminium

For any further information, please refer to drawings on [www.fps-eoat.it](http://www.fps-eoat.it) Drawings not to scale

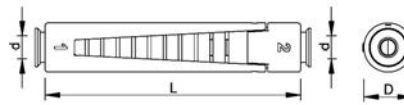
### Basic ejector



	Suction rate (max)	G1	G2	B	Ø	
CA.SBP.10.G02	37.7 l/min	G 1/8	G 1/8	10	1	22 g
CA.SBP.15.G02	71 l/min	G 1/8	G 1/8	15	1.5	
CA.SBP.20.G03	127 l/min	G 1/4	G 3/8	20	2.0	50 g

### Inline ejector

Pressure optimal 4,5 bar  
Degree of evacuation 85 %



	Suction rate (max)	d	D	L	Ø	
CA.SLP.05.SI	8 l/min	4	10	57	0.5	5 g
CA.SLP.07.SI	15.9 l/min	4	10	57	0.7	





[fps-automation.com](https://fps-automation.com)