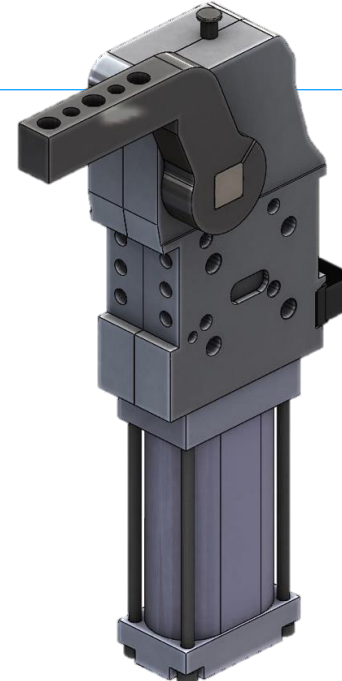
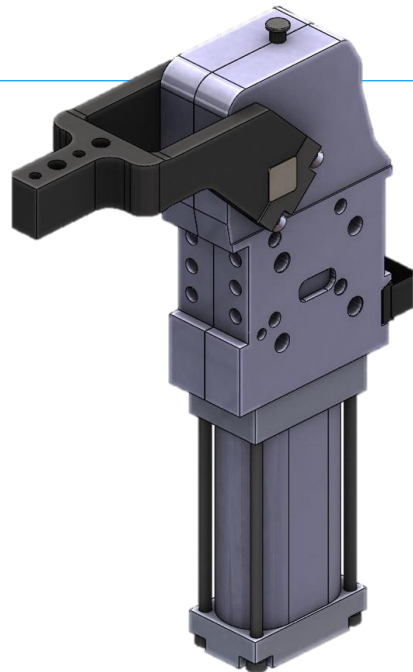
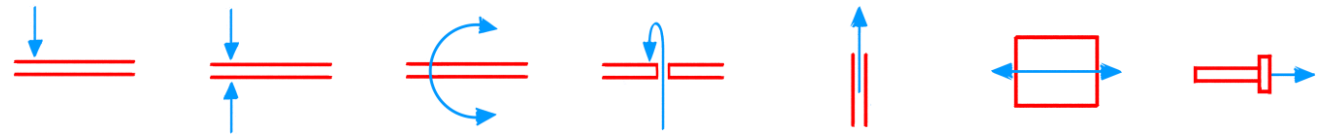


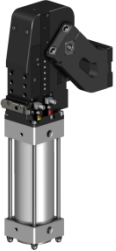






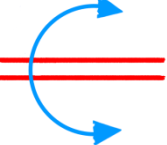
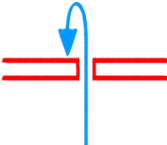


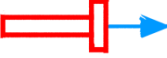


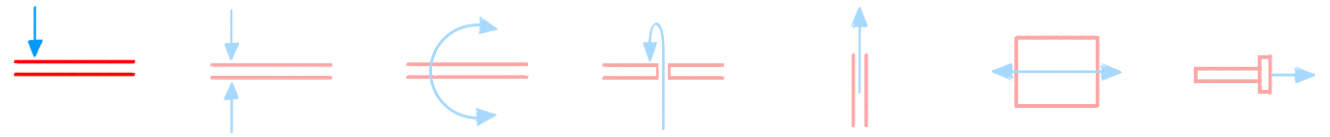
POWER CLAMPS CPL40-50-63-80 and CPN50-63-80
CPL → EU-DIN European Standard AND CPN → Naams-NAFTA Standard





VEP Automation – Current Product Range

						
Clamp	Grip	Pivot	Centre & clamp	Centre	Transfer	Multiply
						
<p>Manual and pneumatic toggle clamping.</p> <p>One solution with many uses.</p>	<p>Our gripper units.</p> <p>All the flexibility needed.</p>	<p>Pivot units.</p> <p>Sturdy construction and flexible handling.</p>	<p>Positioning, centring and clamping.</p> <p>The required power and precision.</p>	<p>Centring.</p> <p>Positioning accuracy, even in the most critical conditions</p>	<p>Linear units.</p> <p>Flexibility for different configurations.</p>	<p>Pneumatic force multipliers.</p> <p>Maximum performance with a small footprint.</p>

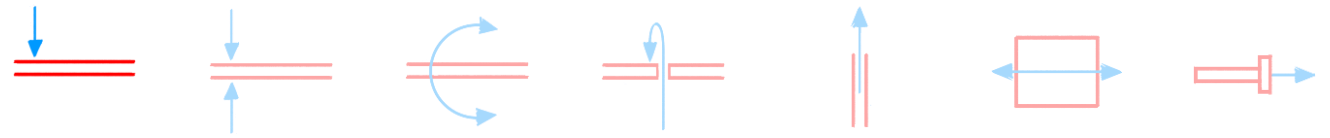


CPL-CPN Power Clamps



Main features:

- European DIN standard (CPL) and NAAMS/NAFTA (CPN) standard.
- Aluminium body, sizes: d.40 (140Nm), d.50 (250Nm), d.63 (420Nm) and d.80 (1,000Nm).
- Toggle locking system with release pin.
- Opening angle easily adjustable (from 2° to 135°) with self-setting of the inductive sensor.
- Inductive sensors with detachable M12 electronics (d.40-50-63).
- Pneumatic cylinder with end stroke cushioning.
- Vertical, Horizontal and Lateral Arm types (Eu-Din and NAAMS).
- Available with manual hand lever.
- 3 Million cycles (B10) «Maintenance Free»



EU DIN Series - CPL D.40-50-63-80

EU DIN Power Clamps



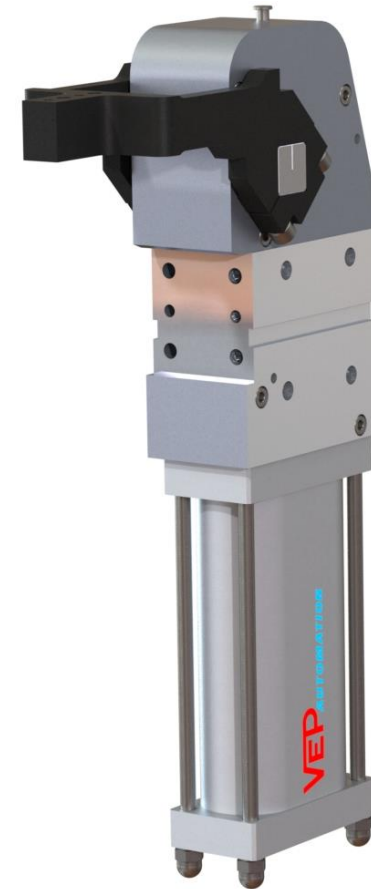
CPL40
140Nm/380Nm



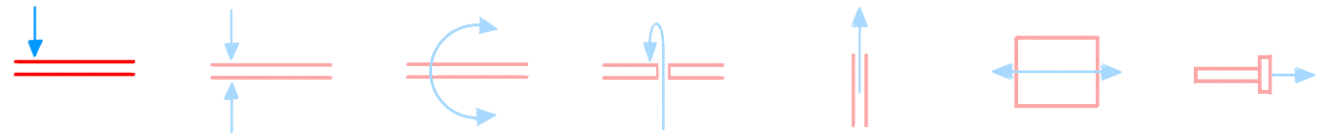
CPL50
250Nm/1300Nm



CPL63
420Nm/1700Nm



CPL80
1000Nm/2500Nm



NAAMS Series - CPN D.50-63-80

NAAMS Power Clamps



CPN50
250Nm/1300Nm

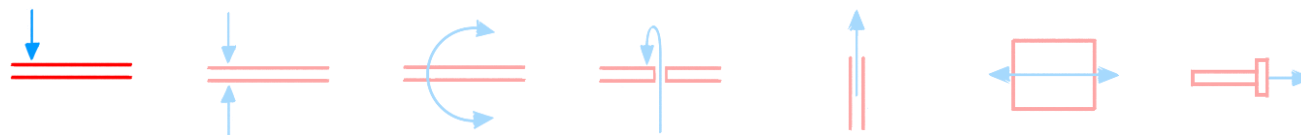


CPN63
420Nm/1700Nm

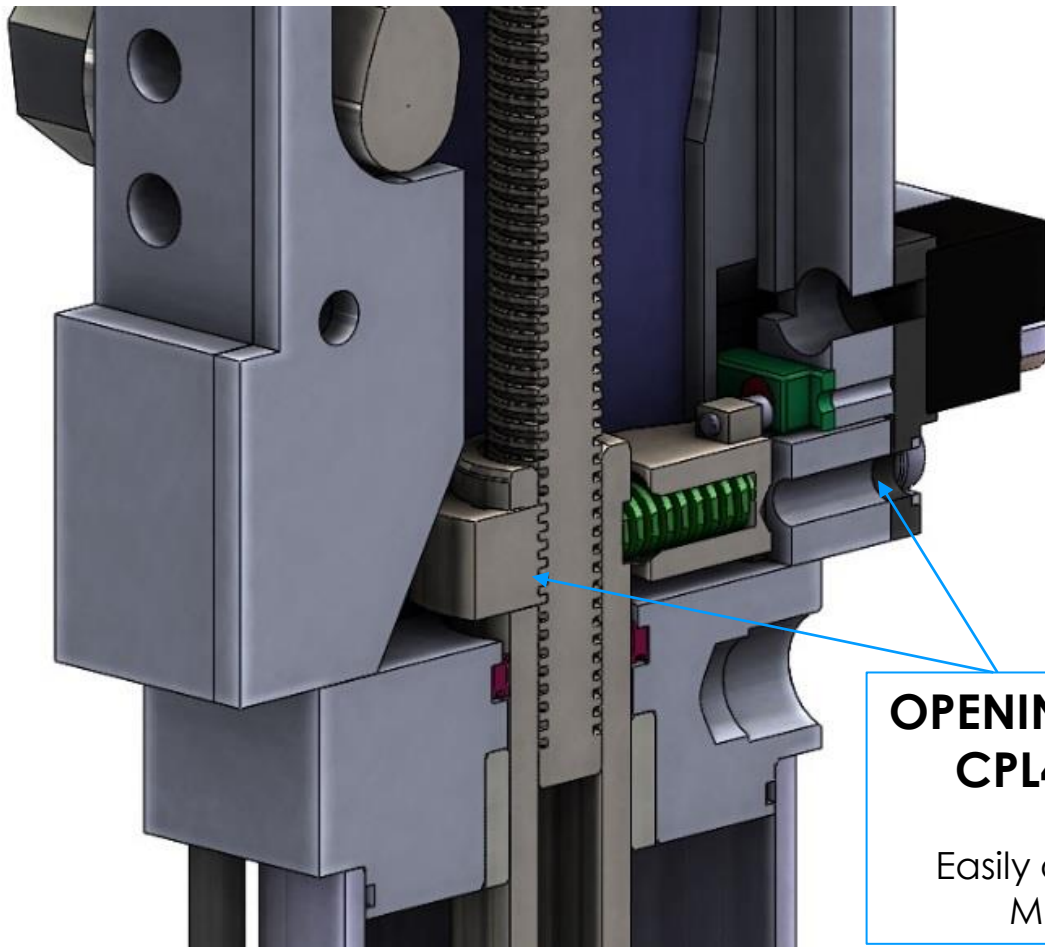
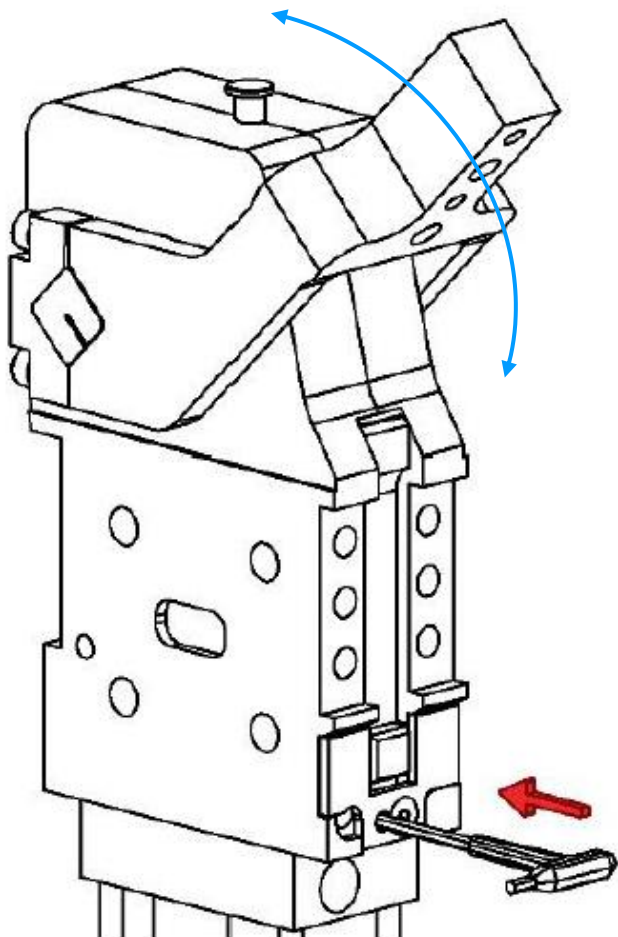


CPN80
1000Nm/2500Nm

GLOBAL STANDARD COMPONENTS
NAAMS 

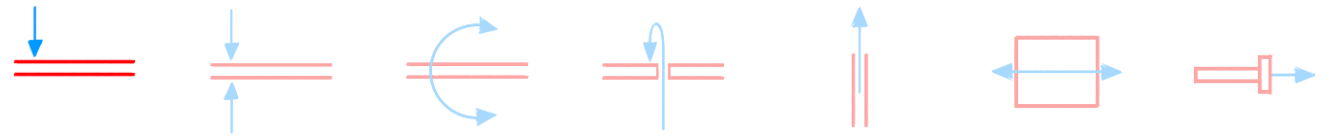


Opening angle easily adjustable

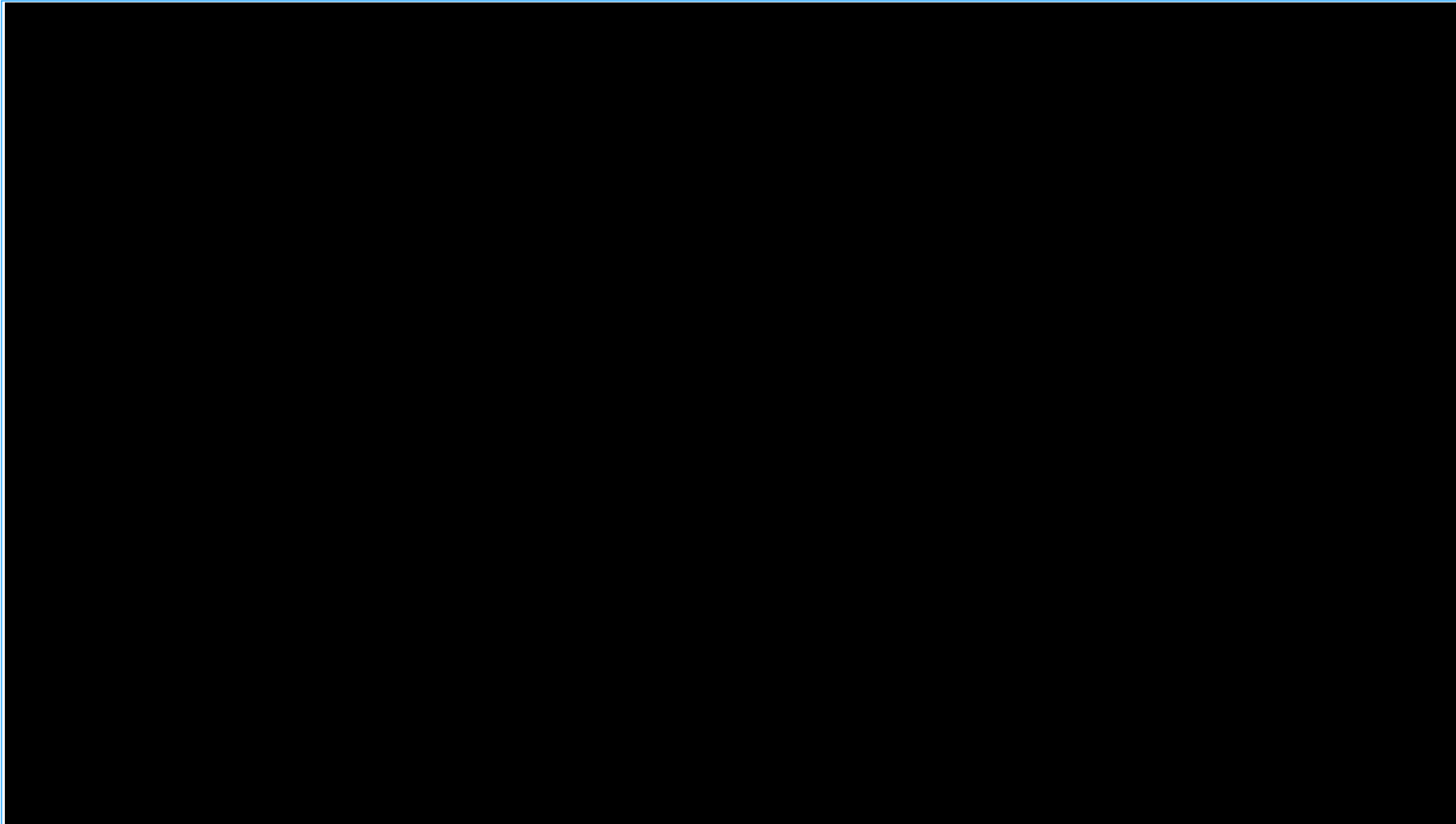


OPENING ANGLE MODIFICATION CPL40 e CPL/CPN 50-63-80

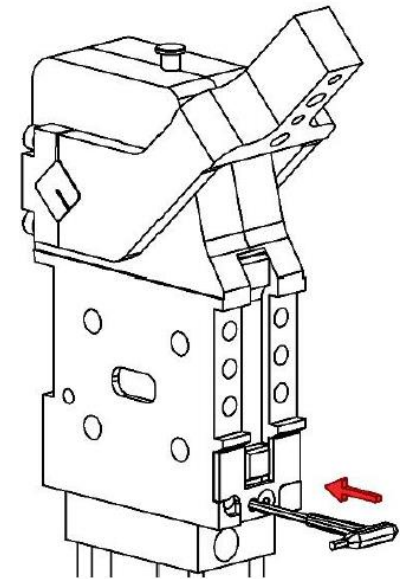
Easily opening angle change system
Making it on the sensor area



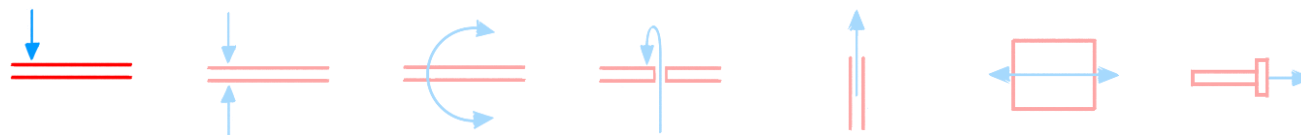
Opening angle easily changeable – Movie



Angle Change Instructions

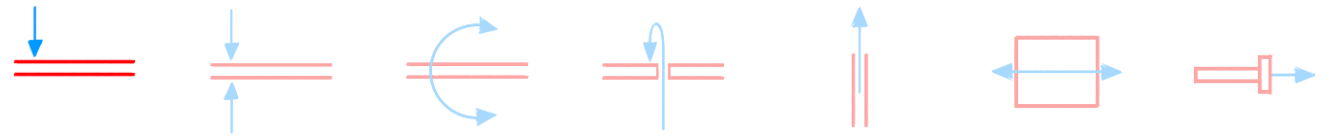


[Link to Youtube](#)



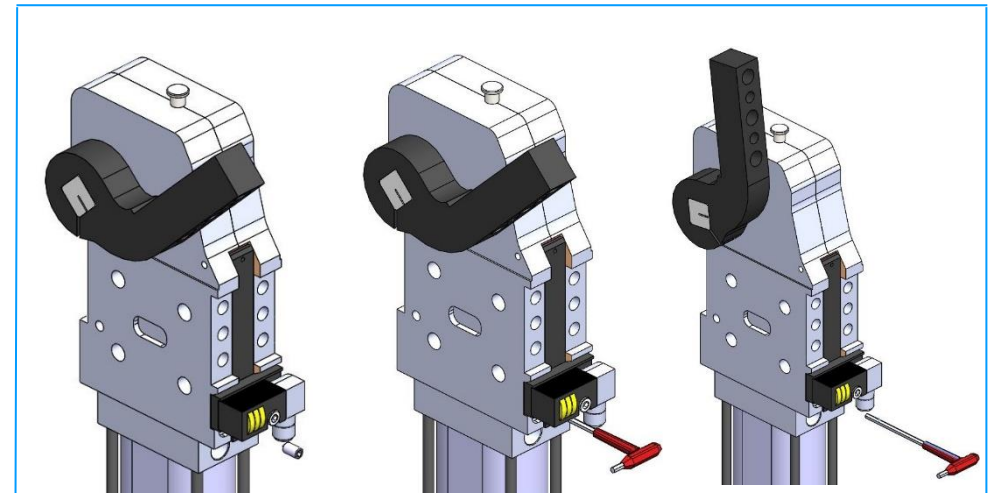
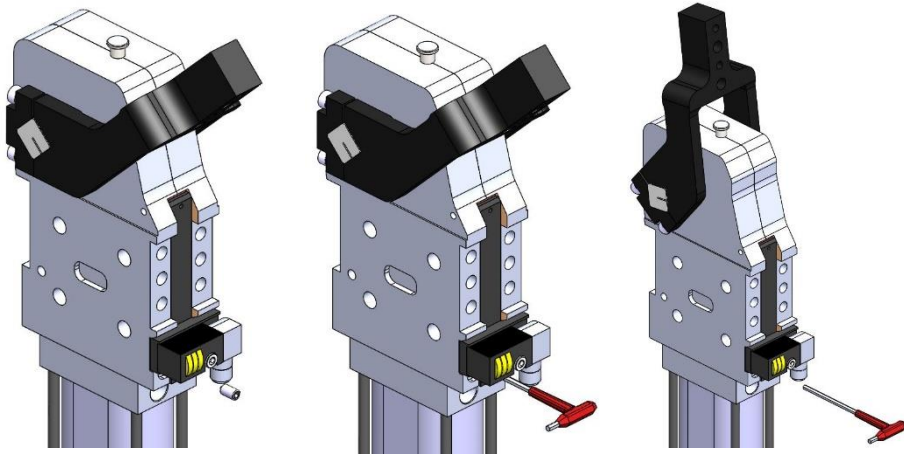
Opening angle easily changeable - Steps

<p>Manually</p> <p>1</p> <p>Pneumatically</p> <p>Fase 1 - Posizionare manualmente o pneumaticamente la leva a fondo corsa.</p>	<p>2</p> <p>Unscrew the M6 grain under the inductive sensor</p> <p>Hole to change the angle</p> <p>Fase 2 - Unscrew the M6 grain under the inductive sensor in order to find out the access hole.</p>	<p>3</p> <p>Push Force ≥ 80 N</p> <p>Fase 3 - Insert the key with \varnothing max. of 5mm inside the hole and Manually push the spring</p>	<p>Manually</p> <p>4</p> <p>Fase 4 - Keep pushing on the spring and move the arm to the desired angle position. Release the spring</p>
---	--	--	--

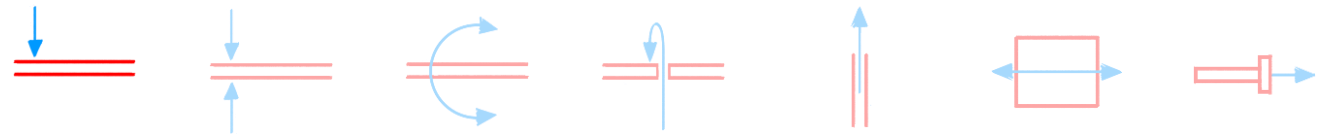


Opening angle easily changeable - (Opening angles D.50-63)

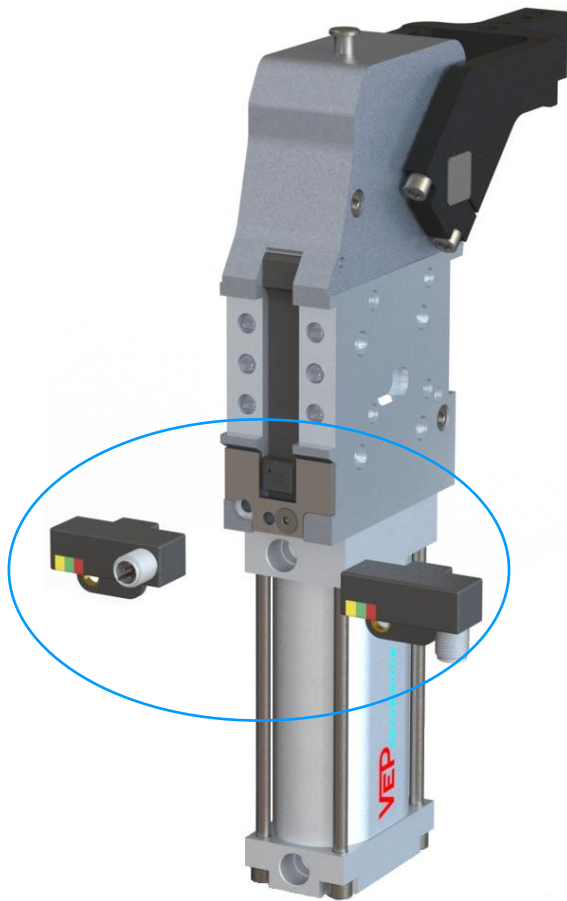
Tipo Leva	Opening Angles CPL50-63 (2,5°-135°)																																			
	2,5	4	6	8	10	13	16	19	22	26	30	34	38	42	46	50	54	58	62	67	71	75	79	83	87	91	95	99	103	107	112	117	122	128	135	
CPL50-63 V1 + V3	•	•	•	•	•	•	•	•	•	•	•	•	•	•	•	•	•	•	•	•	•	•	•	•	•	•	•	•	•	•	•	•	•	•	•	
CPL50-63 H1 + H3	•	•	•	•	•	•	•	•	•	•	•	•	•	•	•	•	•	•	•	•	•	•	•	•	•	•	•	•	•	•	•	•	•	•	•	•



Tipo Leva	Opening Angles CPN50-63 (2,5°-135°)																																			
	2,5	4	6	8	10	13	16	19	22	26	30	34	38	42	46	50	54	58	62	67	71	75	79	83	87	91	95	99	103	107	112	117	122	128	135	
CPN50-63	•	•	•	•	•	•	•	•	•	•	•	•	•	•	•	•	•	•	•	•	•	•	•	•	•	•	•	•	•	•	•	•	•	•	•	•



Sensors



Inductive sensors with separable/adjustable M12 electronics

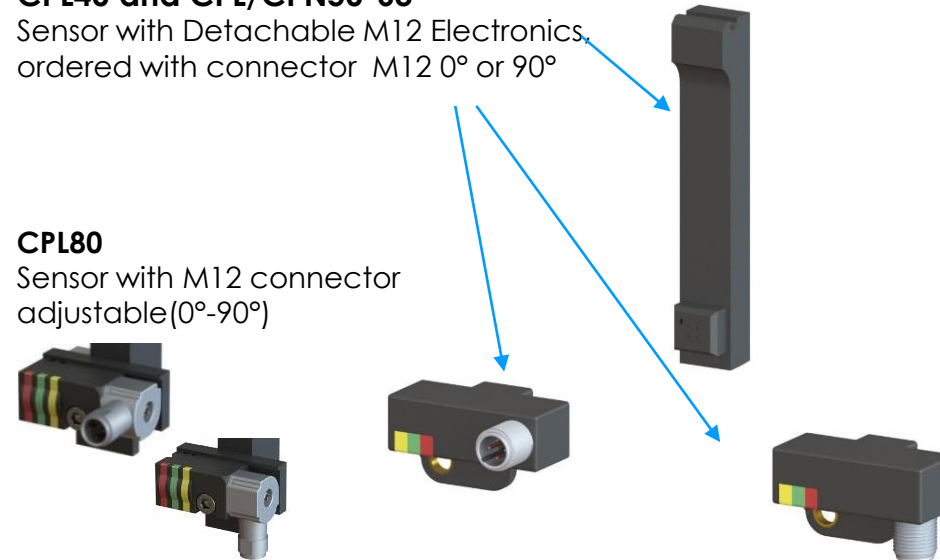
IP65-IP67 – M12 4 Pins Standard IEC 61076-2-101
Protection against Short circuit and reverse polarity
Protection against interference from direct-alternating electromagnetic fields ($\geq 100\text{mT}$) by the welding gun

CPL40 and CPL/CPN50-63

Sensor with Detachable M12 Electronics,
ordered with connector M12 0° or 90°

CPL80

Sensor with M12 connector
adjustable (0°-90°)

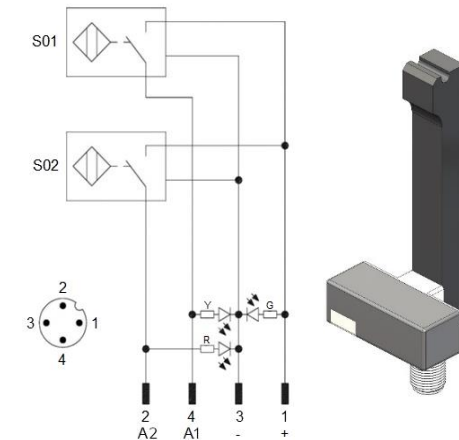


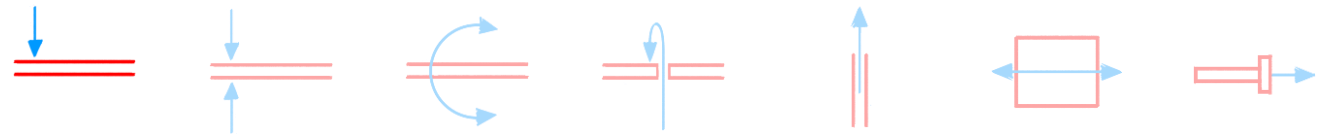
Inductive sensor diagram M12

Diagram for M12 inductive proximity switch

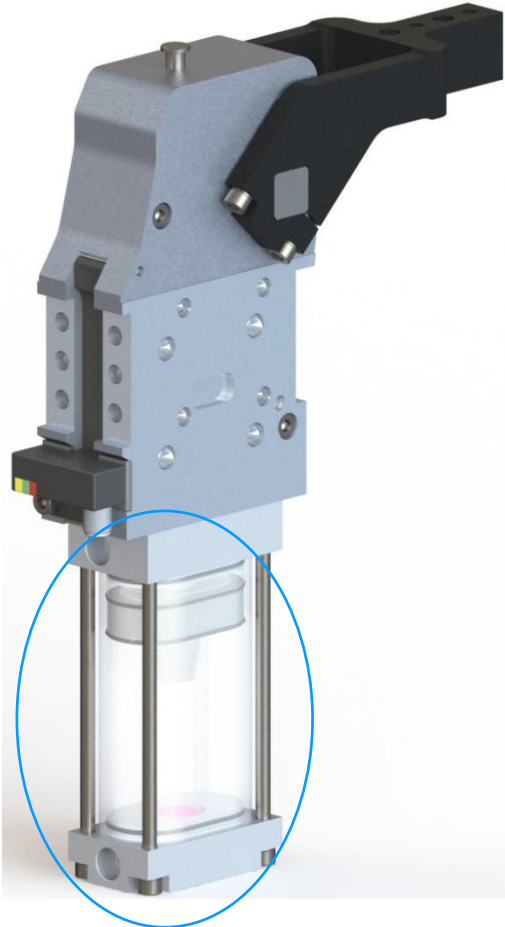
Specifications:

- Output Type: PNP;
- Supply voltage: 10-30 VDC;
- switching current: 150 mA;
- Current consumption: < 20mA;
- Voltage drop: < 1.8V
- Temperature range: -25° / 70° C.
-





Cushoning e Pneumatic Cylinder Connections

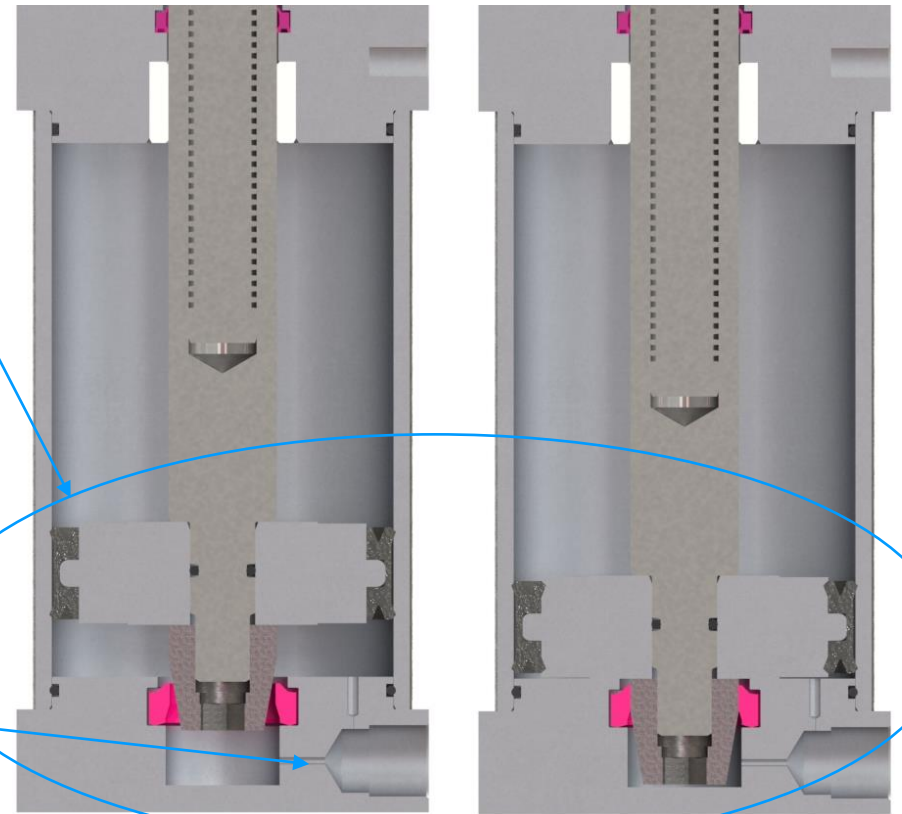


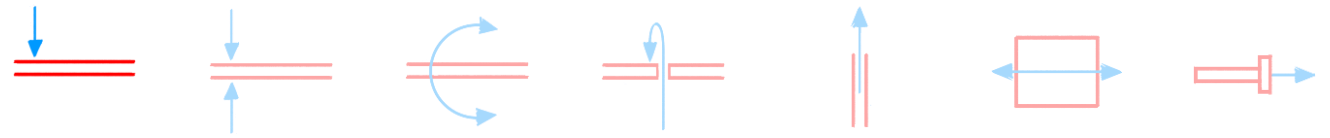
CPL/CPN 40-50-63-80

Integrated cushioning in the cylinder bottom head for a "controlled" end stroke

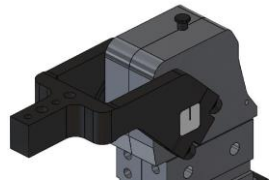
Modello Type	Coppia max. dal peso Max. torque By weight [2 Sec.]
CPL40	3,0 Nm
CPL50	6,5 Nm
CPL63	9,0 Nm
CPL80	14,0 Nm

Pneumatic Cylinder
connections GAS e NPT



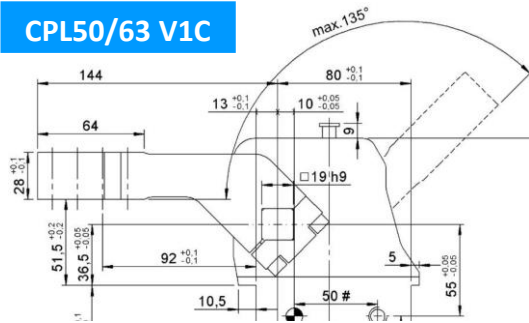


Arms (Examples D.50-63 - Offset 15mm-45mm + Naams)

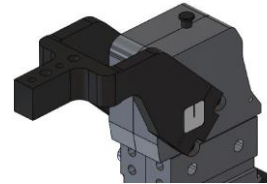
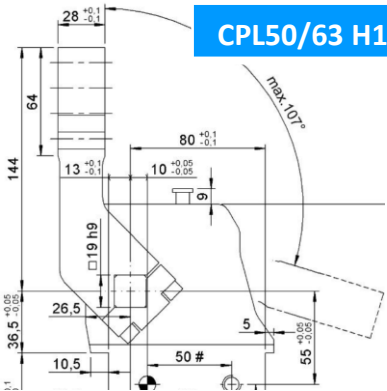


DIN-EU
Offset 15mm

CPL50/63 V1C

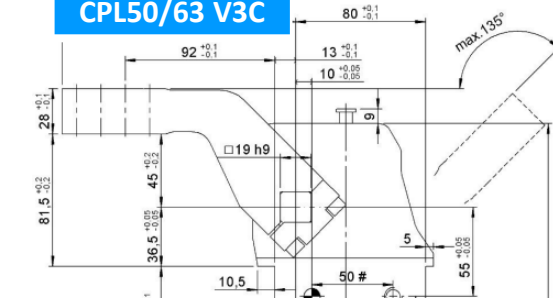


CPL50/63 H1C

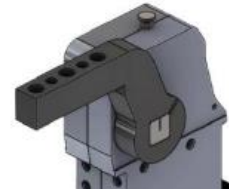
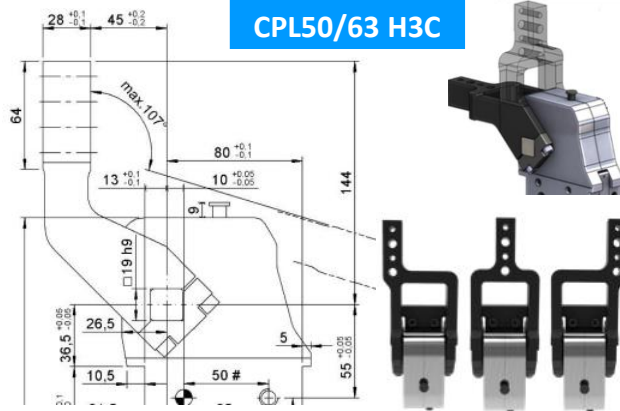


DIN-EU
Offset 45mm

CPL50/63 V3C

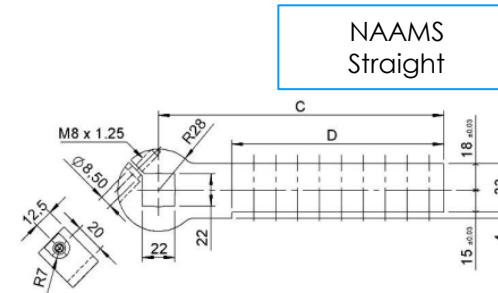


CPL50/63 H3C

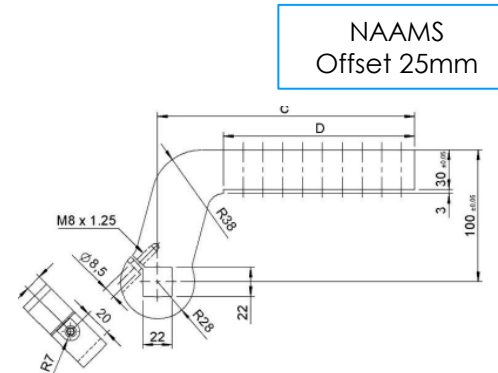


GLOBAL STANDARD COMPONENTS
NAAMS
Arms

CPN50/63 XXX



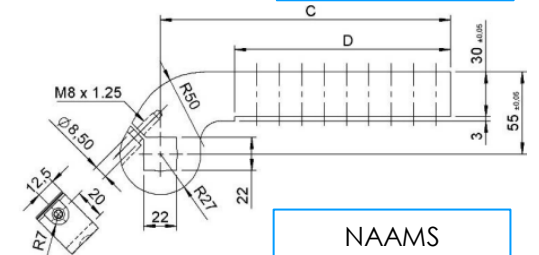
NAAMS
Straight



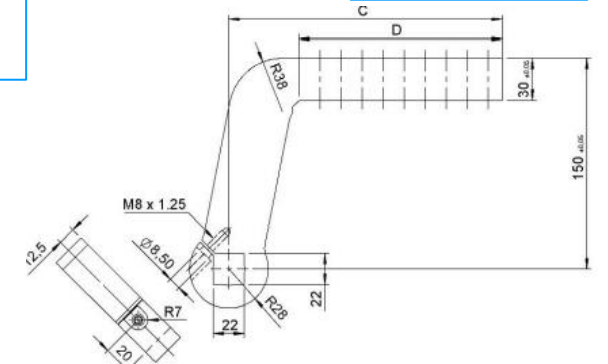
NAAMS
Offset 25mm

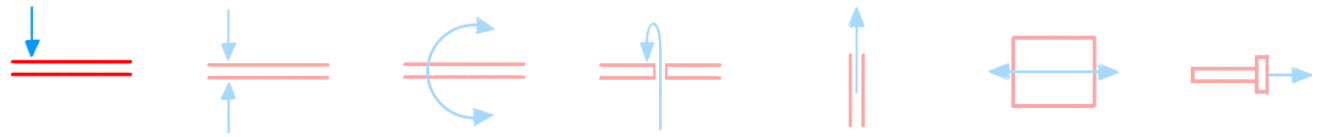
FURTHER VERSIONS AVAILABLE
FROM THE CATALOGUE
OR CONTACTING
VEP AUTOMATION

NAAMS
Offset 70mm

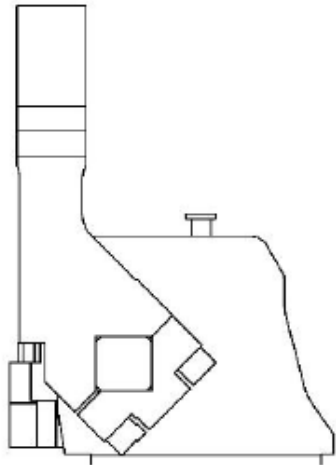


NAAMS
Offset 120mm

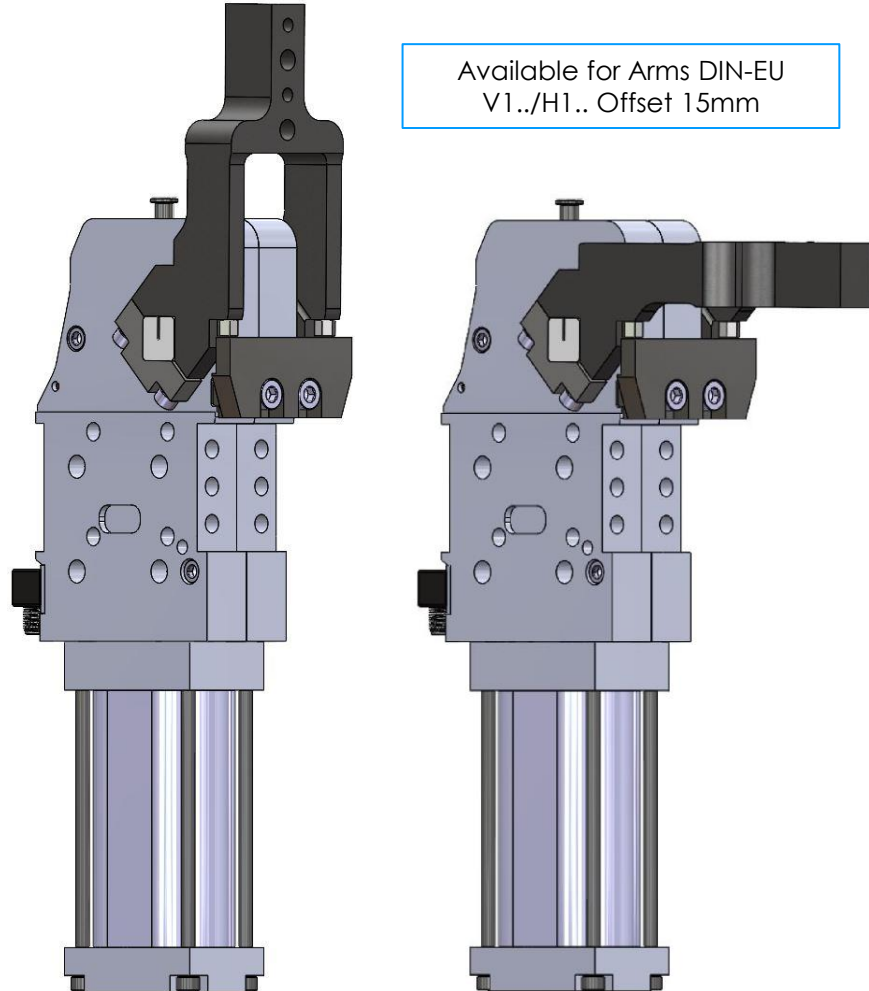




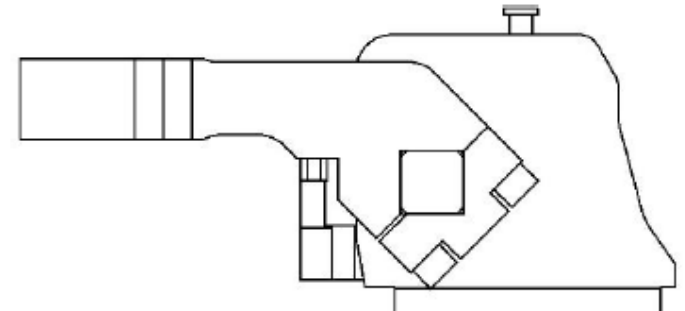
Arm Options (External Hard-Stop)



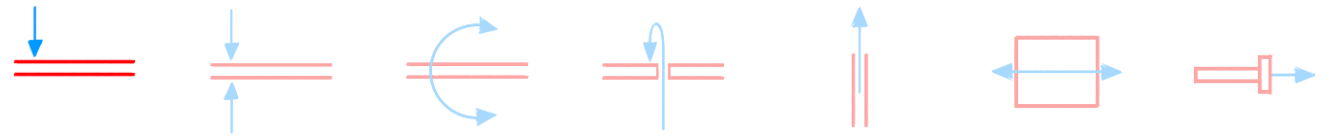
CPL50 T H1C ..
CPL63 T H1C ..



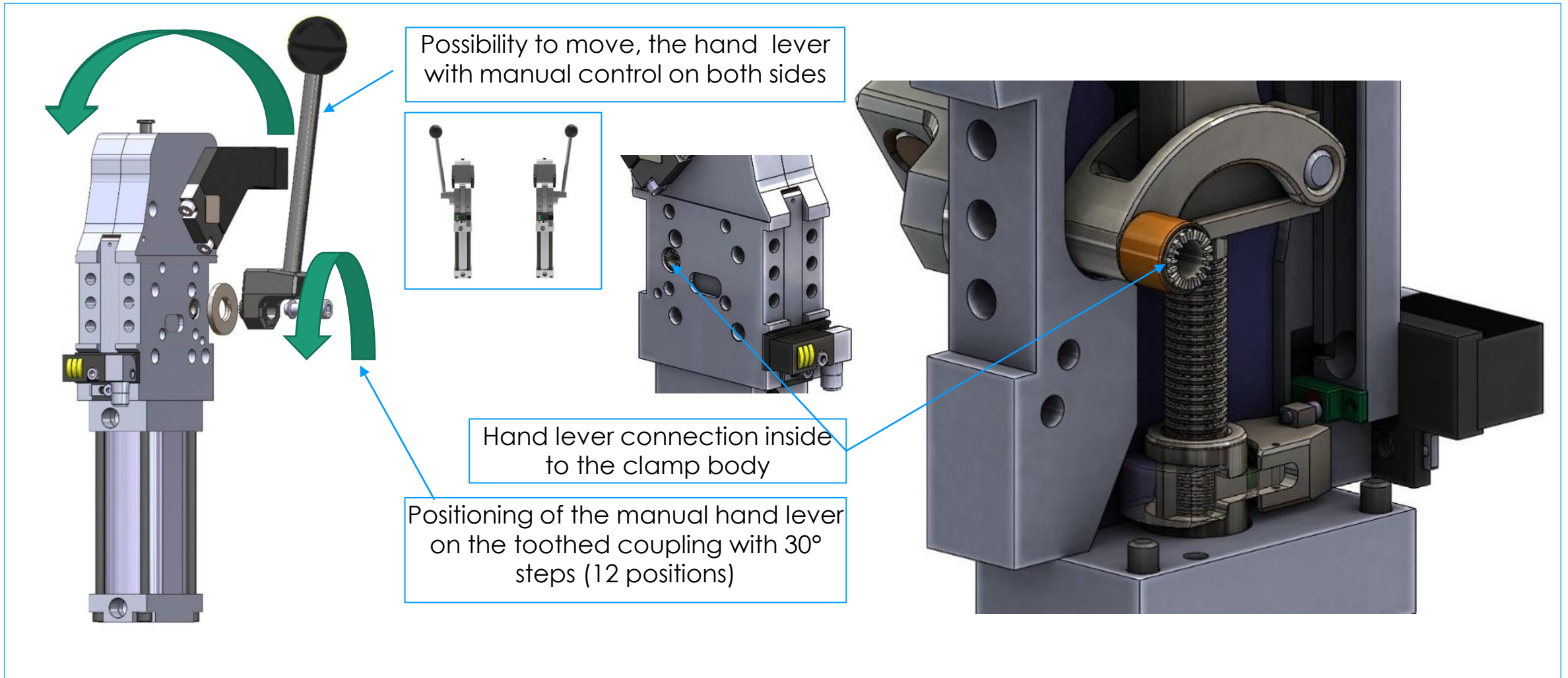
Available for Arms DIN-EU
V1../H1.. Offset 15mm

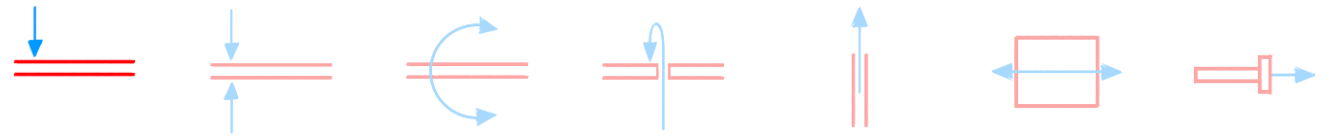


CPL50 T V1C ..
CPL63 T V1C ..

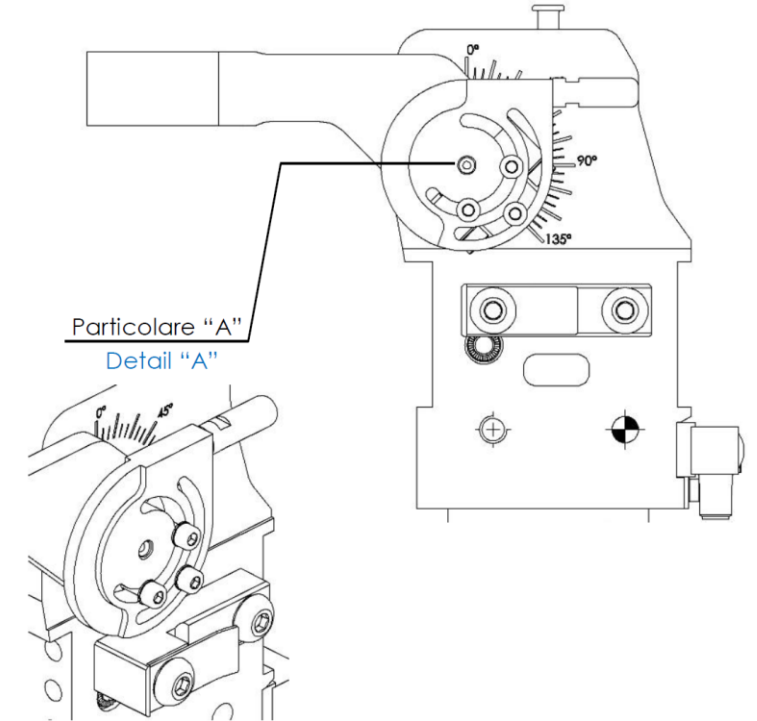
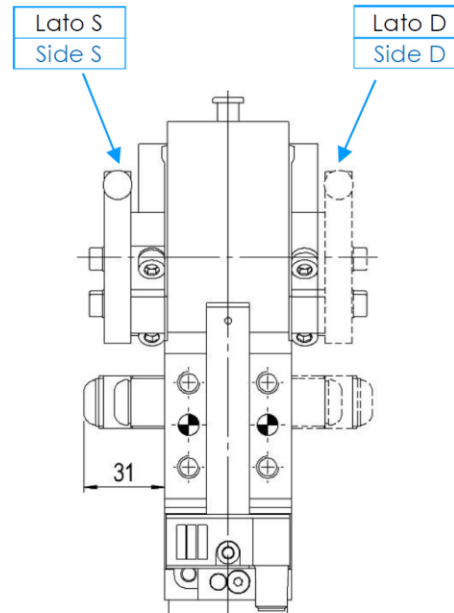
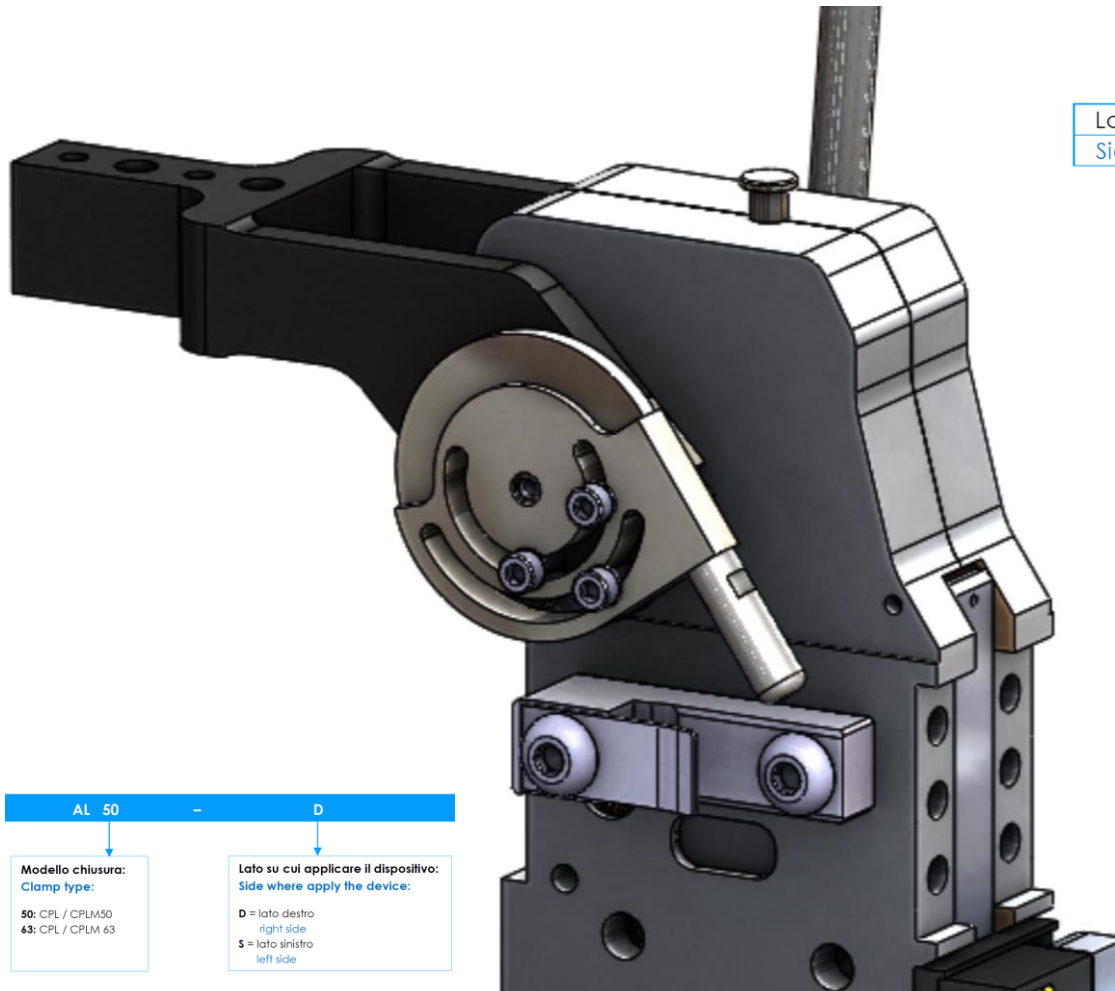


Hand Lever Manual control

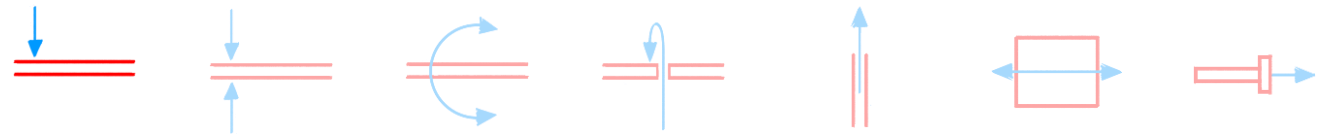




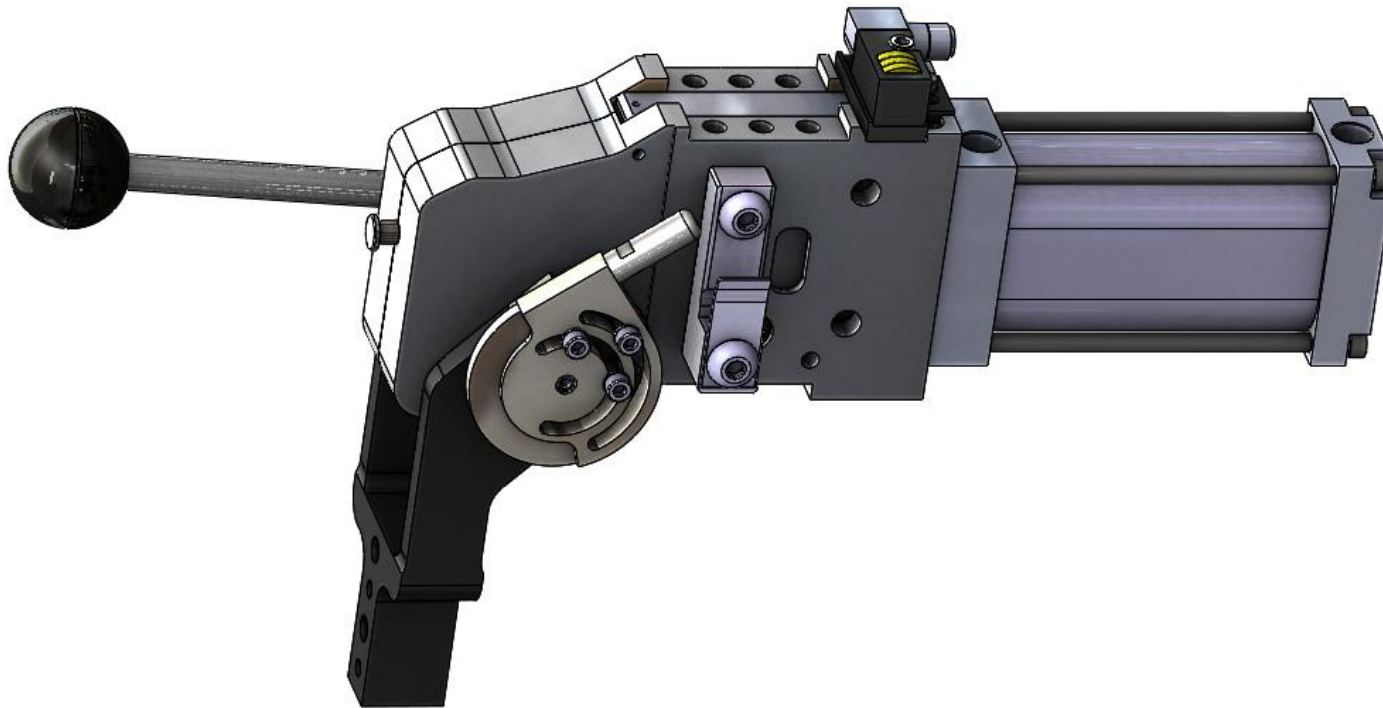
Options – Arms retainer (AL...)

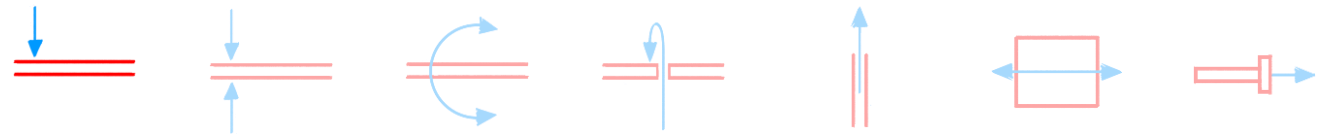


AL 50	-	D
Modello chiusura: Clamp type:		Lato su cui applicare il dispositivo: Side where apply the device:
50: CPL / CPLM50 63: CPL / CPLM 63		D = lato destro right side S = lato sinistro left side

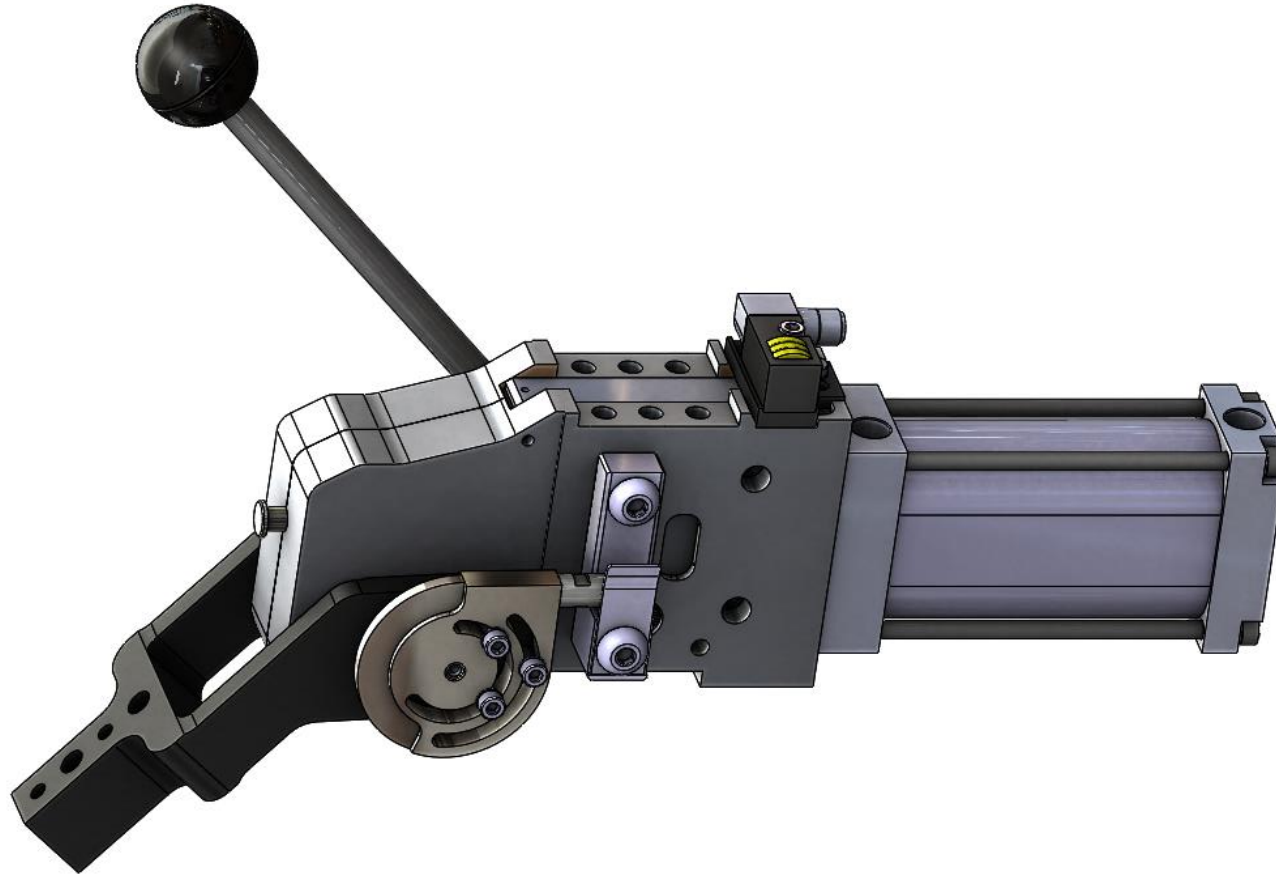


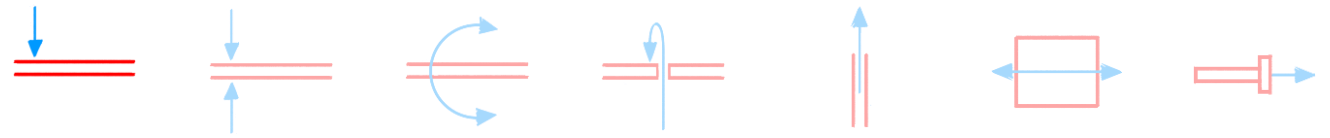
Options – Arms retainer (AL...)





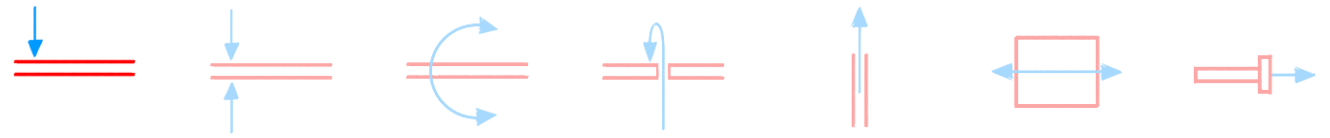
Options – Arms retainer (AL...)





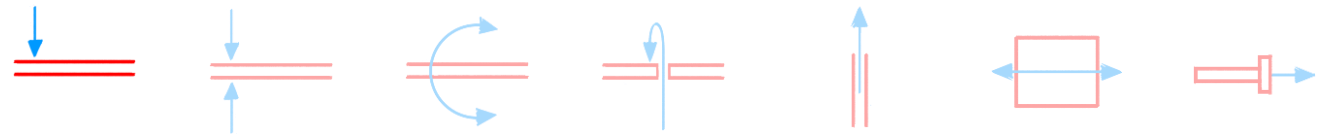
Applications picture



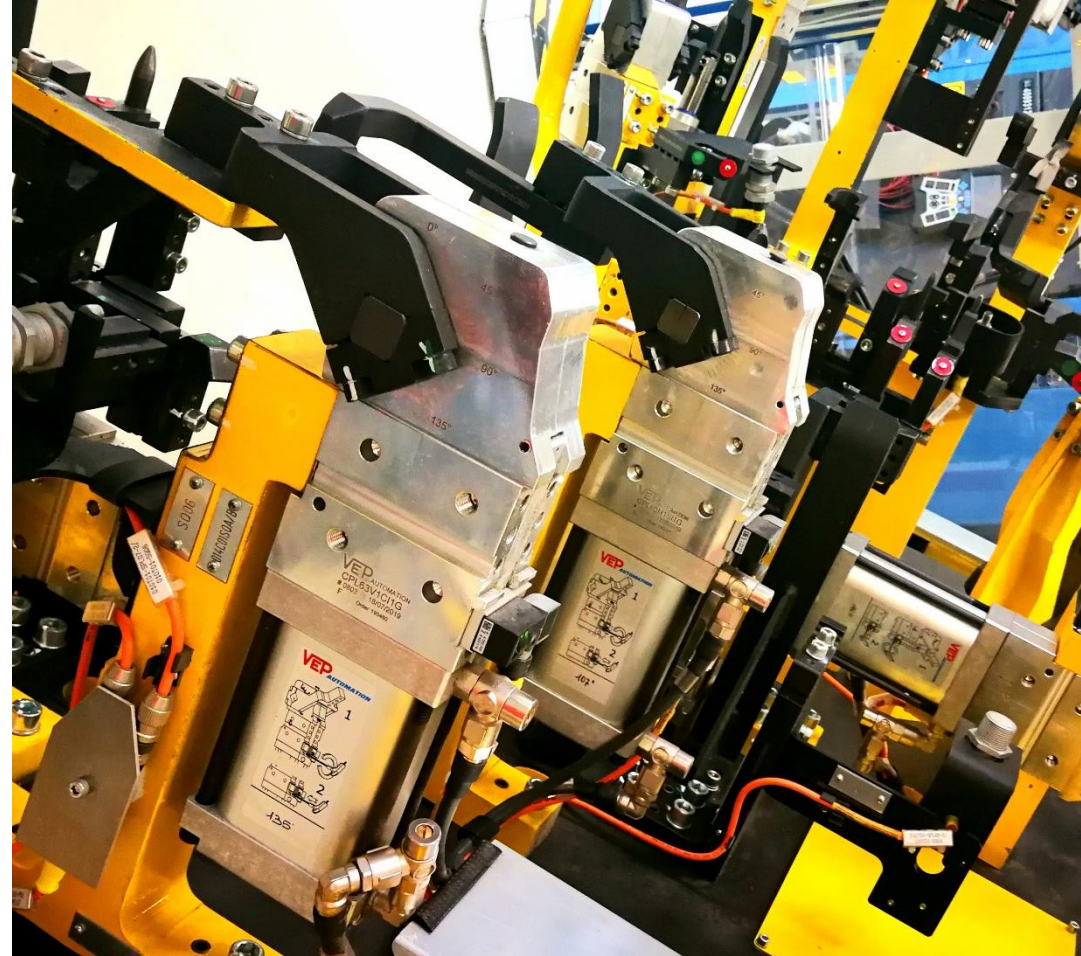


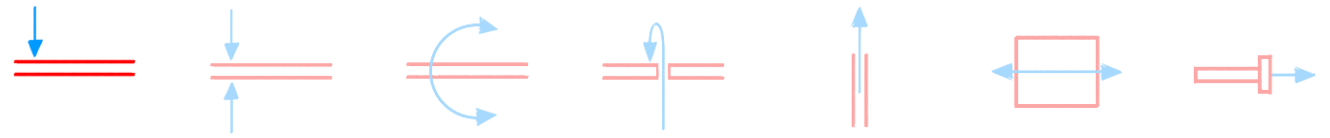
Applications picture





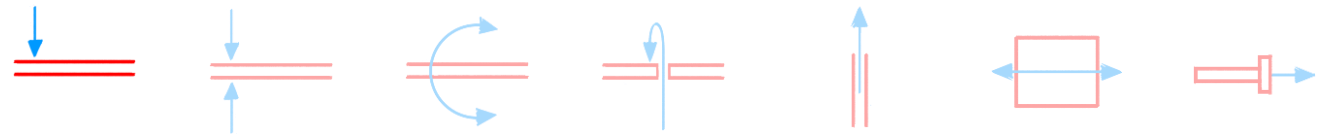
Applications picture





Pictures






Power Clamps – Complete Product Range

Chiusura Pneumatica
Pneumatic Clamp **CPR25**

VEP




Diam. 25mm
Clamp. 30Nm
Hold. 75Nm
Ang. 15-105°
Weight. 2,0Kg.

[PDF Catalogue](#)

Chiusura Pneumatica
Pneumatic Clamp **CPL40**

VEP



Diam. 40mm
Clamp. 140Nm
Hold. 380Nm
Ang. 2-135°
Weight. 2,2-2,7Kg.

[PDF Catalogue](#)

Chiusura Pneumatica
Pneumatic Clamp **CPL50/63**

VEP



EU Norm
Diam. 50/63mm
Clamp. 250/420Nm
Hold. 1.300/1.700Nm
Ang. 2,5-135°
Weight. 4,0/5,0Kg.

[PDF Catalogue](#)

Chiusura Pneumatica
Pneumatic Clamp **CPL80**

VEP




EU Norm
Diam. 80mm
Clamp. 1.000Nm
Hold. 2.500Nm
Ang. 3-135°
Weight. 14Kg.

[PDF Catalogue](#)

Chiusura Pneumatica
Pneumatic Clamp **CPR50/63**

VEP




HeavyDuty
SteelBody
Diam. 50/63mm
Clamp. 270/420Nm
Hold. 1.000
Ang. 15-120°
Weight. 5,0/5,5Kg.

[PDF Catalogue](#)

Chiusura Pneumatica
Pneumatic Clamp **DL63**

VEP

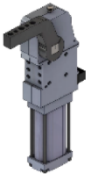


HeavyDuty
SteelBody
Diam. 63mm
Clamp. 400Nm
Hold. 600Nm
Ang. 45-90°
Weight. 10,0Kg.

[PDF Catalogue](#)

Chiusura Pneumatica
Pneumatic Clamp **CPN50/63**

VEP




NAAMS Standard
Diam. 50/63mm
Clamp. 250/420Nm
Hold. 1.300/1.700Nm
Ang. 2,5-135°
Weight. 4,0/5,0Kg.

NAAMS

[PDF Catalogue](#)

Chiusura Pneumatica
Pneumatic Clamp **CPN80**

VEP




NAAMS Standard
Diam. 80mm
Clamp. 1.000Nm
Hold. 2.500Nm
Ang. 3-135°
Weight. 11,5Kg.

NAAMS

[PDF Catalogue](#)

Chiusura Manuale
Manual Clamp **MC**

VEP



HeavyDuty
SteelBody
Manual
Hold. 160Nm
Ang. 60-120°
Weight. 4,3Kg.

[PDF Catalogue](#)



CLAMPING TECHNOLOGIES SINCE 1966



Link to Download the Product Range

● **ITALY / Turin**
VEP Automation Headquarter

VEP Automation S.r.l
Via San Felice, 37
10092 Beinasco – Torino (Italy)
Tel. +39 011 3972572 - Fax : +39 011 3972612
E-mail: info@vepautomation.it
Web: www.vepautomation.it

● **USA / Bradenton**
VEP Automation USA

Bumar International Inc.
5107 Lena Road Unit 101
Bradenton, FL 34202 (USA)
Tel. +1 941 400 0148
E-mail: sales@bumarinternational.com
Web: www.vepautomation.com

● **SPAIN / Elgoibar**
VEP Automation Spain

Miguel Angel Ruiz de Gauna
20870 Elgoibar - Gipuzkoa (Spain)
Mob. +34 607 958 870
E-mail: miguel.angel@vepautomation.it
Web: www.vepautomation.com

● **TURKEY / Okmeydanı**
VEP Automation Turkey

SERVOKontrol Ltd
Perpa Ticaret Merkezi B Blok Kat : 11 No
1609 Okmeydanı / İstanbul (Turkey)
Tel. +90 212 320 30 80
Mob. +90 533 559 98 73
E-mail: celasin.telli@servokontrol.com
Web: www.vepautomation.com

● **GERMANY / Emden**
VEP Automation Germany

VEP Automation GmbH
Fritz Liebsch Str. 29
D 26723 Emden (Germany)
Tel. +49 04921 450758
E-mail: info@vepautomation.de
Web: www.vepautomation.de

● **CANADA & North USA / Newmarket**
VEP Automation CANADA & North USA

Martech Sales & Associates Inc.
1111 Davis Dr., Unit 1
Newmarket, Ontario (Canada) L3Y 9E
Tel. +1 905 716 5856
E-mail: info@martechsales.com
Web: www.vepautomation.com

● **FRANCE / Valence**
VEP Automation France

TTR Technologies Sarl
4, rue Georges Auric
26000 Valence (France)
Tel. +33 671581401
E-mail: jeromevernet.ttr@gmail.com
Web: www.vepautomation.com

● **CHINA / Suzhou**
VEP Automation China

VEP Automation (Suzhou) Co., Ltd
维亿普自动化 (苏州) 有限公司
Room 401, Building No 1, Liando U Valley,
No 317, Mudong Road, Mudu Town,
Wuzhong District, 215156 Suzhou City (China)
Tel.: +86 512 6729 2226
E-mail: info@vepautomation.cn
Web: www.vepautomation.cn

● **BRAZIL / Santo André**
VEP Automation Brazil

Special Springs do Brasil Ltda
Avenida Dom Pedro I,
2156 – Santo André - SP CEP. 09130-012 (Brazil)
Tel. +55 11 2324 3545
Fax. +55 11 98315 8398
E-mail: andre@specialsprings.com.br
Web: www.vepautomation.com

● **POLAND / Przeźmierowo**
VEP Automation Poland

Metal Work Polska Sp. z o.o.
ul. Szamotulska 1, Baranowo
62-081 Przeźmierowo (Poland)
Tel: +48 61 650 18 40
Fax: +48 61 650 18 49
E-mail: metalwork@metalwork.pl
Web: www.vepautomation.com

● **INDIA / Bangalore**
VEP Automation India

Klampie Hydraulic
No. 33. 1ST Cross, ITI Layout,
Nayandahalli, Chandra Layout,
560 039 Bangalore, Karnataka (India)
Tel. +91 90 1919 1518
E-mail: sales@klampiek.com
Web: www.vepautomation.com

● **MEXICO / Ciudad de México**
VEP Automation America

VEP Automation de America S.A. de C.V.
Av. Toluca 373 – 3A Col. Olivar de los
Padres Del. Álvaro Obregón
01780 CDMX – (Ciudad de México)
Tel. +52 55 1718 0929
E-mail: info@vepautomation.mx
Web: www.vepautomation.mx

● **Portugal / Azeitão**
VEP Automation Portugal

Mundiwell, Unipessoal Lda
Rua Sophia de Mello Breyner
Andresen N° 132
2925-042 Azeitão
(Portogallo)
Tel. +351 212 105 398
E-mail: e.marfins@mundiwell.pt
Web: www.vepautomation.com

● **TURKEY / Başakşehir**
VEP Automation Turkey

**GERDEM MAKINA VE OTOMASYON
SANAYI TICARET LTD. STI**
Ikitelli Organize Sanayi Bölgesi Muhsan
San Sitesi M12 Blok No:16-20-22
34306 Başakşehir - İstanbul (Turkey)
Tel. +90 212 486 1744
E-mail: info@gerdem.com.tr
Web: www.vepautomation.com

● **INDIA / Pune**
VEP Automation India

Swiffin Agencies LLP
Plot no. BGP 10/12, Near Appu service
station, Bsnl chowk, Midc Bhosari
411026 Pune (India)
Tel. +91 98 1995 6
E-mail: bdsales@swiffindustrial.in
Web: www.vepautomation.com