
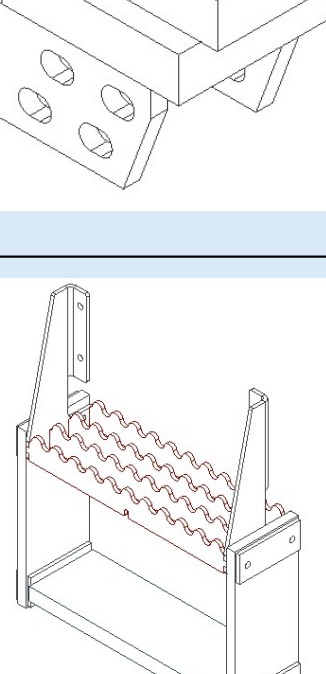
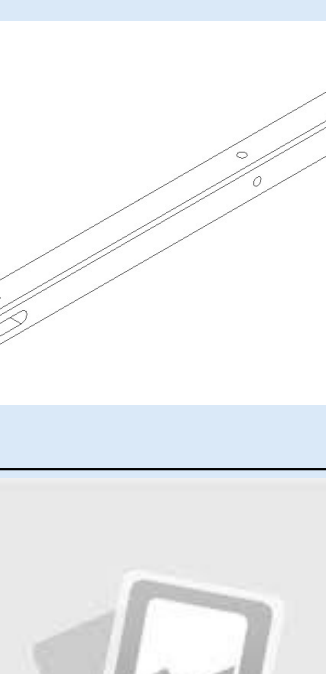
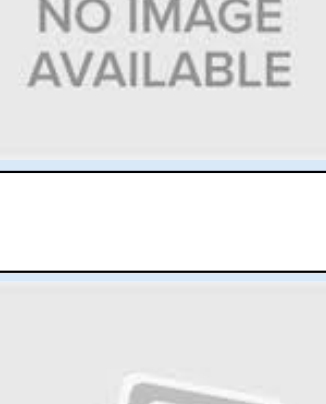


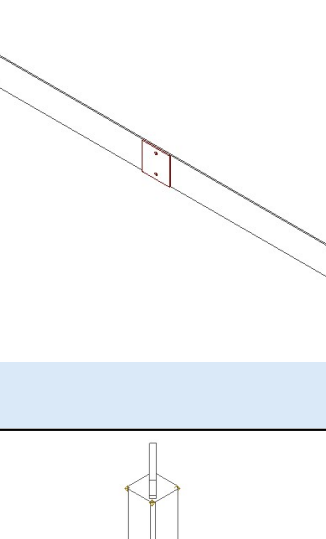
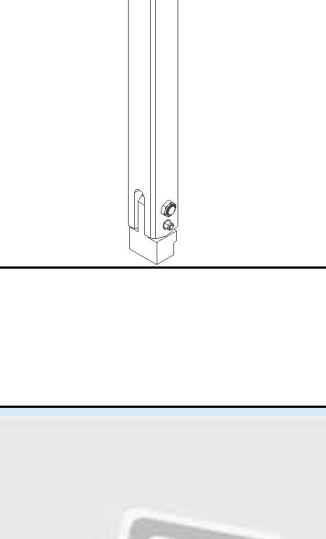
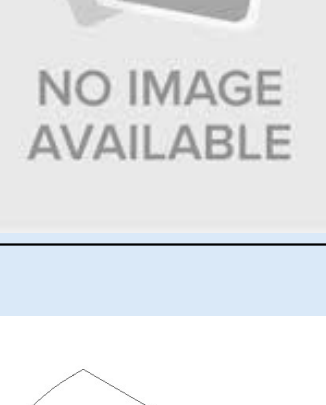
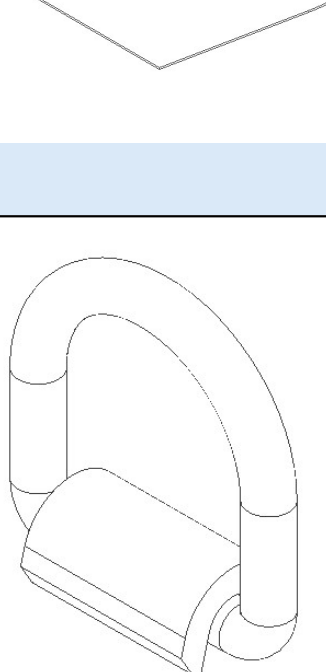
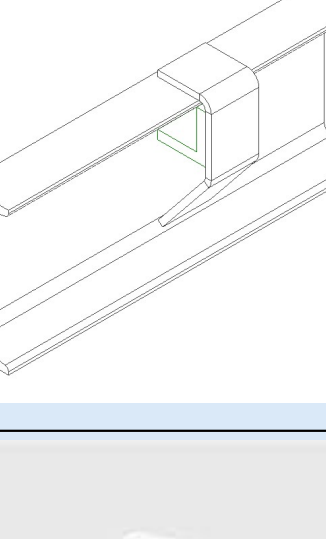

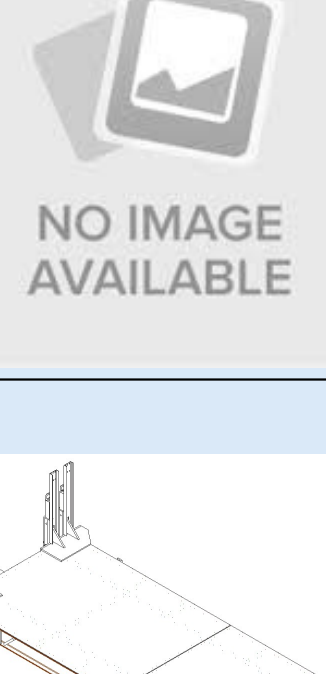
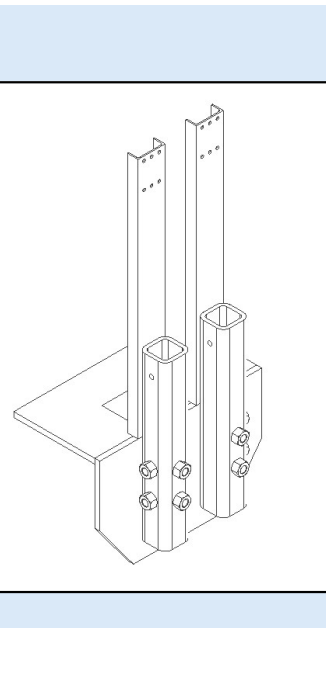
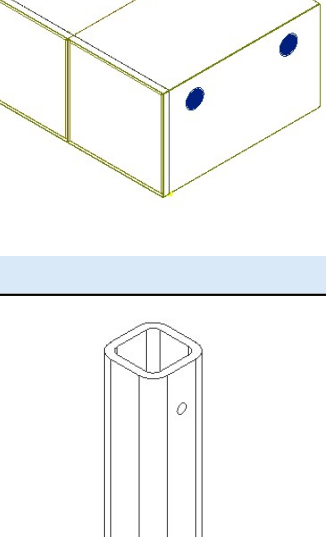
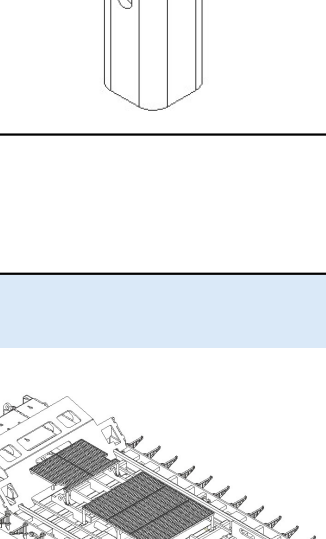
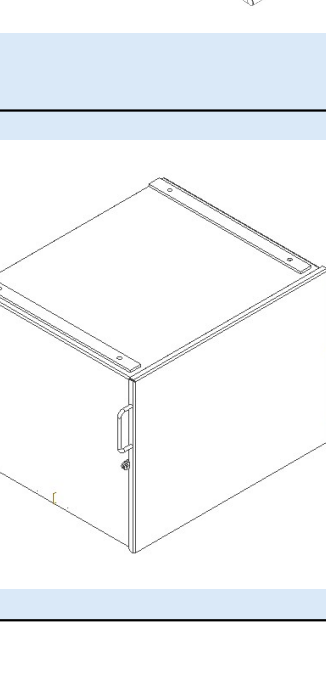




		CSX Number	All Trailer Work(ET/30kPC/BackhoeTrailer)etc.	
FMC	3701	090.4000510.1	Push Truck Material Kit	 NO IMAGE AVAILABLE
FMC	3702	090.0003702.1	Foot Clip Knocker Inserter Clip Inserter Foot (Knocker) CLIP KNOCKER FEET	
FMC	3703	090.3703000.1	Step Push Trailer Rigid 30,000 Pound Trailer Step Fab	
FMC	3704	090.9003704.1	Clip knocker Bar	
FMC	3705	090.1003705.1	HRMH 135 Push Cart Trailer 2016	 NO IMAGE AVAILABLE
FMC	3706	090.0370600.1	Push Cart Trailer Rubber Mount Step	 NO IMAGE AVAILABLE
FMC	3707	Requested 4/29	Hide away handle Ball Spring Pin replacement	 NO IMAGE AVAILABLE
FMC	3708	090.9003708.1	ET Trailer Deck Board Kit	 NO IMAGE AVAILABLE
FMC	3709	Not Assigned	ET Trailer Tie Plate Set	
FMC	3710	090.3710000.1	Clip Knocker Bar with Foot Assy	
FMC	3711	090.3711000.1	Handwinch for Lifting Clip Knocker Bar	 NO IMAGE AVAILABLE
FMC	3712	090.3712000.1	ET Tool Box Bottom	
FMC	3713	090.3713000.1	ET D-Ring	
FMC	3714	090.3714000.1	ET D-Ring Angle Holder	
FMC	3715	090.3715000.1	ET 2016 FAB Kit	 NO IMAGE AVAILABLE
FMC	3716	090.0003716.1	ET Strap Wood Deck Hold Down Bar (8'-5" x 4" x 1/2" Thick)	 NO IMAGE AVAILABLE
FMC	3717	090.0003717.1	20 Ton Cart (Clip Knocker / Storage Box Style)	
FMC	3718	090.0003718.1	Clip Knocker Receiver / Mounting Weldment w/ Bars/ Feet	
FMC	3719	090.0003719.1	Clip Knocker Cart Custom Storage Box	
FMC	3720	Not Assigned	Clip Knocker Tube receiver only	
FMC	3721	090.0003721.1	CAT 336 Excavator Trailer Cart	
	3722	Not Assigned	ET PARTS TRAILER, UNDERCARRIAGE STORAGE BOX	